



US00D791417S

(12) **United States Design Patent** (10) **Patent No.:** **US D791,417 S**  
**Le** (45) **Date of Patent:** **\*\* Jul. 4, 2017**

(54) **POOP CATCHER**

(71) Applicant: **Son Le**, Aurora, CO (US)

(72) Inventor: **Son Le**, Aurora, CO (US)

(\*\*) Term: **15 Years**

(21) Appl. No.: **29/575,598**

(22) Filed: **Aug. 26, 2016**

(51) **LOC (10) Cl.** ..... **30-99**

(52) **U.S. Cl.**  
USPC ..... **D30/162; D30/161**

(58) **Field of Classification Search**  
USPC ..... D30/161, 162, 151, 144, 140, 137, 106,  
D30/199; 119/867, 868, 161, 163, 164,  
(Continued)

(56) **References Cited**

U.S. PATENT DOCUMENTS

2,421,740 A \* 6/1947 Birch, Jr. .... B65B 67/12  
248/101  
2,595,597 A \* 5/1952 Morseth ..... A01K 77/00  
16/429

(Continued)

*Primary Examiner* — Susan Moon Lee

(74) *Attorney, Agent, or Firm* — Patent Law Offices of Rick Martin, P.C.

(57) **CLAIM**

The ornamental design for a poop catcher, as shown and described.

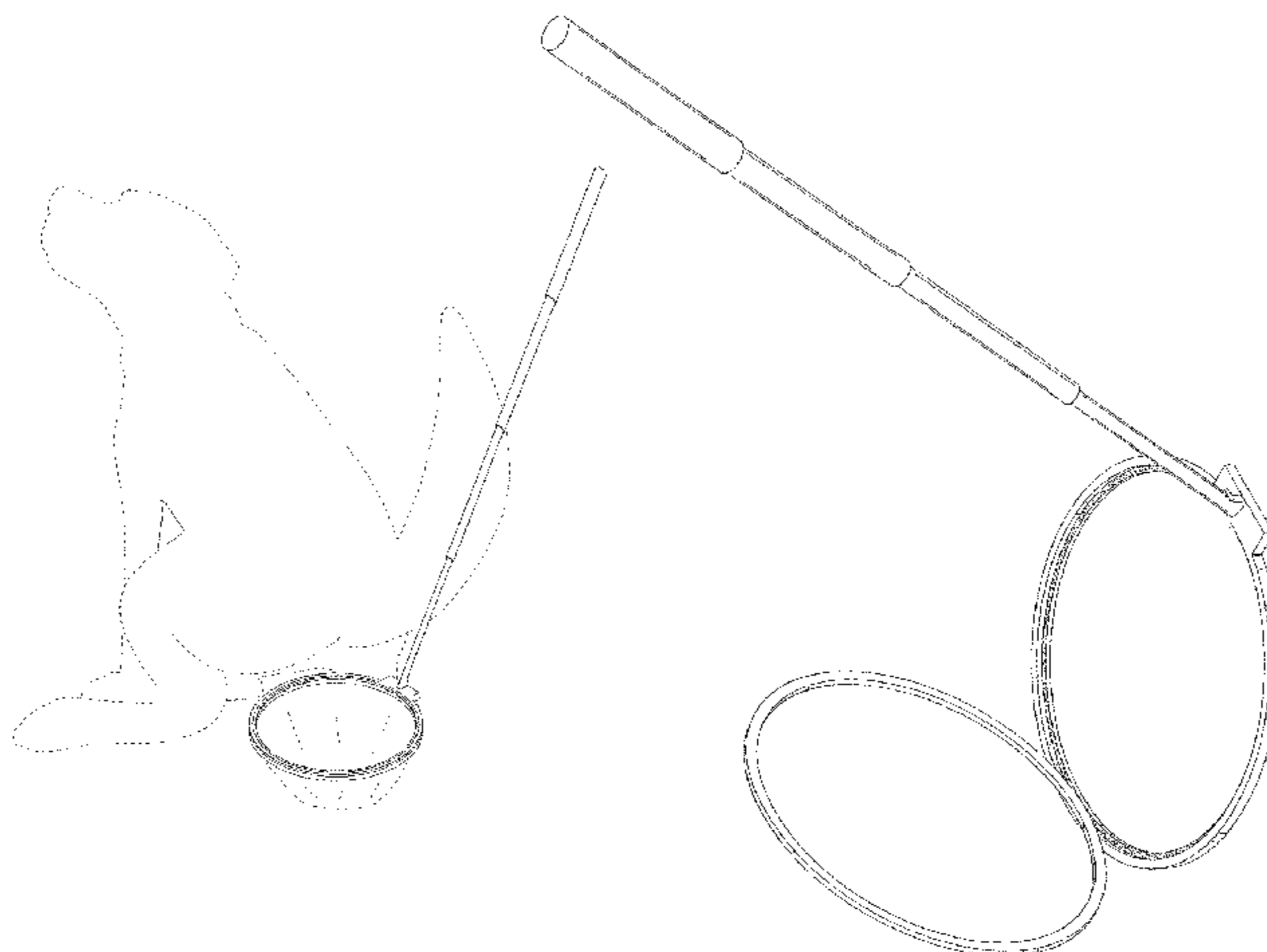
**DESCRIPTION**

FIG. 1 is a top perspective view of a poop catcher in accordance with my new design, shown in use;  
FIG. 2 is an enlarged, partial side elevation view of the circular retaining frame and handle neck portion of the poop catcher of FIG. 1;

FIG. 3 is an enlarged, partial side elevation view of the handle of the poop catcher of FIG. 1;  
FIG. 4 is a front elevation view of the poop catcher;  
FIG. 5 is a rear elevation view thereof;  
FIG. 6 is an enlarged, partial top plan view of the circular retaining frame and handle neck portion of the poop catcher;  
FIG. 7 is an enlarged, partial top, rear view of the upper handle portion of the poop catcher;  
FIG. 8 is a bottom view of the poop catcher;  
FIG. 9 is an enlarged, partial bottom, rear perspective view of the circular retaining frame and handle neck portion of the poop catcher;  
FIG. 10 is an enlarged, partial rear perspective view of the upper handle portion of the poop catcher;  
FIG. 11 is an enlarged, partial front top perspective view of the circular retaining frame and handle neck portion of the poop catcher, shown in use;  
FIG. 12 is an enlarged, partial perspective view of the upper handle portion of the poop catcher;  
FIG. 13 is a rear, side perspective view of the poop catcher, shown in an open configuration;  
FIG. 14 is an enlarged, partial side elevation view of the circular retaining frame and handle neck portion, shown in an open configuration;  
FIG. 15 is a partial side view of the upper handle portion of the poop catcher;  
FIG. 16 is a front elevation view of the poop catcher, shown in an open configuration;  
FIG. 17 is a rear elevation view thereof;  
FIG. 18 is an enlarged, partial top plan view of the circular retaining frame and handle neck portion of the poop catcher, shown in an open configuration;  
FIG. 19 is an enlarged, partial rear, top view of the upper handle portion of the poop catcher; and,  
FIG. 20 is a bottom view of the poop catcher, shown in an open configuration.

The exemplary broken line depiction of a dog in FIG. 1, is for environmental illustration purposes only, and forms no part of the claimed design. The illustrative broken line showing of a bag and neck-inserted element, throughout the drawings, depicts exemplary components which might be used in conjunction with the poop catcher, and forms no part of the claimed design.

**1 Claim, 15 Drawing Sheets**



# US D791,417 S

(58) **Field of Classification Search**  
 USPC ..... 119/170, 717, 712; 294/1.3-1.5, 214;  
 43/7-12; 15/257.1, 257.7; 206/496;  
 383/33, 34, 34.1, 6, 12, 13, 68; 30/99;  
 D32/74, 49; D8/14, 106, 107, 499  
 CPC .... A01K 23/00; A01K 23/005; E01H 1/1206;  
 E01H 1/1213; E01H 1/12; E01H  
 2001/122; E01H 2001/1226; E01H  
 2001/1233; E01H 2001/128; E01H  
 2001/1286; E01H 2001/1293; E01H  
 2001/1273; E01H 2001/126  
 See application file for complete search history.

(56) **References Cited**

U.S. PATENT DOCUMENTS

2,653,403 A \* 9/1953 Oslund ..... A01K 77/00  
 43/11  
 3,001,324 A \* 9/1961 Walker ..... A63H 33/02  
 446/450  
 3,823,365 A \* 7/1974 Anderson ..... G01V 3/107  
 324/236  
 3,872,831 A \* 3/1975 Cassidy ..... A01K 23/005  
 248/101  
 4,012,067 A \* 3/1977 Travis ..... E01H 1/1206  
 294/1.4  
 4,021,994 A \* 5/1977 Mainprice ..... B65B 67/1238  
 248/101  
 4,034,710 A \* 7/1977 Carter ..... A01K 77/00  
 119/203  
 D246,006 S \* 10/1977 Burr ..... D21/457  
 4,058,337 A \* 11/1977 Isac ..... E01H 1/1206  
 294/1.4  
 4,103,953 A \* 8/1978 Lachance ..... A01K 23/005  
 294/1.4  
 4,146,260 A \* 3/1979 Carrington ..... A01K 23/005  
 294/1.5  
 4,262,948 A \* 4/1981 Emme ..... A01K 23/005  
 294/1.5  
 4,323,847 A \* 4/1982 Karbowski ..... G01V 3/15  
 324/327  
 4,516,704 A \* 5/1985 Hagman ..... A47G 25/905  
 223/111  
 4,852,924 A \* 8/1989 Ines ..... A01K 23/005  
 294/1.5  
 4,913,677 A \* 4/1990 Brasier ..... A63H 33/02  
 446/453  
 5,131,704 A \* 7/1992 Li ..... A01K 23/005  
 294/1.4  
 D340,752 S \* 10/1993 Flynn ..... D21/722  
 D360,918 S \* 8/1995 Carlson ..... D21/721  
 D365,913 S \* 1/1996 Ballard ..... D2/641  
 5,588,622 A \* 12/1996 Gordon, Sr. .... B65B 67/1238  
 24/30.5 R  
 5,634,678 A \* 6/1997 Bailey ..... A01K 23/005  
 294/1.5  
 5,676,411 A \* 10/1997 Kwok ..... A01K 23/005  
 294/1.5  
 5,683,129 A \* 11/1997 Jensen ..... A01K 23/005  
 294/1.5  
 5,718,469 A \* 2/1998 Ockerman ..... E01H 1/1206  
 248/101  
 D396,079 S \* 7/1998 Coon ..... D21/722  
 5,778,826 A \* 7/1998 Dillon ..... A01K 29/00  
 119/717  
 5,840,188 A \* 11/1998 Kirsgalvis ..... B01D 29/23  
 210/448  
 5,971,452 A \* 10/1999 Marymor ..... A01K 23/005  
 294/1.5  
 D417,320 S \* 11/1999 Nunez ..... D30/162  
 6,032,399 A \* 3/2000 DePoe ..... A01K 77/00  
 43/12  
 6,086,022 A \* 7/2000 Dalton ..... B65F 1/1415  
 248/101

6,149,214 A \* 11/2000 Kipka ..... A01K 23/005  
 294/1.5  
 6,333,631 B1 \* 12/2001 Das ..... F41H 11/12  
 250/392  
 6,386,606 B1 \* 5/2002 Marshall ..... A01K 23/005  
 15/257.4  
 6,416,023 B1 \* 7/2002 Satsky ..... B65B 67/12  
 248/99  
 6,485,073 B2 \* 11/2002 Harrison ..... E01H 1/1206  
 294/1.4  
 6,517,034 B1 \* 2/2003 Kinchen ..... B65B 67/1238  
 248/100  
 6,541,965 B1 \* 4/2003 Binder ..... G01V 3/104  
 324/232  
 6,554,335 B1 \* 4/2003 Kelly ..... A01K 23/005  
 294/15  
 6,688,562 B1 \* 2/2004 Harvey ..... B65B 67/1233  
 248/99  
 6,942,264 B1 \* 9/2005 Mendez ..... A01K 23/005  
 294/1.5  
 7,128,352 B1 \* 10/2006 Phippen ..... A01K 23/005  
 119/161  
 D533,792 S \* 12/2006 Johnson ..... D10/47  
 D537,893 S \* 3/2007 Freeland ..... D21/722  
 7,244,201 B2 \* 7/2007 Hale ..... A63B 67/002  
 273/129 R  
 7,258,076 B1 \* 8/2007 Gantt ..... A01K 1/011  
 119/161  
 7,269,921 B2 \* 9/2007 Lee ..... A01K 77/00  
 43/12  
 D564,518 S \* 3/2008 Vandaele ..... D14/230  
 7,395,629 B1 \* 7/2008 Thomas ..... A01K 77/00  
 43/11  
 7,407,207 B2 \* 8/2008 Yilmaz ..... A01K 23/005  
 294/1.4  
 D587,412 S \* 2/2009 Oka ..... D30/162  
 D613,915 S \* 4/2010 Plotkin ..... D30/162  
 7,753,053 B2 \* 7/2010 Dillon ..... A01K 15/003  
 119/717  
 7,891,132 B2 \* 2/2011 Hetzner ..... A01K 77/00  
 210/238  
 7,934,337 B1 \* 5/2011 Lambert ..... A01K 77/00  
 43/11  
 D645,216 S \* 9/2011 Silas ..... D30/162  
 8,123,266 B1 \* 2/2012 Jone ..... A01K 23/005  
 294/1.4  
 8,146,967 B1 \* 4/2012 Brown ..... A01K 23/005  
 294/1.5  
 D662,268 S \* 6/2012 Pearcey ..... D30/162  
 8,632,109 B2 \* 1/2014 Zidulka ..... A01K 23/005  
 294/1.4  
 8,684,429 B1 \* 4/2014 Holub ..... E01H 1/1206  
 294/1.4  
 9,041,401 B2 \* 5/2015 Andel ..... G01V 3/15  
 324/326  
 D745,145 S \* 12/2015 Bivens ..... D24/128  
 D763,520 S \* 8/2016 Runyan ..... D30/162  
 9,538,727 B2 \* 1/2017 Coba ..... A01K 23/005  
 9,609,849 B1 \* 4/2017 Hyman, Jr. .... A01K 23/005  
 2002/0053807 A1 \* 5/2002 Clements ..... A01K 23/005  
 294/1.5  
 2002/0096895 A1 \* 7/2002 McCarthy ..... A01K 23/005  
 294/1.5  
 2002/0140240 A1 \* 10/2002 Charette ..... A01K 23/005  
 294/1.5  
 2004/0201232 A1 \* 10/2004 Borman ..... A01K 23/005  
 294/1.5  
 2005/0062476 A1 \* 3/2005 Stamatescu ..... G01V 3/15  
 324/327  
 2006/0001281 A1 \* 1/2006 Hubert ..... A01K 23/005  
 294/1.5  
 2006/0157995 A1 \* 7/2006 Cafferty ..... A01K 23/005  
 294/1.5  
 2006/0232083 A1 \* 10/2006 Kamenkovich ..... A01K 23/005  
 294/1.5

(56)

References Cited

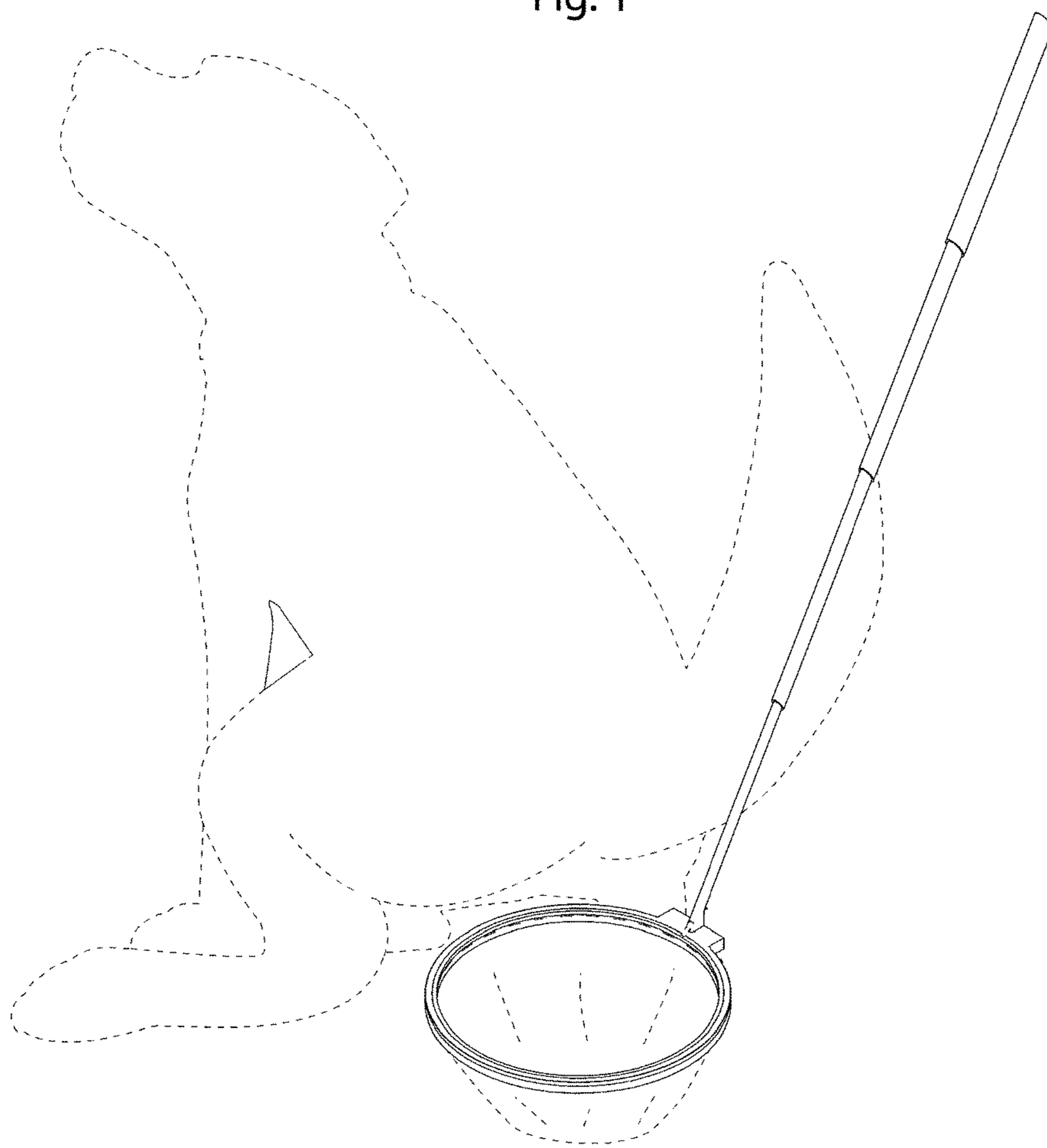
U.S. PATENT DOCUMENTS

2006/0237977 A1\* 10/2006 Krieger ..... E01H 1/1206  
294/1.4  
2007/0029828 A1\* 2/2007 Pilas ..... A01K 23/005  
294/1.5  
2007/0176444 A1\* 8/2007 Pilas ..... A01K 23/005  
294/1.5  
2007/0222240 A1\* 9/2007 Sherman ..... A01K 23/005  
294/1.5  
2008/0017121 A1\* 1/2008 Mauro ..... A01K 27/006  
119/161  
2008/0116704 A1\* 5/2008 Botello ..... A01K 23/005  
294/1.5  
2008/0179522 A1\* 7/2008 Vallon ..... G01T 1/167  
250/336.1  
2008/0297158 A1\* 12/2008 Heger ..... G01V 3/107  
324/326  
2009/0045639 A1\* 2/2009 Shalhoub ..... A01K 23/005  
294/1.5  
2009/0096227 A1\* 4/2009 Pender ..... A01K 23/005  
294/1.5  
2009/0102211 A1\* 4/2009 Antar ..... A01K 23/005  
294/1.3  
2009/0102212 A1\* 4/2009 Casper ..... A01K 23/005  
294/1.4  
2010/0072765 A1\* 3/2010 Granado ..... A01K 23/005  
294/1.4  
2011/0057463 A1\* 3/2011 Chen ..... A01K 23/005  
294/1.4

2011/0290956 A1\* 12/2011 Saue ..... B65B 67/1233  
248/99  
2012/0049548 A1\* 3/2012 Williams ..... A01K 23/005  
294/1.5  
2012/0223537 A1\* 9/2012 Yip ..... A01K 23/005  
294/1.5  
2013/0009412 A1\* 1/2013 Powell ..... A01K 23/005  
294/1.5  
2013/0082470 A1\* 4/2013 Seiko ..... A01K 23/005  
294/1.5  
2013/0249224 A1\* 9/2013 Ng ..... E01H 1/1206  
294/1.4  
2014/0033983 A1\* 2/2014 Beatrez ..... A01K 1/0107  
119/161  
2015/0216143 A1\* 8/2015 Christlieb ..... A01K 23/005  
294/1.5  
2015/0234079 A1\* 8/2015 Loubet ..... G01V 3/17  
324/329  
2015/0253448 A1\* 9/2015 Cheng ..... G01V 3/08  
324/329  
2015/0313188 A1\* 11/2015 Seller ..... A01K 23/005  
294/1.3  
2016/0029600 A1\* 2/2016 Wang ..... A01K 23/005  
294/1.5  
2016/0050885 A1\* 2/2016 Brasuel ..... A01K 23/005  
294/1.5  
2016/0091629 A1\* 3/2016 Deng ..... G01V 3/38  
324/329

\* cited by examiner

Fig. 1



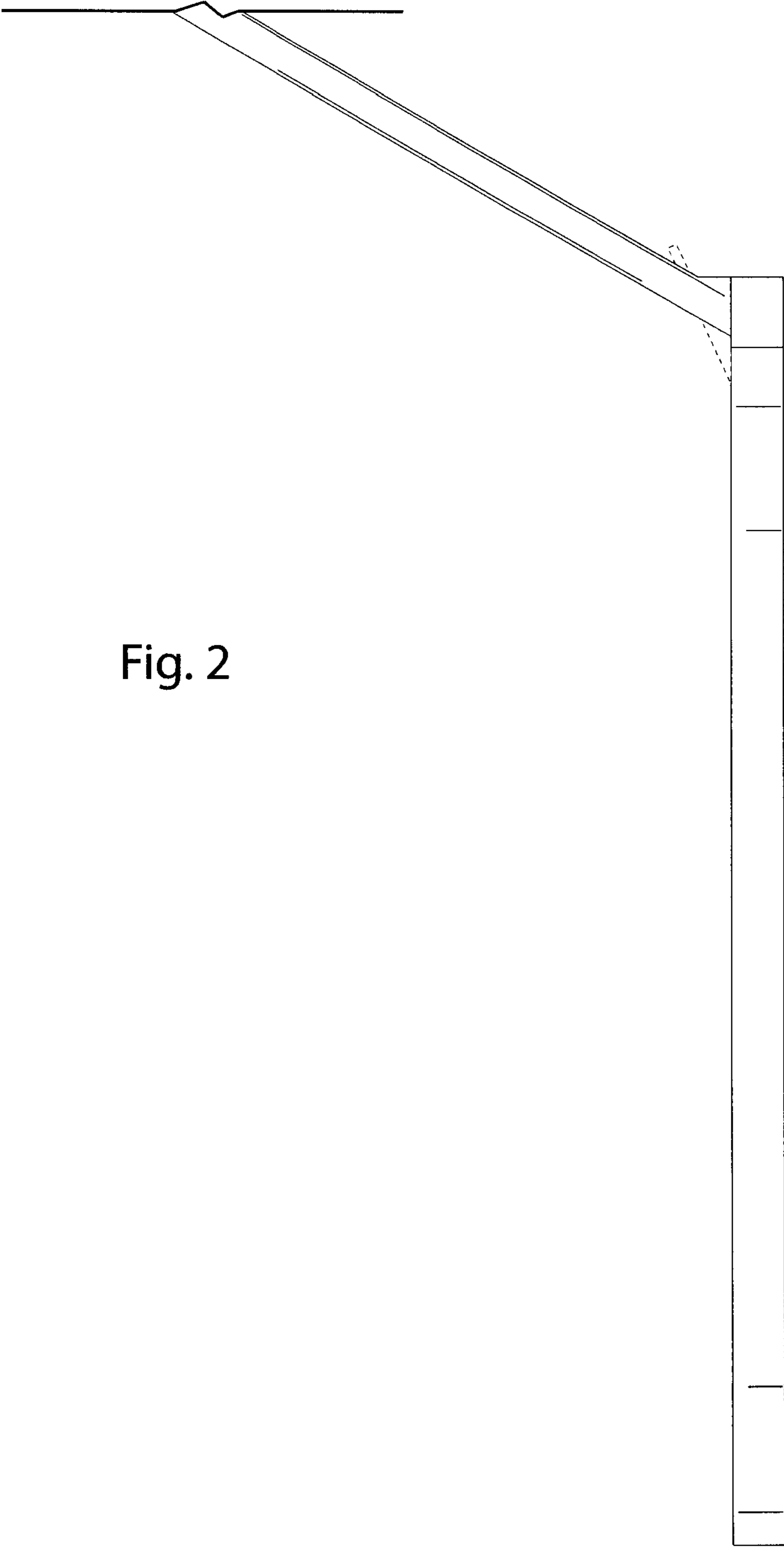


Fig. 2

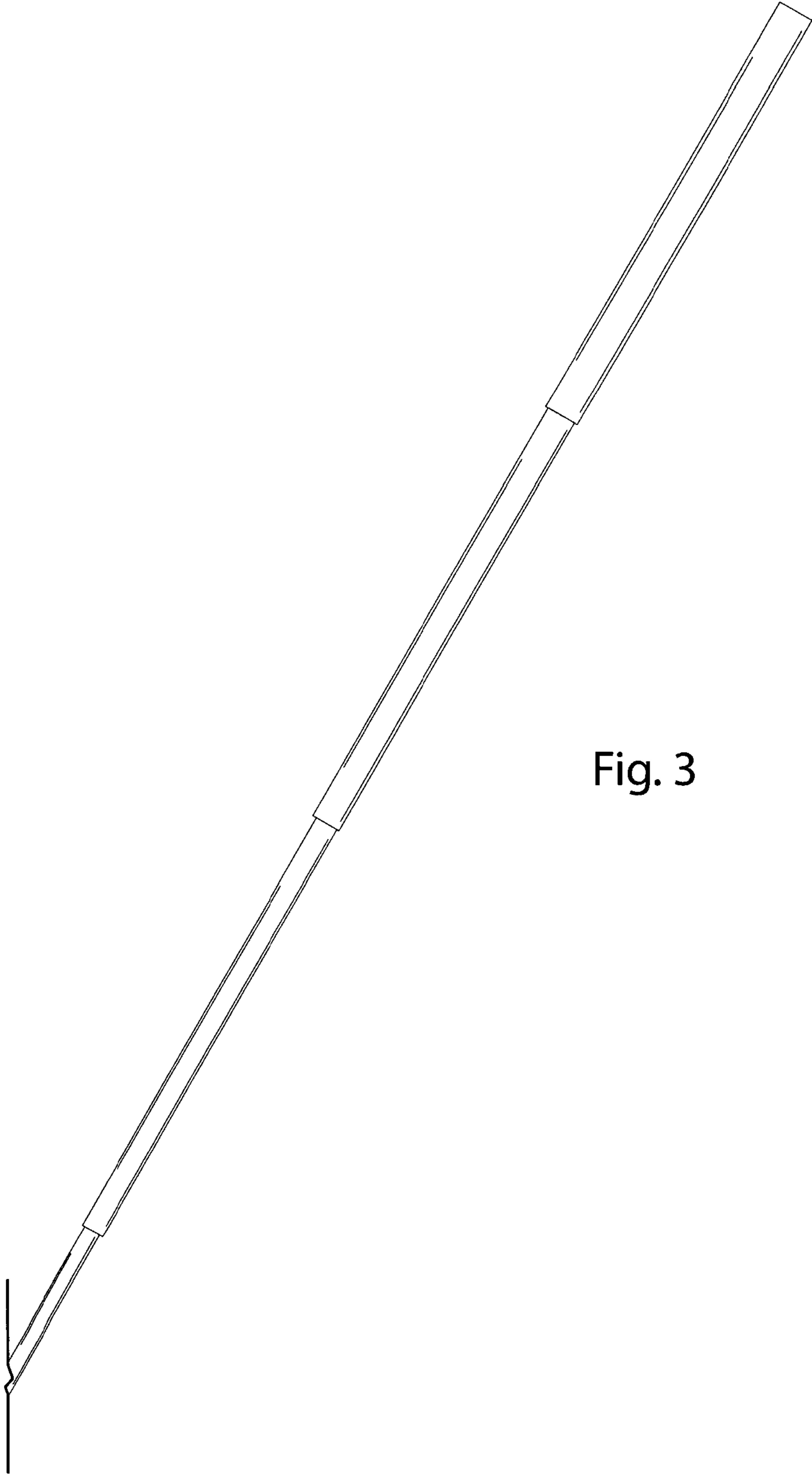


Fig. 3

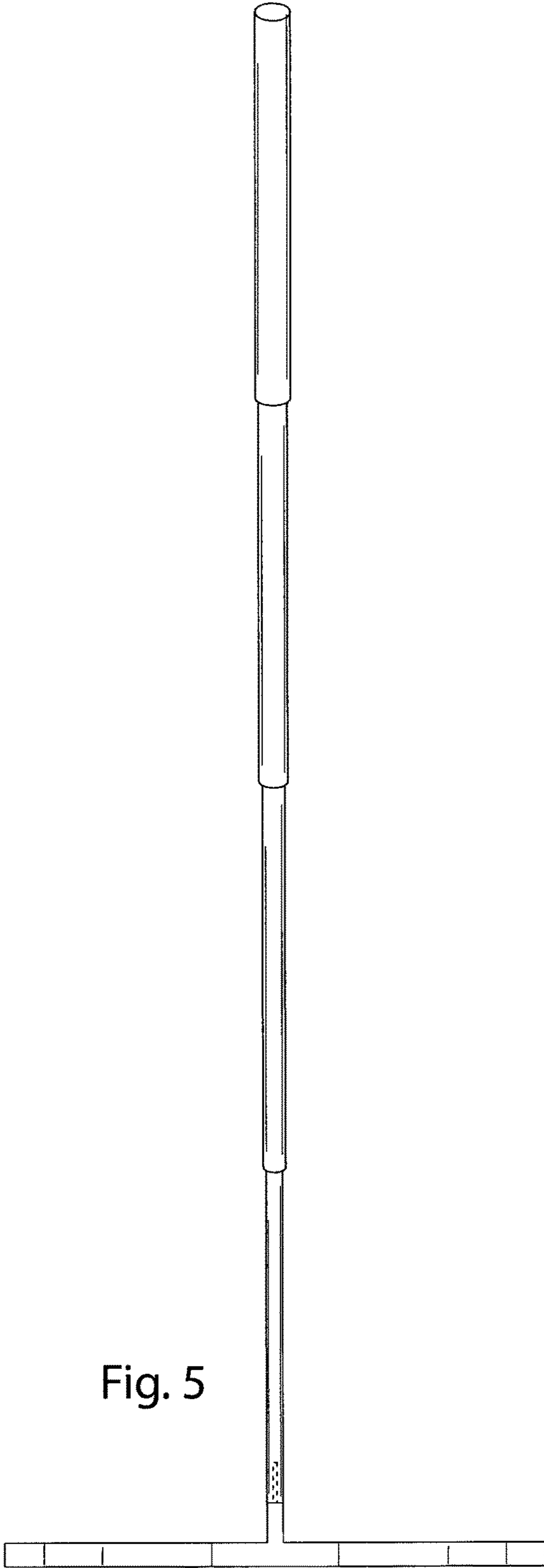
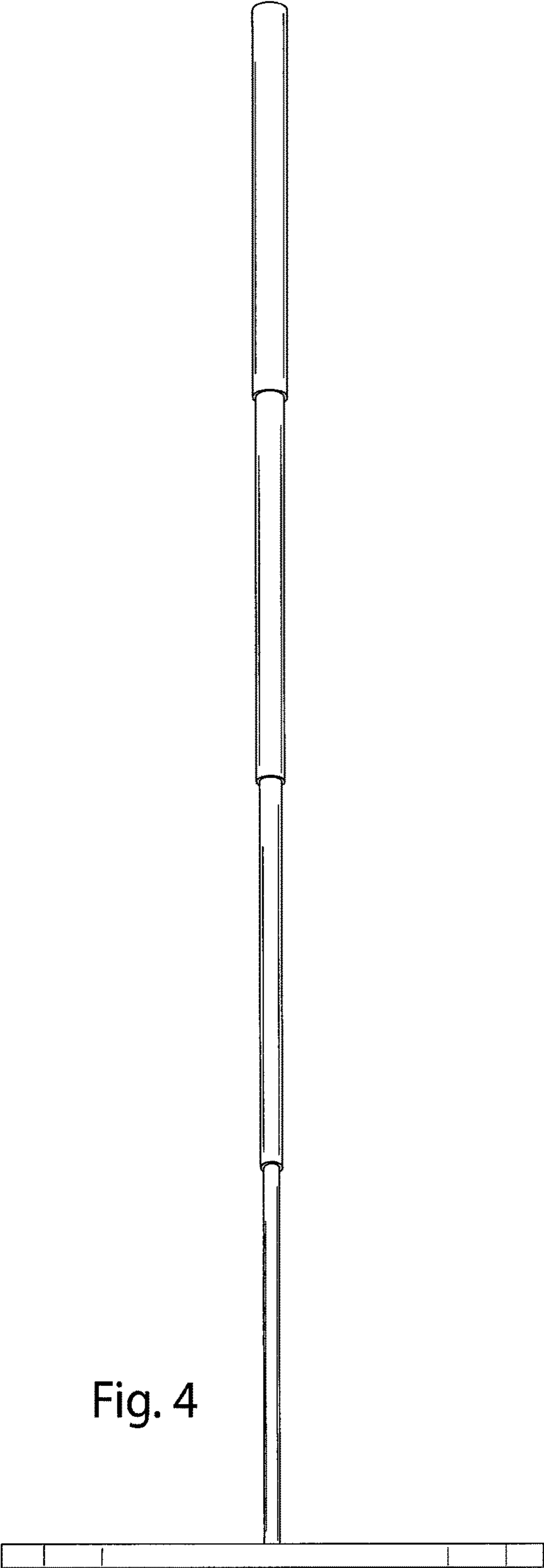
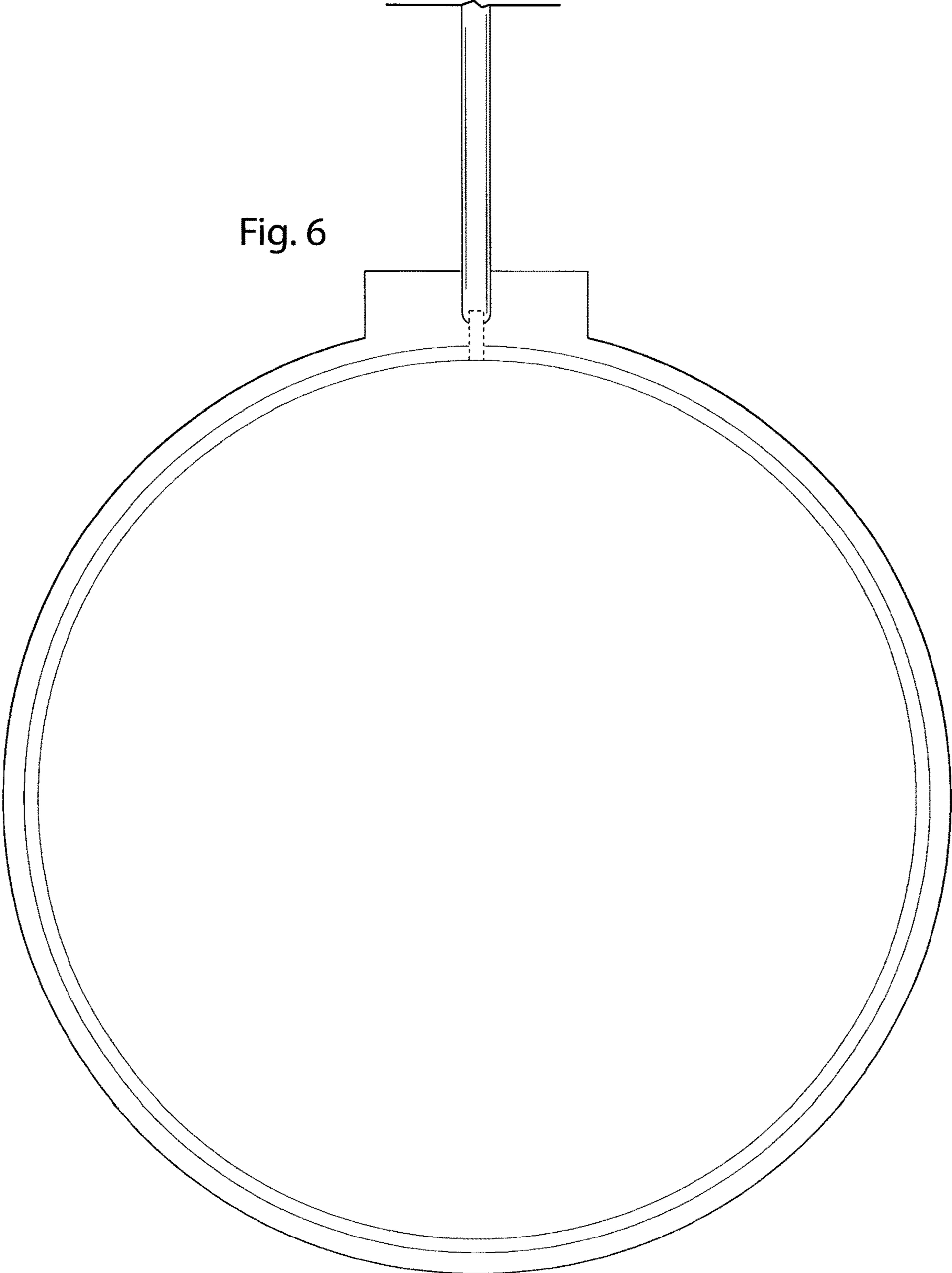


Fig. 6





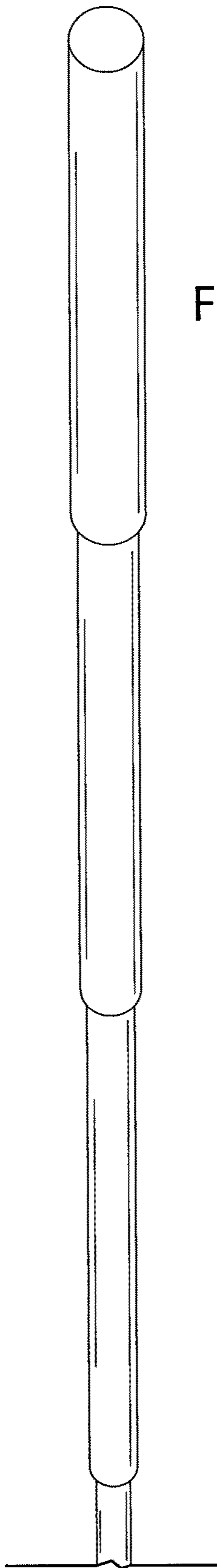


Fig. 7

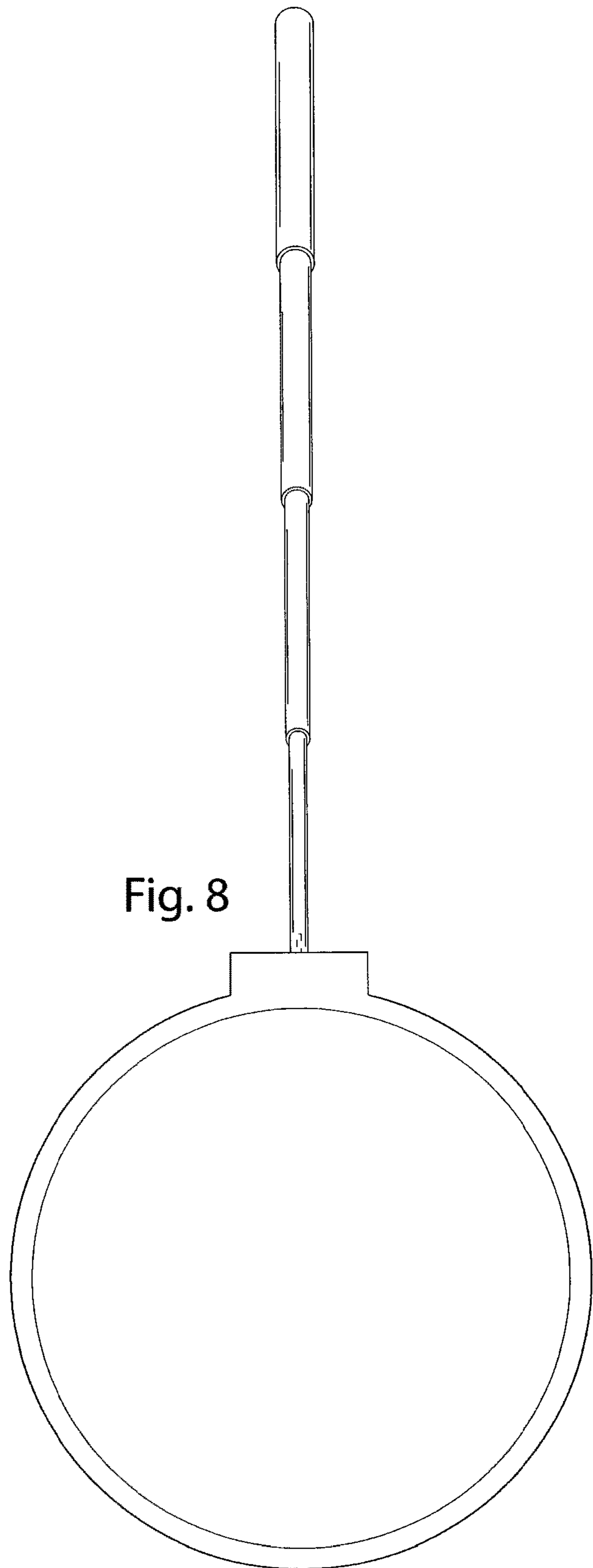


Fig. 8

Fig. 9

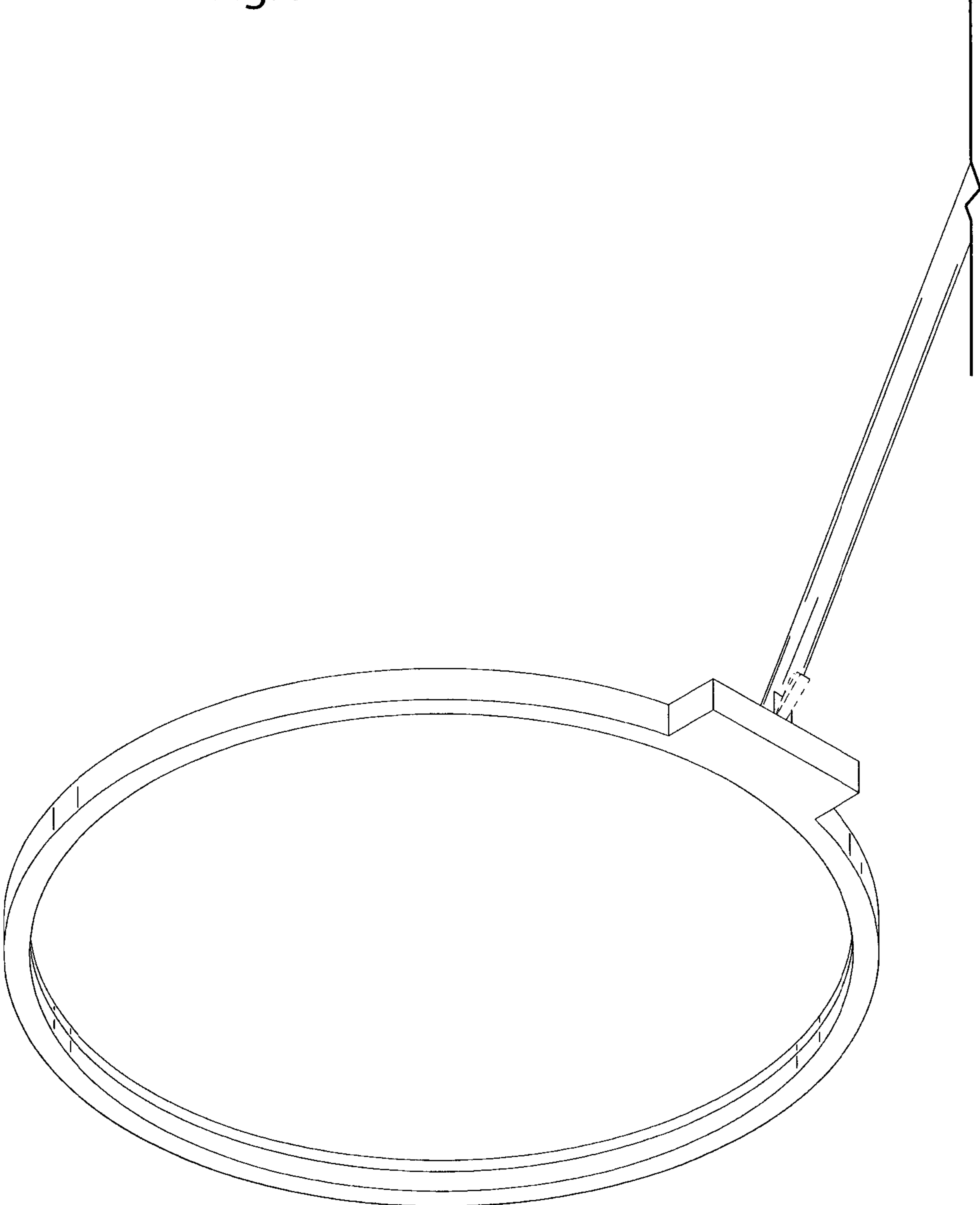


Fig. 10

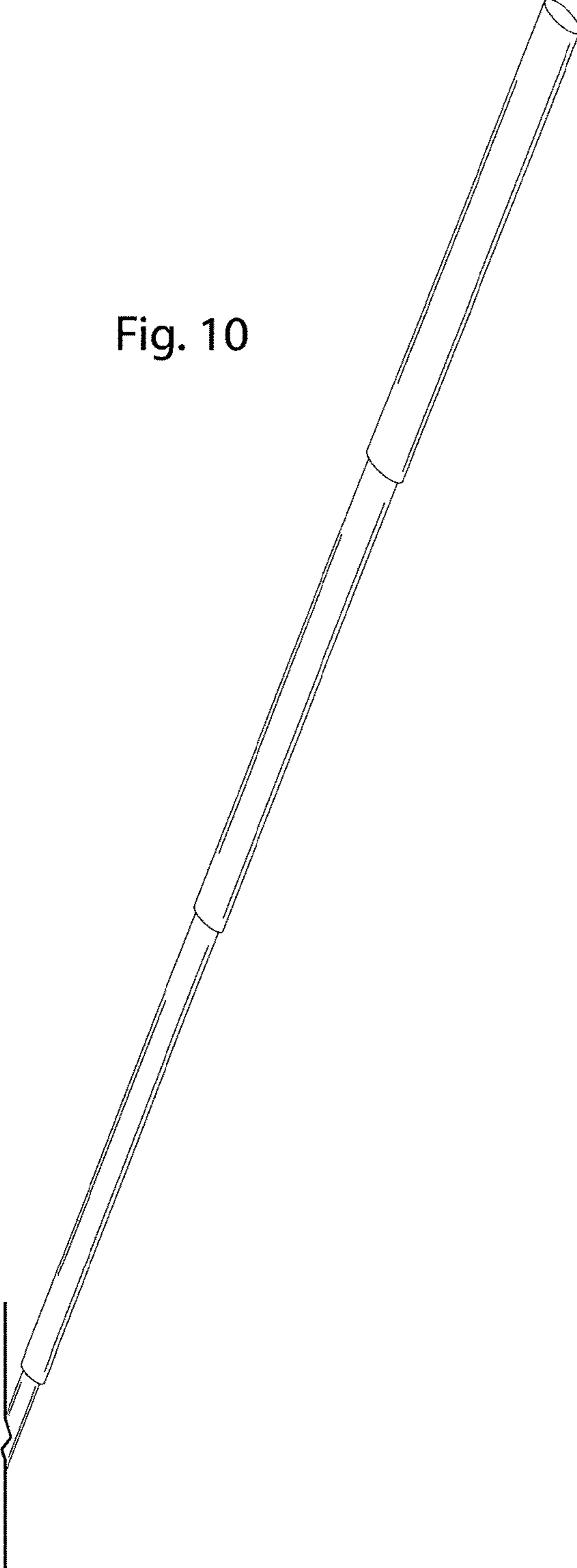


Fig. 12

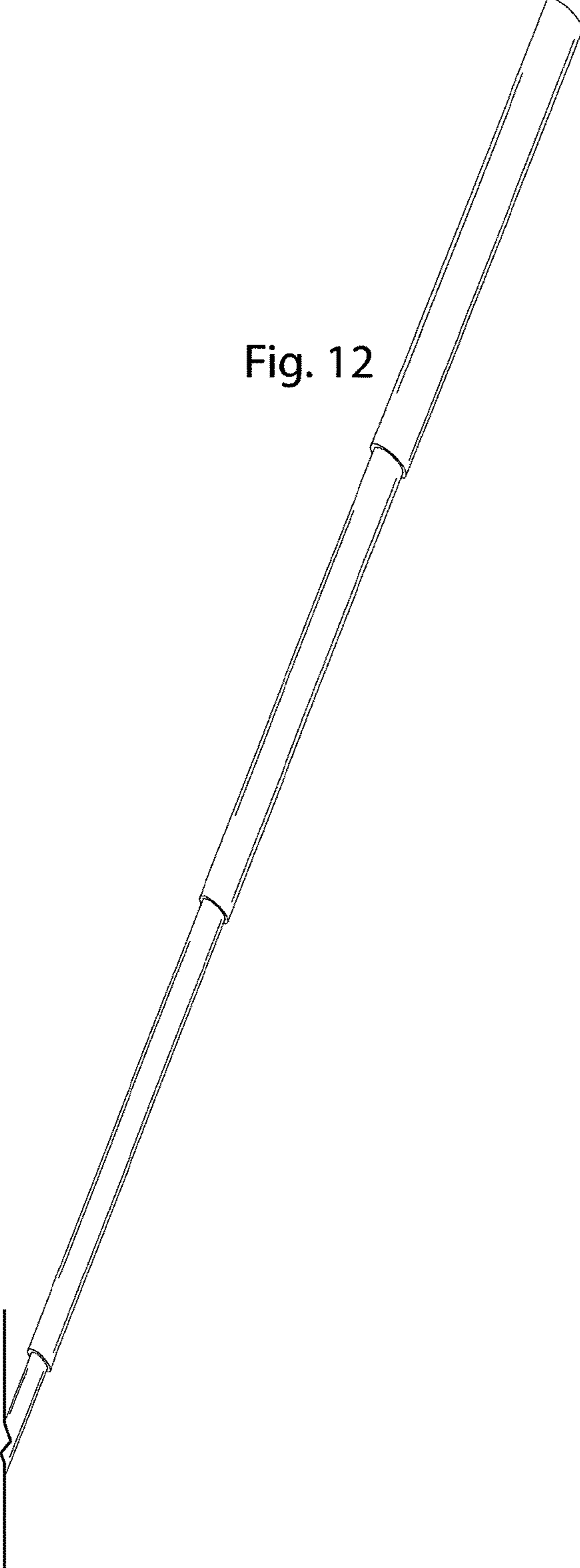


Fig. 11

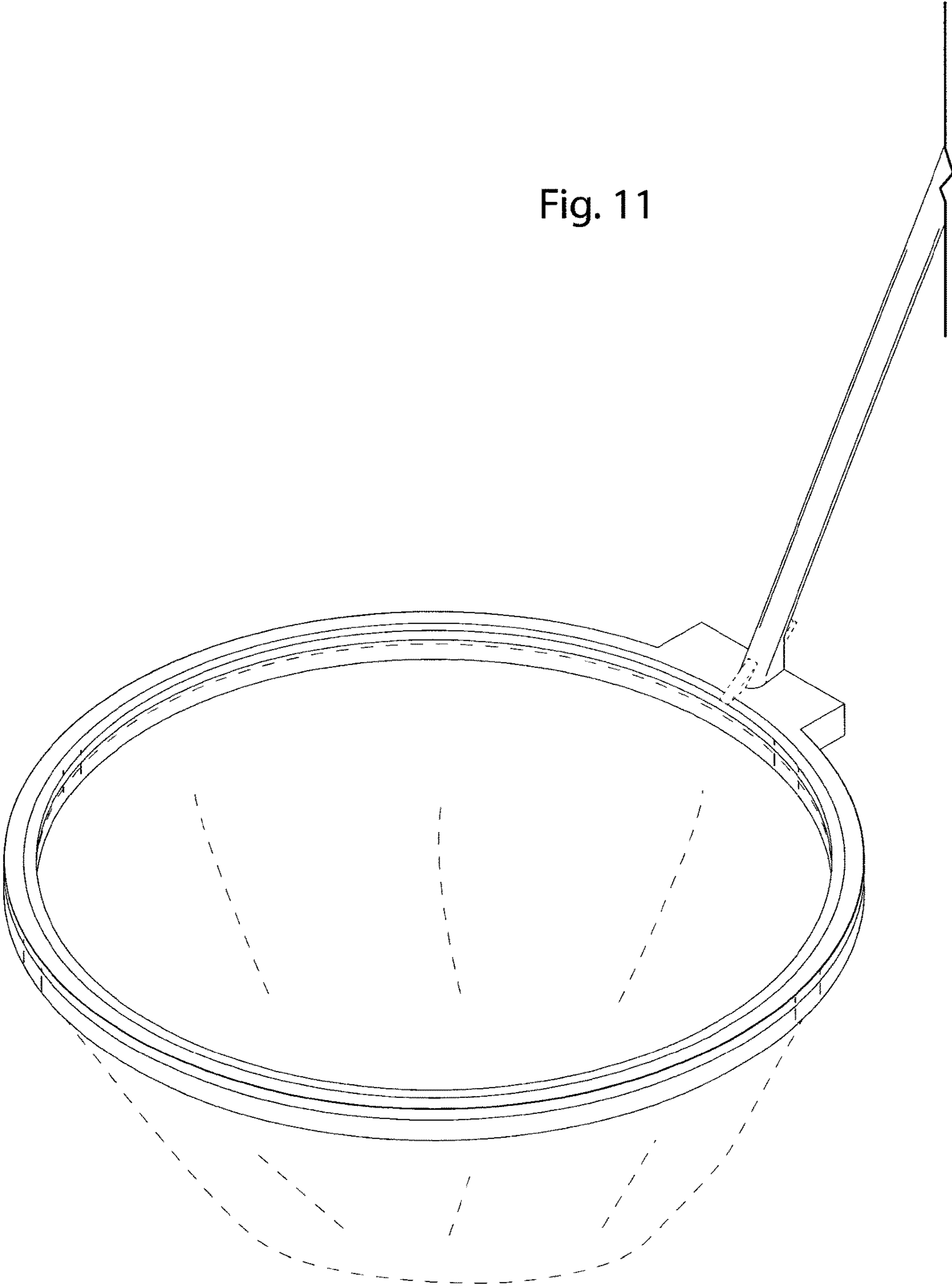


Fig. 13

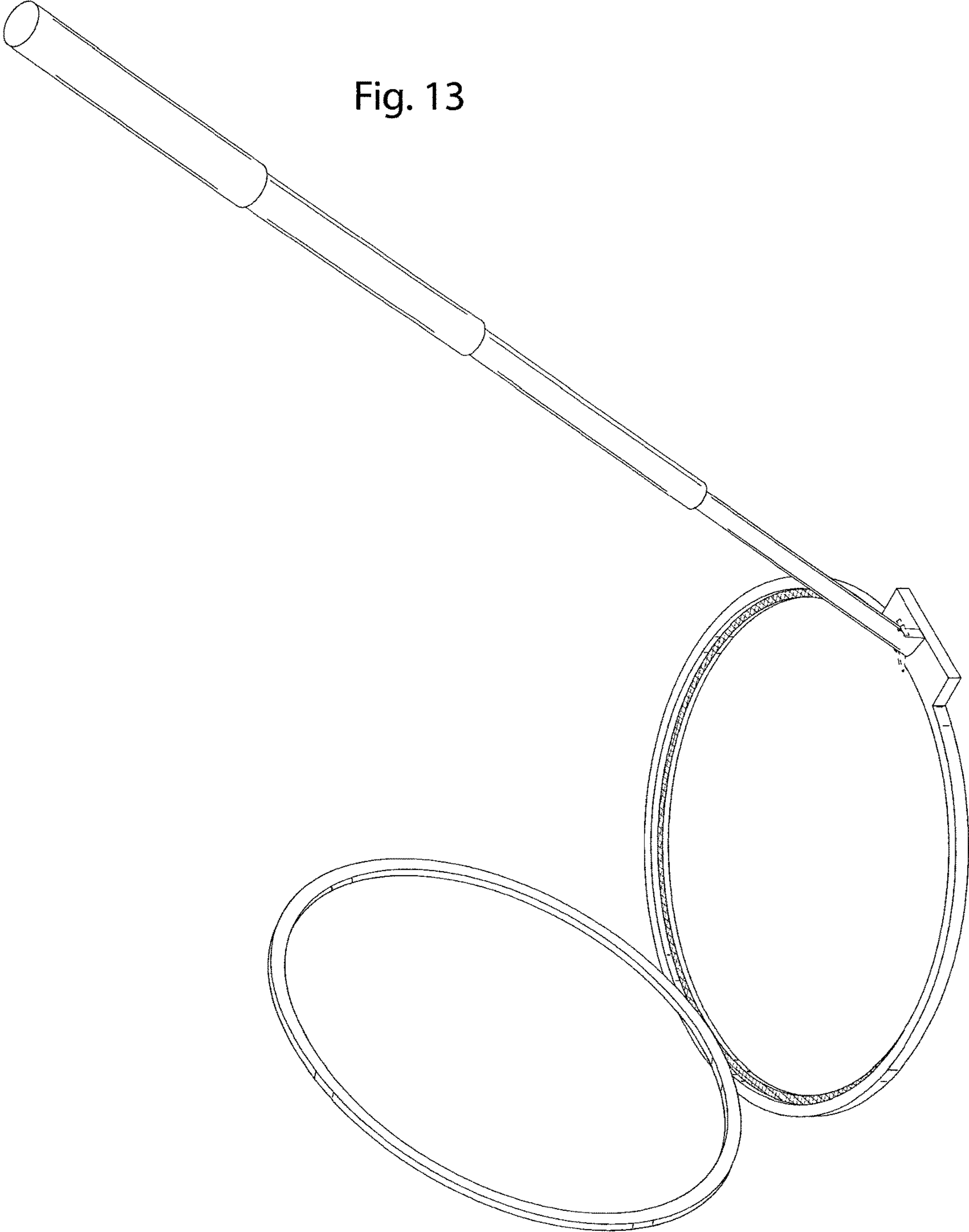


Fig. 14

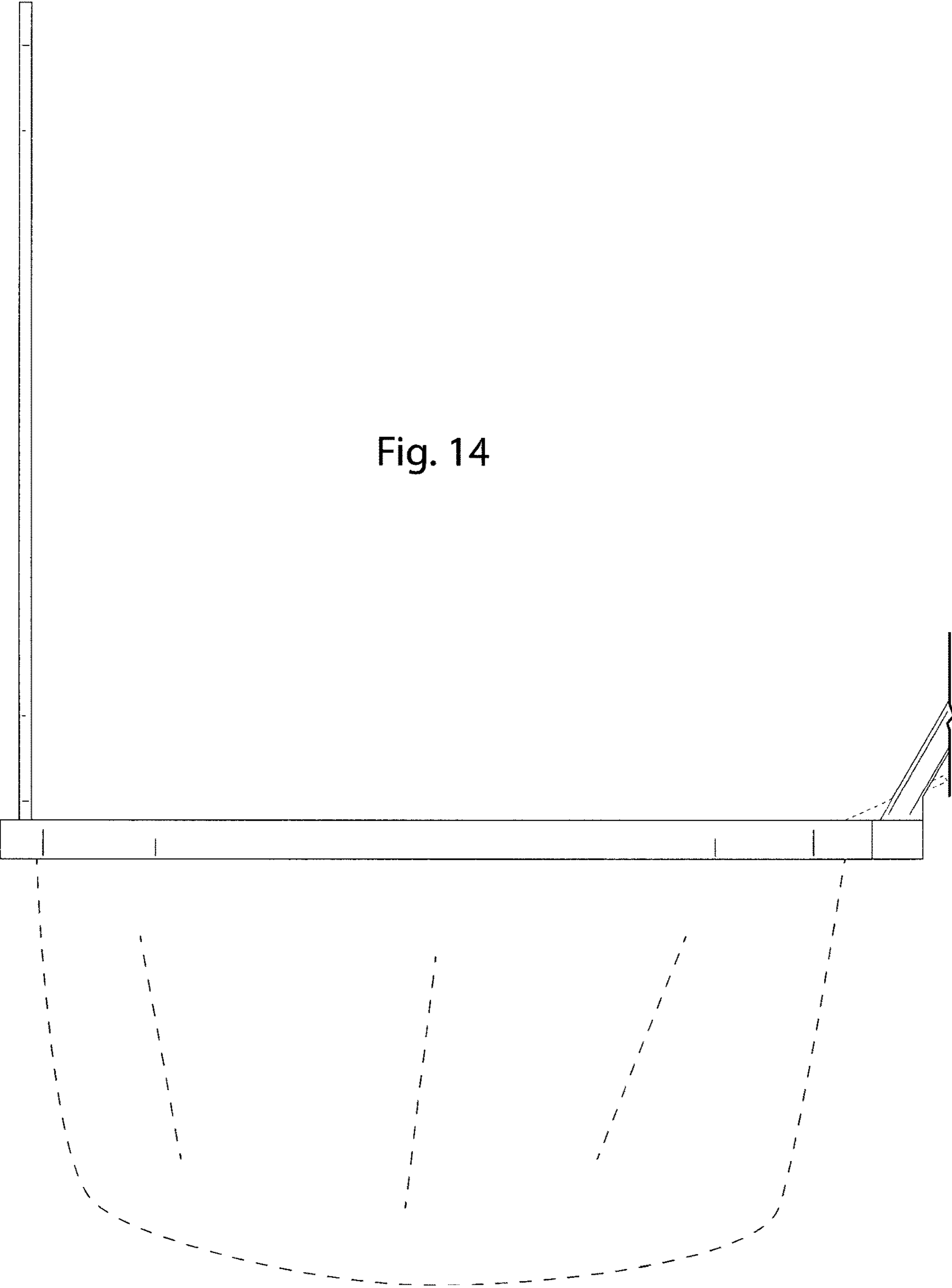
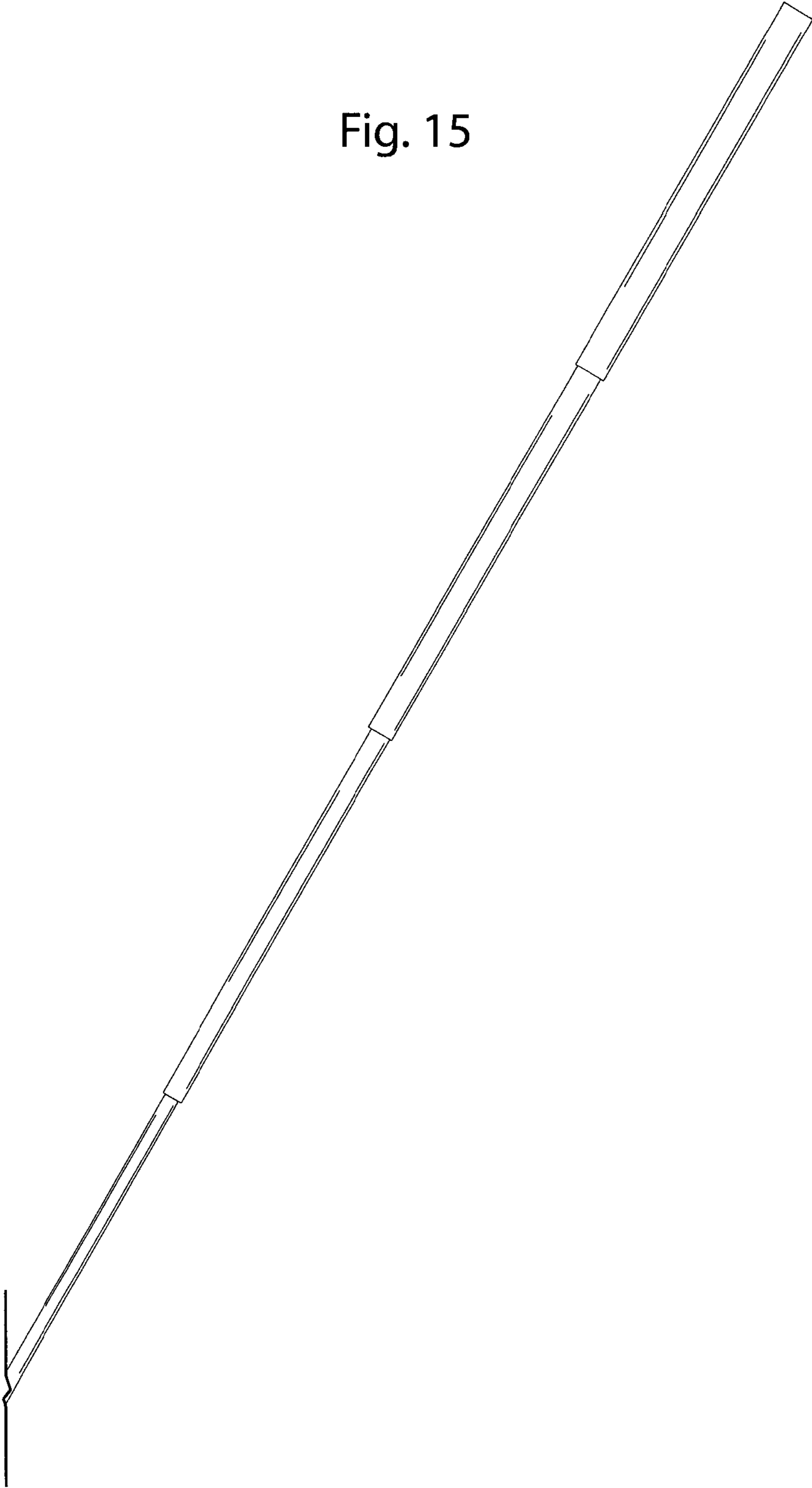


Fig. 15



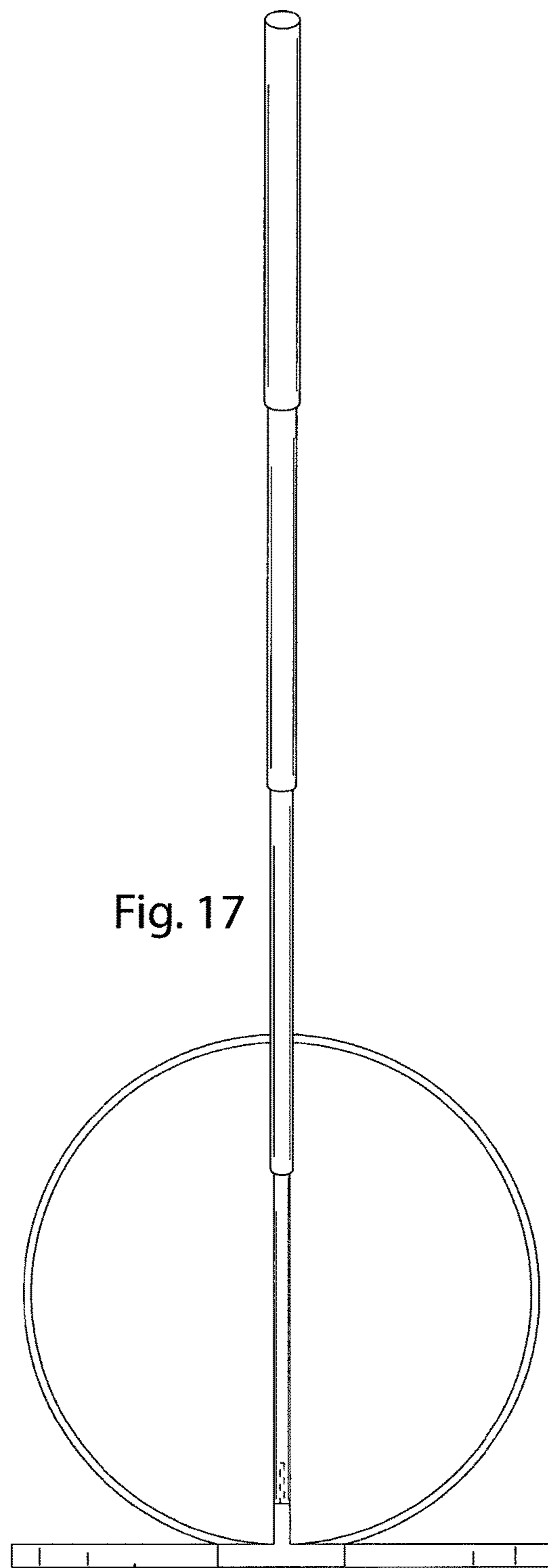
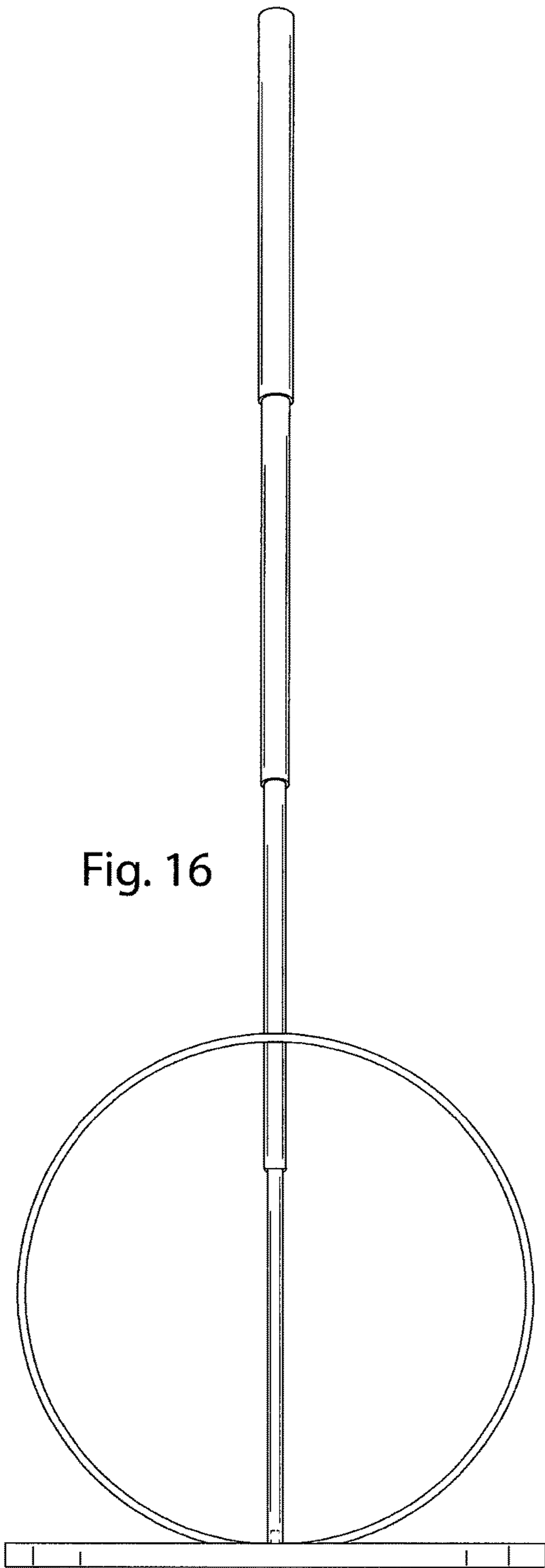
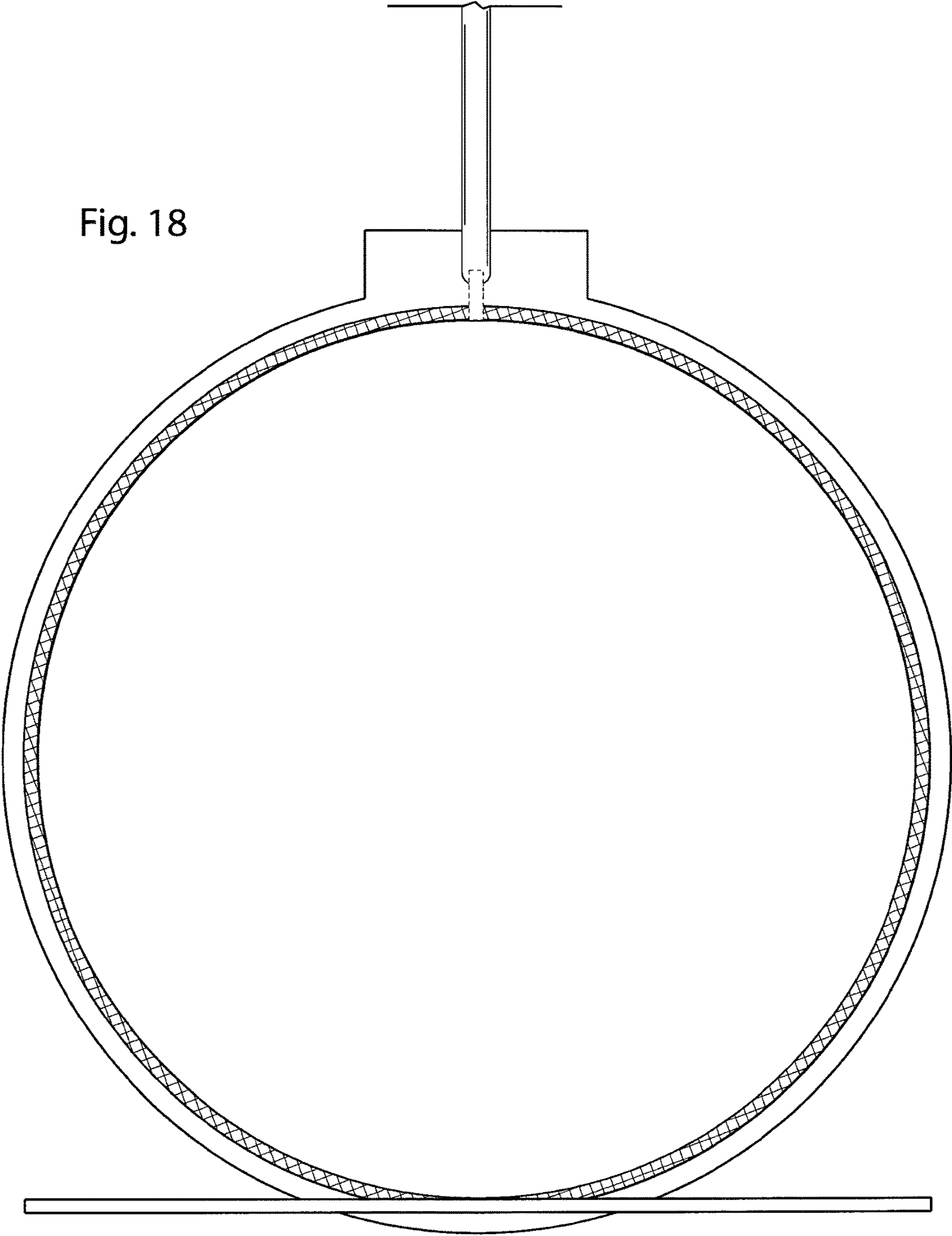




Fig. 18



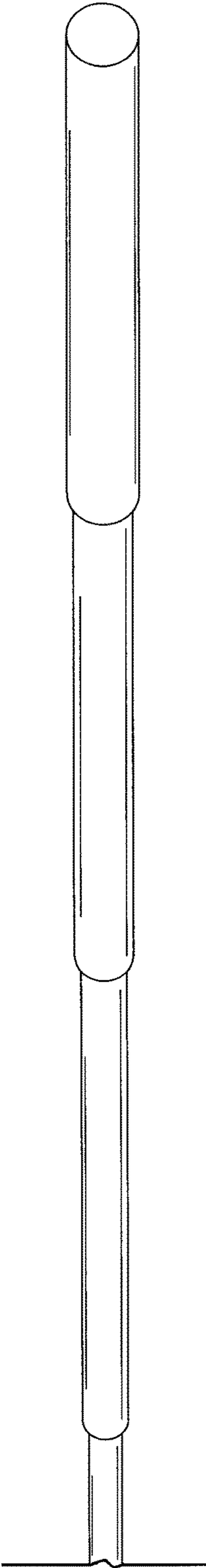


Fig. 19

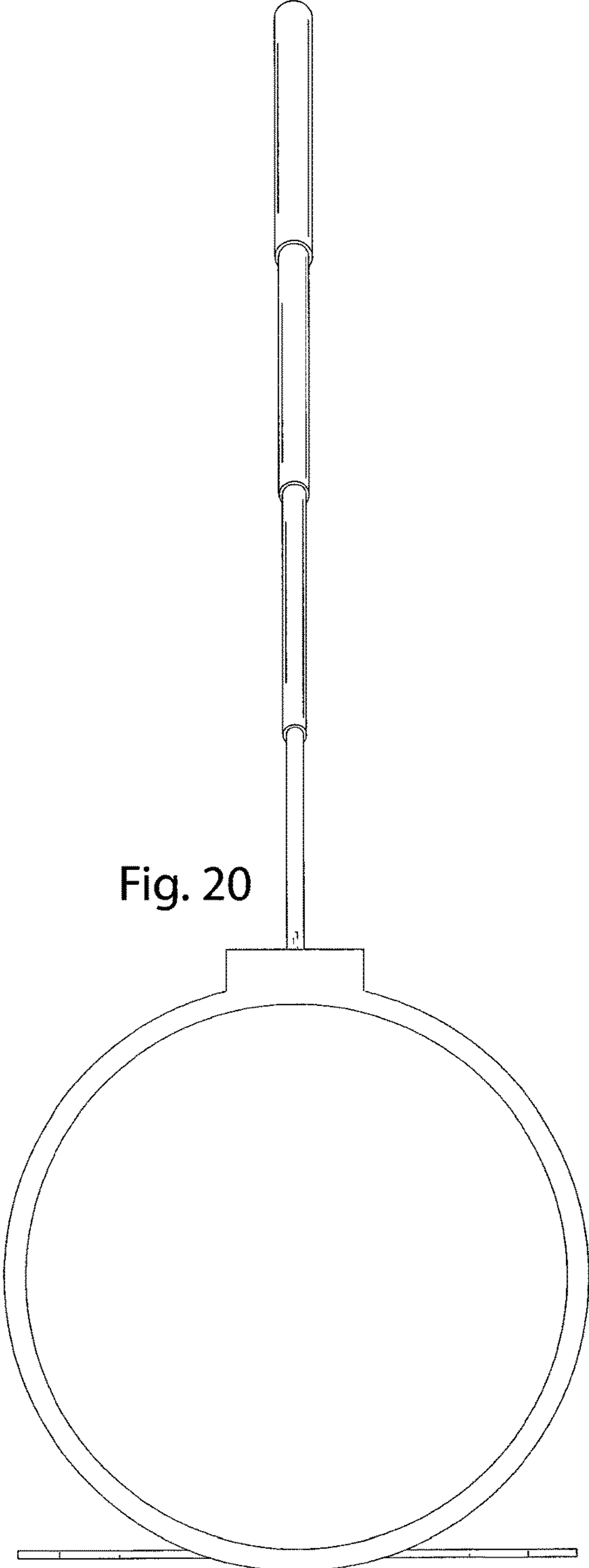


Fig. 20