



US00D791416S

(12) **United States Design Patent** (10) **Patent No.:** **US D791,416 S**
Ainge (45) **Date of Patent:** **** Jul. 4, 2017**

(54) **ANIMAL MUZZLE**
(71) Applicant: **Stuart Ainge**, Herefordshire (GB)
(72) Inventor: **Stuart Ainge**, Herefordshire (GB)
(73) Assignee: **M. J. Ainge & Co. Limited**, Herefordshire (GB)

D665,089 S * 8/2012 Brown D24/190
D754,278 S * 4/2016 Finkel D30/152
2011/0185981 A1* 8/2011 Mitton A01K 25/00
119/832
2014/0190423 A1* 7/2014 Nelson B68B 5/06
119/832
2015/0257368 A1* 9/2015 Harman A01K 25/00
119/832

(**) Term: **15 Years**
(21) Appl. No.: **29/554,655**
(22) Filed: **Feb. 12, 2016**
(51) **LOC (10) Cl.** **30-04**
(52) **U.S. Cl.**
USPC **D30/152**
(58) **Field of Classification Search**
USPC D30/136, 137, 138, 144, 145, 151, 152,
D30/199; D2/627; D3/215, 327;
D29/101.1, 101.3, 101.5; D24/190
CPC A01K 25/00; A01K 13/006
See application file for complete search history.

OTHER PUBLICATIONS

“Shires Flexi Grazer Muzzle”. Found online Feb. 1, 2017 at horse.com. Page dated Jul. 6, 2016. Retrieved from https://www.horse.com/item/shires-flexi-grazer-muzzle/E017311/*

(Continued)

Primary Examiner — Robert M Spear
Assistant Examiner — Kendra L Hamilton
(74) *Attorney, Agent, or Firm* — Greenberg Traurig, LLP

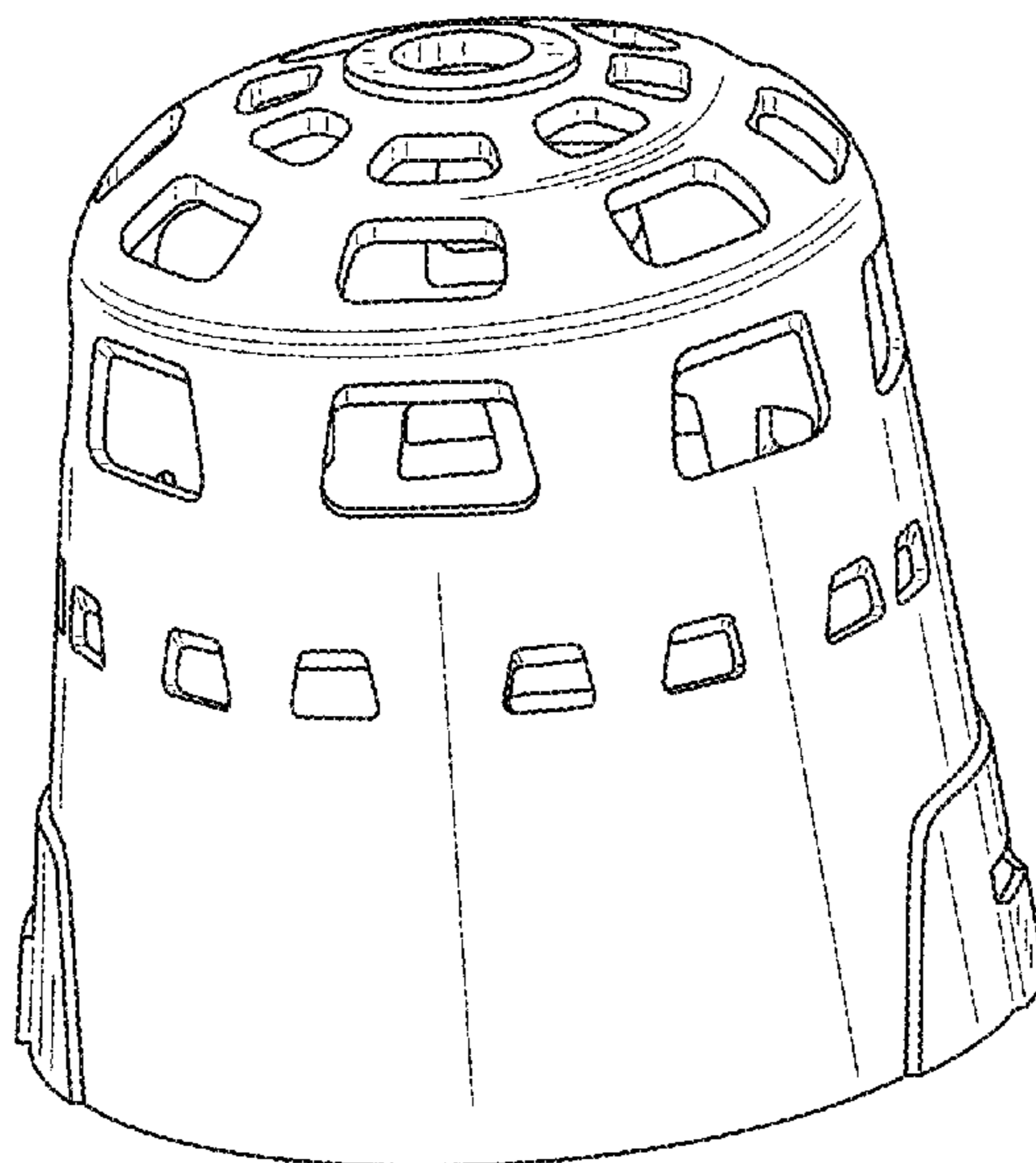
(57) **CLAIM**
What is claimed is the ornamental design for an animal muzzle, as shown and described.

DESCRIPTION

FIG. 1 is an isometric view of the front of the animal muzzle and a portion of the interior of the animal muzzle;
FIG. 2 is an isometric view of the back of the animal muzzle and a portion of the end of the animal muzzle;
FIG. 3 is an isometric view of a portion of the interior of the animal muzzle and a portion of the back of the animal muzzle;
FIG. 4 is an isometric view of the end of the animal muzzle and a portion of the front and right side of the animal muzzle, with the left side being a mirror image of the right side;
FIG. 5 is an isometric view of the front of the animal muzzle;
FIG. 6 is a front side view of the animal muzzle; and,
FIG. 7 is an end view of the animal muzzle.

1 Claim, 7 Drawing Sheets

(56) **References Cited**
U.S. PATENT DOCUMENTS
1,468,416 A * 9/1923 Rasmussen A01K 25/00
119/832
1,748,027 A * 2/1930 Rasmussen A01K 25/00
119/831
D217,258 S * 4/1970 Lupo D30/152
4,160,428 A * 7/1979 Wilkinson A01K 25/00
119/831
D291,015 S * 7/1987 Torrens D30/144
D524,997 S * 7/2006 Franco A01K 27/002
D30/152
7,690,332 B1 * 4/2010 Merbeth A01K 19/00
119/827
D659,303 S * 5/2012 Mugford D30/144



(56)

References Cited

OTHER PUBLICATIONS

“Muzzle Your Best Friend”. Found online Feb. 1, 2017 at mitchellplainfarm.com. Page dated Feb. 2010. Retrieved from http://www.mitchellplainfarm.com/uploads/2/9/4/4/2944849/grazing_muzzles_hj.pdf.*

“Cribbing and Grazing Muzzles”. Found online Feb. 1, 2017 at statelinetack.com. Page dated Jan. 5, 2012. Retrieved from <http://web.archive.org/web/20120105034416/http://www.statelinetack.com/halters-and-leads/cribbing-and-grazing-muzzles/2337/>.*

“The Lesser of Two Evils . . . the Grazing Muzzle”. Found online Feb. 1, 2017 at horseandman.com. Page dated May 7, 2015. Retrieved from <http://www.horseandman.com/handy-tips/the-lesser-of-two-evils-the-grazing-muzzle/05/07/2015/>.*

* cited by examiner

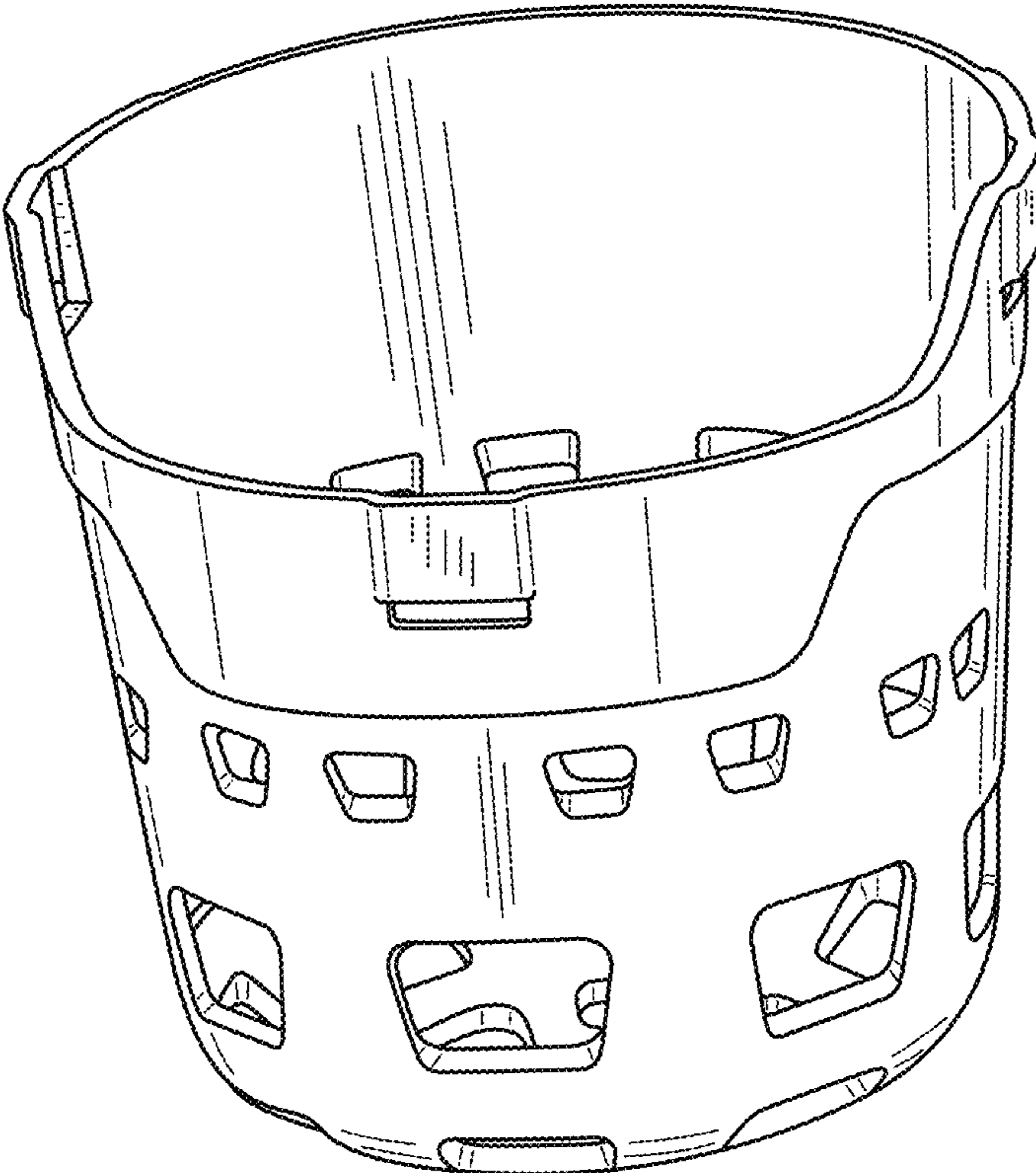


FIG.1

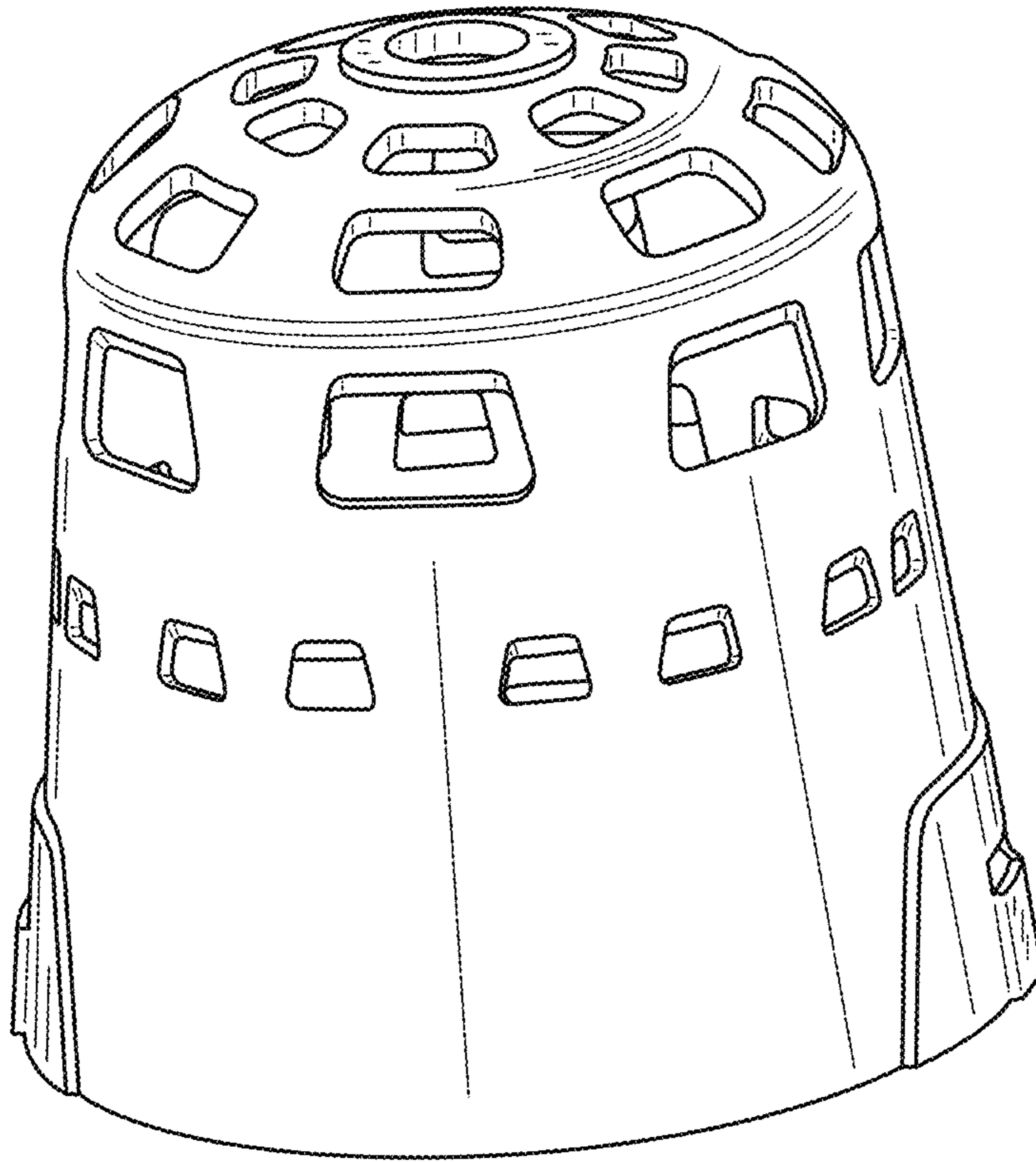


FIG.2

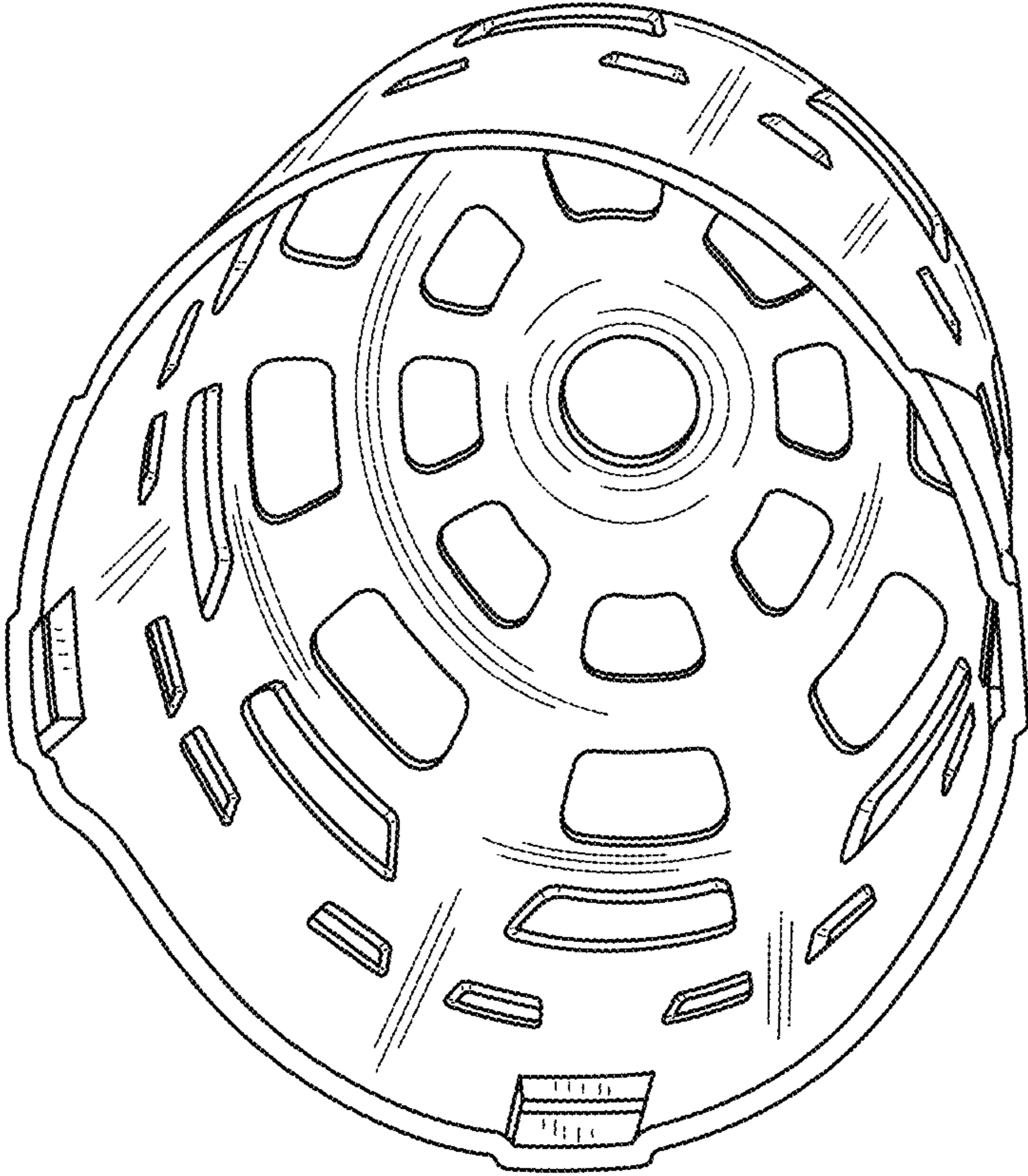


FIG.3

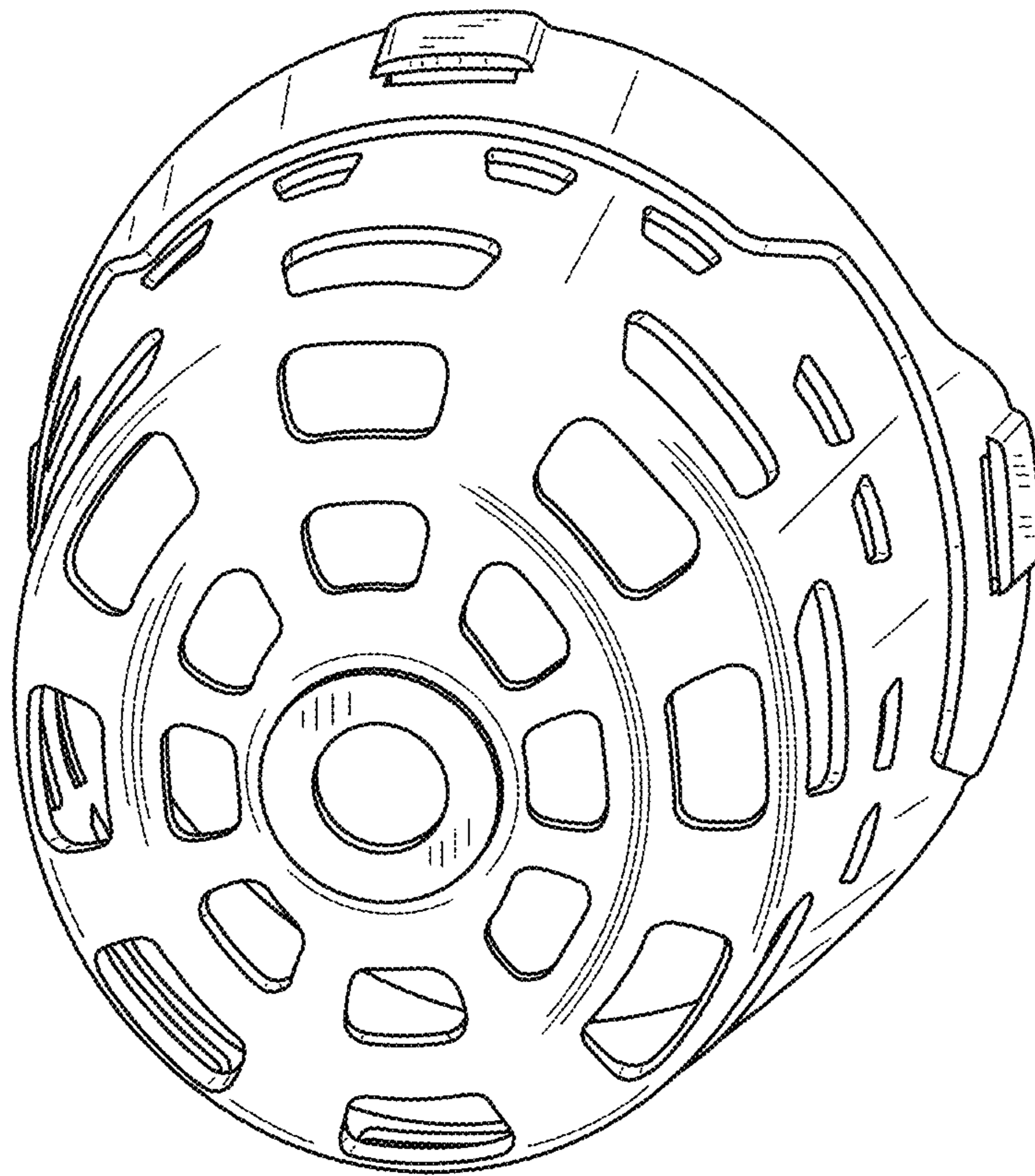


FIG.4

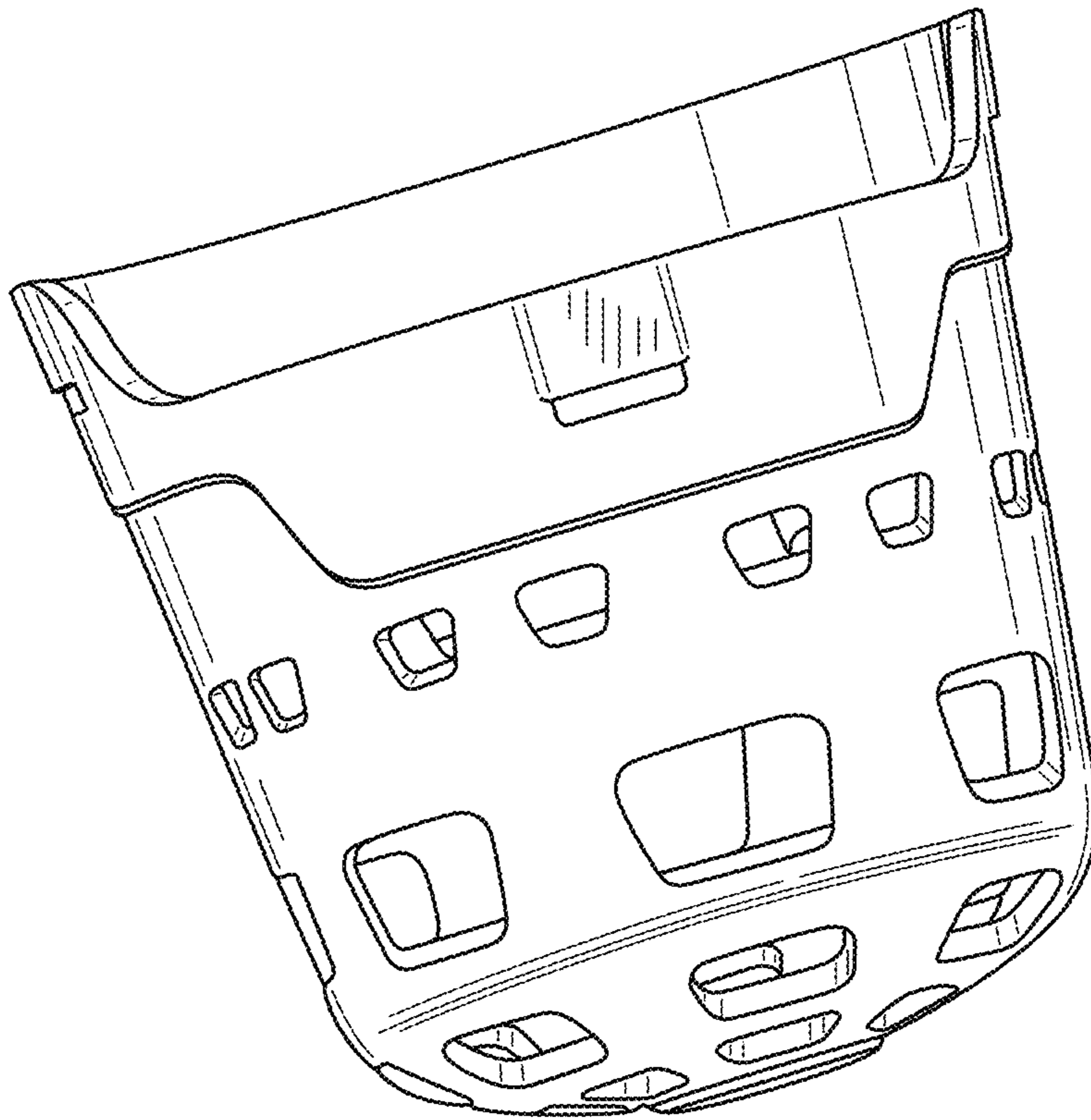


FIG.5

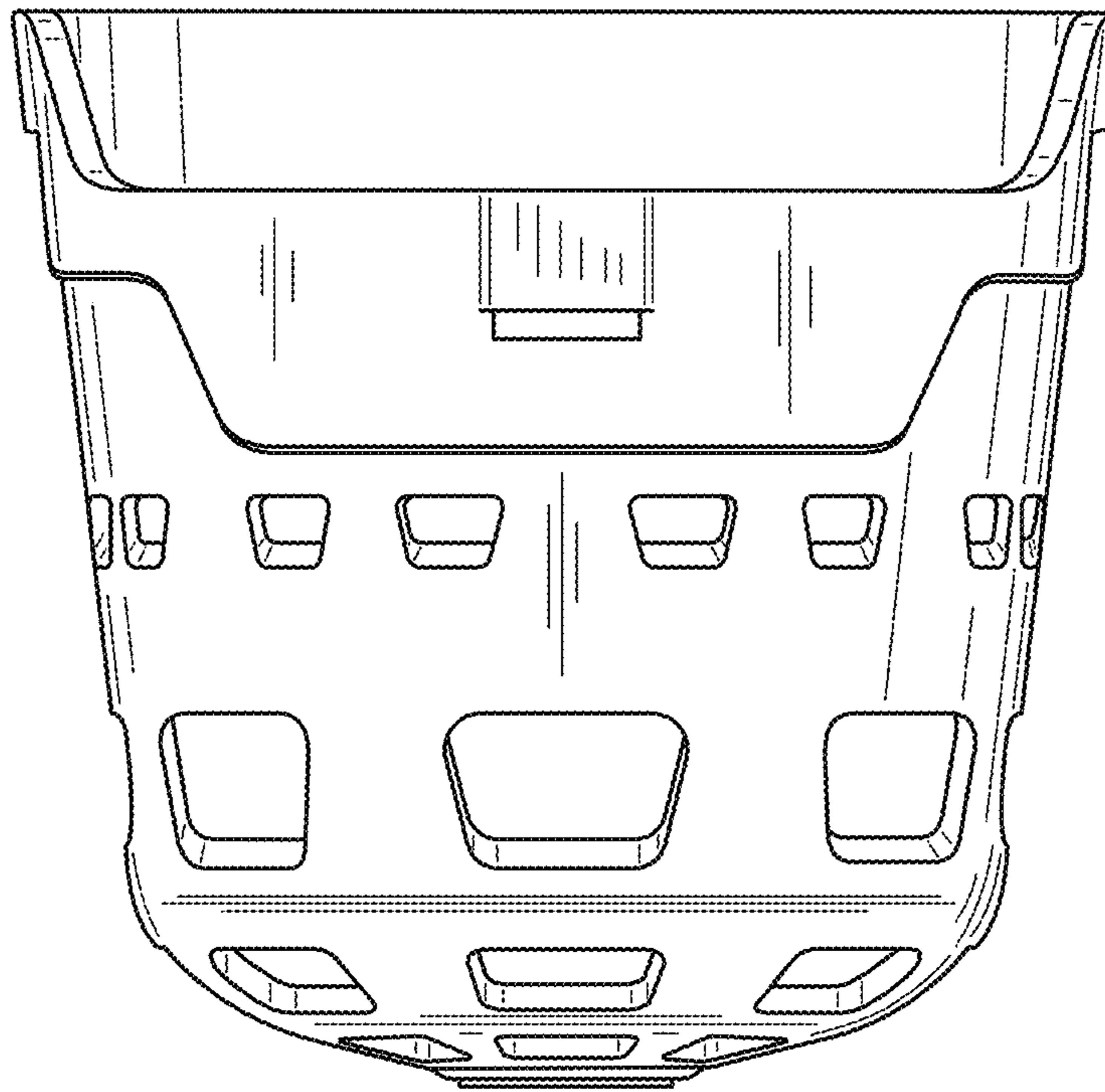


FIG.6

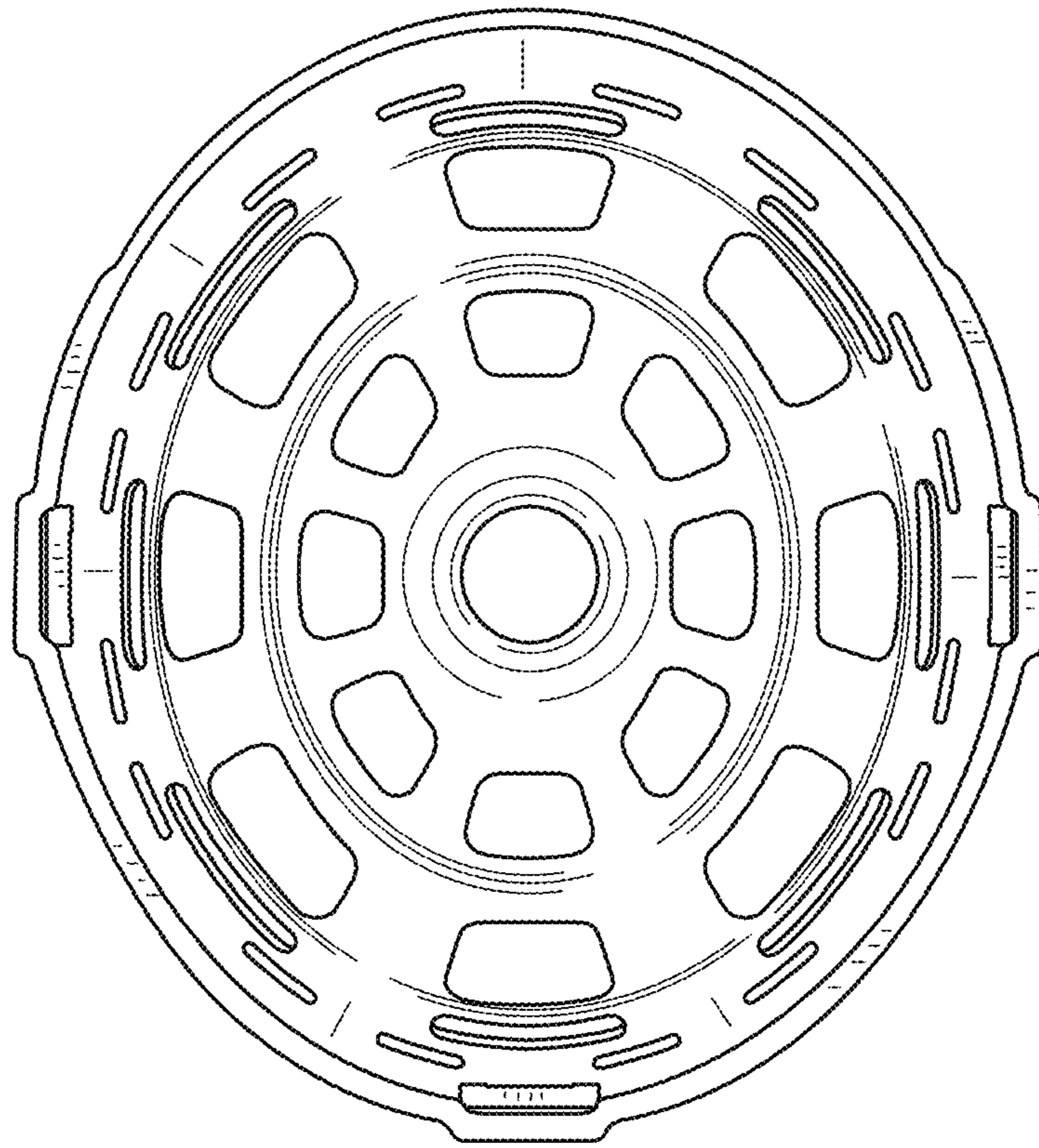


FIG. 7