



US00D791414S

(12) **United States Design Patent**
Wilgus

(10) **Patent No.:** **US D791,414 S**
(45) **Date of Patent:** **** Jul. 4, 2017**

(54) **BIRD FEEDER ASSEMBLY KIT**

(71) Applicant: **Phillip R. Wilgus**, Virginia Beach, VA (US)

(72) Inventor: **Phillip R. Wilgus**, Virginia Beach, VA (US)

(**) Term: **15 Years**

(21) Appl. No.: **29/572,568**

(22) Filed: **Jul. 28, 2016**

(51) **LOC (10) Cl.** **30-03**

(52) **U.S. Cl.**
USPC **D30/127; D30/124**

(58) **Field of Classification Search**
USPC D30/121, 124, 126-129, 133, 199, D30/110-112, 123, 125; 119/52.2, 51.5, 119/61.5, 57.8, 57.9, 52.3, 61.1, 531, 63, 119/428-435, 52.4, 55, 61.3, 69.5, 75, 76; 47/67, 83; 248/318; D11/164, 152; 211/128.1; D27/123; D6/495, 460, 461, D6/476, 405
CPC A01K 39/00; A01K 39/01; A01K 39/0113; A01K 39/012; A01K 39/06; A01K 5/0225; A01K 5/00
See application file for complete search history.

3,164,130 A * 1/1965 Curtis A01K 39/012
119/57.9

3,195,507 A * 7/1965 Miller A01K 31/14
119/431

D228,331 S * 9/1973 Julkenbeck D7/309

D234,114 S * 1/1975 Bergmann et al. D7/309

D234,901 S * 4/1975 Mantelet D7/309

3,916,836 A * 11/1975 Justl A01K 1/03
119/428

D243,308 S * 2/1977 Harms D7/309

D243,737 S * 3/1977 Painter D7/309

4,167,917 A * 9/1979 Noll A01K 31/14
119/429

D253,987 S * 1/1980 Painter D7/309

D254,285 S * 2/1980 Lee D7/309

D265,041 S * 6/1982 Lee D7/309

D274,029 S * 5/1984 Daugherty D7/309

D274,400 S * 6/1984 Muller D7/309

D277,704 S * 2/1985 Dehls D30/124

4,541,362 A * 9/1985 Dehls A01K 39/0113
119/57.9

D283,778 S * 5/1986 Jack D7/309

D287,212 S * 12/1986 Daugherty D7/309

(Continued)

Primary Examiner — Susan Moon Lee
(74) Attorney, Agent, or Firm — William G. Sykes

(57) **CLAIM**

The ornamental design for a bird feeder assembly kit, as shown.

(56) **References Cited**

U.S. PATENT DOCUMENTS

361,621 A * 4/1887 Ferguson A01K 5/0241
119/54

2,230,058 A * 1/1941 Hornung A01K 39/0113
119/52.3

2,392,532 A * 1/1946 Hyde A01K 31/14
119/429

D177,746 S * 5/1956 Moore D30/124

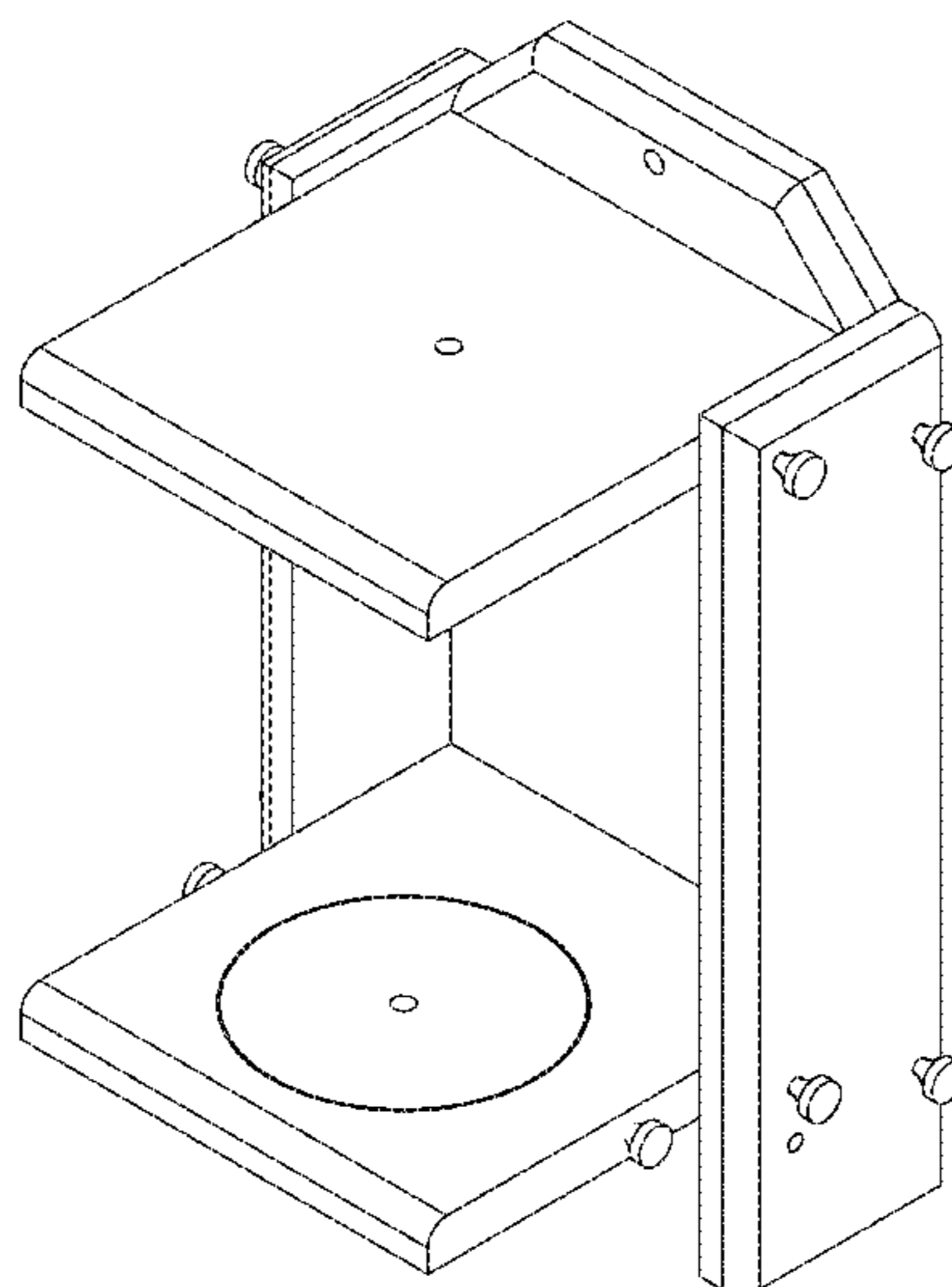
D191,518 S * 10/1961 Olsen 119/57.8

3,083,687 A * 4/1963 Slaven A01K 39/012
119/52.2

DESCRIPTION

FIG. 1 is a front left isometric view of a bird feeder assembly kit showing my new design;
FIG. 2 is a front view thereof;
FIG. 3 is a top view thereof;
FIG. 4 is a bottom view thereof;
FIG. 5 is a right side view thereof;
FIG. 6 is a left side view thereof; and,
FIG. 7 is a back view thereof.

1 Claim, 7 Drawing Sheets



(56)

References Cited

U.S. PATENT DOCUMENTS

D291,766 S * 9/1987 Steinkamp D7/309
 D292,468 S * 10/1987 Ryan, Jr. D7/309
 4,881,491 A * 11/1989 Brown A01K 39/00
 119/51.01
 D317,546 S * 6/1991 Rakocy D7/309
 D330,272 S * 10/1992 Lane D30/124
 5,186,123 A * 2/1993 Cuddy A01K 31/14
 119/434
 D338,745 S * 8/1993 Ervin D30/121
 D358,907 S * 5/1995 Spivey D30/110
 D370,311 S * 5/1996 Logan, Jr. D30/110
 D374,511 S * 10/1996 Schenck D30/108
 D381,776 S * 7/1997 Potente D30/110
 5,642,687 A * 7/1997 Nysten A01K 39/0113
 119/52.3
 5,771,839 A * 6/1998 Marsh A01K 39/012
 119/52.2
 5,924,381 A * 7/1999 Bloedorn A01K 39/012
 119/429
 D414,902 S * 10/1999 Carpenter D30/124
 D425,675 S * 5/2000 Bonder D30/124
 6,154,259 A * 11/2000 Hargis H04N 5/7416
 348/756
 D450,000 S * 11/2001 Van D10/46
 6,477,983 B1 * 11/2002 Bette A01K 31/14
 119/428
 D472,022 S * 3/2003 Thau D32/1
 6,581,540 B1 * 6/2003 LaVanish A01K 39/012
 119/51.01
 D485,398 S * 1/2004 Green D30/124

D485,650 S * 1/2004 Green D30/124
 D530,631 S * 10/2006 Tsuruta D10/46
 D533,555 S * 12/2006 Odhe D14/420
 D604,087 S * 11/2009 Lavy D7/309
 D611,661 S * 3/2010 Llewellyn D30/127
 8,132,802 B2 * 3/2012 Kolodge G01B 11/2425
 250/559.19
 8,490,540 B2 * 7/2013 Webster A47J 31/56
 99/280
 D693,480 S * 11/2013 Spiess D24/232
 D700,607 S * 3/2014 Cederstrom D14/420
 D702,237 S * 4/2014 Oberpriller D14/420
 D720,352 S * 12/2014 Cox D14/420
 D720,895 S * 1/2015 Yates D30/121
 D732,606 S * 6/2015 Chung D18/50
 9,135,488 B2 * 9/2015 Oberpriller G06K 7/1095
 D755,556 S * 5/2016 Bandixen D7/306
 D757,478 S * 5/2016 Bandixen D7/306
 D760,529 S * 7/2016 Hakansson D7/306
 D762,016 S * 7/2016 Yates D30/121
 D770,830 S * 11/2016 Eliav D18/50
 D775,887 S * 1/2017 Atkin D7/306
 2005/0072605 A1 * 4/2005 Kunzi G01G 23/38
 177/126
 2010/0024736 A1 * 2/2010 Davis A01K 7/00
 119/51.11
 2014/0182518 A1 * 7/2014 Boehm A01K 5/0291
 119/429
 2015/0216145 A1 * 8/2015 Nelson A01K 39/0113
 119/51.02
 2015/0342153 A1 * 12/2015 Hudepohl A01K 39/01
 119/57.8

* cited by examiner

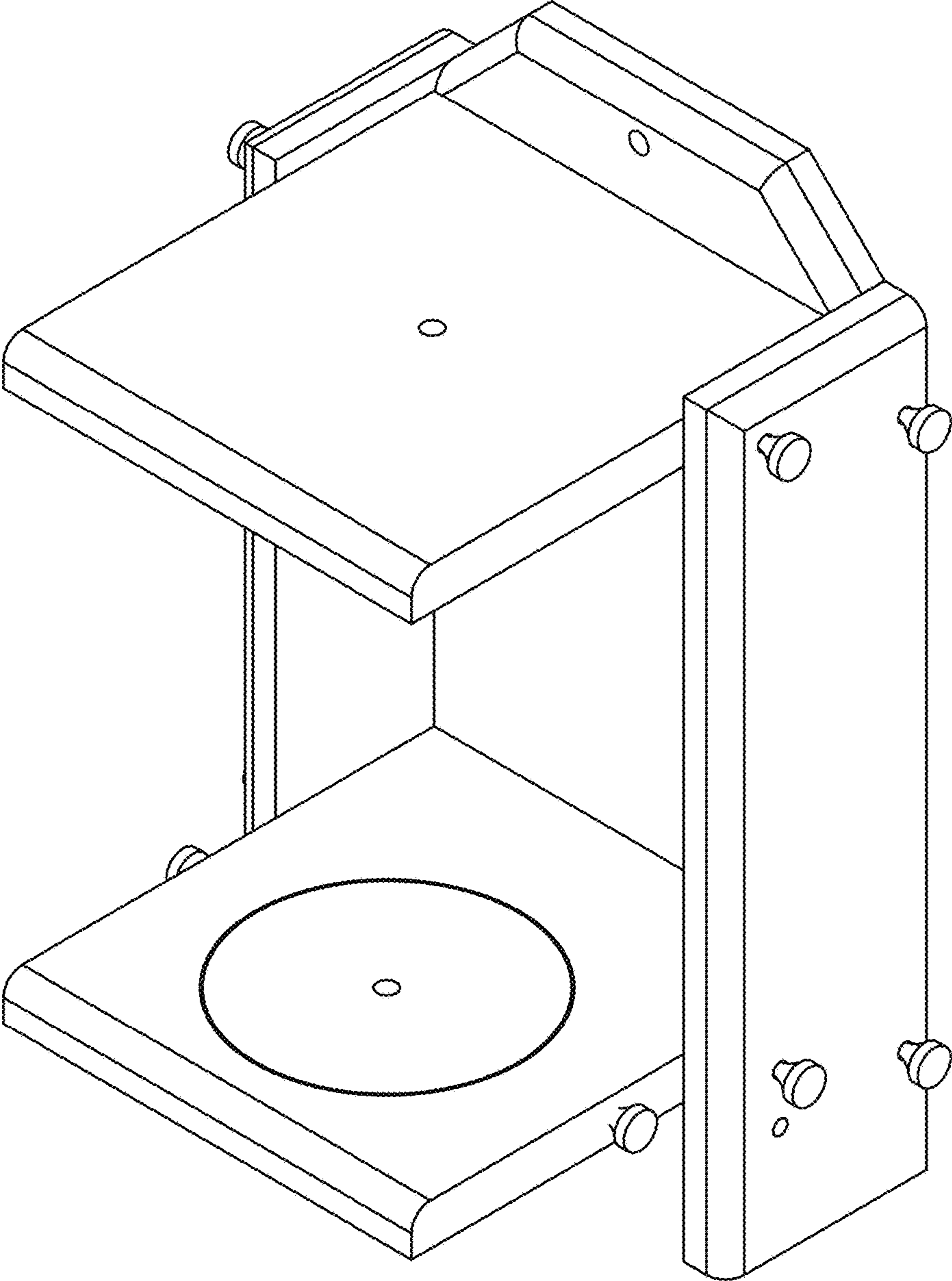


Fig. 1

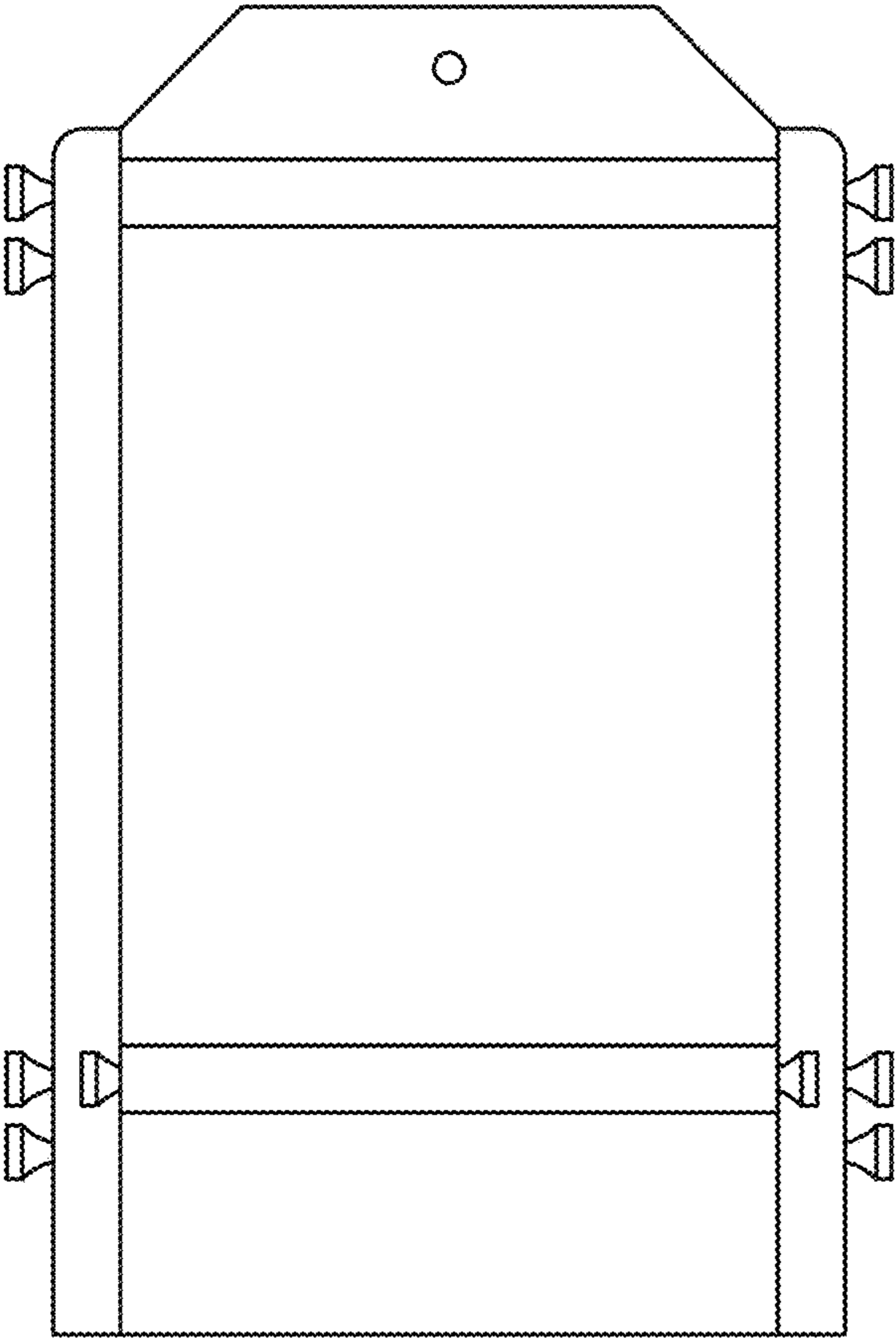


Fig. 2

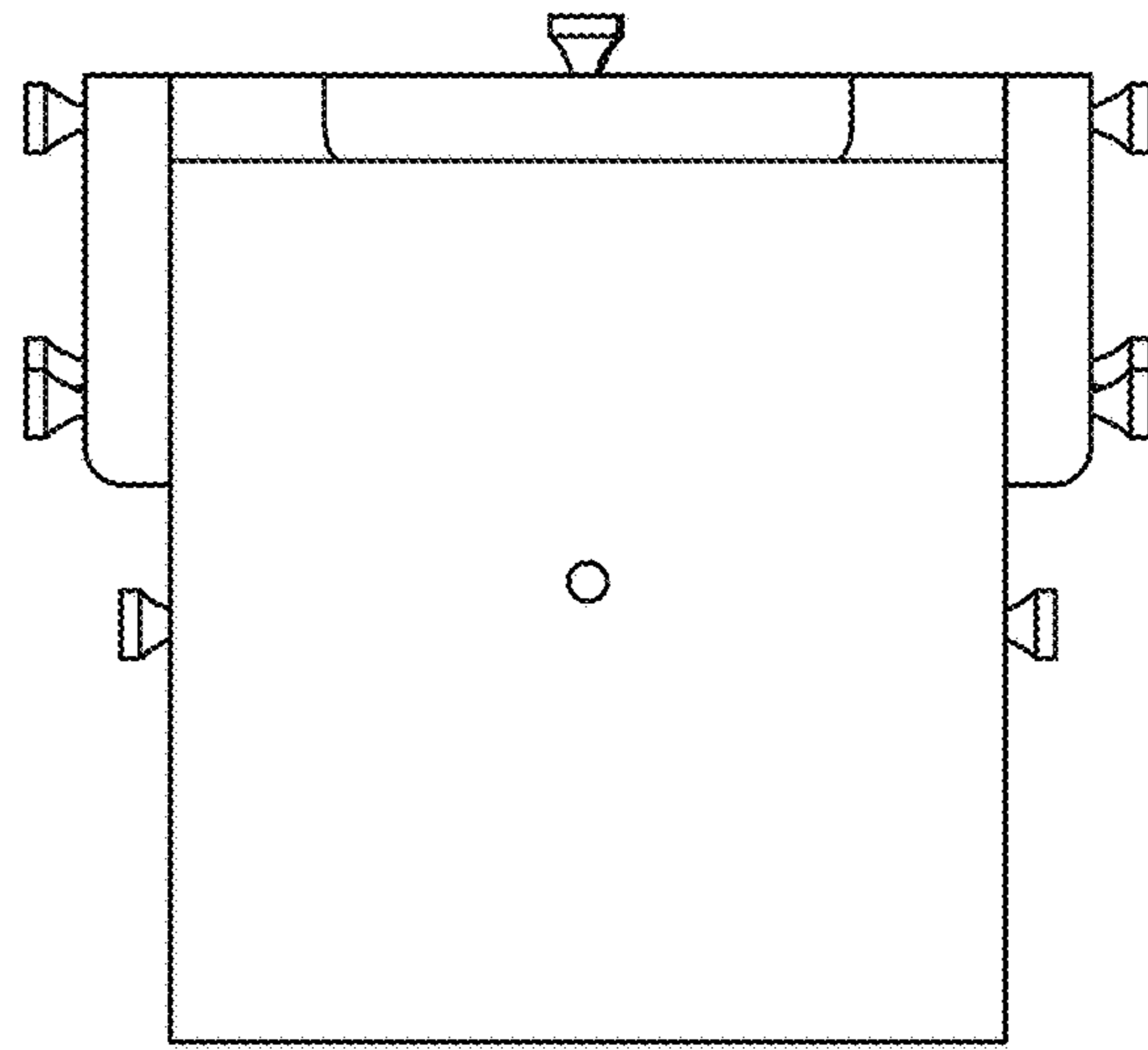


Fig. 3

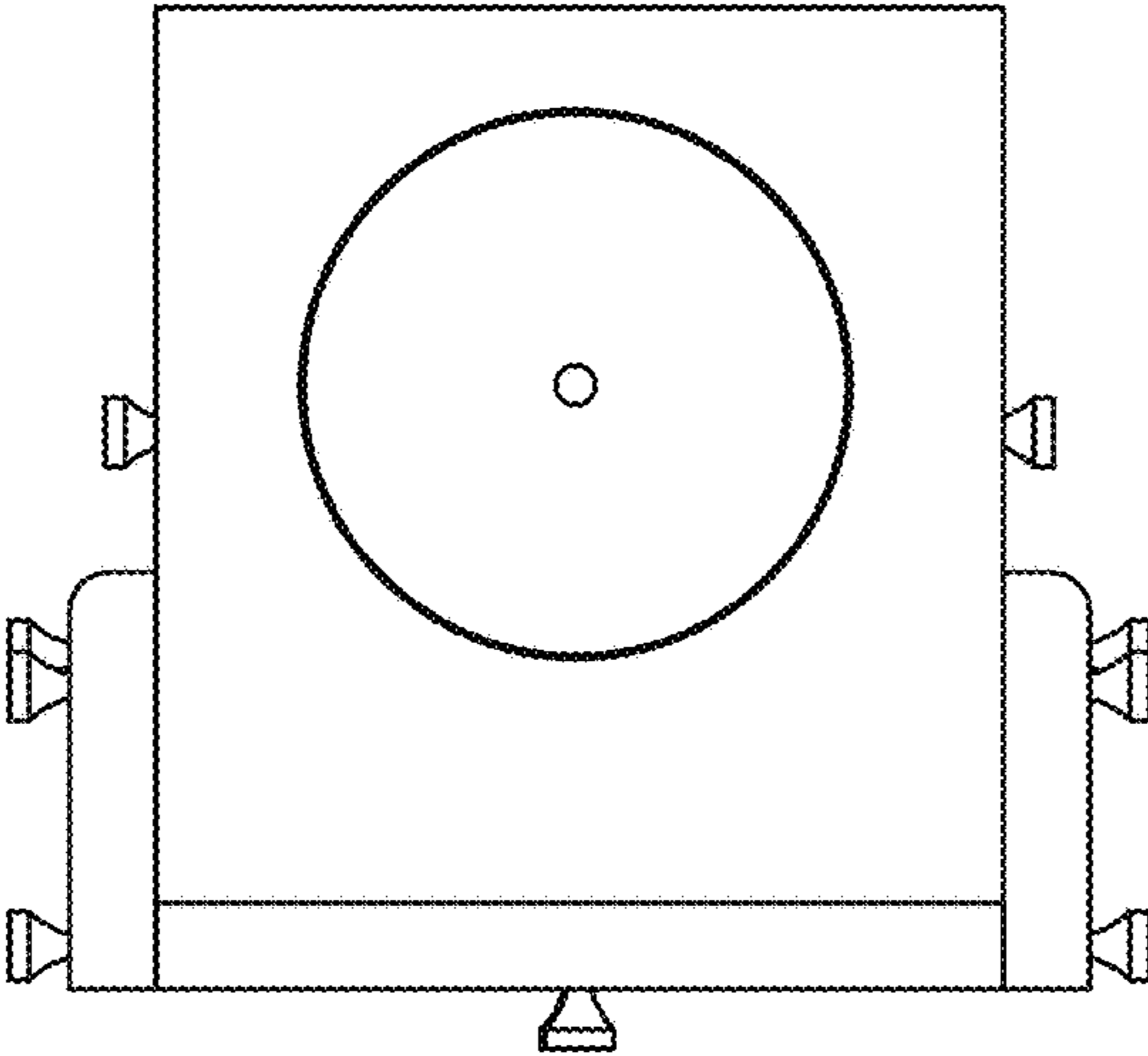


Fig. 4

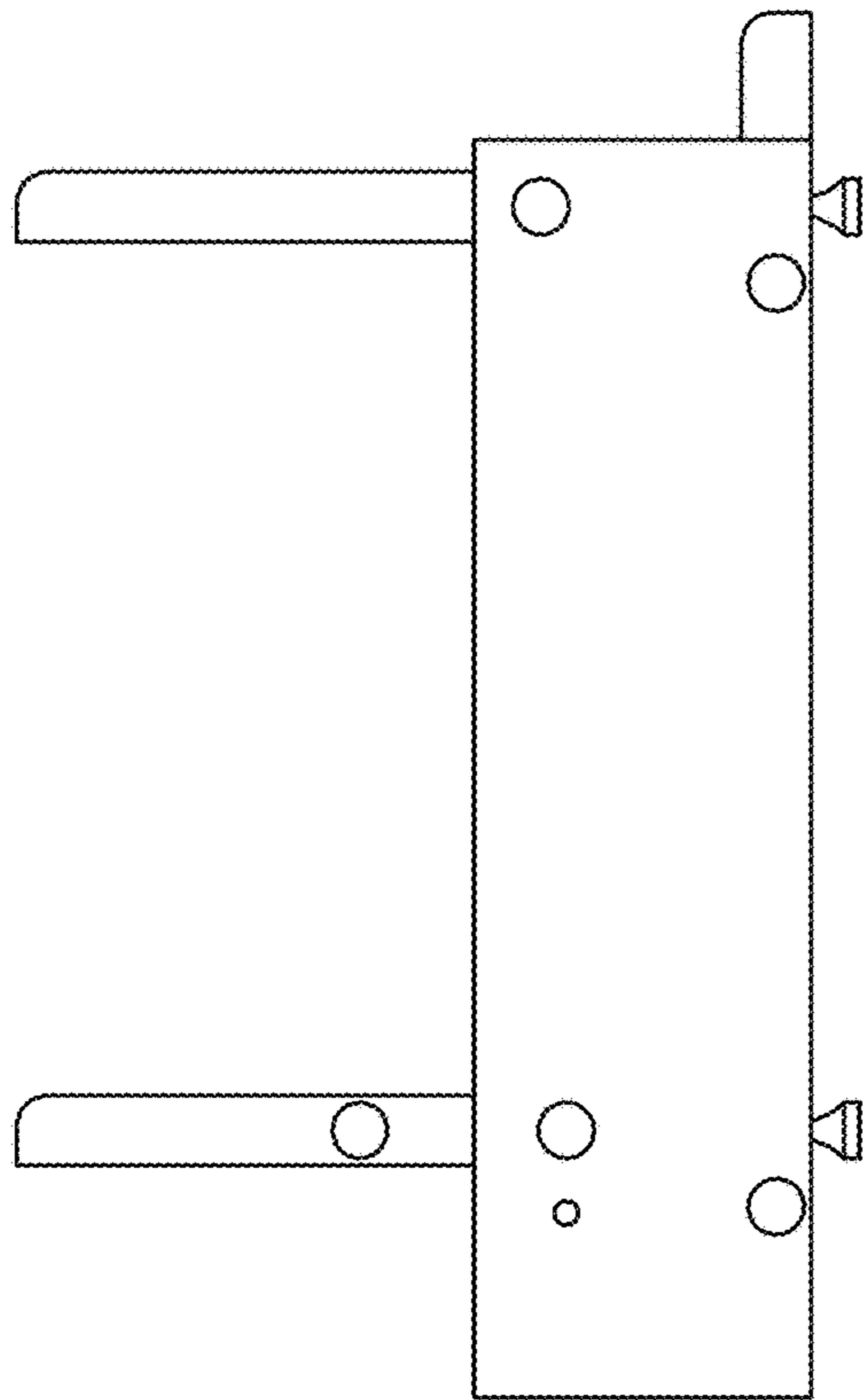


Fig. 5

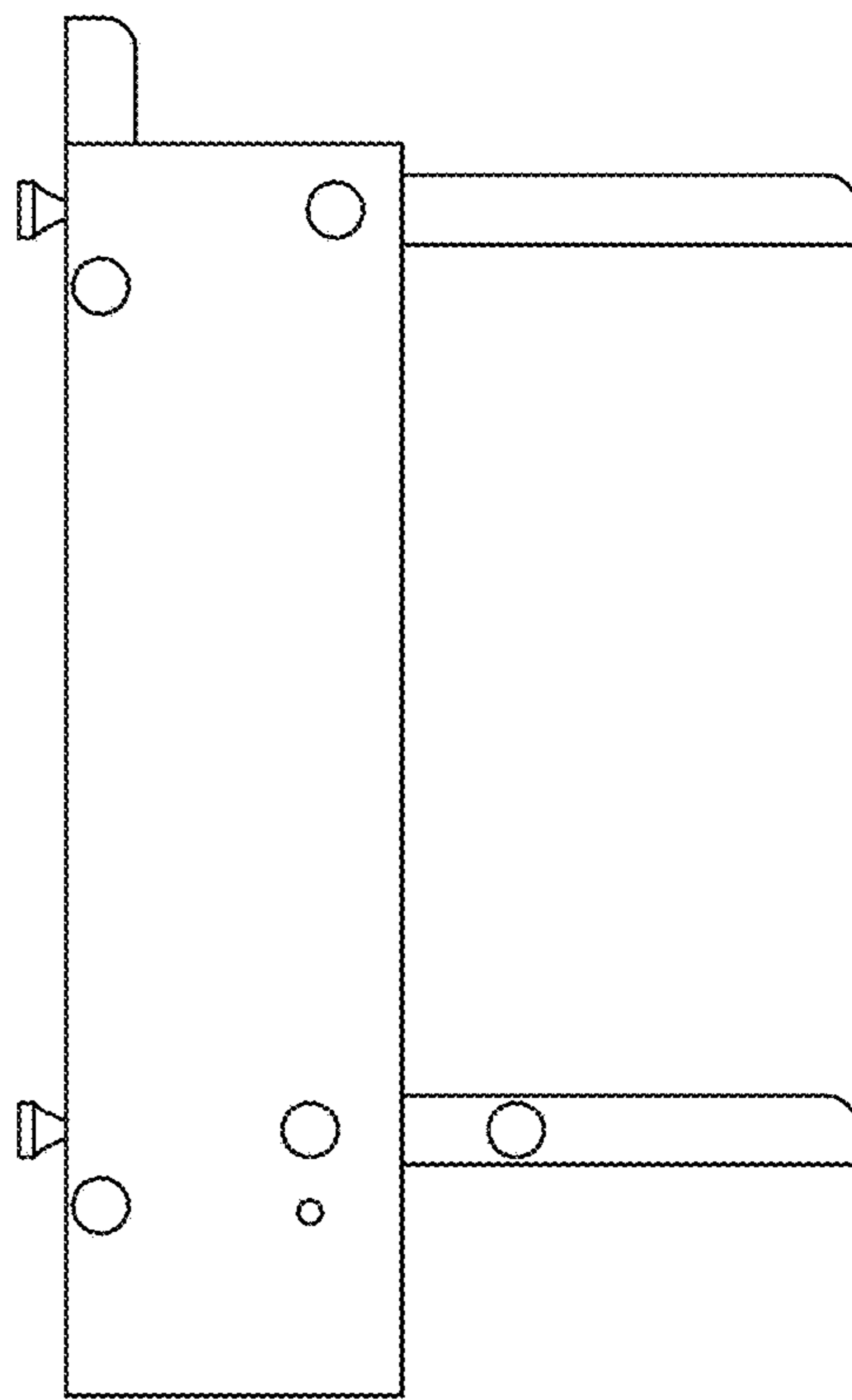


Fig. 6

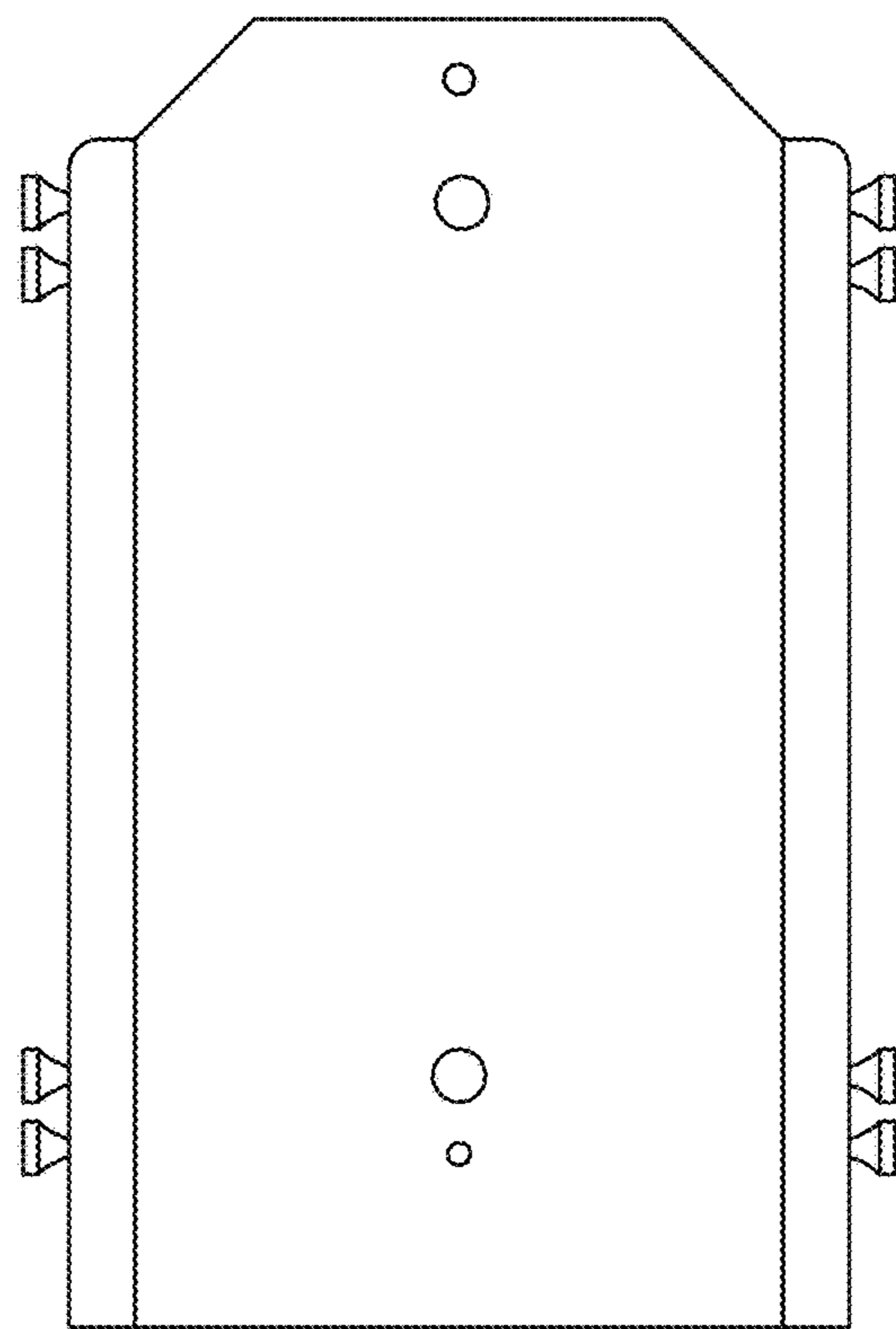


Fig. 7