



US00D791412S

(12) **United States Design Patent**
Barker

(10) **Patent No.:** **US D791,412 S**

(45) **Date of Patent:** **** Jul. 4, 2017**

(54) **ANIMAL REARING ENCLOSURE**
(71) Applicant: **Midland Pig Producers Limited,**
Burton-on-Trent (GB)
(72) Inventor: **Martin James Barker,** Burton-on-Trent
(GB)
(73) Assignee: **Midland Pig Producers Limited,**
Burton-on-Trent (GB)
(**) Term: **15 Years**

D249,713 S * 9/1978 Gilbertson D30/113
4,121,538 A * 10/1978 Van Gilst A01K 1/0218
119/507
4,177,762 A * 12/1979 Borcharding A01K 1/0218
119/507
D256,284 S * 8/1980 Dill D30/113
4,217,859 A * 8/1980 Herring A01K 1/0158
119/508
D258,093 S * 1/1981 Pinkelman D30/113
4,287,855 A * 9/1981 Gibson A01K 1/0218
119/503
4,502,414 A * 3/1985 Paulsen A01K 1/0218
119/507
D351,260 S * 10/1994 Taylor D30/119
(Continued)

(21) Appl. No.: **29/545,216**

(22) Filed: **Nov. 10, 2015**

(30) **Foreign Application Priority Data**

May 11, 2015 (AR) 88428
Aug. 6, 2015 (CN) 2015 3 02934730

(51) **LOC (10) Cl.** **30-02**

(52) **U.S. Cl.**
USPC **D30/113**

(58) **Field of Classification Search**
USPC D30/108-109, 113-118
CPC A01K 1/02; A01K 29/00; A01K 1/0029;
A01K 1/0218; A01K 3/00
See application file for complete search history.

(56) **References Cited**

U.S. PATENT DOCUMENTS

3,237,600 A * 3/1966 Behrens A01K 1/0218
119/506
3,307,519 A * 3/1967 Rink A01K 1/0218
119/507
3,905,334 A * 9/1975 Stevenson A01K 1/0218
119/509
4,006,715 A * 2/1977 Redmon A01K 1/0218
119/506
4,034,716 A * 7/1977 Fleming A01K 29/00
119/847

FOREIGN PATENT DOCUMENTS

WO 2011128679 A1 10/2011

OTHER PUBLICATIONS

360° Freedom Farrower Safer All Around brochure, Midland Pig Producers Ltd., Sep. 2014.

Primary Examiner — Cathy Anne MacCormac
(74) *Attorney, Agent, or Firm* — Corridor Law Group, P.C.

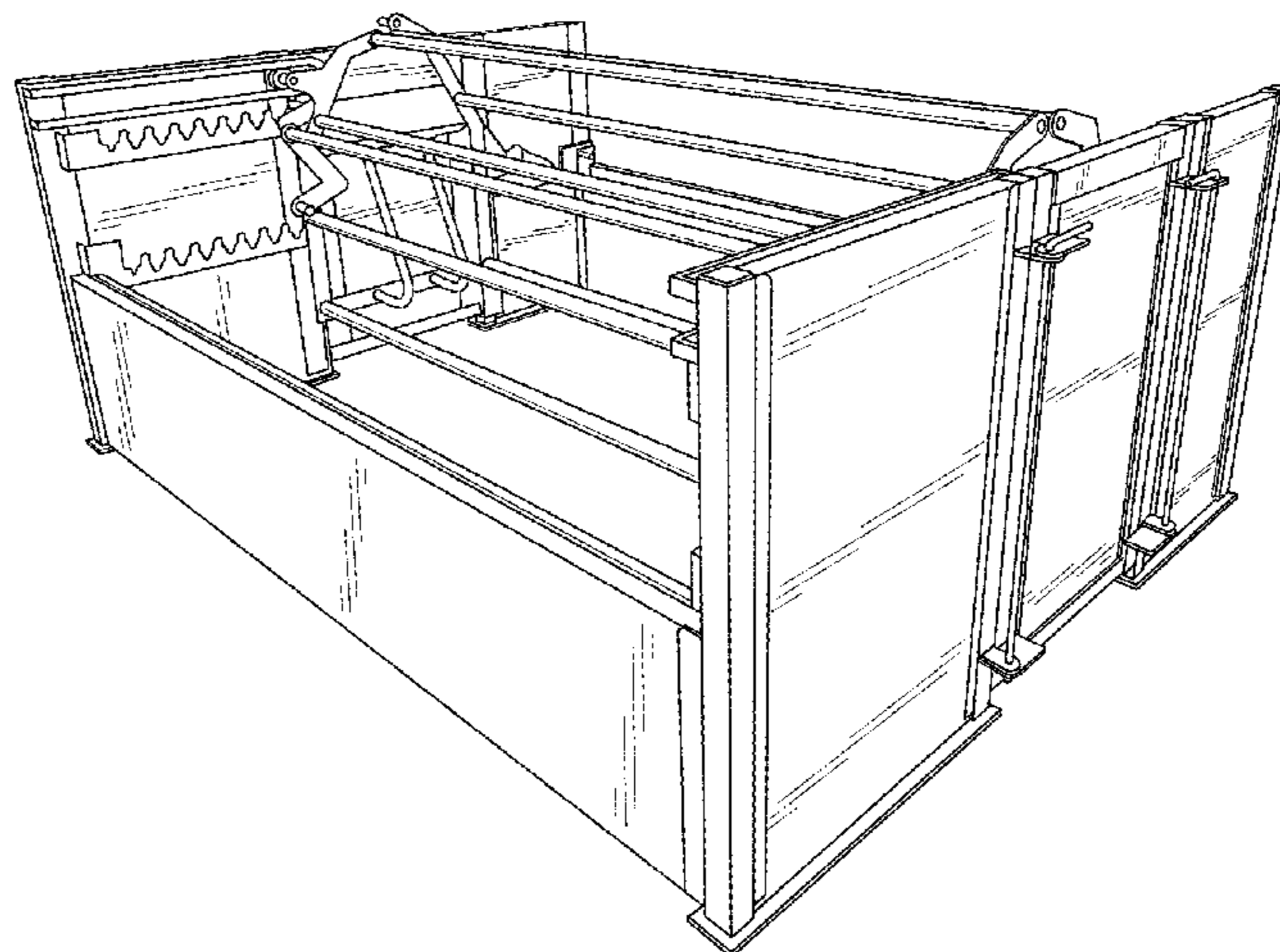
(57) **CLAIM**

The ornamental design for an animal rearing enclosure, as shown and described.

DESCRIPTION

FIG. 1 is a top, front and right side perspective view of an animal rearing enclosure showing the new design; FIG. 2 is a top, front and left side perspective view thereof; FIG. 3 is a front elevation view thereof; FIG. 4 is a back elevation view thereof; FIG. 5 is a right side elevation view thereof; FIG. 6 is a left side elevation view thereof; and, FIG. 7 is a top plan view thereof.

1 Claim, 4 Drawing Sheets



(56)

References Cited

U.S. PATENT DOCUMENTS

5,622,138 A * 4/1997 Underhill A01K 1/0218
119/503
6,116,190 A * 9/2000 Kitt A01K 1/0218
119/503
6,382,135 B1 * 5/2002 Van Grootheest ... A01K 1/0218
119/506

* cited by examiner

Fig. 1

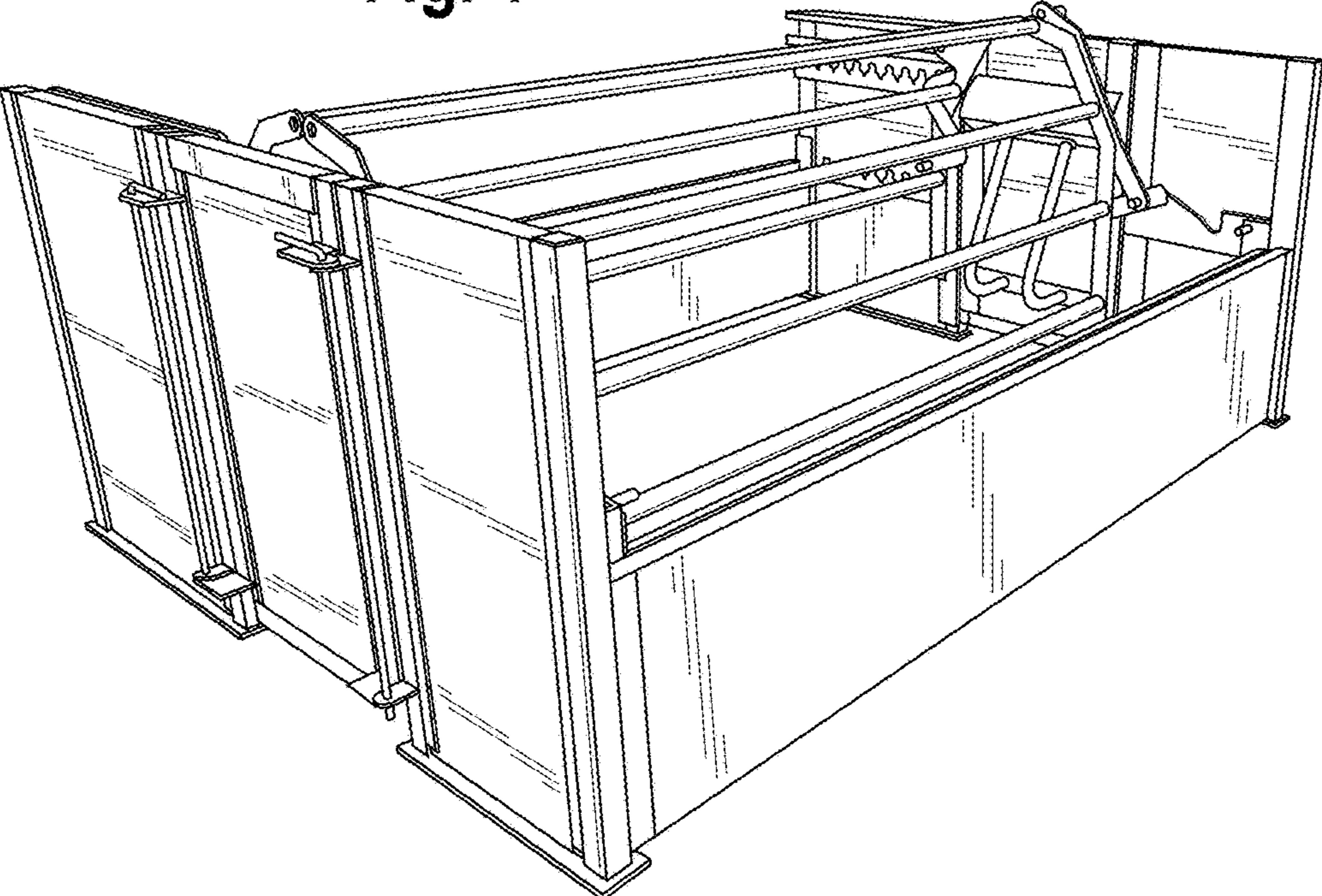


Fig. 2

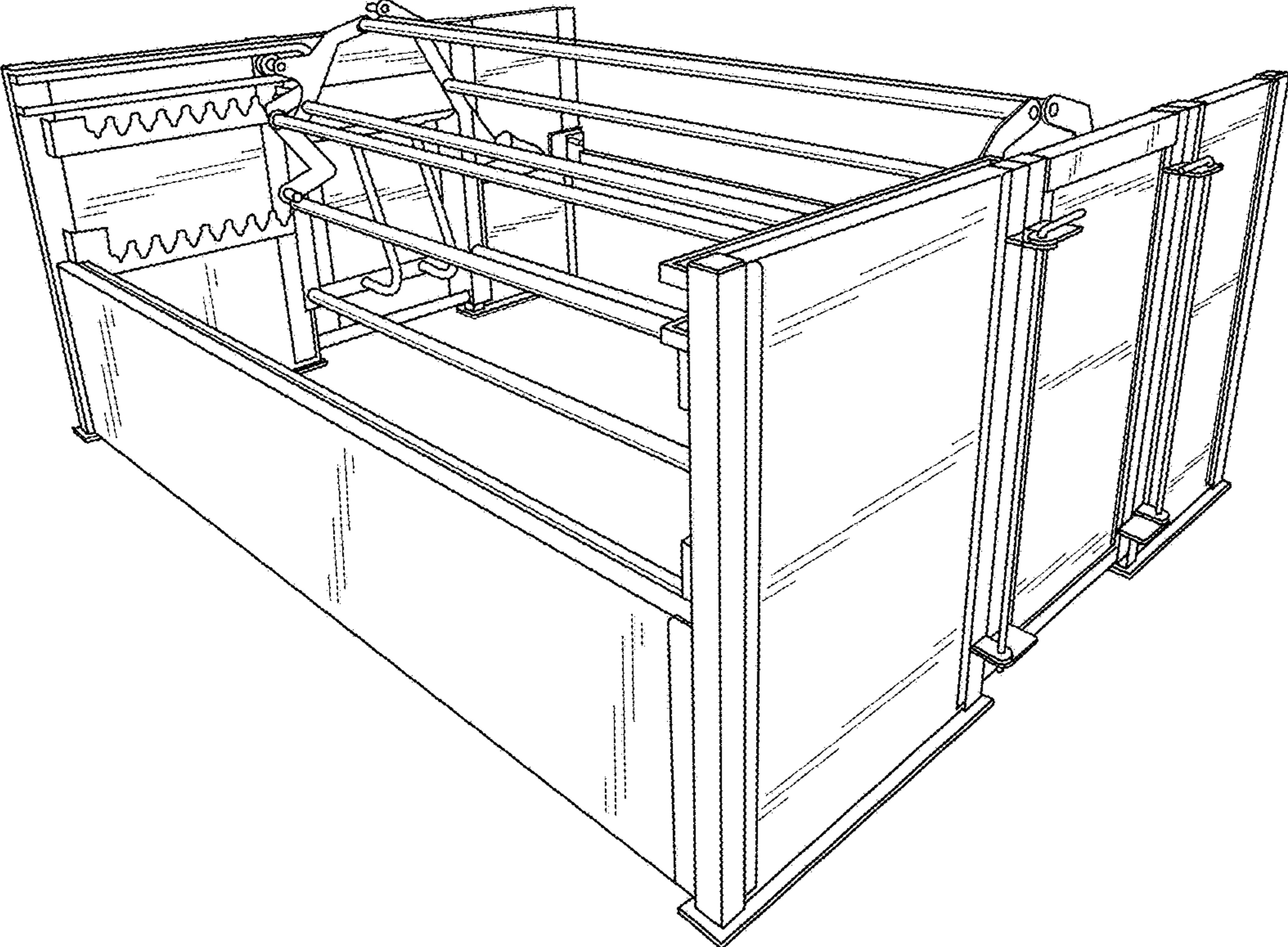


Fig. 3

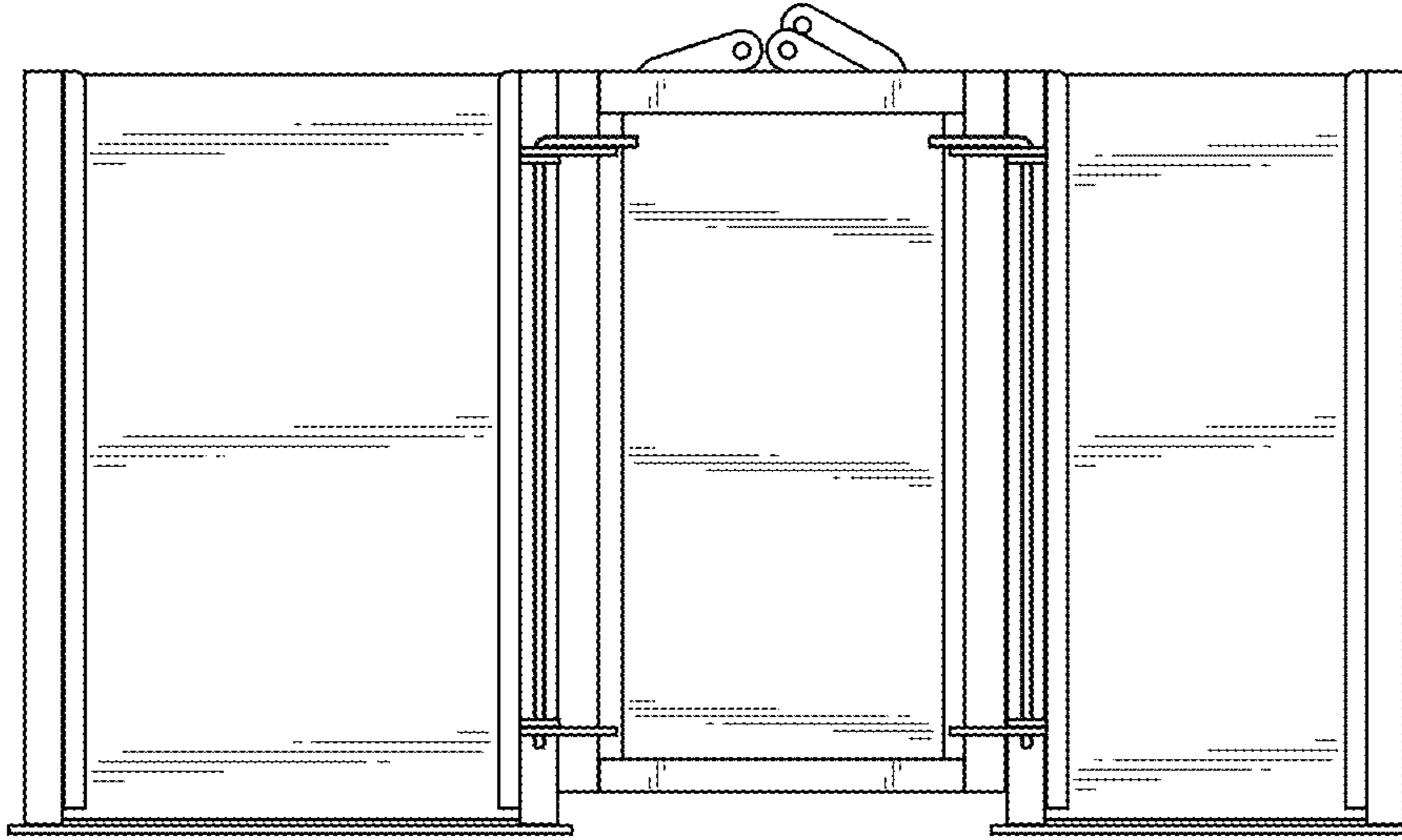


Fig. 4

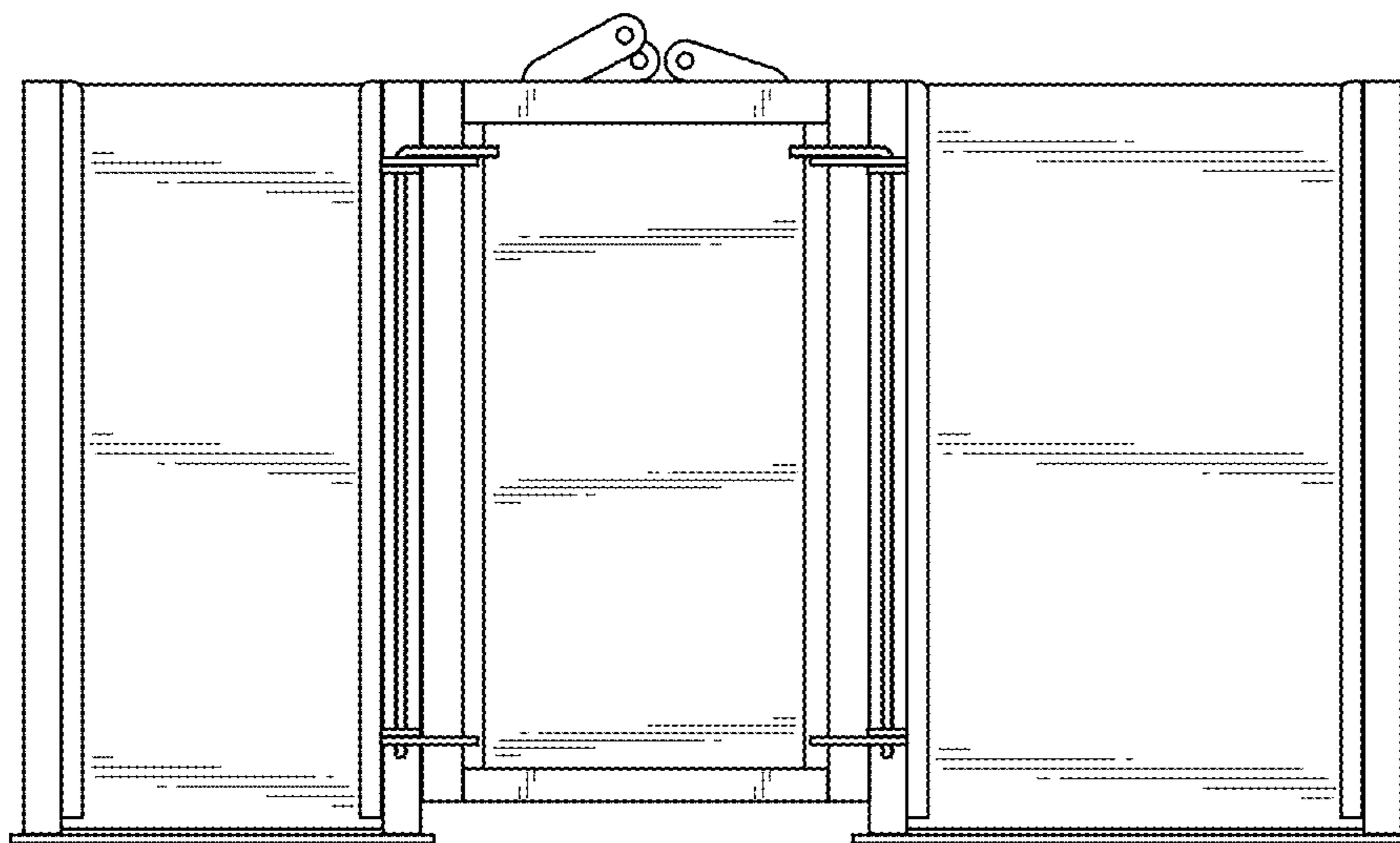


Fig. 5

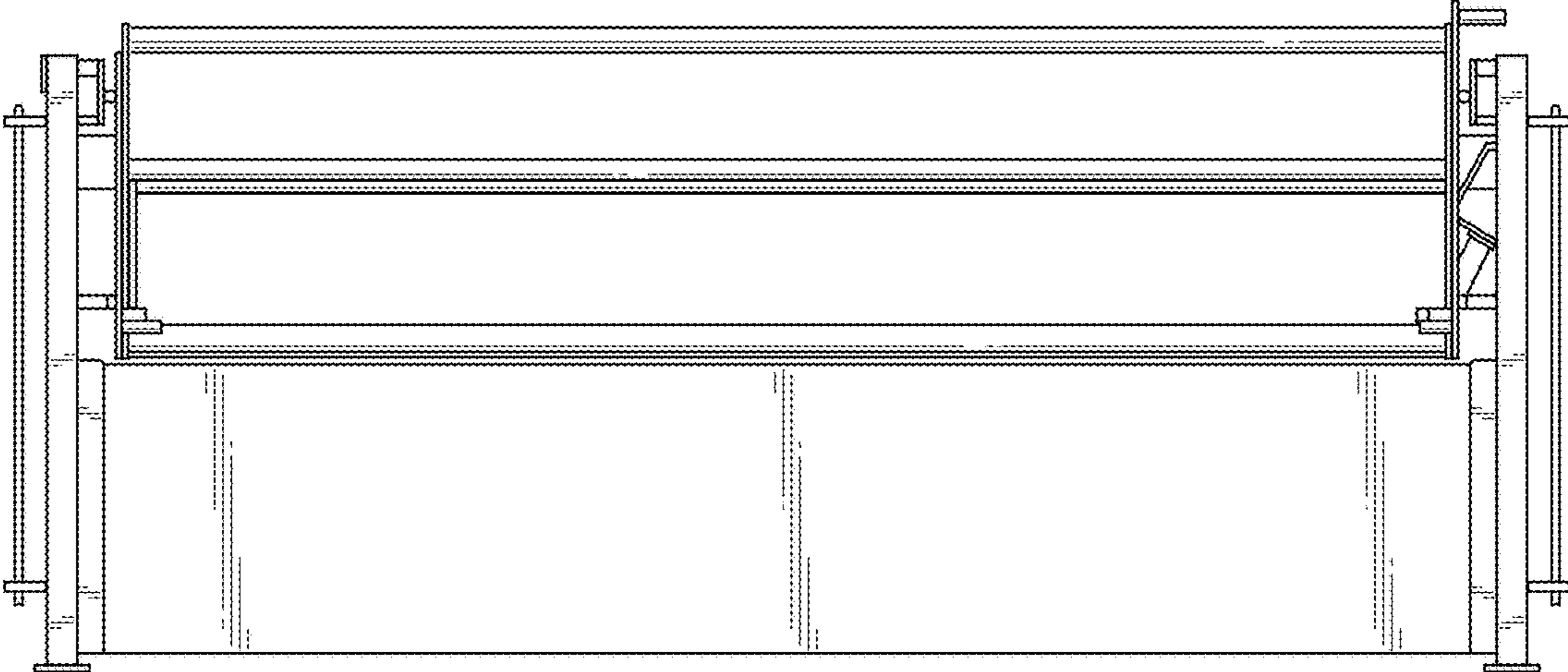


Fig. 6

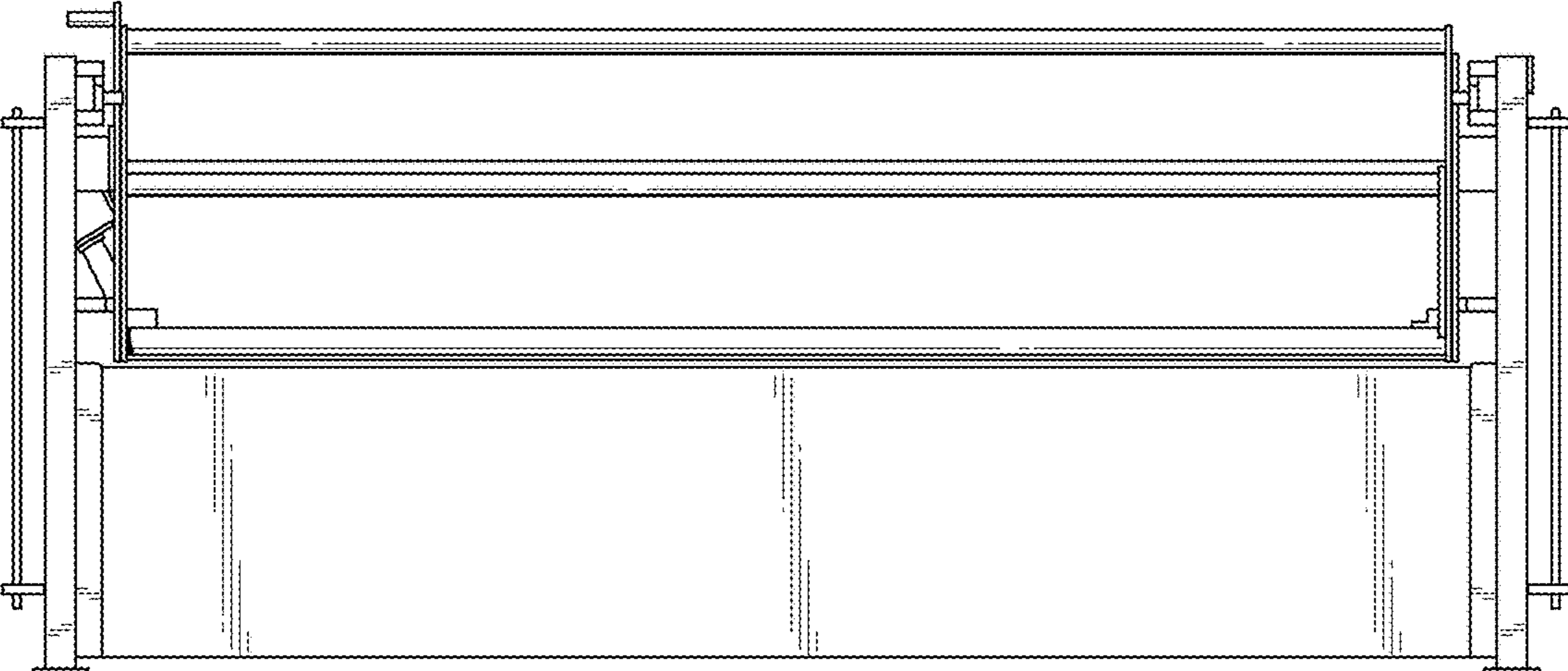


Fig. 7

