



US00D791410S

(12) **United States Design Patent** (10) **Patent No.:** **US D791,410 S**
Whittaker et al. (45) **Date of Patent:** **** Jul. 4, 2017**

(54) **COMB ATTACHMENT FOR HAIR CLIPPERS**

(71) Applicant: **WAHL CLIPPER CORPORATION**,
Sterling, IL (US)

(72) Inventors: **Matthew Whittaker**, Sterling, IL (US);
Jeff Fleming, Orlando, FL (US)

(73) Assignee: **Wahl Clipper Corporation**, Sterling,
IL (US)

(**) Term: **15 Years**

(21) Appl. No.: **29/558,624**

(22) Filed: **Mar. 18, 2016**

(51) **LOC (10) Cl.** **28-03**

(52) **U.S. Cl.**
USPC **D28/54**

(58) **Field of Classification Search**
USPC D28/49-54
CPC . B26B 21/40; B26B 21/4018; B26B 21/4025;
B26B 21/42; B26B 21/4043; B26B
19/3813; B26B 19/20
See application file for complete search history.

(56) **References Cited**

U.S. PATENT DOCUMENTS

3,844,036	A	10/1974	Wahl et al.	
5,937,526	A	8/1999	Wahl et al.	
6,079,103	A *	6/2000	Melton	B26B 19/20 30/43.92
D558,400	S *	12/2007	Micinilio	D28/54
D559,456	S *	1/2008	Melton	D28/54
D565,793	S *	4/2008	Wallace	D28/54
8,136,253	B2 *	3/2012	Zoot	B26B 19/22 30/195
D658,331	S	4/2012	Yoon	
8,528,216	B2 *	9/2013	Melton	A45D 24/36 30/200
D748,862	S *	2/2016	Aulwes	D28/54
2008/0005908	A1 *	1/2008	Melton	A45D 24/36 30/233.5

2008/0072437	A1 *	3/2008	Michel	A45D 24/22 30/201
2008/0289192	A1 *	11/2008	Martelli	B26B 19/20 30/233.5
2009/0019706	A1 *	1/2009	Werner	B26B 19/3813 30/233.5
2009/0113722	A1 *	5/2009	Werner	B26B 19/3813 30/200
2011/0061243	A1 *	3/2011	Smit	B26B 19/20 30/233.5

(Continued)

Primary Examiner — Jennifer Rivard

(74) *Attorney, Agent, or Firm* — Greer Burns & Crain
Ltd.

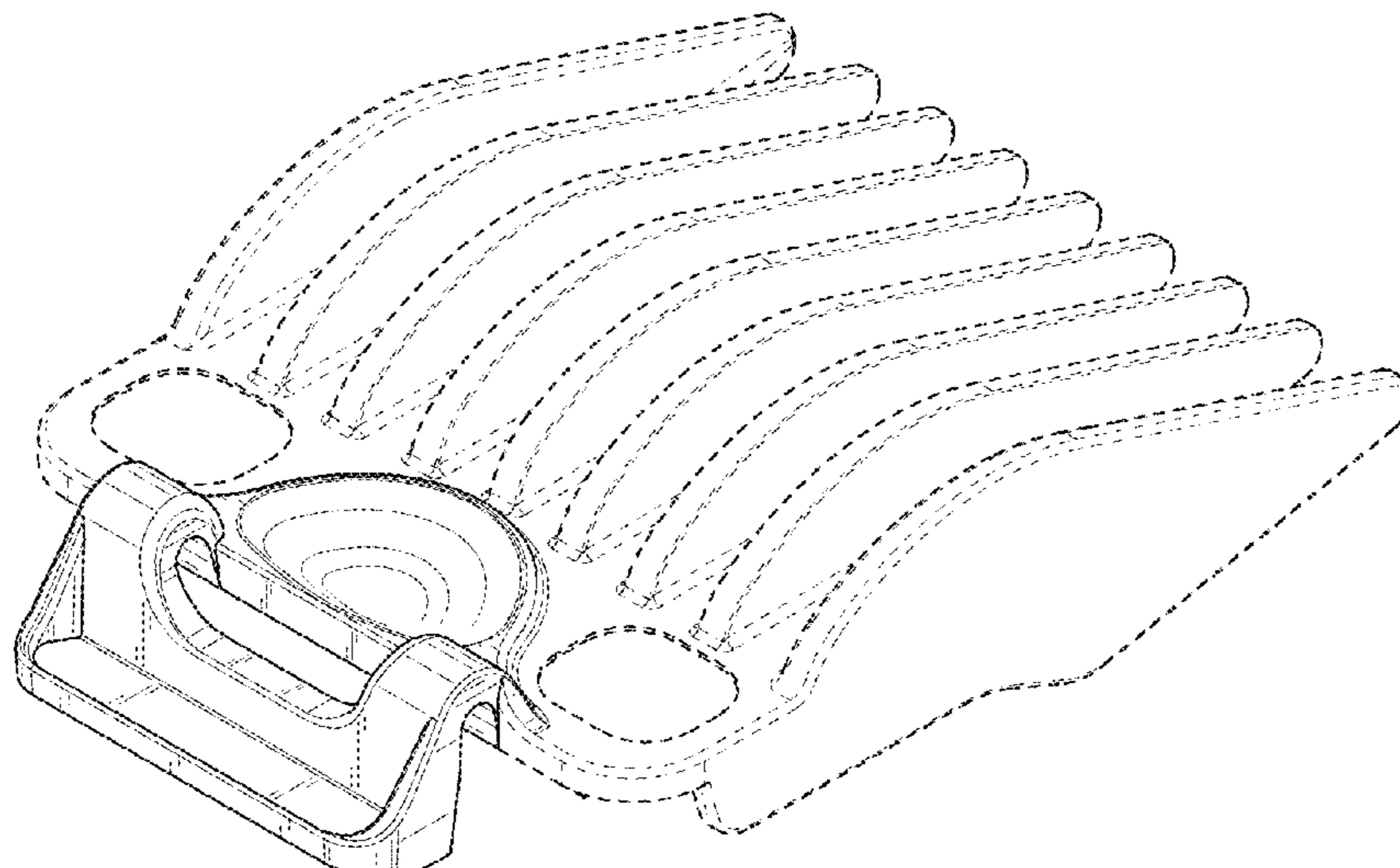
(57) **CLAIM**

The ornamental design for a comb attachment for hair
clippers, as shown and described.

DESCRIPTION

FIG. 1 is a perspective view of the comb attachment for hair
clippers showing our new design;
FIG. 2 is a rear view of the comb attachment for hair
clippers of FIG. 1;
FIG. 3 is a front view of the comb attachment for hair
clippers of FIG. 1;
FIG. 4 is a left side view of the comb attachment for hair
clippers of FIG. 1;
FIG. 5 is a right side view of the comb attachment for hair
clippers of FIG. 1;
FIG. 6 is a top view of the comb attachment for hair
clippers of FIG. 1;
FIG. 7 is a bottom view of the comb attachment for hair
clippers of FIG. 1; and,
FIG. 8 is sectional view of the comb attachment for hair
clippers of FIG. 1, taken along lines 8-8 in FIG. 2.
In the drawings, the broken lines represent environmental
structure only and form no part of the claimed design.

1 Claim, 6 Drawing Sheets



(56)

References Cited

U.S. PATENT DOCUMENTS

2011/0146084 A1* 6/2011 Melton A45D 24/36
30/233.5
2013/0219724 A1* 8/2013 Werner B26B 19/06
30/201
2014/0215832 A1* 8/2014 Julemont B26B 19/20
30/200
2014/0331504 A1* 11/2014 Michel B26B 19/3813
30/233.5
2014/0352158 A1* 12/2014 McCambridge B26B 19/06
30/200

* cited by examiner

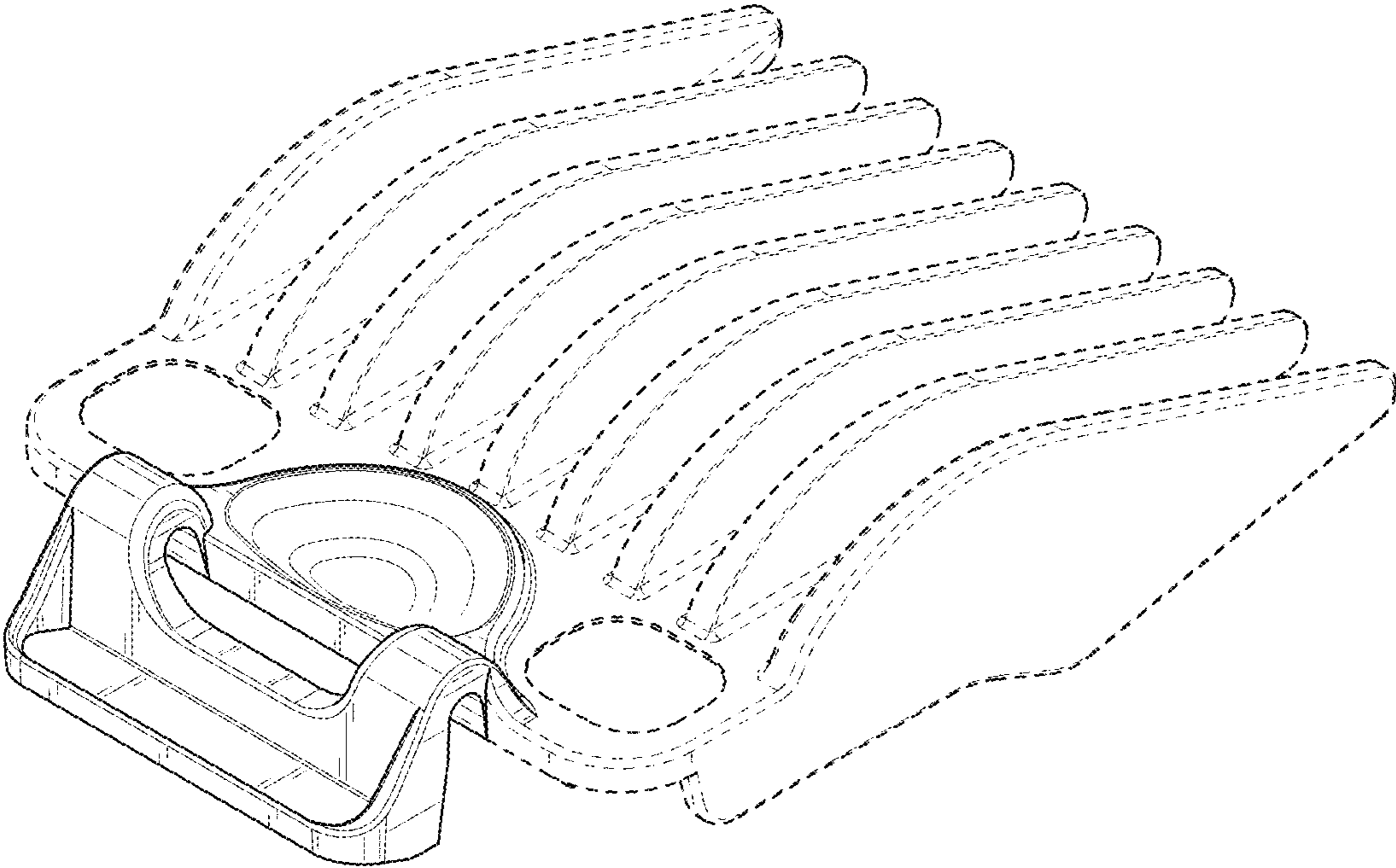


FIG. 1

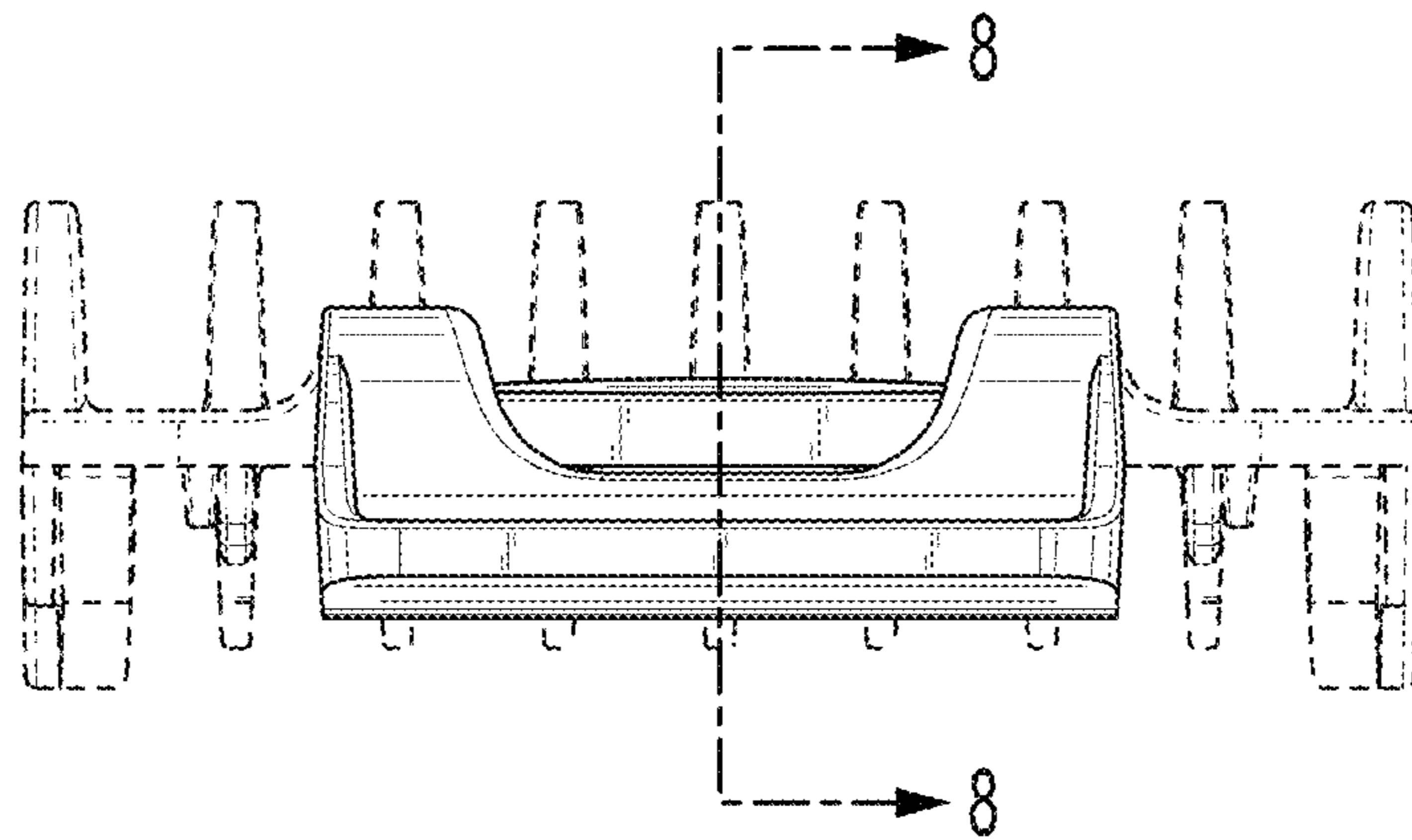


FIG. 2

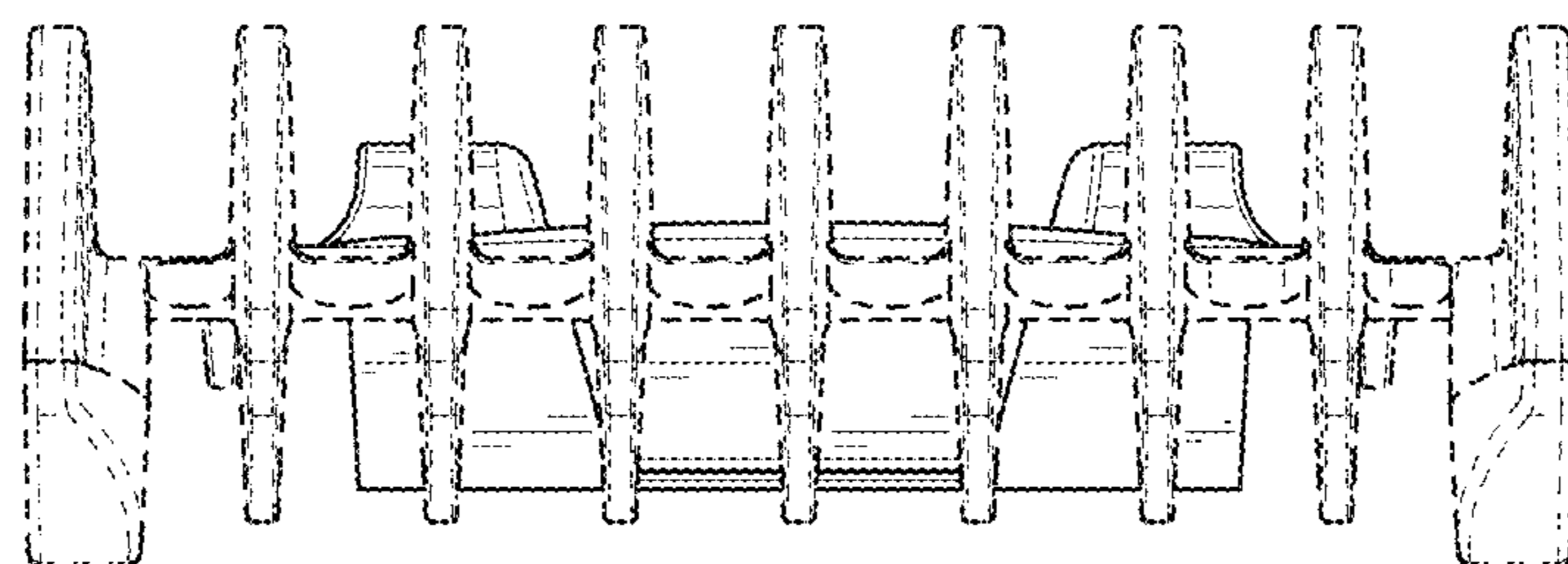


FIG. 3

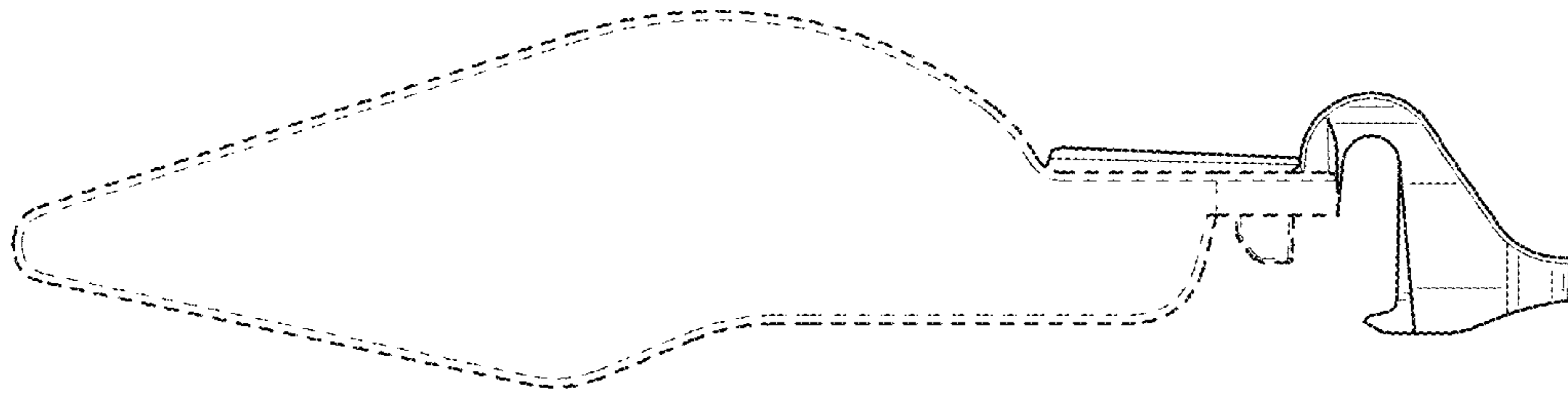


FIG. 4

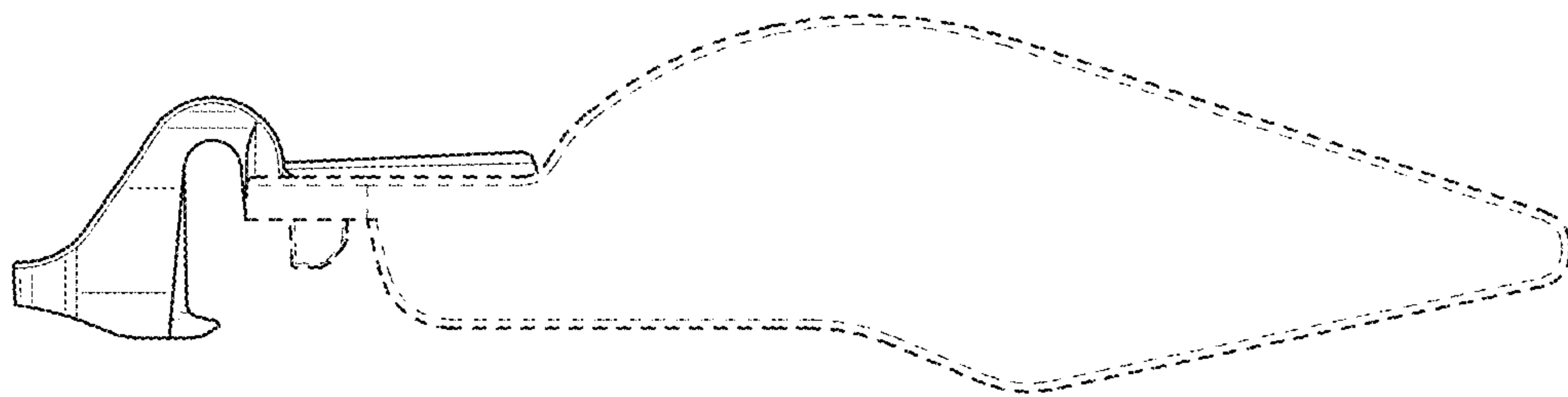


FIG. 5

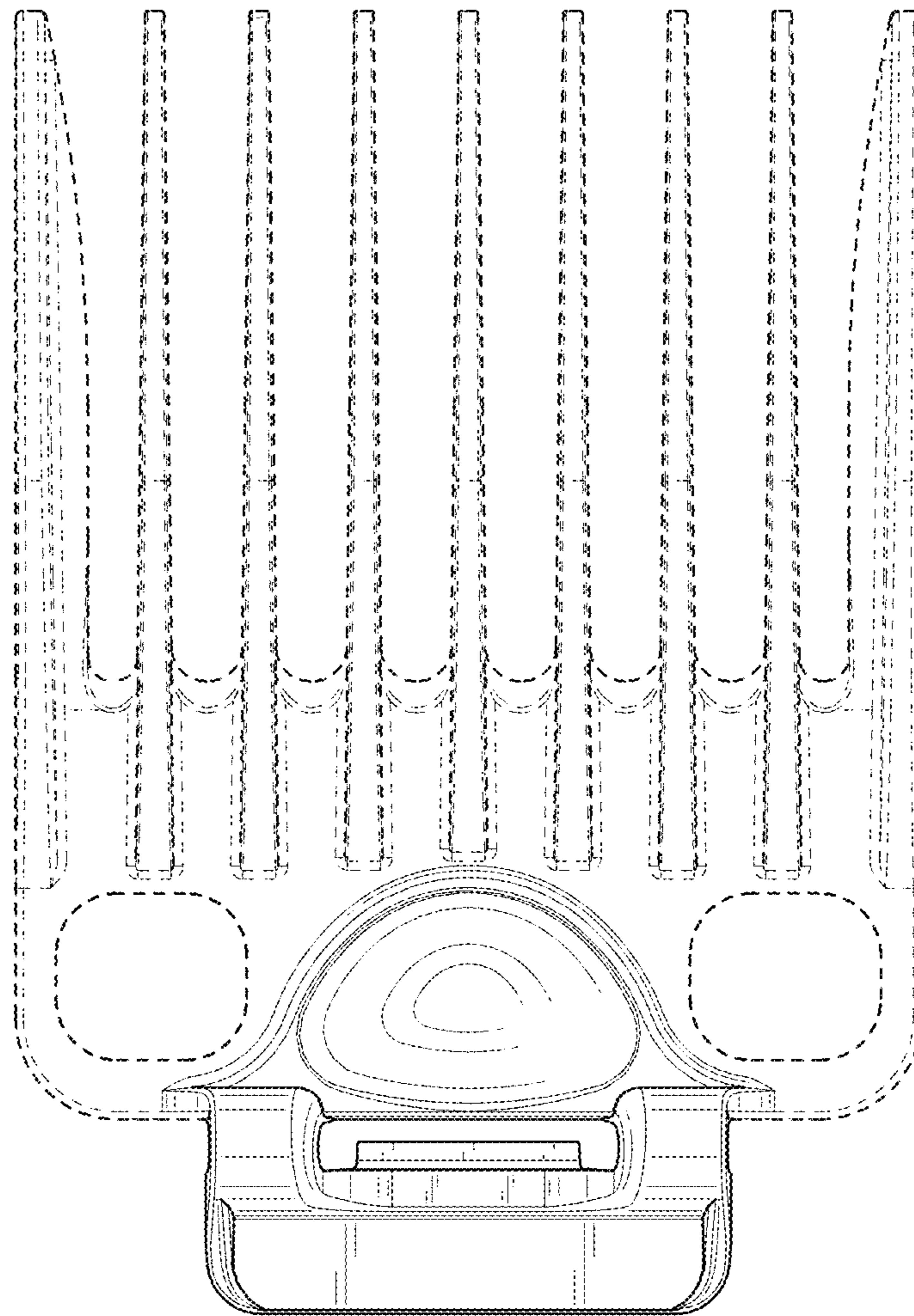


FIG. 6

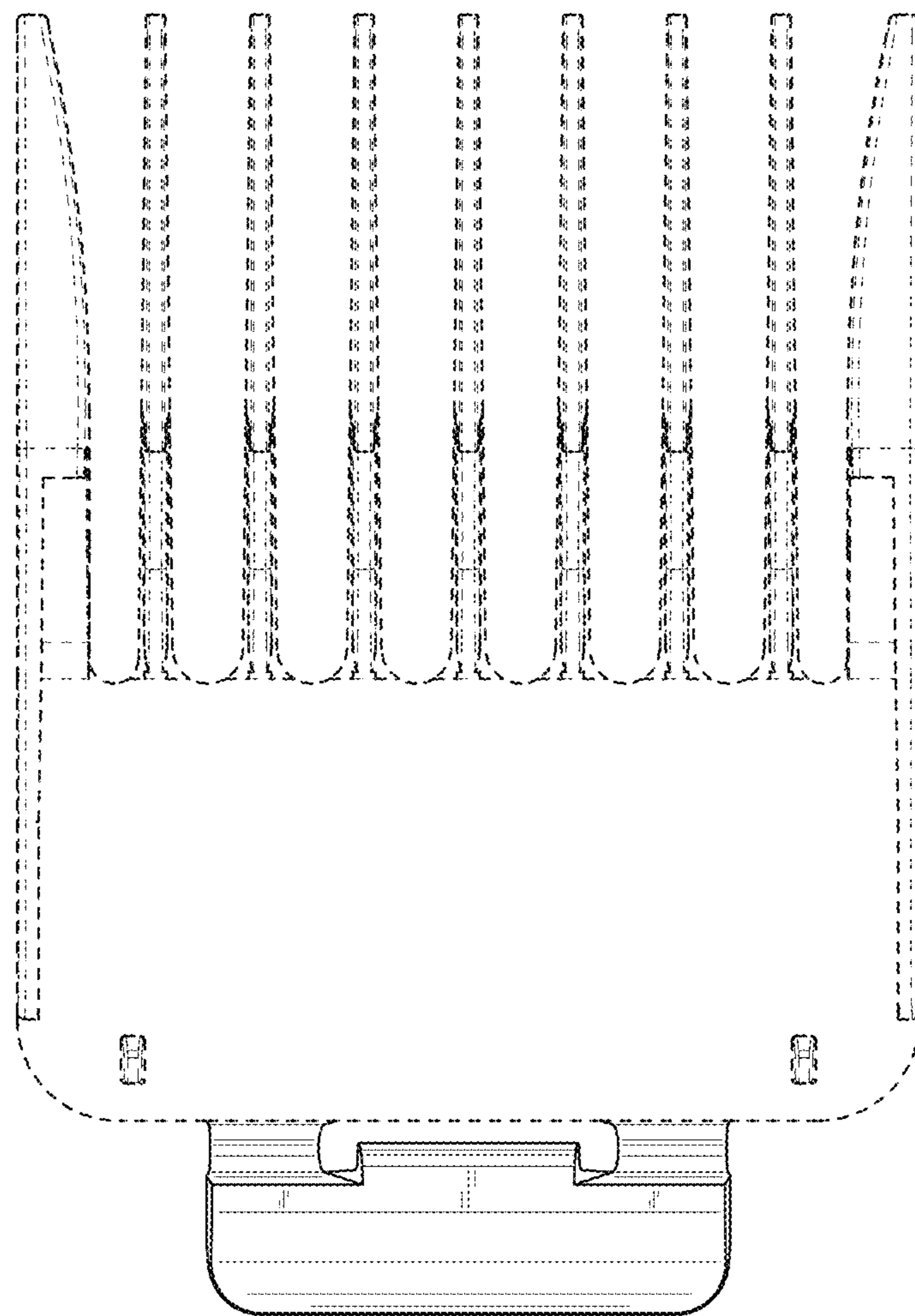


FIG. 7

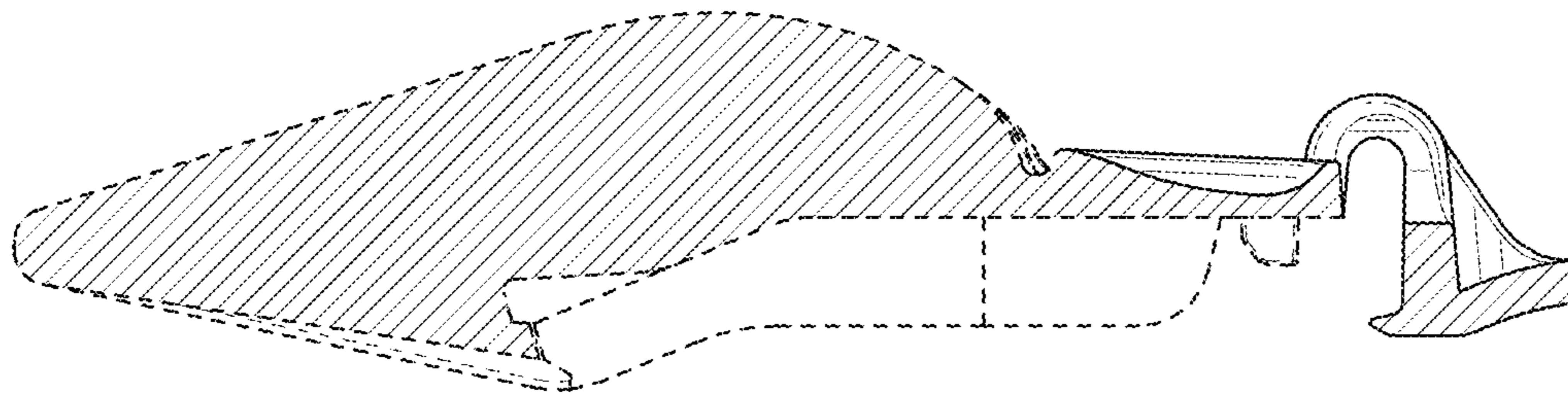


FIG. 8