



US00D791409S

(12) **United States Design Patent** (10) **Patent No.:** **US D791,409 S**
Eagleton et al. (45) **Date of Patent:** **** Jul. 4, 2017**

(54) **RAZOR HANDLE**

(56) **References Cited**

(71) Applicant: **The Gillette Company**, Boston, MA (US)

U.S. PATENT DOCUMENTS

(72) Inventors: **Christopher Raymond Eagleton**, Devizes (GB); **Terence Gordon Royle**, Basingstoke (GB); **Rosanna Elizabeth Wells**, Sudbury (GB); **Vanessa Christie**, Boston, MA (US); **Andrew Anthony Szczepanowski**, North Attleboro, MA (US)

971,772 A	10/1910	Millar	
1,234,834 A	7/1917	Warren	
2,338,880 A	1/1944	Testi	
2,534,861 A *	12/1950	Foltis	B26B 21/06 30/32
D250,664 S	12/1978	Kruger et al.	
4,167,059 A	9/1979	Iten	
4,976,030 A	12/1990	Boyd	
5,129,157 A	7/1992	Wood	
D349,242 S	8/1994	Lazarchik et al.	
D352,568 S	11/1994	Meisner et al.	

(73) Assignee: **The Gillette Company**, Boston, MA (US)

(Continued)

(**) Term: **15 Years**

FOREIGN PATENT DOCUMENTS

(21) Appl. No.: **29/547,076**

WO WO-97/25189 7/1997

(22) Filed: **Dec. 1, 2015**

Primary Examiner — Jennifer Rivard
(74) *Attorney, Agent, or Firm* — Ronald T. Sia; Kevin C. Johnson; Steven W. Miller

Related U.S. Application Data

(62) Division of application No. 29/493,833, filed on Jun. 13, 2014, now Pat. No. Des. 747,550, which is a division of application No. 29/446,053, filed on Feb. 20, 2013, now Pat. No. Des. 710,542.

(51) **LOC (10) Cl.** **28-03**

(52) **U.S. Cl.**
USPC **D28/48**

(58) **Field of Classification Search**
USPC D28/44-48
CPC B26B 21/00-21/12; B26B 21/14; B26B 21/16; B26B 21/165; B26B 21/18; B26B 21/185; B26B 21/20-21/227; B26B 21/24; B26B 21/28; B26B 21/30; B26B 21/32; B26B 21/40; B26B 21/4062; B26B 21/4068; B26B 21/4075; B26B 21/52-21/528

See application file for complete search history.

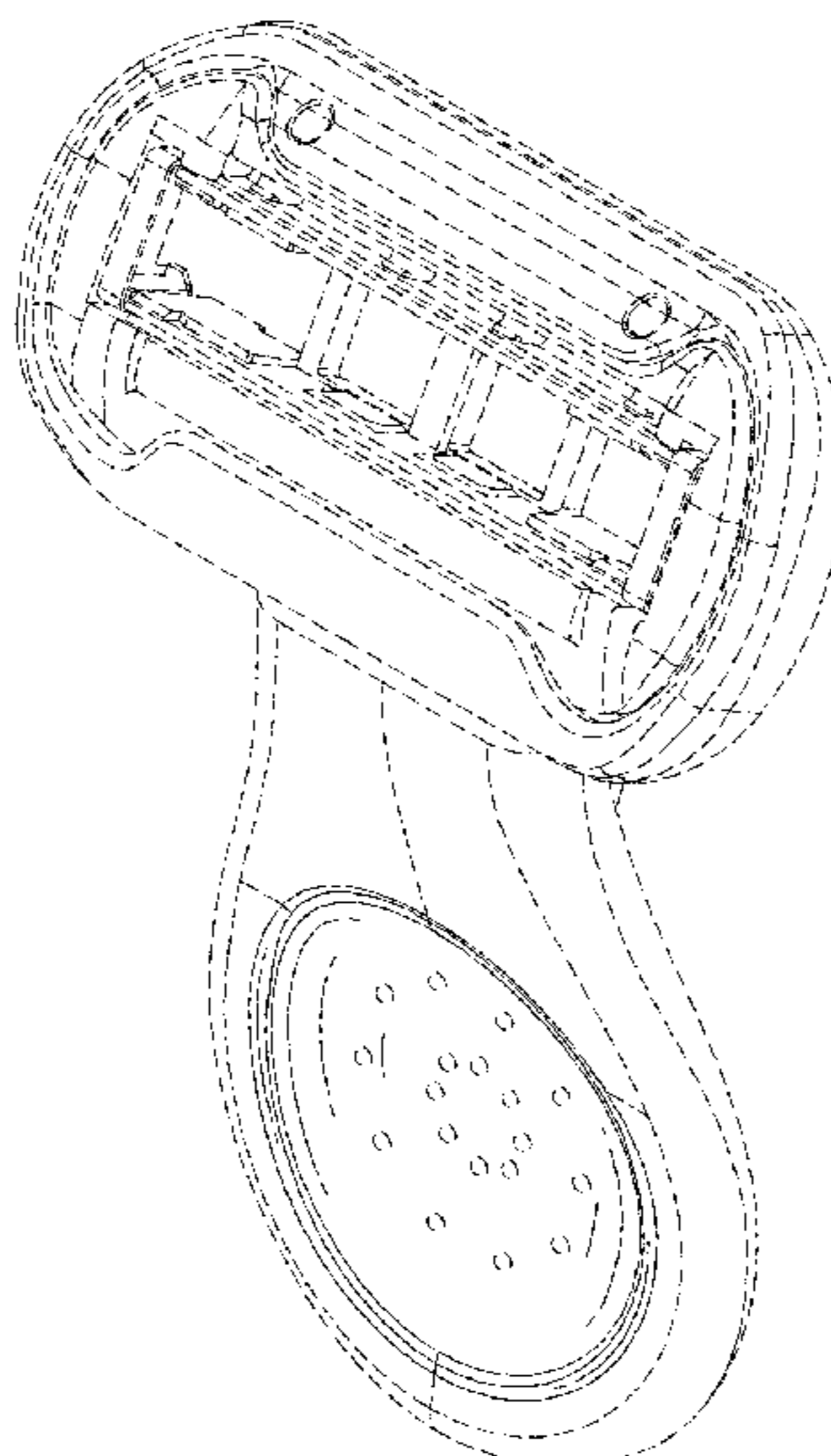
(57) **CLAIM**

The ornamental design for a razor handle, as shown and described.

DESCRIPTION

FIG. 1 is a perspective view of a razor handle showing my new design;
FIG. 2 is another perspective view thereof;
FIG. 3 is a bottom view thereof;
FIG. 4 is a top view thereof;
FIG. 5 is a left view thereof;
FIG. 6 is a right view thereof;
FIG. 7 is a front view thereof; and,
FIG. 8 is a rear view thereof.
The broken line razor cartridge illustrates the environment. The remaining broken lines illustrate portions of the razor handle. None of the broken lines forms part of the claimed design.

1 Claim, 3 Drawing Sheets



(56)

References Cited

U.S. PATENT DOCUMENTS

D363,142 S	10/1995	Shurtleff	D635,301 S *	3/2011	Cormier	D28/46
D364,707 S	11/1995	Shurtleff	7,975,389 B2	7/2011	Bozikis et al.	
5,497,551 A	3/1996	Apprille, Jr.	D644,789 S	9/2011	Lukan et al.	
D378,623 S	3/1997	Wonderley	D710,542 S *	8/2014	Eagleton	D28/48
D381,768 S	7/1997	Shurtleff	D747,550 S *	1/2016	Eagleton	D28/48
5,692,529 A	12/1997	Fekete	2002/0083600 A1 *	7/2002	Donovan	B26B 21/14 30/526
D389,966 S	1/1998	Melodia et al.	2003/0033717 A1 *	2/2003	Cecil	B26B 21/527 30/50
5,799,511 A	9/1998	Benderly	2011/0016734 A1 *	1/2011	Kludjian	B26B 21/22 30/526
6,018,877 A *	2/2000	Greene	2011/0088268 A1	4/2011	Marut	
				9/2011	Rehbein et al.	
				2/2012	Bridges	
6,112,421 A	9/2000	Greene	2012/0042478 A1	2/2012	Bridges	
6,370,783 B1	4/2002	Bozikis et al.	2013/0061481 A1 *	3/2013	Cooney	B26B 21/521 30/526
6,817,468 B2	11/2004	Horesh				
6,823,594 B2 *	11/2004	Kludjian	2014/0230258 A1 *	8/2014	Eagleton	B26B 21/522 30/527
D612,102 S *	3/2010	Kling				
7,874,076 B2	1/2011	Gratsias et al.				

* cited by examiner

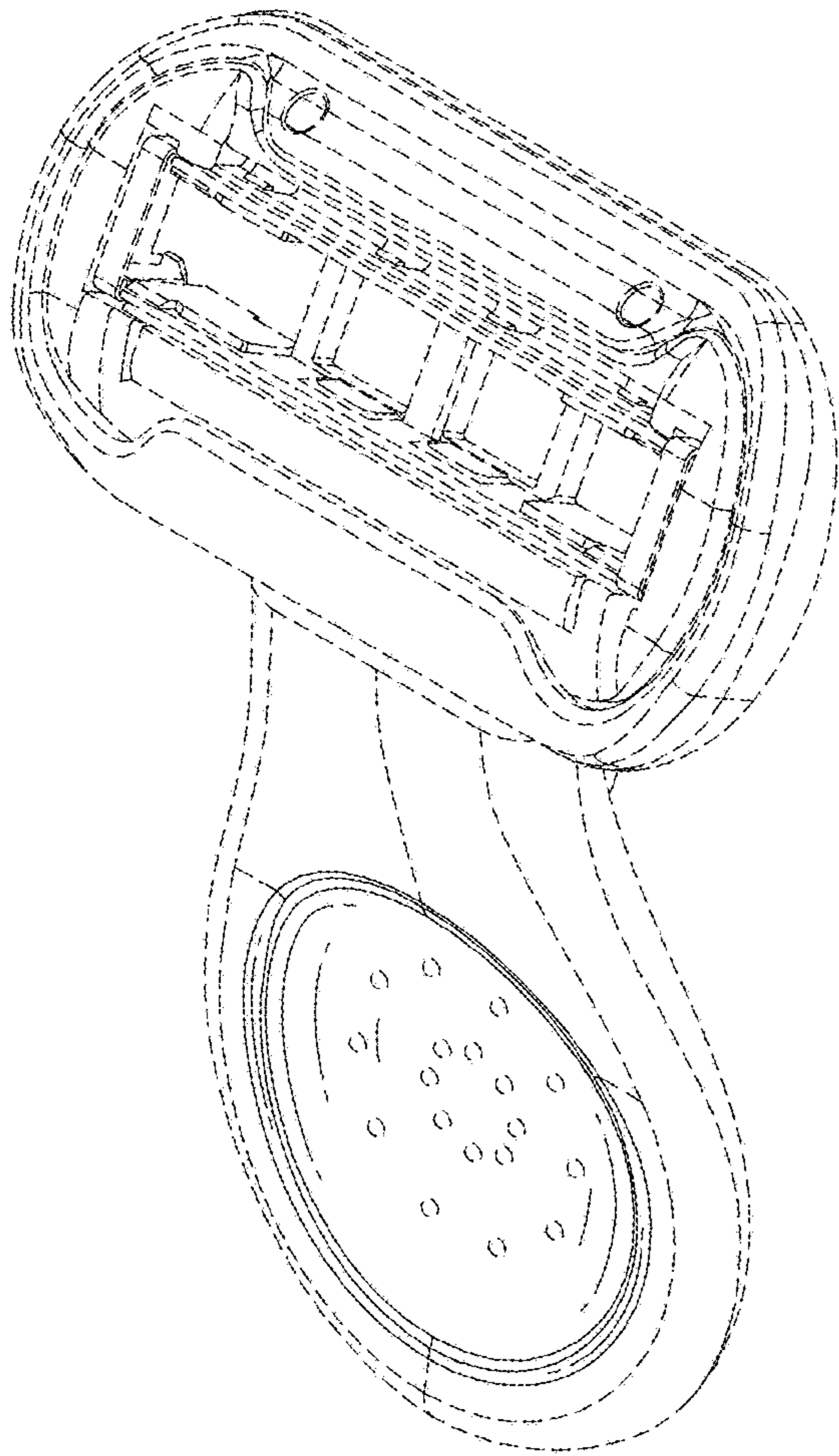


FIG. 1

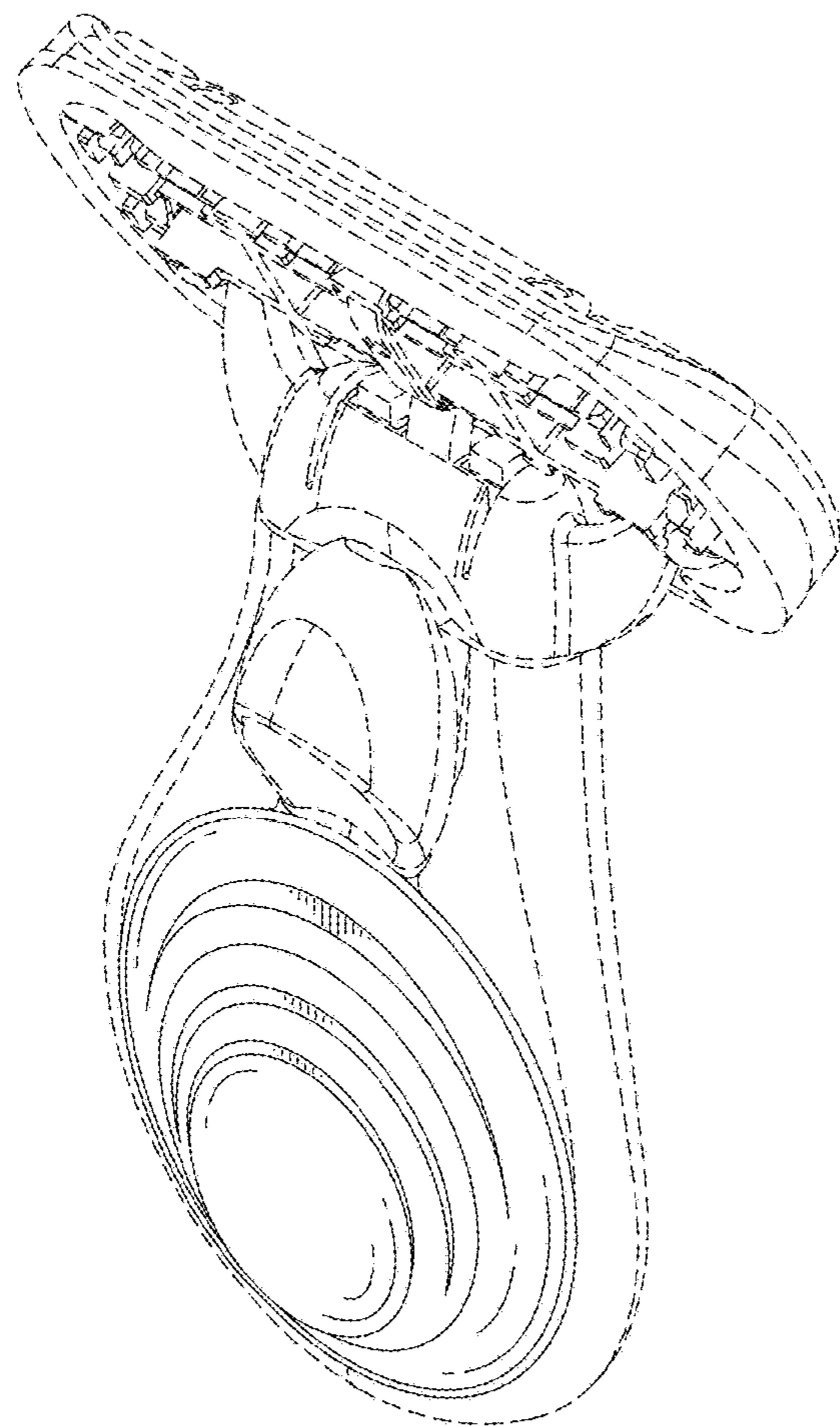


FIG. 2

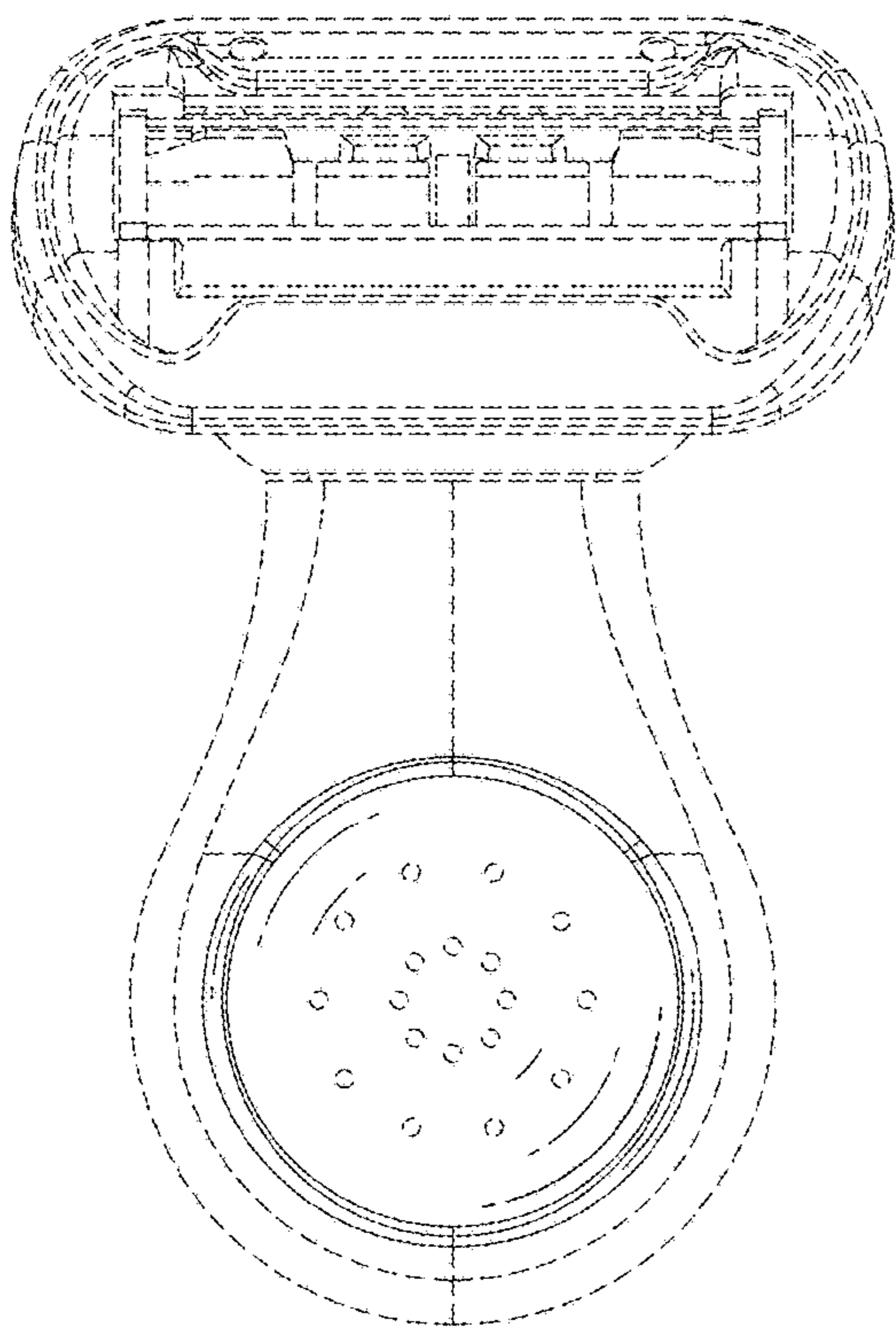


FIG. 3

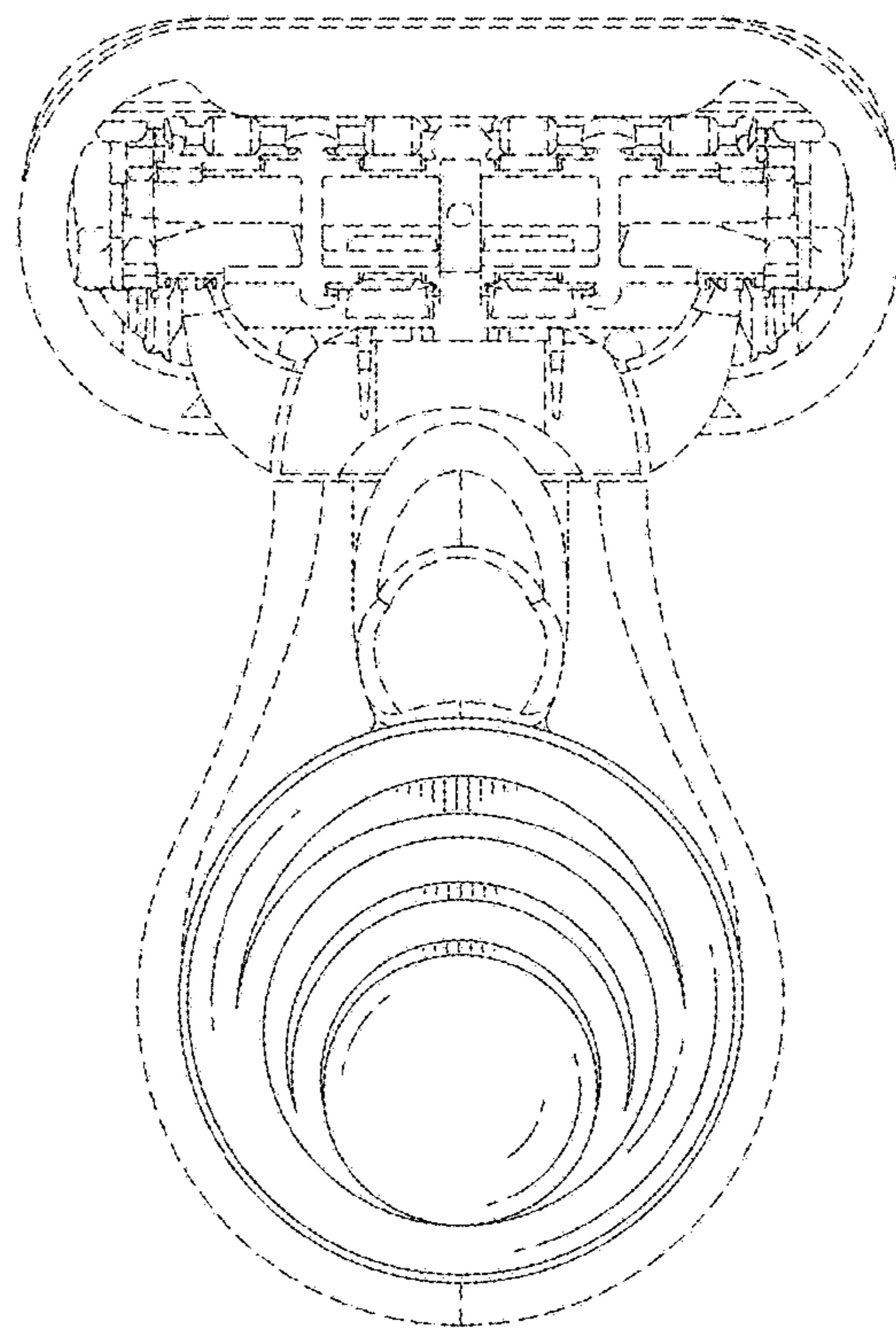


FIG. 4

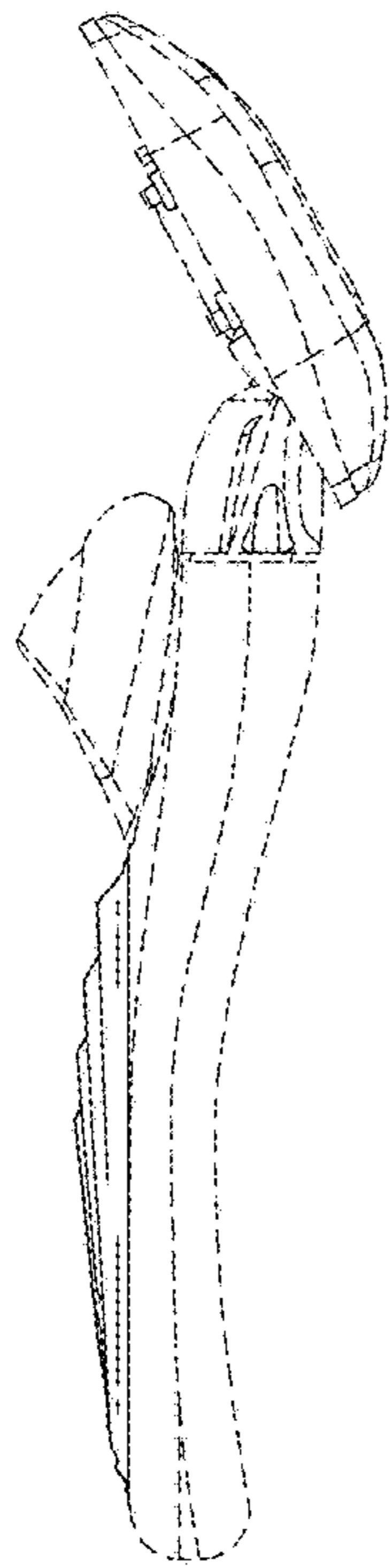


FIG. 5



FIG. 6

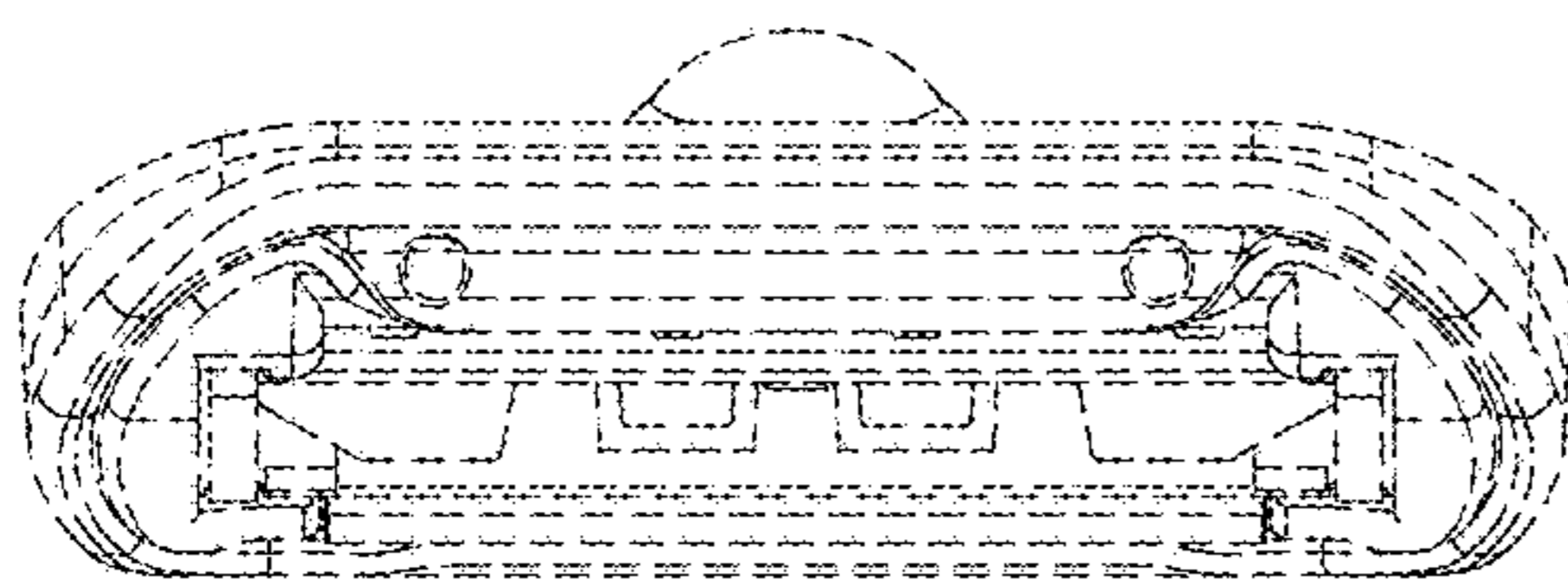


FIG. 7

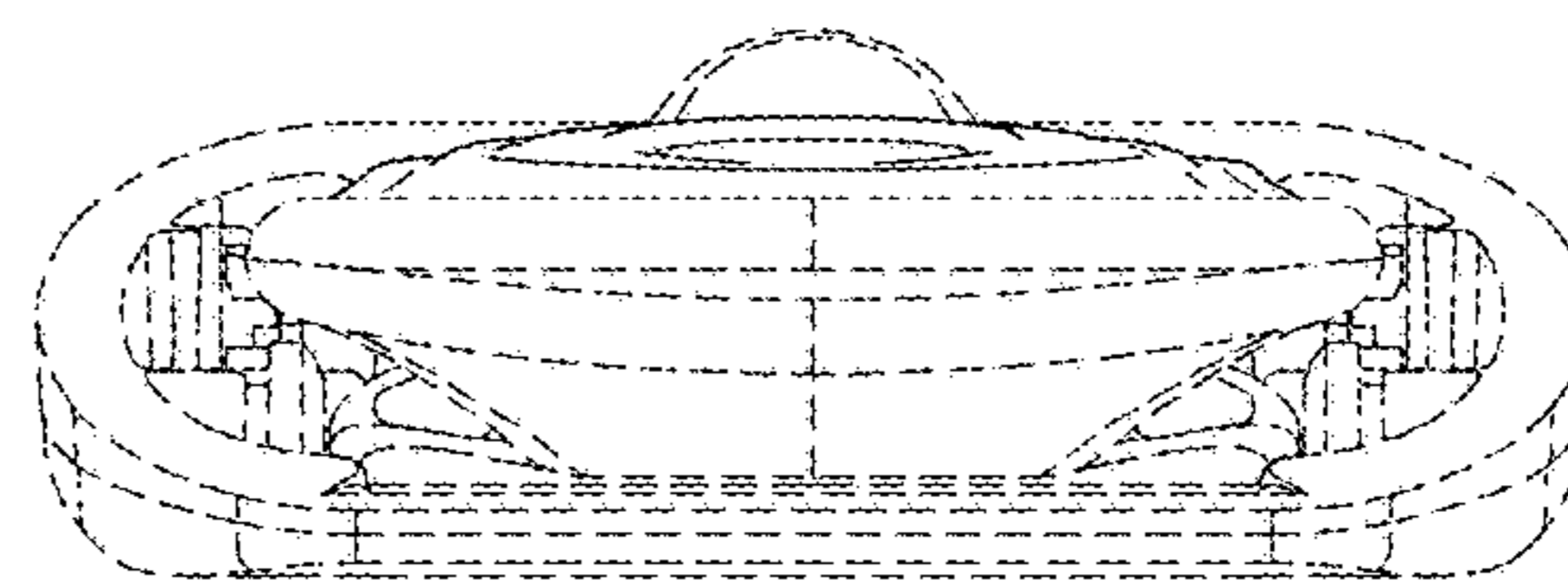


FIG. 8