



US00D791408S

(12) **United States Design Patent**
Brady et al.

(10) **Patent No.:** **US D791,408 S**
(45) **Date of Patent:** **** Jul. 4, 2017**

(54) **HAIR IRON**

(71) Applicant: **Jemella Group Limited**, Leeds (GB)

(72) Inventors: **Dan Brady**, Berkshire (GB); **Stephen Anthony Sayers**, Buckinghamshire (GB); **Marcus Atkin**, Leicestershire (GB)

(73) Assignee: **JEMELLA GROUP LIMITED**, Leeds (GB)

(**) Term: **15 Years**

(21) Appl. No.: **29/567,371**

(22) Filed: **Jun. 8, 2016**

Related U.S. Application Data

(63) Continuation of application No. 29/529,164, filed on Jun. 4, 2015.

(30) **Foreign Application Priority Data**

May 22, 2015 (EM) 002706010-0003
May 22, 2015 (EM) 002706010-0004

(51) **LOC (10) Cl.** **28-03**

(52) **U.S. Cl.**
USPC **D28/35**

(58) **Field of Classification Search**
USPC D28/10, 35
CPC ... A45D 1/00–1/28; A45D 2/00–2/002; A45D 2/36–2/367; A45D 4/00–4/18
See application file for complete search history.

(56) **References Cited**

U.S. PATENT DOCUMENTS

D570,542 S * 6/2008 Leung D28/35
D747,038 S * 1/2016 Speh D28/35
2014/0166038 A1 * 6/2014 Leung A45D 1/04
132/221
2015/0047667 A1 * 2/2015 Mandica A45D 1/04
132/211

(Continued)

Primary Examiner — Jennifer Rivard

(74) *Attorney, Agent, or Firm* — Stephen J. Weyer, Esq.; Stites & Harbison, PLLC.

(57) **CLAIM**

The ornamental design for a hair iron, as shown and described.

DESCRIPTION

FIG. 1 is a perspective view taken from the top, front, and left side of the hair iron of the present invention, shown in its closed configuration.

FIG. 2 is a perspective view of the hair iron of FIG. 1, taken from the top, front, and left side, shown in its opened configuration in accordance with the present invention.

FIG. 3 is a left side elevational view of the hair iron of FIG. 1, shown in its closed configuration.

FIG. 4 is a left side elevation view of the hair iron of FIG. 3, shown in its opened configuration.

FIG. 5 is a right side elevation view of the hair iron of FIG. 1, shown in its closed configuration.

FIG. 6 is a bottom plan view of the hair iron of FIG. 1, shown in its closed configuration.

FIG. 7 is a top plan view of the hair iron of FIG. 1, shown in its closed configuration.

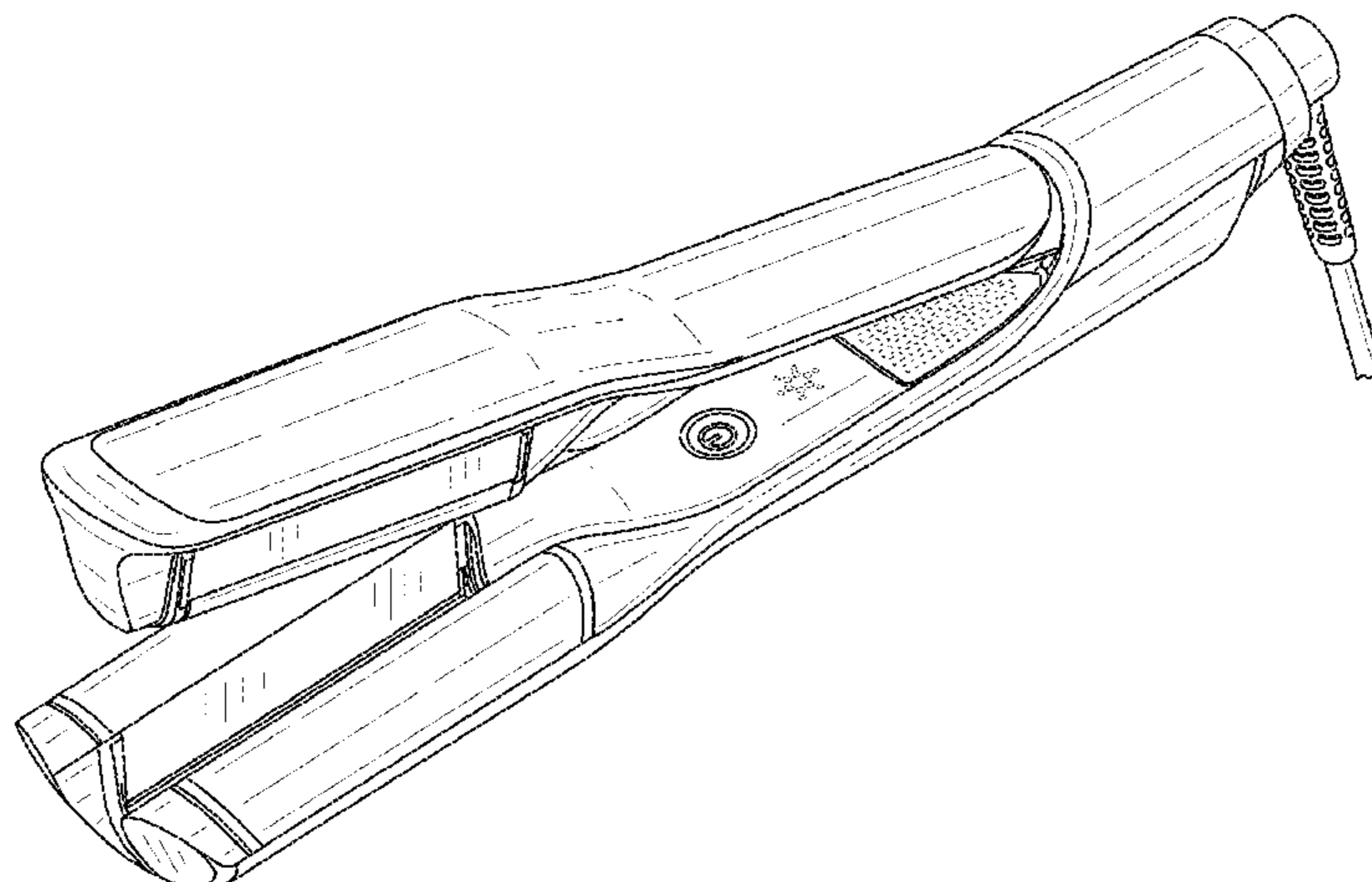
FIG. 8 is an enlarged front elevation view of the hair iron of FIG. 1, shown in its closed configuration.

FIG. 9 is an enlarged rear elevation view of the hair iron of FIG. 1, shown in its closed configuration.

FIG. 10 is a perspective view taken from the top, rear, and left side of the hair iron of FIG. 1, shown in its closed configuration; and,

FIG. 11 is a perspective view taken from the top, rear, and left side of the hair iron of FIG. 10, shown in its opened configuration.

1 Claim, 11 Drawing Sheets



(56)

References Cited

U.S. PATENT DOCUMENTS

2015/0122284	A1 *	5/2015	Smith	A45D 1/14 132/211
2015/0150350	A1 *	6/2015	Kock	A45D 1/06 132/224

* cited by examiner

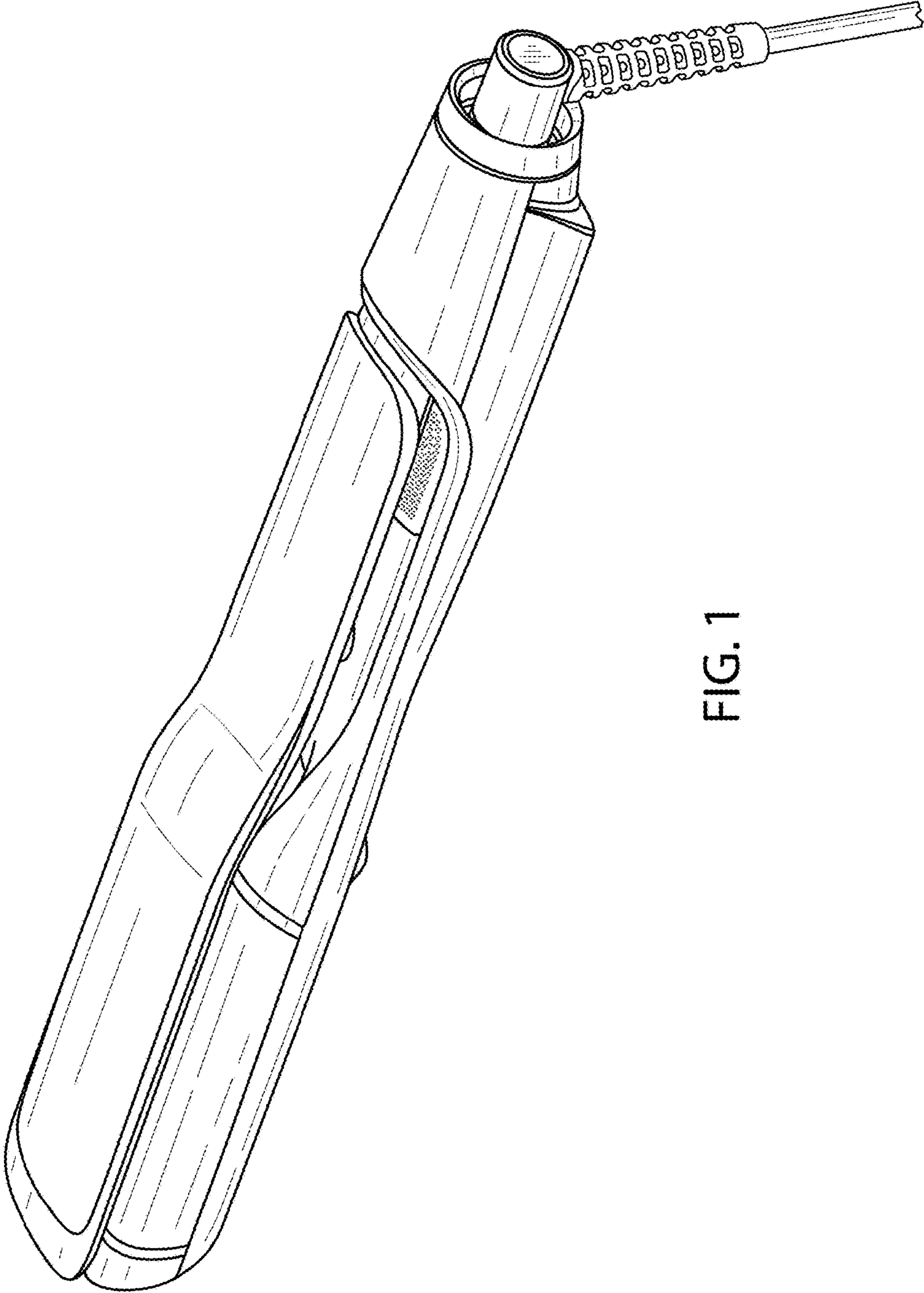


FIG. 1

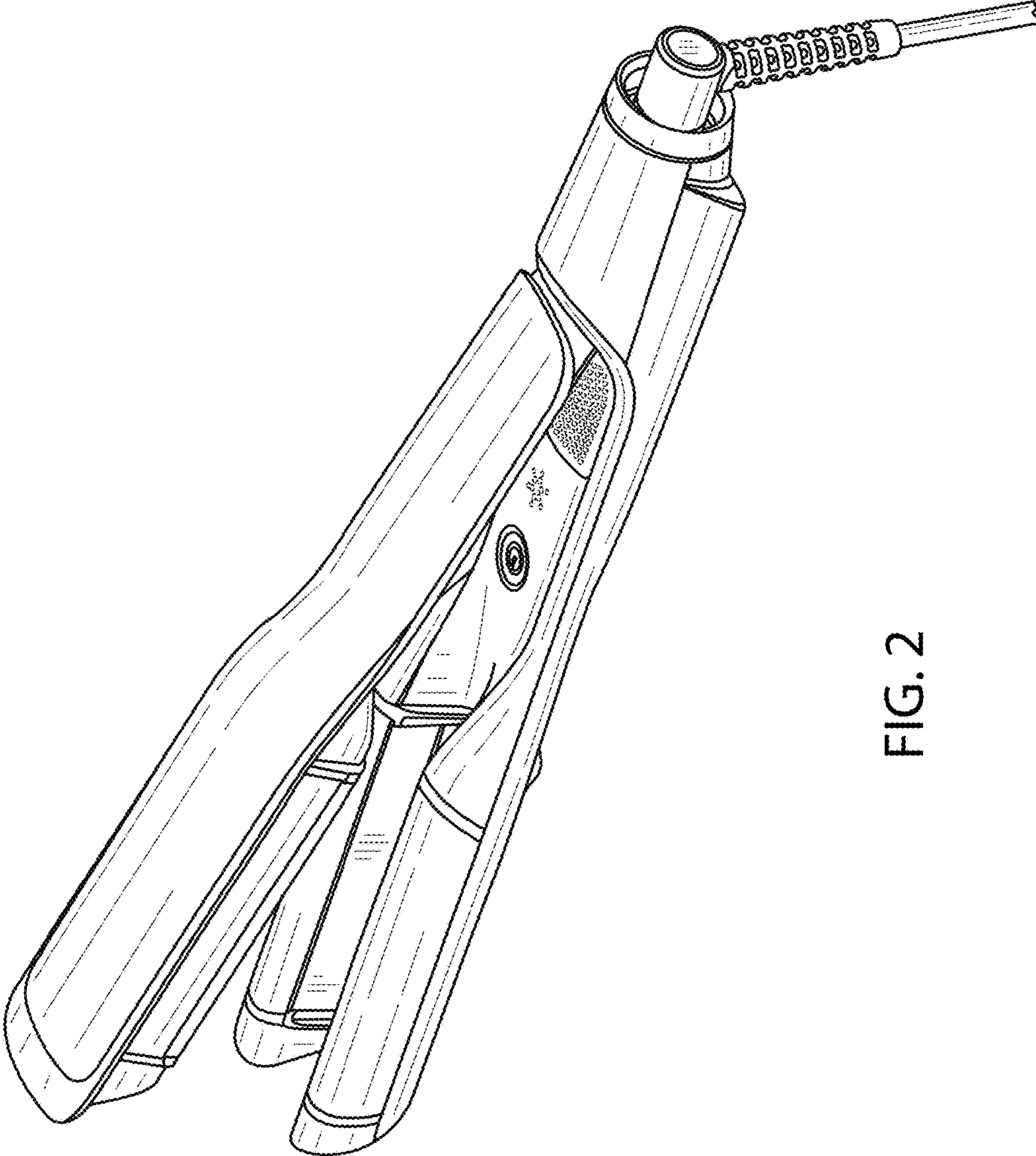


FIG. 2

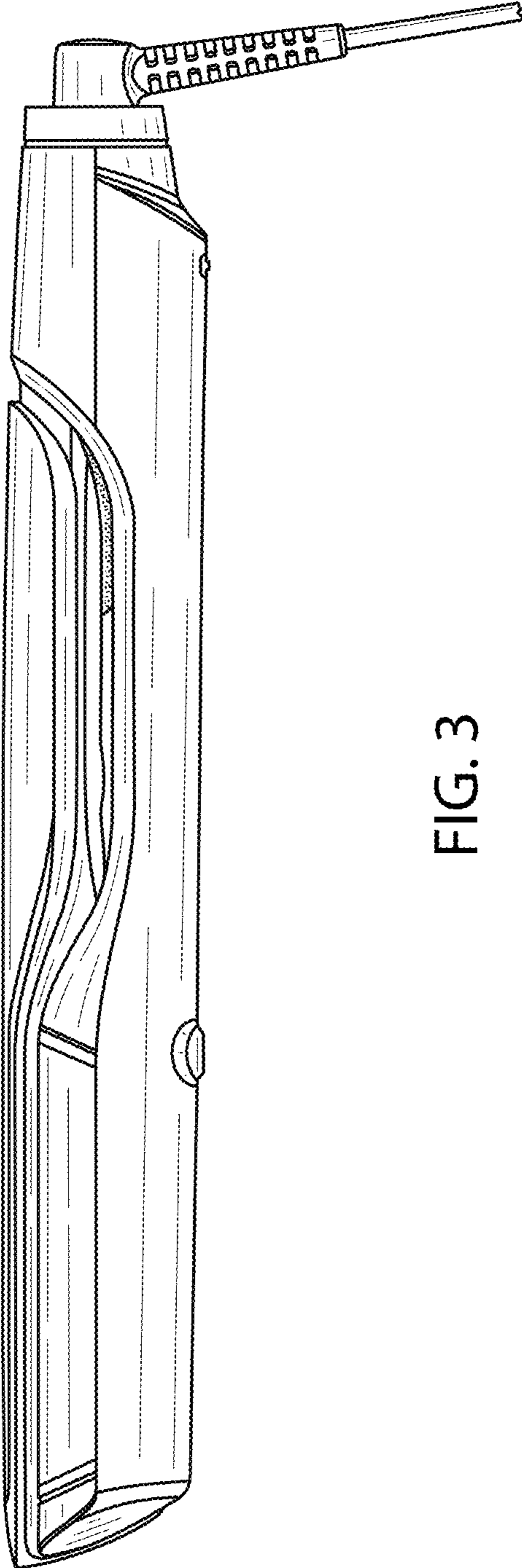


FIG. 3

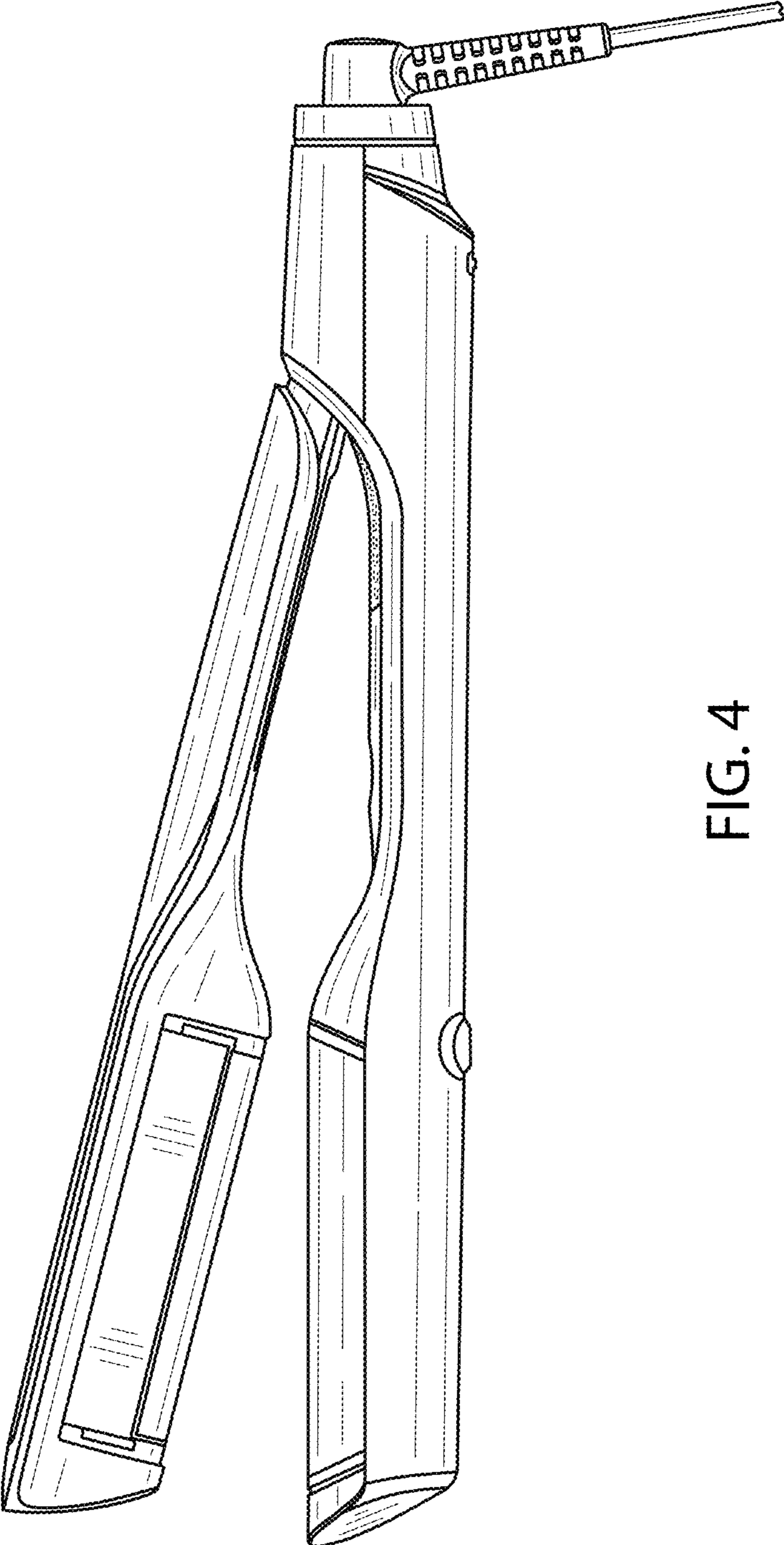


FIG. 4



FIG. 5

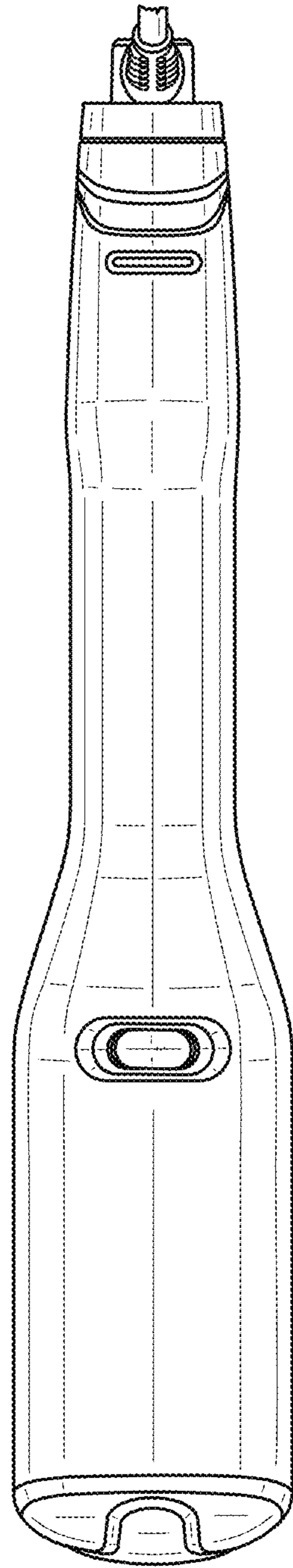


FIG. 6

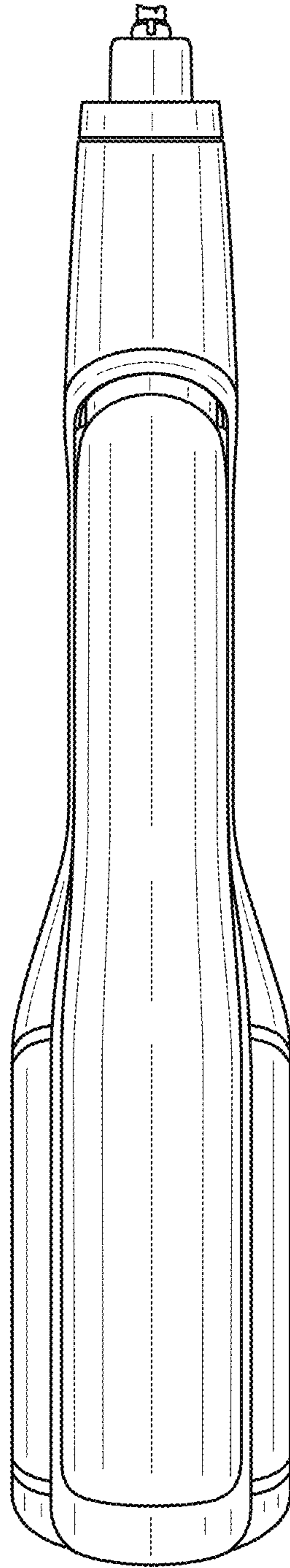


FIG. 7

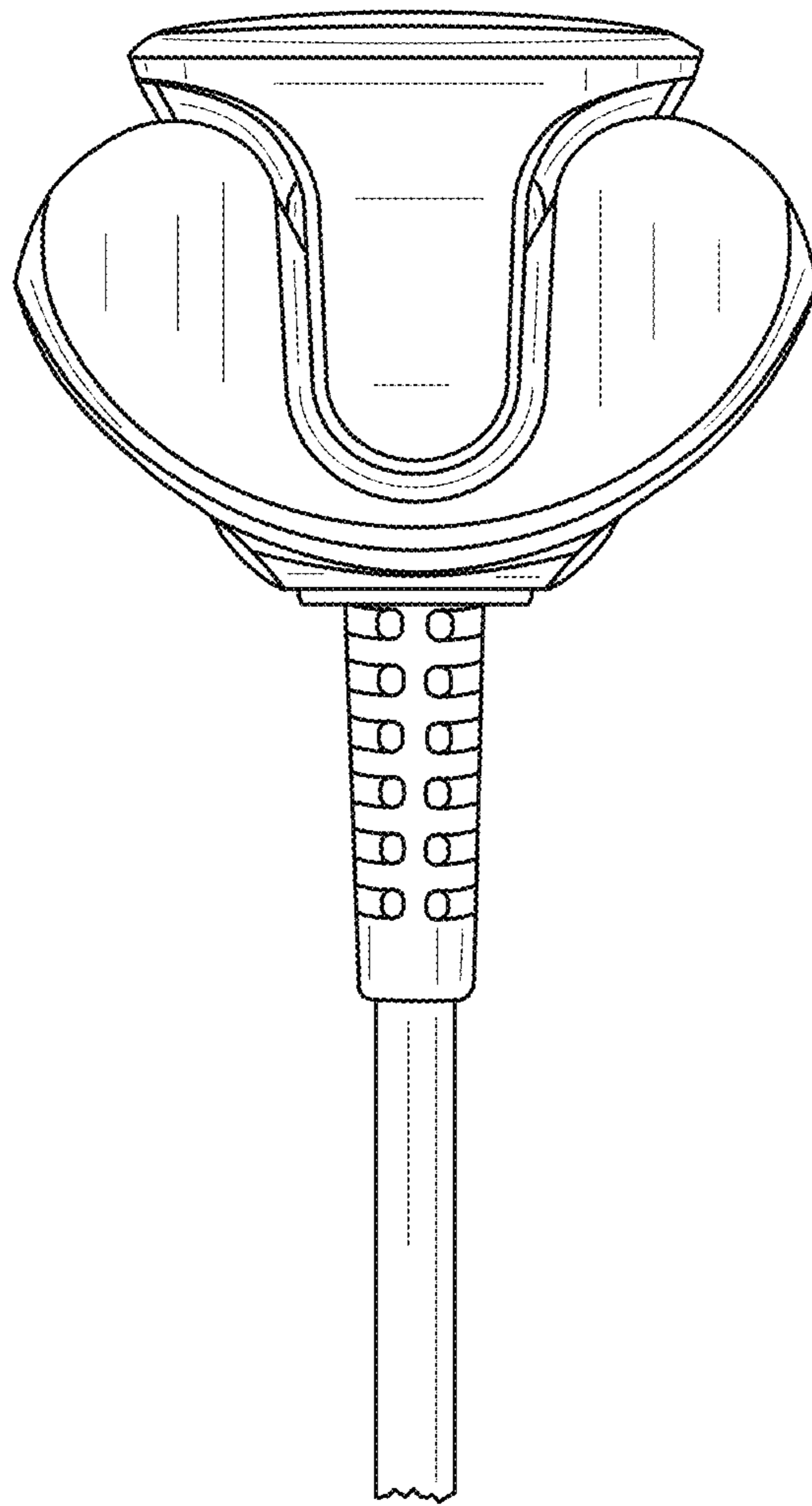


FIG. 8

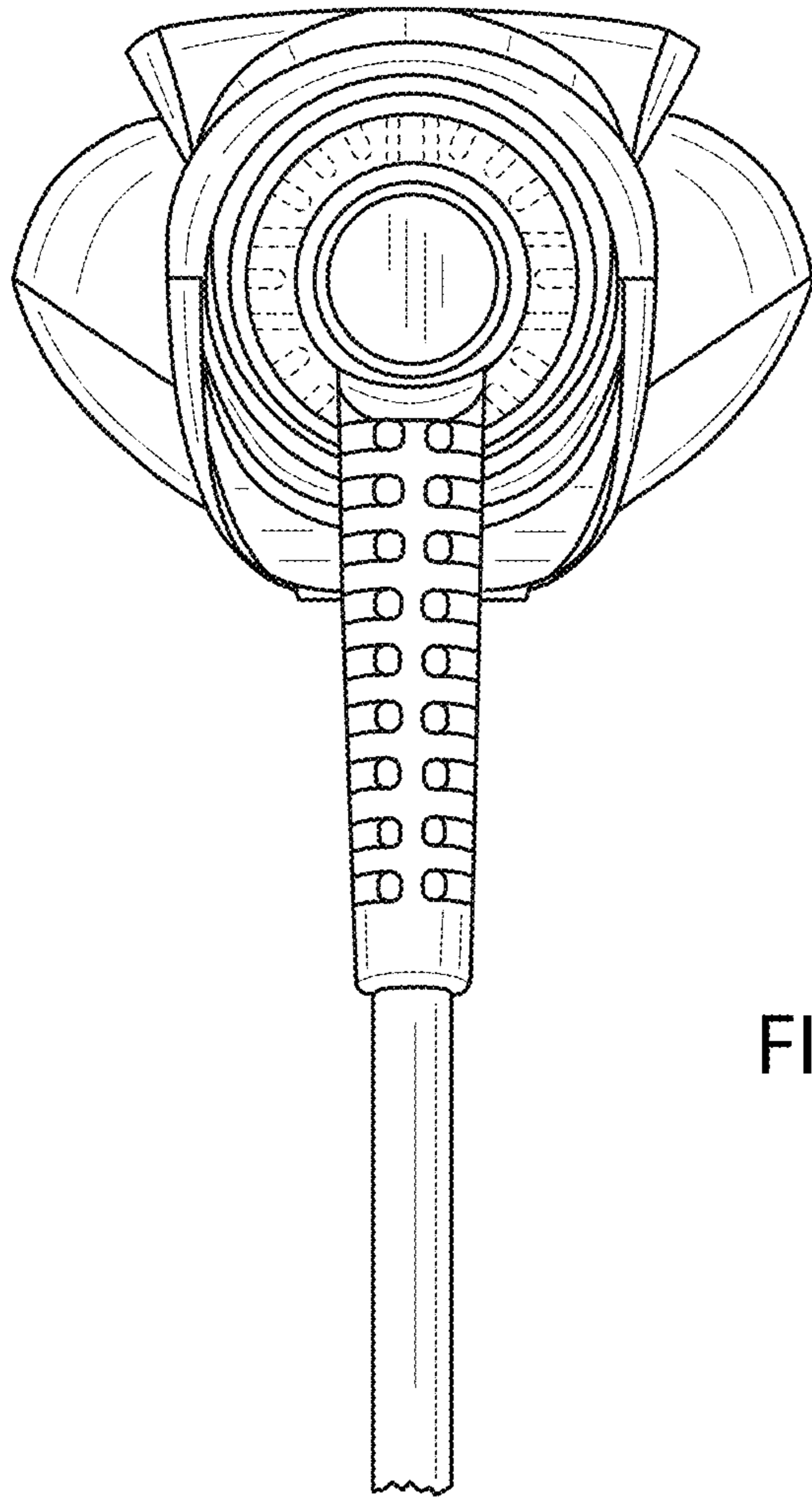


FIG. 9

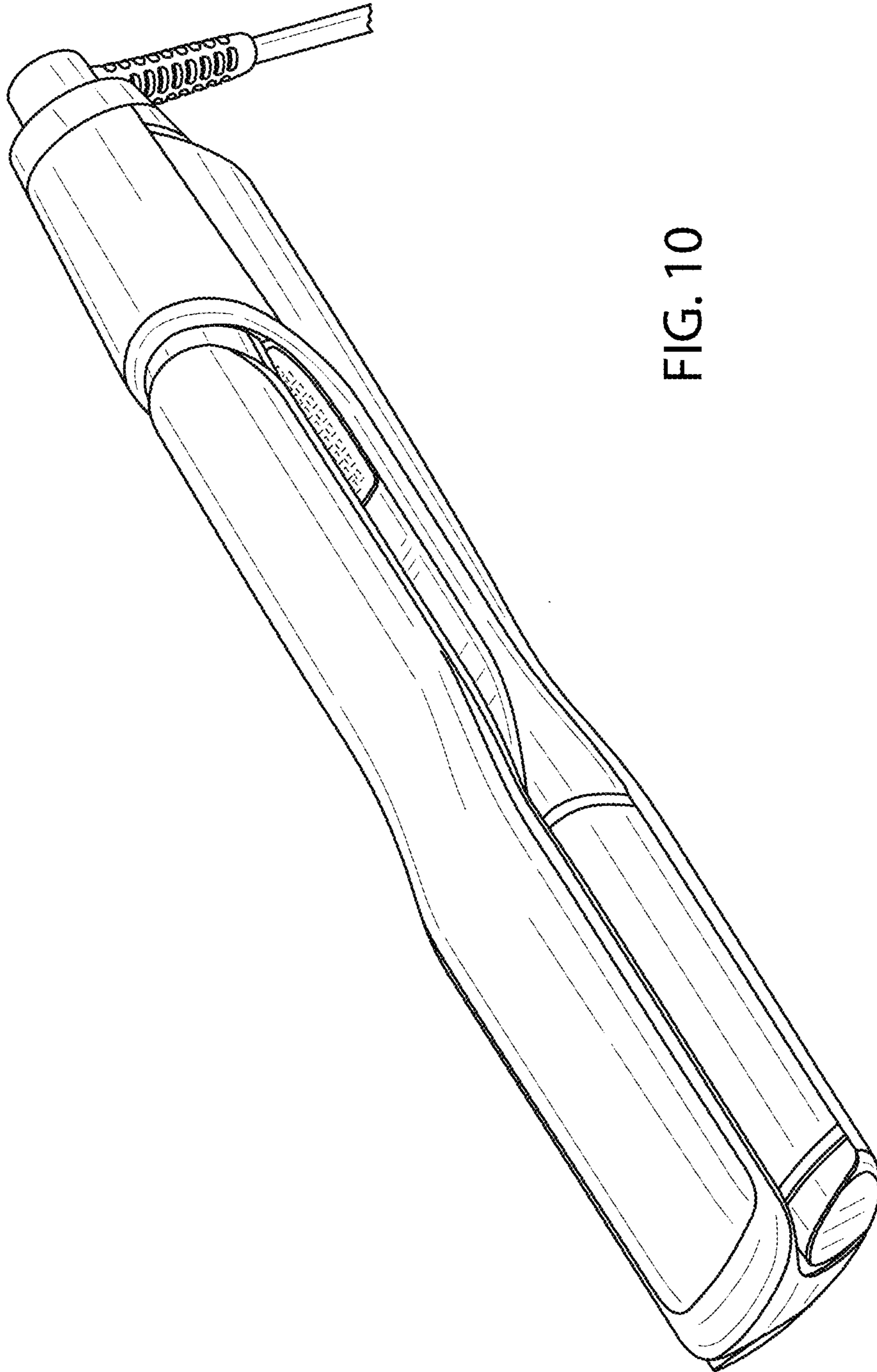


FIG. 10

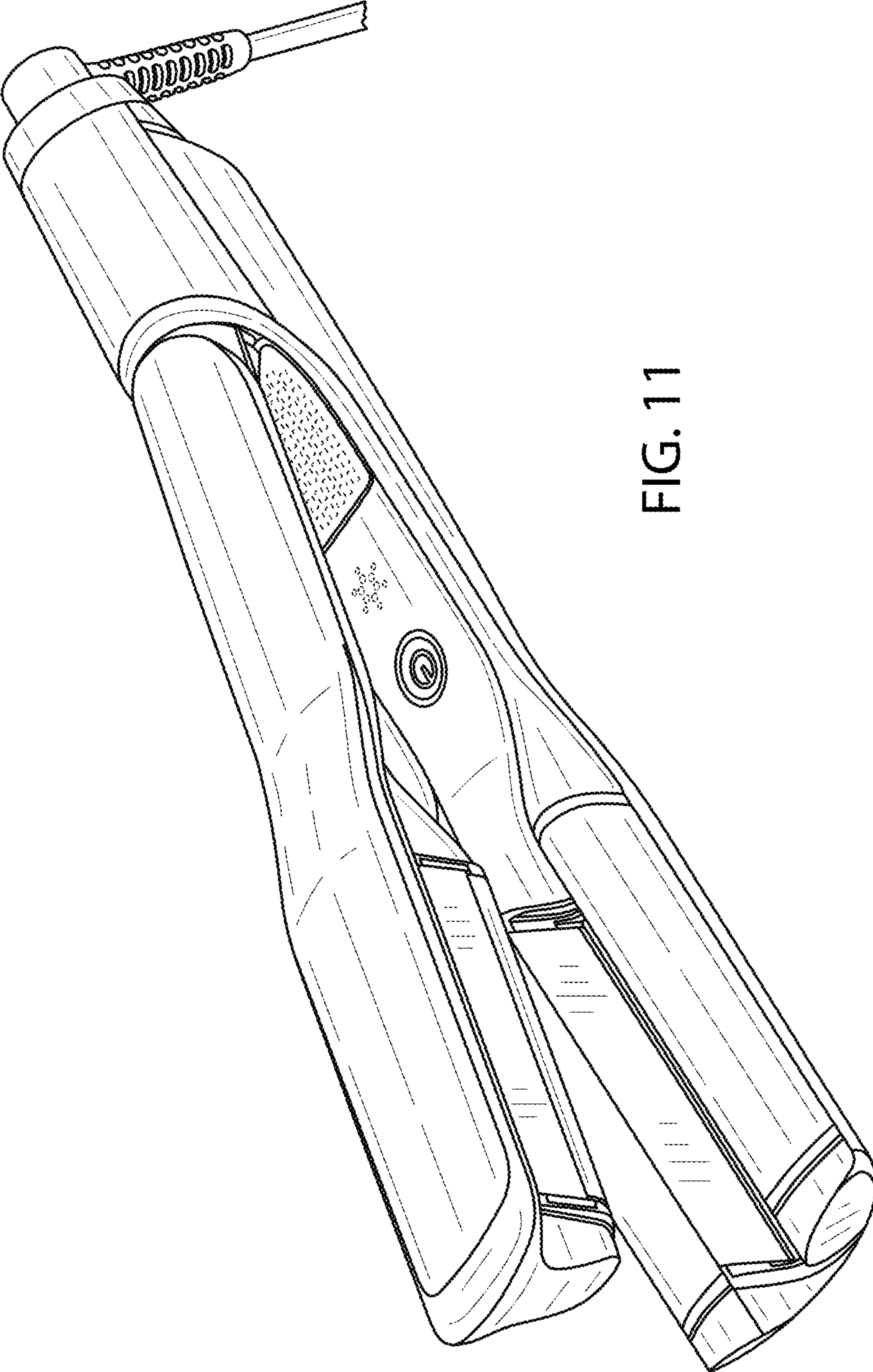


FIG. 11