



US00D791407S

(12) **United States Design Patent** (10) **Patent No.:** **US D791,407 S**
Smith et al. (45) **Date of Patent:** **** Jul. 4, 2017**

(54) **HAIR APPLIANCE**

(71) Applicant: **Dyson Technology Limited**, Wiltshire (GB)

(72) Inventors: **Stephen Farrar Smith**, Bristol (GB); **Philip Jonathan Stephens**, Derby (GB); **Andrea Ee-Va Lim**, Bristol (GB); **Christopher William Hedges**, Guildford (GB); **Thomas James Kerr**, West Sussex (GB)

(73) Assignee: **Dyson Technology Limited**, Malmesbury, Wiltshire (GB)

(**) Term: **15 Years**

(21) Appl. No.: **29/532,991**

(22) Filed: **Jul. 13, 2015**

(30) **Foreign Application Priority Data**

Jan. 12, 2015 (EM) 001428072-0001

(51) **LOC (10) Cl.** **28-03**

(52) **U.S. Cl.**
USPC **D28/13**

(58) **Field of Classification Search**
USPC D28/12-19; D8/29.1; D32/17-18,
D32/31-34; D23/223, 360, 356, 358;
D26/37
CPC A45D 20/12; A45D 20/00
See application file for complete search history.

(56) **References Cited**

U.S. PATENT DOCUMENTS

538,826 A * 5/1895 Foglesong A61H 33/12
34/101
D201,908 S * 8/1965 Meyer D16/135
D248,048 S * 5/1978 Cousins D28/13
D257,492 S * 11/1980 Cousins D28/13
D262,062 S * 11/1981 Nagelkerke D28/13

4,350,872 A 9/1982 Meywald et al.
4,596,921 A 6/1986 Hersh et al.
D290,174 S * 6/1987 Tsuji D28/13
4,767,914 A 8/1988 Glucksman
(Continued)

FOREIGN PATENT DOCUMENTS

CH 588 835 6/1977
CN 200973446 11/2007
(Continued)

OTHER PUBLICATIONS

Dyson's Supersonic hairdryer promises your most deluxe blow-dry ever—for a price, posted date Apr. 26, 2016, cnet.com, © 2016 Elite Hotel Supplier, site visited Aug. 12, 2016, Available from Internet, <<http://www.cnet.com/products/dyson-supersonic/>>.*

(Continued)

Primary Examiner — Cathron Brooks
Assistant Examiner — Sharon S Oum
(74) *Attorney, Agent, or Firm* — Morrison & Foerster LLP

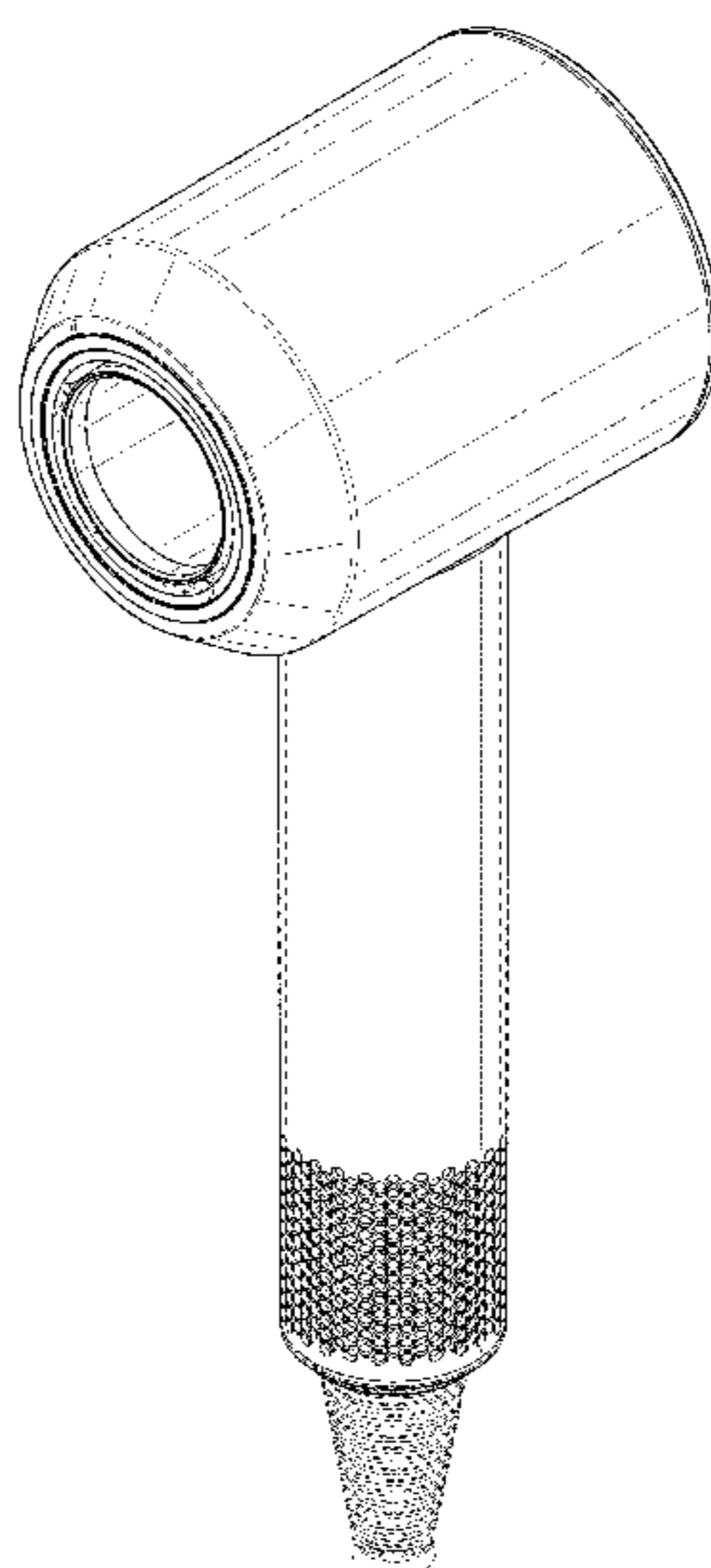
(57) **CLAIM**

We claim the ornamental design for a hair appliance, as shown and described.

DESCRIPTION

FIG. 1 is a front perspective view of a hair appliance showing our new design;
FIG. 2 is a rear perspective view thereof;
FIG. 3 is a front view thereof;
FIG. 4 is a rear view thereof;
FIG. 5 is a side view thereof;
FIG. 6 is a top view thereof; and,
FIG. 7 is a bottom view thereof.
The broken lines shown in the drawings illustrate portions of a hair appliance that form no part of the claimed design.

1 Claim, 7 Drawing Sheets



(56)

References Cited

U.S. PATENT DOCUMENTS

5,133,043 A 7/1992 Baugh
D341,452 S * 11/1993 Songer 15/394
D350,413 S 9/1994 Feil
D352,365 S * 11/1994 Hansen D28/13
5,378,882 A 1/1995 Gong et al.
5,546,674 A 8/1996 Lange et al.
5,572,800 A 11/1996 West
5,598,640 A 2/1997 Schepisi
5,681,630 A 10/1997 Smick et al.
D386,815 S * 11/1997 Muller D28/13
5,875,562 A 3/1999 Fogarty
D422,114 S * 3/2000 Gudfin D28/13
6,203,349 B1 3/2001 Nakazawa
D453,813 S * 2/2002 Gottwald D23/223
6,751,886 B2 * 6/2004 Chang A45D 20/50
34/96
6,889,445 B1 5/2005 Varona et al.
D550,813 S 9/2007 Lammel et al.
D555,765 S * 11/2007 Bosio D23/223
D572,097 S * 7/2008 Yung-Kuan D28/13
D619,210 S * 7/2010 Jian D23/223
D646,354 S 10/2011 Gessi
D653,393 S * 1/2012 Oh D28/13
8,132,571 B1 3/2012 Jackson
D696,386 S 12/2013 Schoenherr et al.
D702,322 S 4/2014 Sieger
D715,996 S * 10/2014 Dyson D28/13
D716,492 S * 10/2014 Dyson D28/13
D757,362 S * 5/2016 Dyson D28/13
2004/0163274 A1 8/2004 Andrew et al.
2005/0229422 A1 10/2005 Mattinger et al.
2006/0075654 A1 4/2006 Lin
2007/0294909 A1 12/2007 Abdi et al.
2010/0064542 A1 3/2010 Mulvaney et al.
2010/0065545 A1 3/2010 Chung et al.
2011/0079239 A1 4/2011 Hall
2011/0177711 A1 7/2011 Park
2011/0203128 A1 8/2011 Rodrigues
2013/0111777 A1 * 5/2013 Jeong A45D 20/12
34/97
2013/0269200 A1 * 10/2013 Moloney A45D 20/00
34/97
2013/0269201 A1 10/2013 Courtney et al.
2013/0276320 A1 10/2013 Courtney et al.
2013/0276321 A1 10/2013 Courtney et al.
2013/0283630 A1 10/2013 Courtney et al.
2013/0283631 A1 10/2013 Moloney et al.
2014/0007448 A1 1/2014 Courtney et al.
2014/0007449 A1 1/2014 Courtney et al.
2015/0157107 A1 * 6/2015 Gosnay A45D 20/12
34/96
2016/0143409 A1 * 5/2016 Moloney A45D 20/08
34/97
2016/0206077 A1 * 7/2016 Stephens A45D 20/10

FOREIGN PATENT DOCUMENTS

CN 201328477 10/2009
CN 201341553 11/2009
CN 101292806 10/2010
CN 201774080 3/2011
CN 201948229 8/2011
CN 202146022 2/2012
CN 202536440 11/2012
CN 202774786 3/2013

DE 26 18 819 11/1977
DE 195 27 111 1/1997
DE 10 2009 049 838 4/2011
EP 0 105 810 4/1984
EP 0 300 281 1/1989
EP 0 306 765 3/1989
EP 0 970 633 1/2000
EP 1 433 401 8/2004
EP 1 616 500 1/2006
EP 2 000 042 12/2008
EP 2 255 692 12/2010
EP 2 392 223 12/2011
EP 2 401 939 1/2012
FR 1387334 12/1964
FR 1408096 6/1965
GB 647291 12/1950
GB 953057 3/1964
GB 1 446 385 8/1976
GB 1 456 000 11/1976
GB 1 489 723 10/1977
GB 1 539 485 1/1979
GB 2 295 056 5/1996
GB 2 316 868 3/1998
GB 2472240 2/2011
GB 2478927 9/2011
GB 2482547 2/2012
GB 2482548 2/2012
GB 2482549 2/2012
GB 2500798 10/2013
GB 2500800 10/2013
GB 2503684 1/2014
GB 2503685 1/2014
GB 2503686 1/2014
JP 1-27506 1/1989
JP 1-29208 1/1989
JP 4-221507 8/1992
JP 5-7507 1/1993
JP 5-130915 5/1993
JP 7-16113 1/1995
JP 2000-201723 7/2000
JP 2001-37530 2/2001
JP 2002-238649 8/2002
JP 2003-153731 5/2003
JP 2004-312 1/2004
JP 2004-113402 4/2004
JP 2004-357763 12/2004
JP 2005-546 1/2005
JP 2006-51181 2/2006
JP 2006-130181 5/2006
JP 2006-181265 7/2006
JP 2007-136121 6/2007
JP 2010-274050 12/2010
JP 2012-45178 3/2012
WO WO-83/02753 8/1983
WO WO-94/23611 10/1994
WO WO-2004/006712 1/2004
WO WO-2005/120283 12/2005
WO WO-2007/043732 4/2007
WO WO-2008/053099 5/2008
WO WO-2012/059700 5/2012
WO WO-2012/069983 5/2012
WO WO-2012/076885 6/2012

OTHER PUBLICATIONS

Reba, I. (1966). "Applications of the Coanda Effect," Scientific American 214:84-92.

* cited by examiner

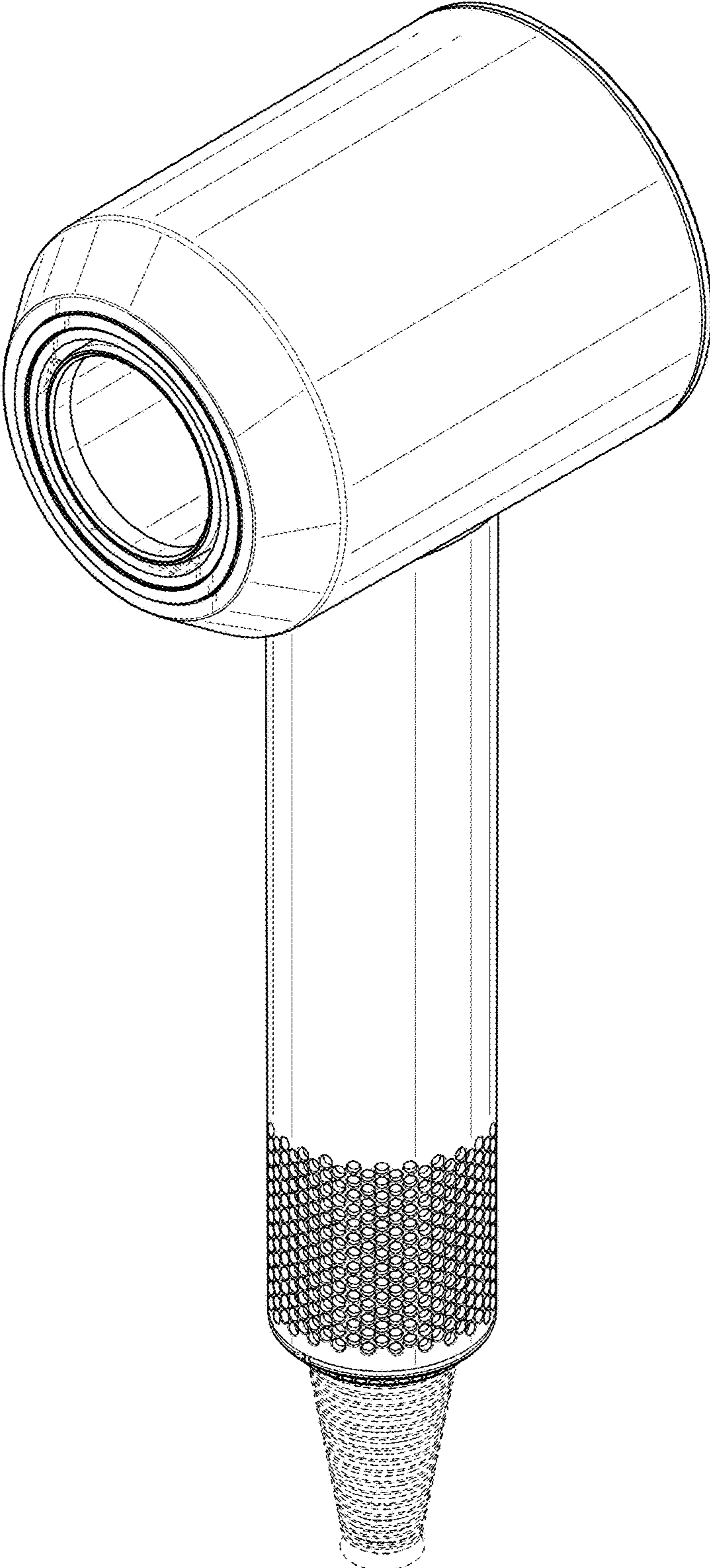


FIG. 1

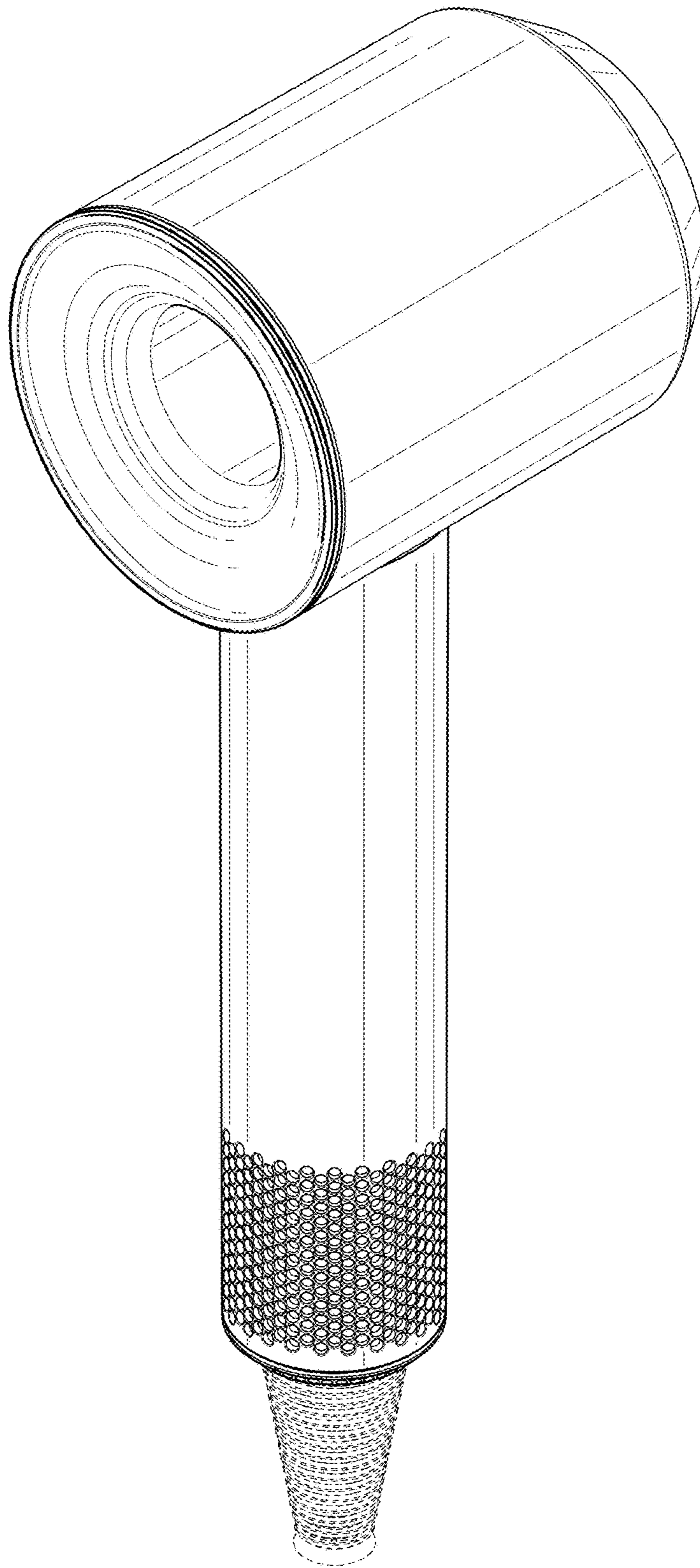


FIG. 2

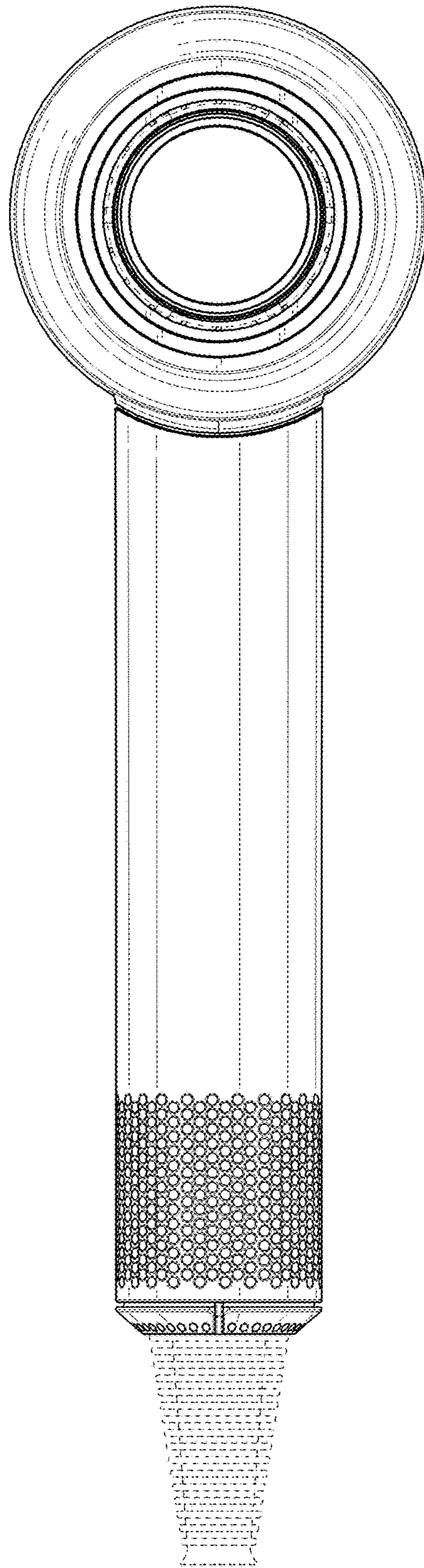


FIG. 3

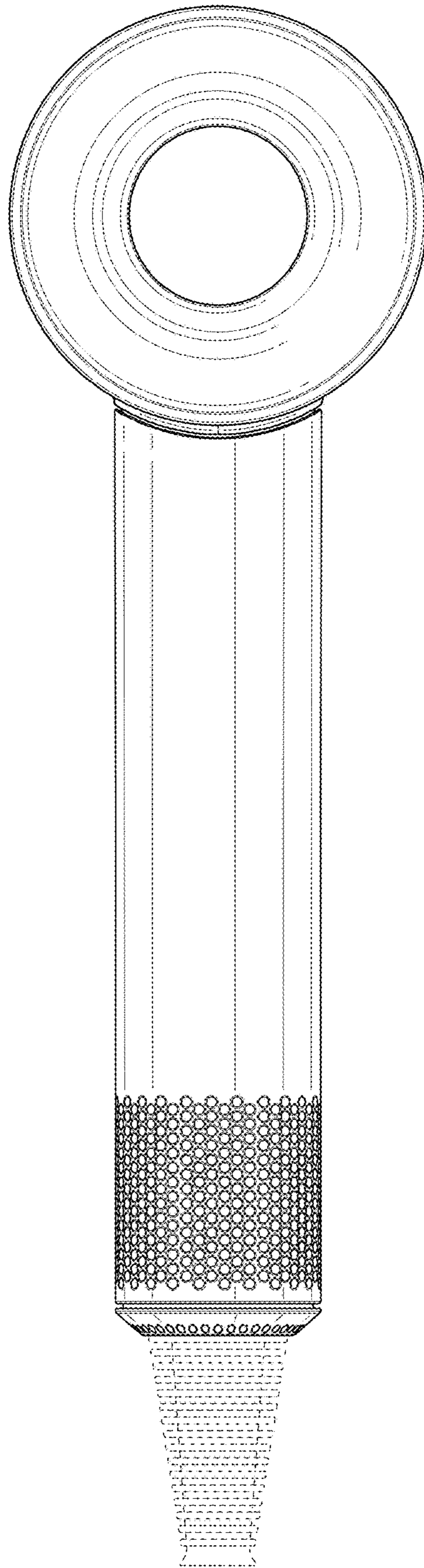


FIG. 4

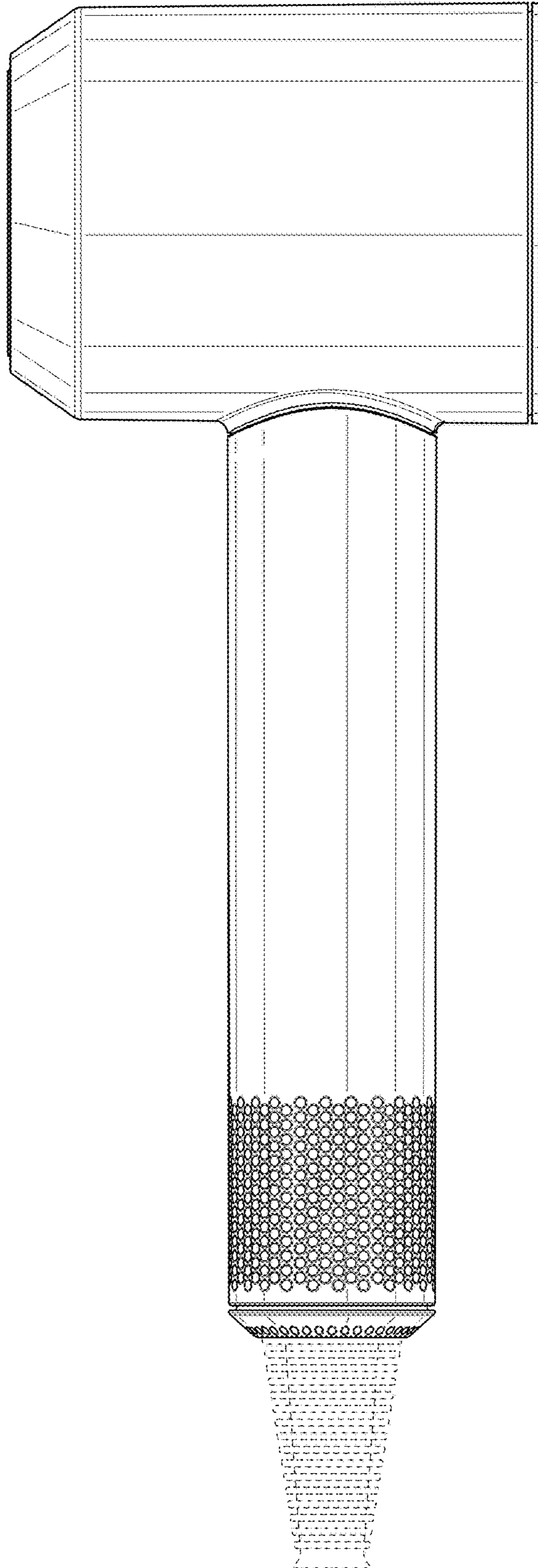


FIG. 5

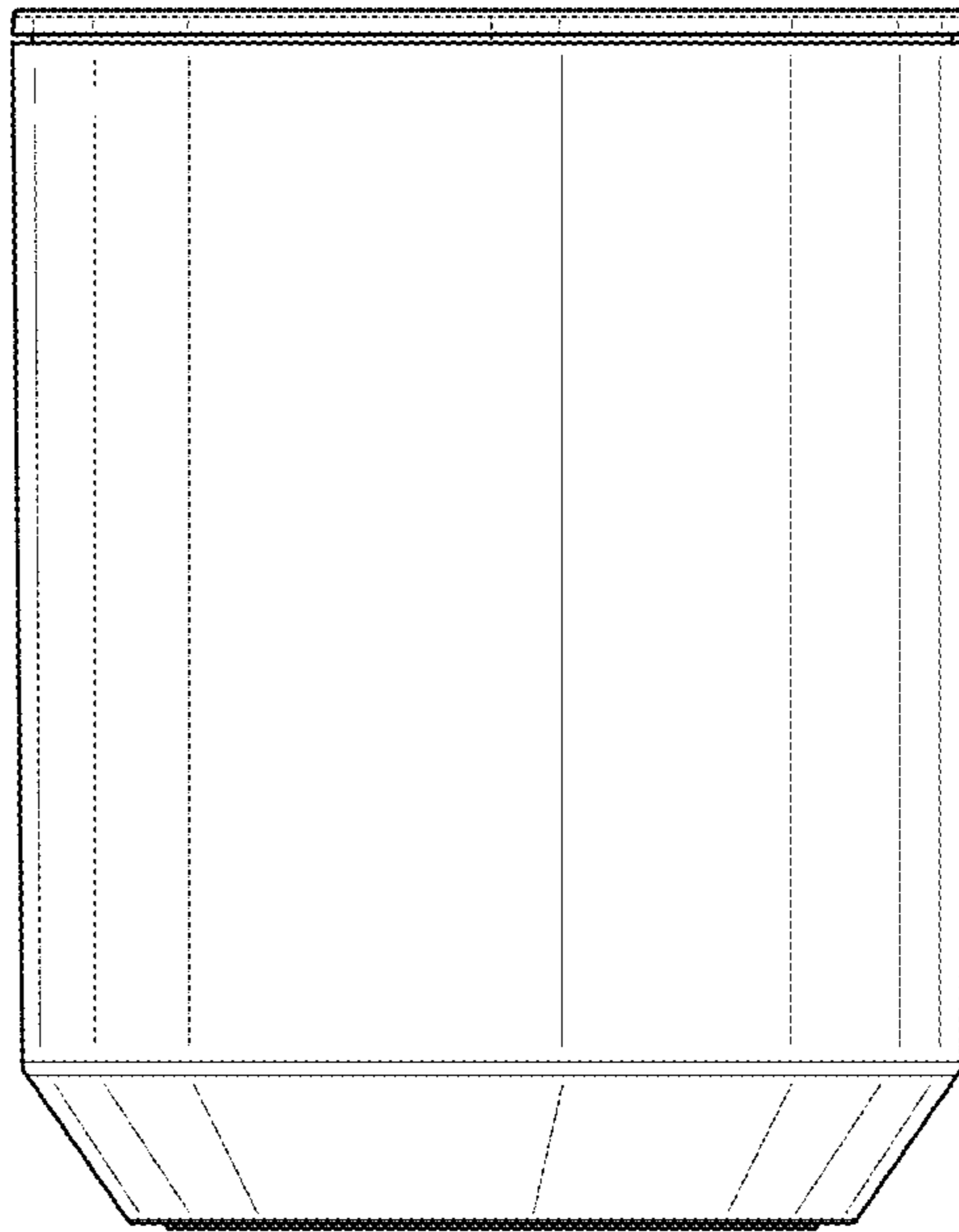


FIG. 6

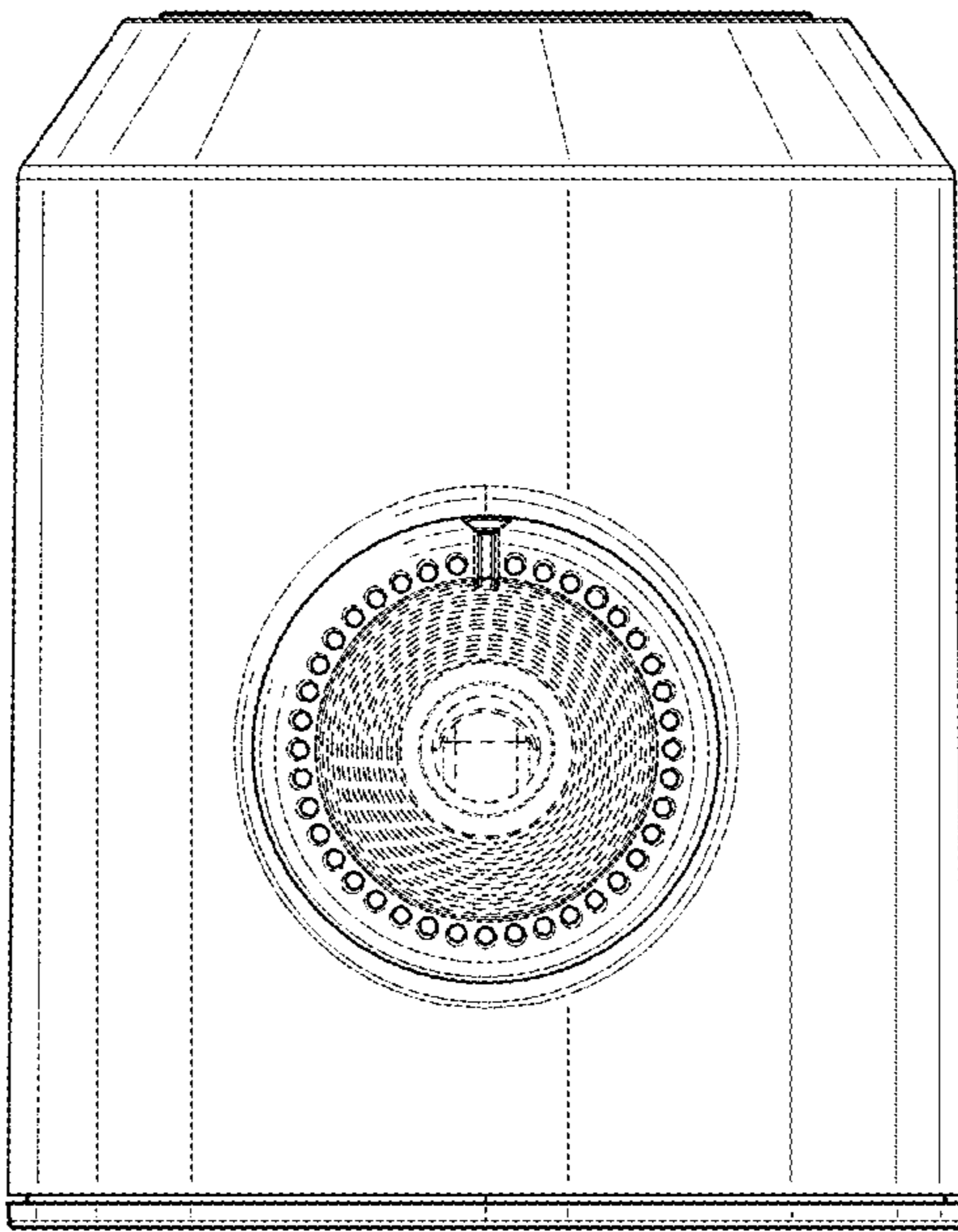


FIG. 7