



US00D791406S

(12) **United States Design Patent** (10) **Patent No.:** **US D791,406 S**
Shteyssel et al. (45) **Date of Patent:** **** Jul. 4, 2017**

(54) **INDUCTIVE HEATING PLATE**
(71) Applicant: **Z Produx, Inc.**, Sherman Oaks, CA (US)
(72) Inventors: **Zena Shteyssel**, Studio City, CA (US); **Danny Lamont Green**, Van Nuys, CA (US)
(**) Term: **15 Years**

D580,701 S * 11/2008 Wojcik D7/367
D613,282 S 4/2010 Richardson et al.
D621,205 S 8/2010 Yeung
D643,674 S * 8/2011 Lee D7/362
D698,596 S * 2/2014 Hundley D7/363
D706,253 S 6/2014 Simmer
D710,142 S * 8/2014 Knoll D7/346
D736,029 S * 8/2015 Huber D7/352
D751,855 S * 3/2016 Bassill D7/362
D766,033 S * 9/2016 Hu D7/367
2015/0282588 A1* 10/2015 Hynek A45D 33/008
132/315
2016/0330798 A1* 11/2016 Kamaunu H05B 6/105

(21) Appl. No.: **29/537,409**

(22) Filed: **Aug. 25, 2015**

(51) **LOC (10) Cl.** **07-02**

(52) **U.S. Cl.**
USPC **D28/9; D7/367**

(58) **Field of Classification Search**
USPC D28/9, 10; D14/341; D7/362-367;
219/443.1, 445.1, 452.11
CPC H05B 6/1209-6/1281; H05B 6/62; H05B
3/72; H05B 3/68-3/686; A47J 36/24;
A47J 36/26
See application file for complete search history.

(56) **References Cited**

U.S. PATENT DOCUMENTS

D195,657 S * 7/1963 Sullivan D7/364
D205,820 S * 9/1966 Ryan D7/364
D261,849 S * 11/1981 Funaki D7/367
D285,280 S 8/1986 Fischer et al.
D285,523 S * 9/1986 Ayukawa D7/367
D289,130 S 4/1987 Rengeji et al.
D289,847 S 5/1987 Okamoto et al.
D296,509 S * 7/1988 Fuke D7/363
D297,701 S * 9/1988 Nakagawa D7/363
D366,390 S * 1/1996 Vitantonio D7/363
6,087,637 A * 7/2000 Fischer F24C 7/082
219/443.1
D438,423 S * 3/2001 Bassill D7/367
D501,117 S * 1/2005 Bassill D7/367

OTHER PUBLICATIONS

Ovente BG445S Cool touch Portable Infrared Cooktop Burner, www.amazon.com. 1 page.*

* cited by examiner

Primary Examiner — Jennifer Rivard
(74) *Attorney, Agent, or Firm* — Steven H. Washam; Washam PLLC

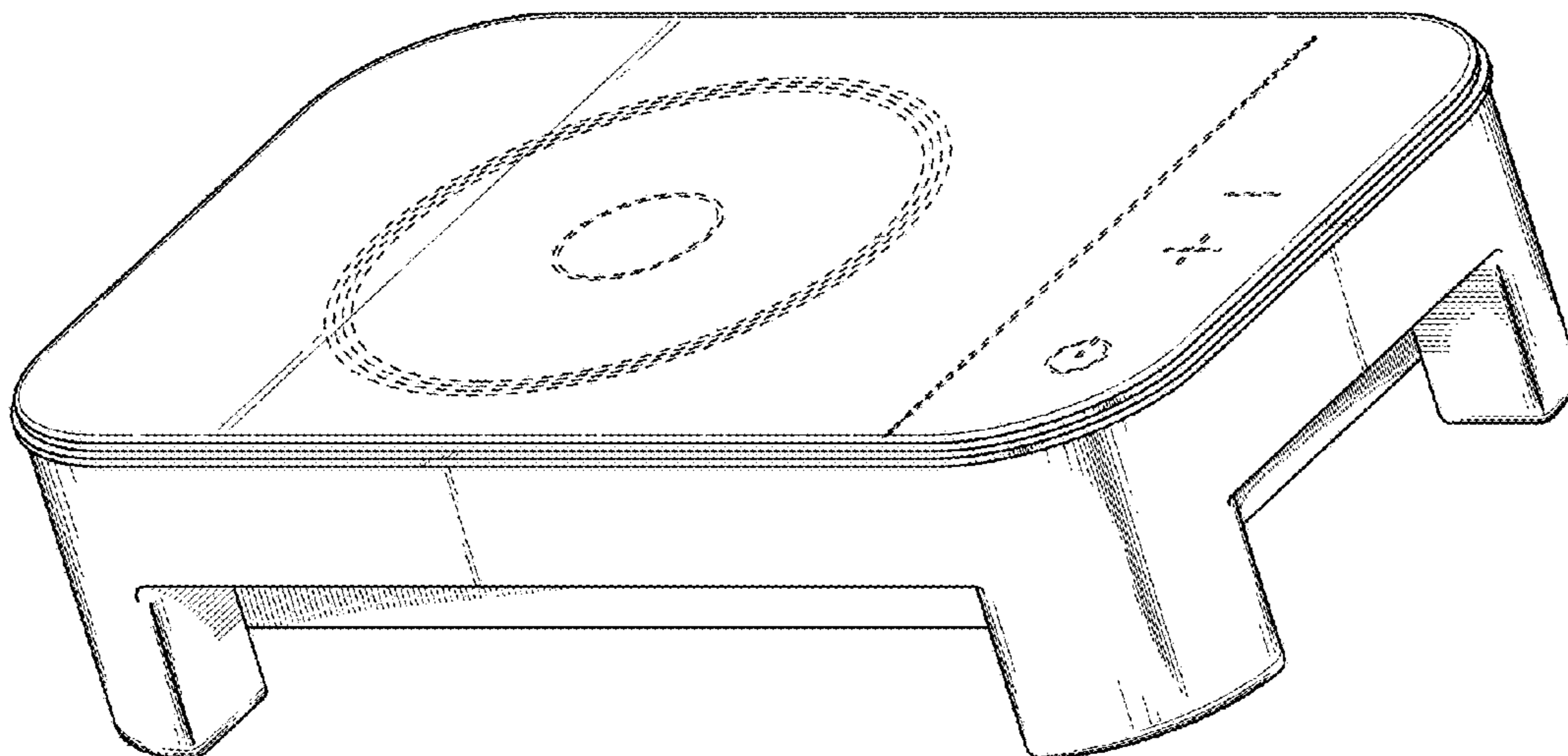
(57) **CLAIM**

We claim the ornamental design for an inductive heating plate, as shown and described.

DESCRIPTION

FIG. 1 is a perspective view of the inductive heating plate showing our new design;
FIG. 2 is a front elevational view thereof;
FIG. 3 is a rear elevational view thereof;
FIG. 4 is a left side elevational view thereof;
FIG. 5 is a right side elevational view thereof;
FIG. 6 is a top plan view thereof; and,
FIG. 7 is a bottom plan view thereof.
The broken lines illustrate portions of the inductive heating plate and form no part of the claimed design.

1 Claim, 4 Drawing Sheets



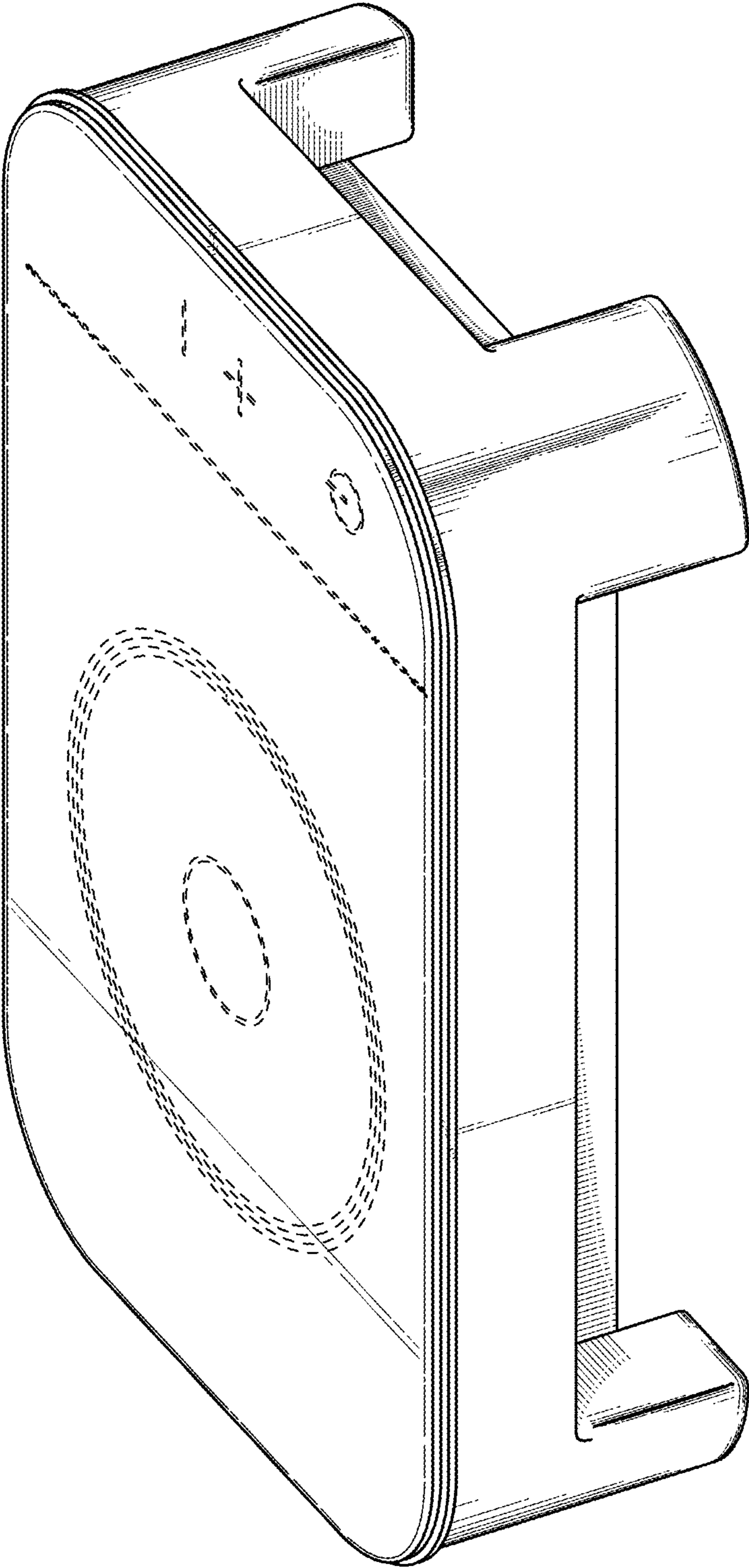


FIG. 1

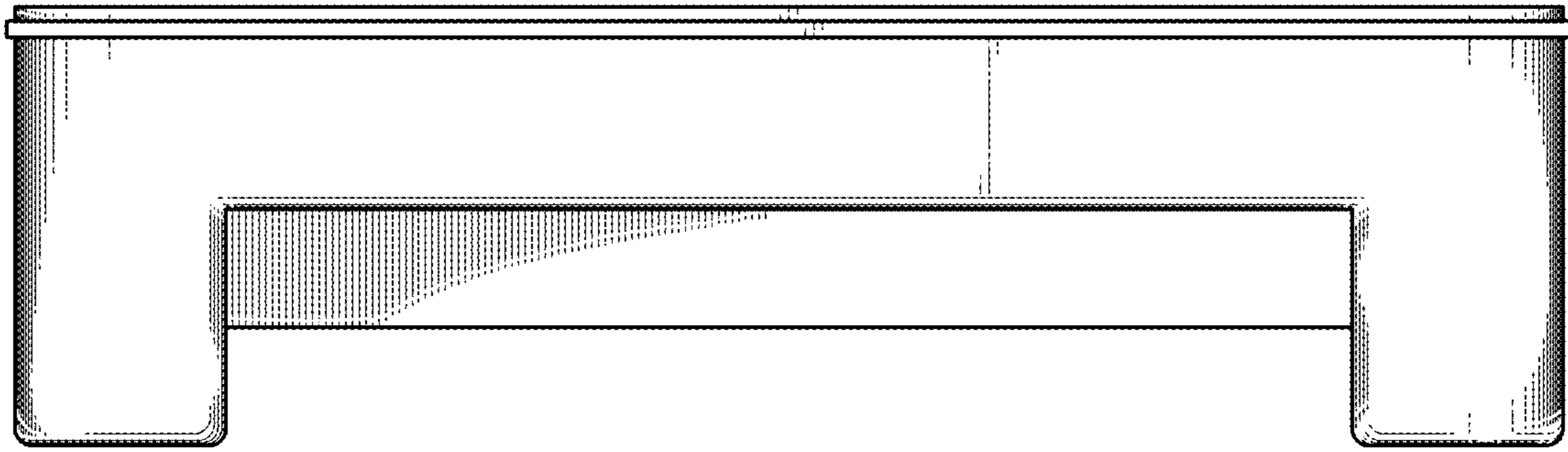


FIG. 2

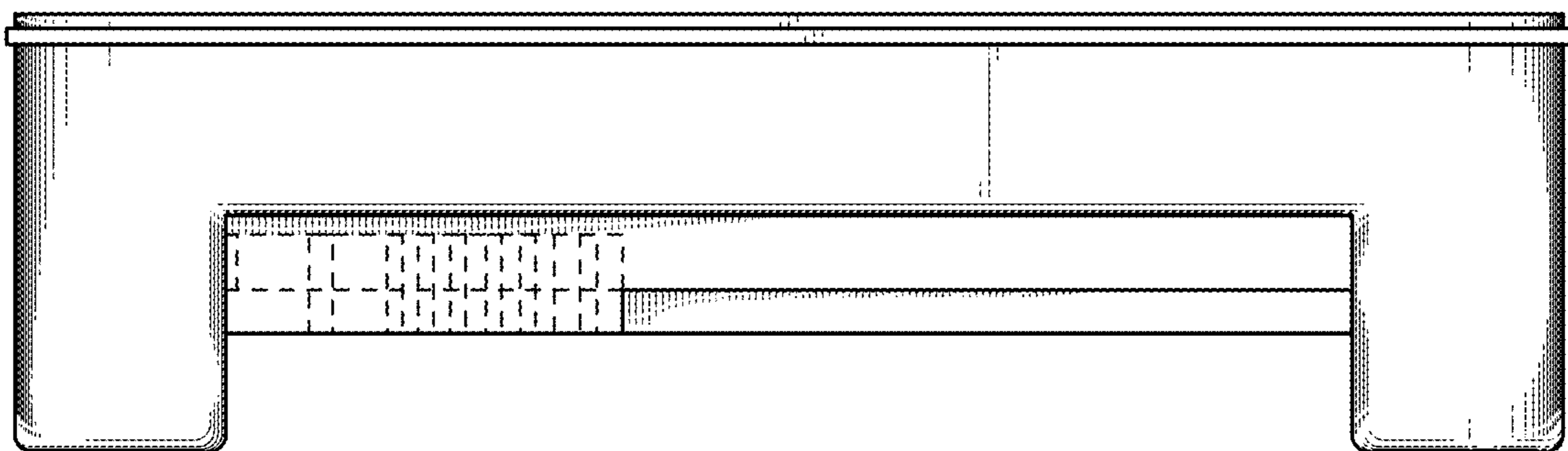


FIG. 3

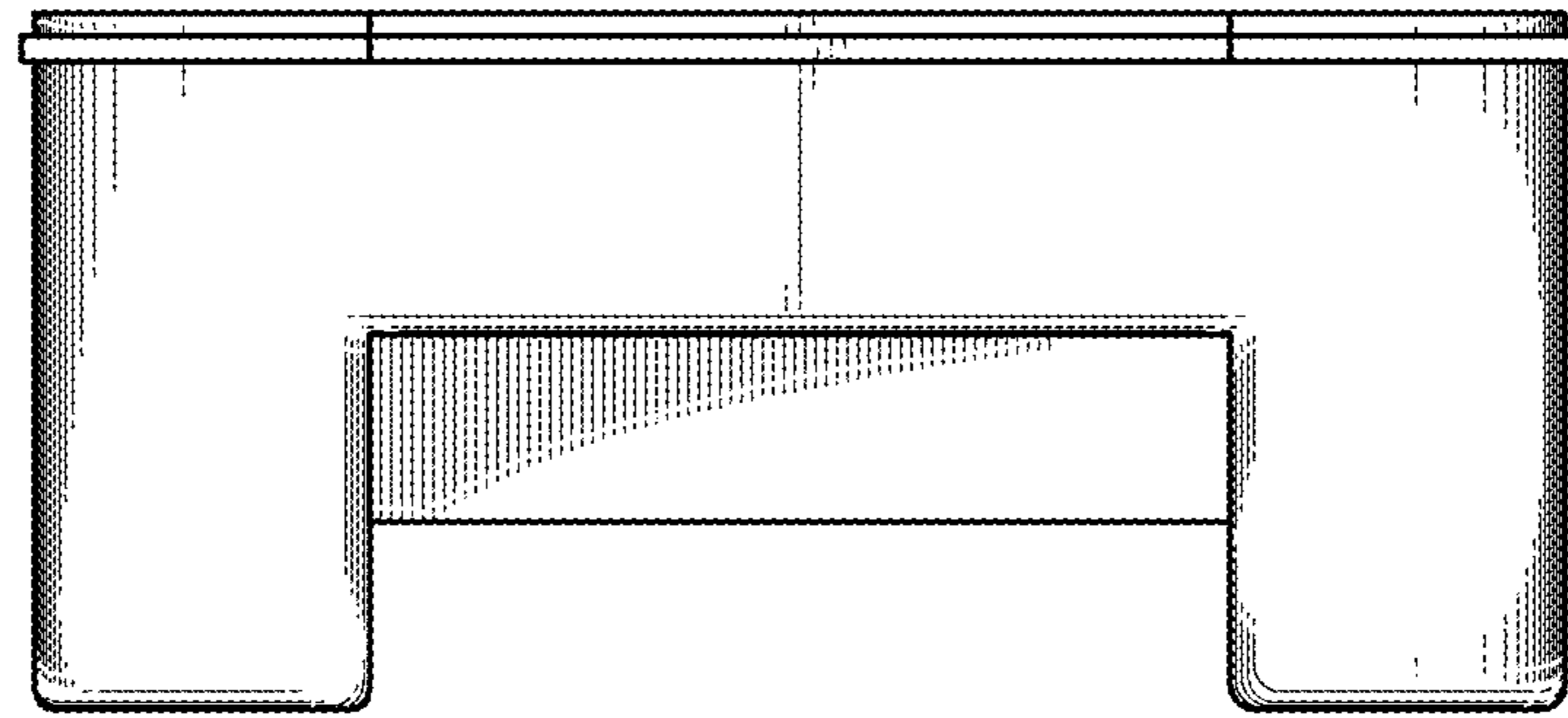


FIG. 4

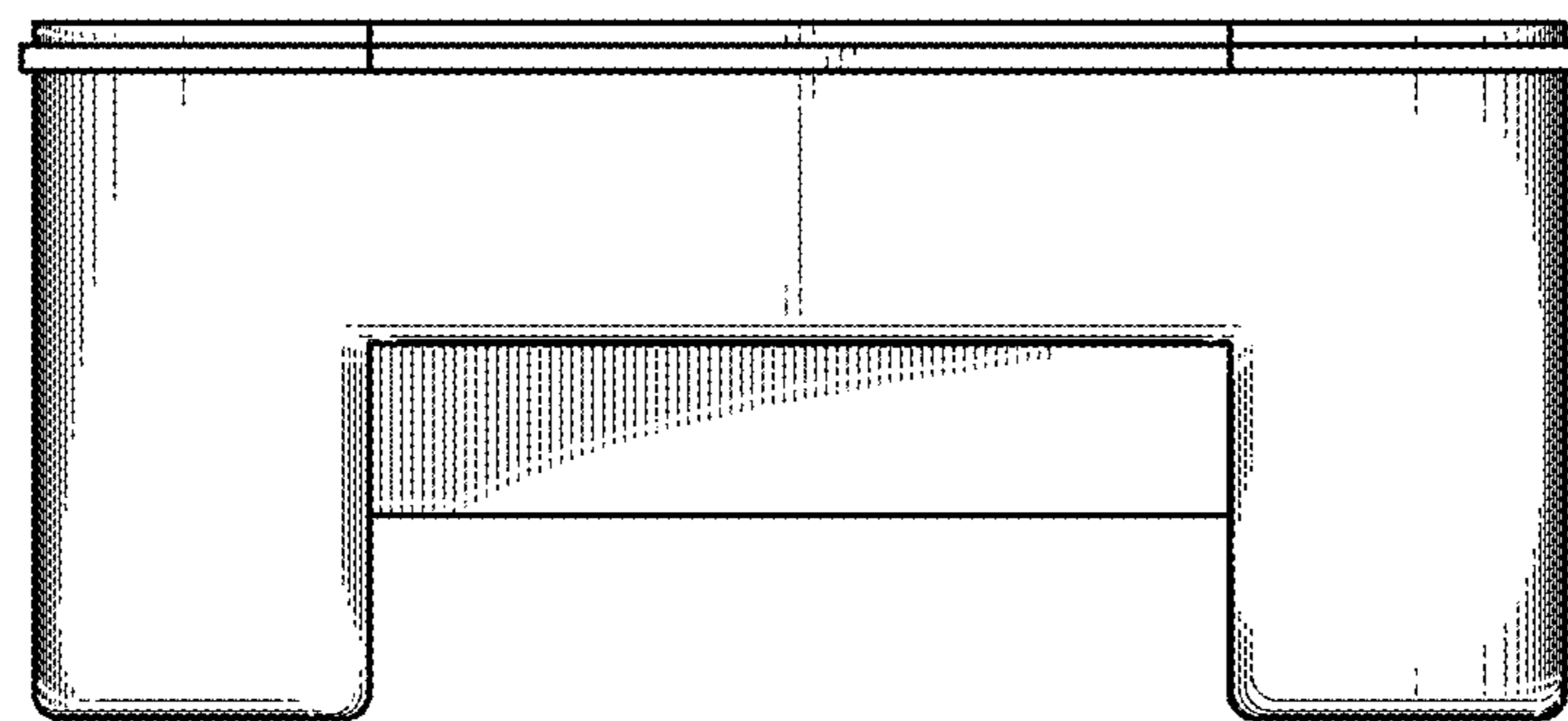


FIG. 5

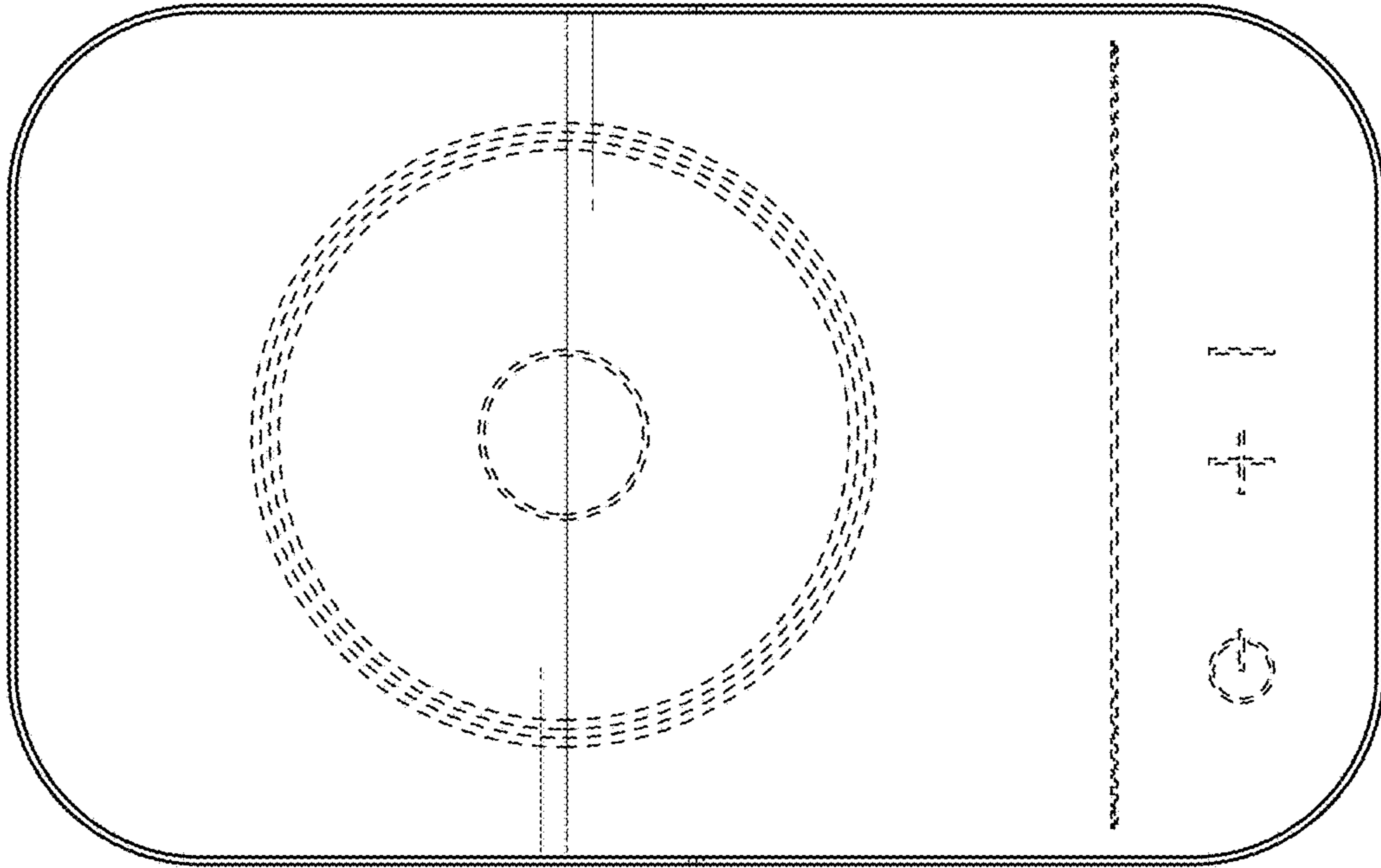


FIG. 6

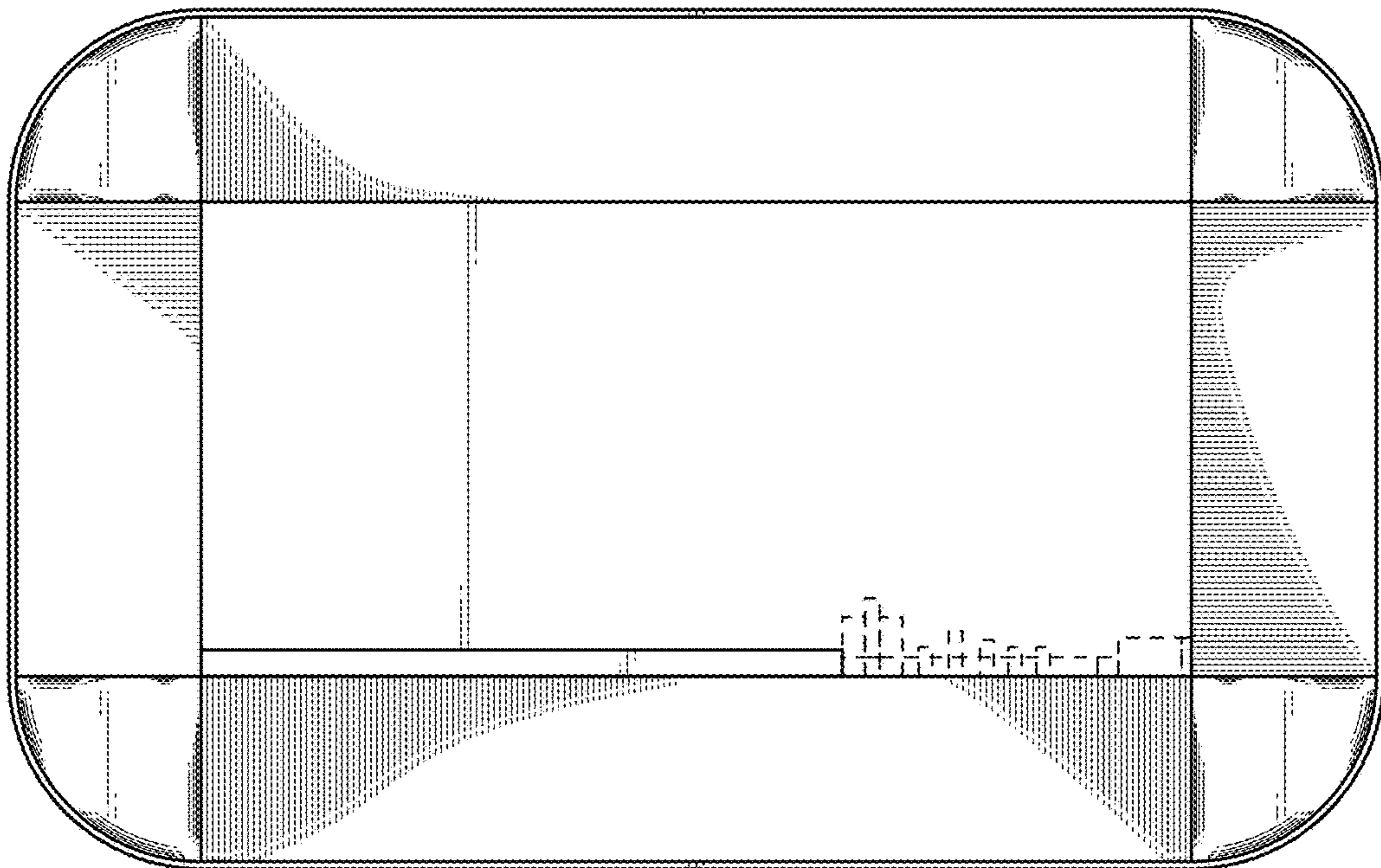


FIG. 7