



US00D791405S

(12) **United States Design Patent**
Rigobert et al.

(10) **Patent No.:** **US D791,405 S**

(45) **Date of Patent:** **** Jul. 4, 2017**

(54) **CAPSULE CONTAINING WASHING PRODUCTS**

D656,668 S * 3/2012 Stone D28/8.1
D659,902 S 5/2012 Mehdizadeh
D663,894 S * 7/2012 Davanzo D28/8.1
D679,863 S * 4/2013 Sunder D28/8.1

(71) Applicant: **Reckitt Benckiser (Brands) Limited**,
Slough (GB)

(Continued)

(72) Inventors: **Caroline Rigobert**, Heidelberg (DE);
Jordi Salvador, Granollers (ES); **Taco Dietvorst**, Eindhoven (NL)

FOREIGN PATENT DOCUMENTS

DE 49907674-0005 9/2014
DE 49907674-0009 9/2014

(Continued)

(73) Assignee: **RECKITT BENCKISER (BRANDS) LIMITED**, Slough (GB)

Primary Examiner — Jennifer Rivard

(**) Term: **15 Years**

(74) *Attorney, Agent, or Firm* — Troutman Sanders LLP;
Ryan Schneider; Chris Davis

(21) Appl. No.: **29/554,952**

(57) **CLAIM**

(22) Filed: **Feb. 17, 2016**

The ornamental design for a capsule containing washing products, as shown and described.

(30) **Foreign Application Priority Data**

DESCRIPTION

Aug. 17, 2015 (EM) 002756205-0011
Aug. 17, 2015 (EM) 002756205-0015

(51) **LOC (10) Cl.** **28-02**

(52) **U.S. Cl.**
USPC **D28/8.1; D9/425**

(58) **Field of Classification Search**
USPC D9/424–426, 428, 430–432, 702, 707,
D9/710, 737, 759
CPC C11D 17/04; C11D 17/041–17/042; C11D
17/043–17/047; C11D 17/0047–17/0091;
C11D 17/0095; C11D 17/00–17/0021
See application file for complete search history.

FIG. 1 is a perspective view of a capsule containing washing products of the present invention;
FIG. 2 is a side view of the capsule containing washing products of FIG. 1;
FIG. 3 is the other side view of the capsule containing washing products of FIG. 1;
FIG. 4 is a back view of the capsule containing washing products of FIG. 1;
FIG. 5 is a front view of the capsule containing washing products of FIG. 1;
FIG. 6 is a top view of the capsule containing washing products of FIG. 1; and,
FIG. 7 is a bottom view of the capsule containing washing products of FIG. 1.

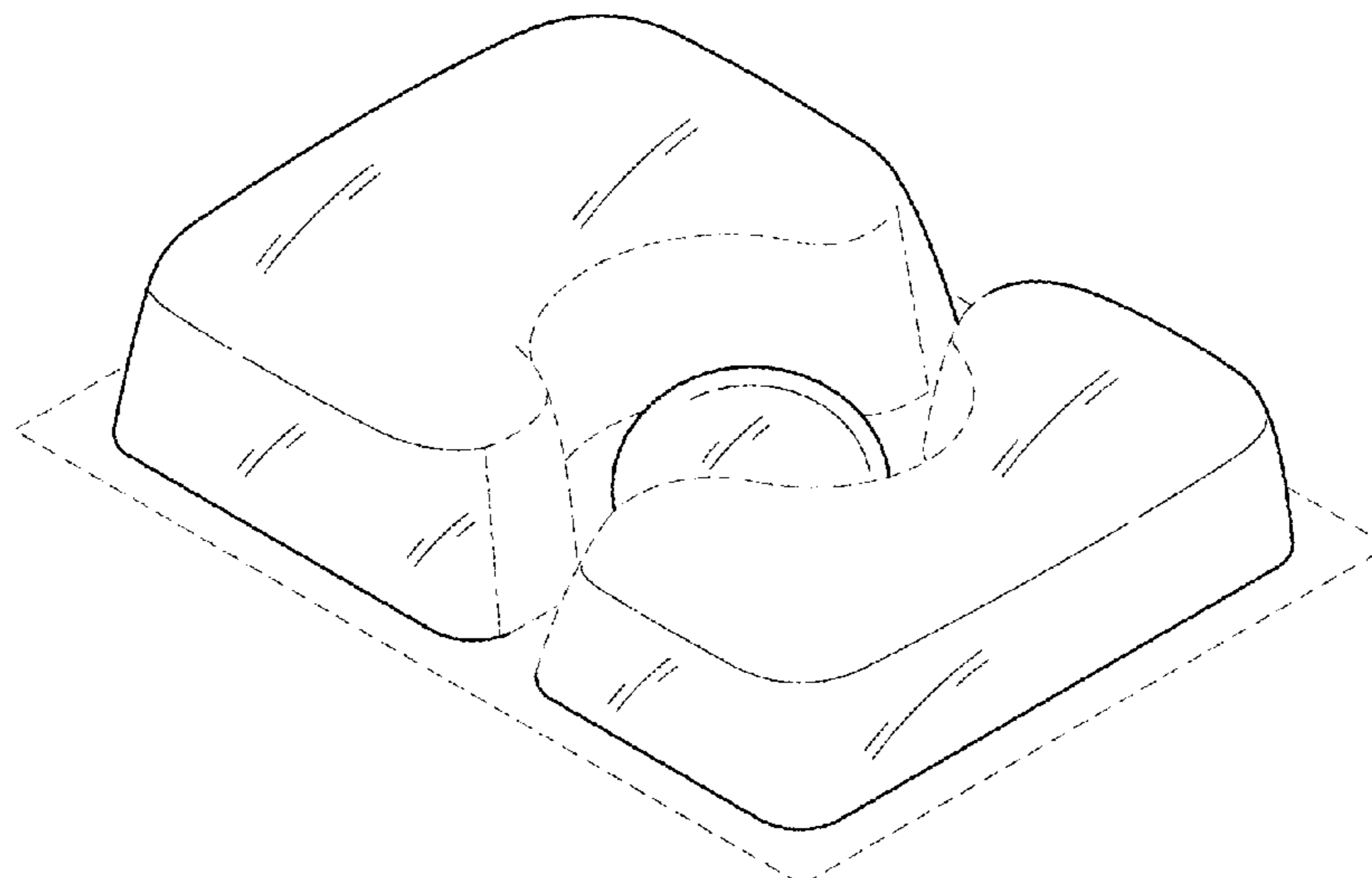
(56) **References Cited**

U.S. PATENT DOCUMENTS

D565,244 S * 3/2008 Schwartz D28/8.1
D599,056 S * 8/2009 Schwartz D28/8.1
D608,049 S * 1/2010 Schwartz D28/8.1
D621,718 S 8/2010 Mehdizadeh
D648,064 S * 11/2011 Pflug D28/8.1
D649,710 S 11/2011 Mehdizadeh

The evenly spaced broken lines in FIGS. 1-7 illustrate portions of the capsule containing washing products. The dash-dot-dash broken lines illustrate the bounds of the claim. None of the broken line disclosure forms part of the claimed design.

1 Claim, 3 Drawing Sheets



(56)

References Cited

U.S. PATENT DOCUMENTS

D689,241	S	9/2013	Gerhards	
D691,326	S	10/2013	Gerhards	
D695,451	S	12/2013	Gerhards	
D714,161	S *	9/2014	Crawford	D9/707
D728,157	S *	4/2015	Sarb	D28/8.1
D732,735	S	6/2015	Nixon et al.	
D733,962	S *	7/2015	Sunder	D28/8.1
D735,407	S *	7/2015	Gerhards	D28/8.1
D735,408	S *	7/2015	Meier	D28/8.1
D735,409	S	7/2015	Sunder	
D744,162	S *	11/2015	Sunder	D28/8.1
D748,330	S *	1/2016	Gerhards	D28/8.1
2005/0263428	A1 *	12/2005	Duffield	C11D 17/042 206/524.7
2010/0105596	A1 *	4/2010	Wiedemann	C11D 17/041 510/220

FOREIGN PATENT DOCUMENTS

EM	000019070-0001	12/2005
EM	000019070-0002	12/2005
EM	000019070-0003	12/2005
EM	000019070-0004	12/2005
EM	000019070-0005	12/2005
EM	000019070-0006	12/2005
EM	000019070-0007	12/2005
EM	000019070-0008	12/2005
EM	000050380-0001	12/2005
EM	000050380-0004	12/2005
EM	000675855-0001	4/2007
EM	000675855-0002	4/2007
EM	002063214-0001	6/2012
EM	002063412-0004	6/2012
EM	002118075-0001	10/2012
EM	002118075-0002	10/2012
EM	002118075-0003	10/2012
EM	001859505-0001	11/2012
EM	001859505-0002	11/2012
EM	001859505-0003	11/2012
EM	001859505-0004	11/2012
EM	001859505-0005	11/2012
EM	001859505-0006	11/2012
EM	001859505-0007	11/2012
EM	001859505-0008	11/2012
EM	001859505-0009	11/2012
EM	001859505-0010	11/2012
EM	001378921-0001	8/2013
EM	001378921-0002	8/2013
EM	001378921-0003	8/2013
EM	001382477-0001	9/2013
EM	001382477-0002	9/2013
EM	001913831-0001	10/2013
EM	001913831-0002	10/2013
EM	001913831-0003	10/2013
EM	001913831-0004	10/2013
EM	001913831-0005	10/2013
EM	001913831-0006	10/2013
EM	001913831-0007	10/2013
EM	001913831-0008	10/2013
EM	001386155-0001	11/2013
EM	001913419-0001	11/2013
EM	001913419-0002	11/2013
EM	001913419-0003	11/2013
EM	001913419-0004	11/2013
EM	002390658-0001	1/2014

EM	002390658-0002	1/2014
EM	002390658-0003	1/2014
EM	002390658-0004	1/2014
EM	002390658-0005	1/2014
EM	002390658-0006	1/2014
EM	002390658-0007	1/2014
EM	002390658-0008	1/2014
EM	002453282-0001	4/2014
EM	002453282-0002	4/2014
EM	002480079-0001	6/2014
EM	002480079-0002	6/2014
EM	002480079-0003	6/2014
EM	002480079-0004	6/2014
EM	002063412-0001	9/2014
EM	002063412-0002	9/2014
EM	002063412-0003	9/2014
EM	002063453-0001	9/2014
EM	002063438-0001	10/2014
EM	002680801-0001	4/2015
EM	002680801-0002	4/2015
EM	002680801-0003	4/2015
EM	002294900-0001	9/2015
EM	002294900-0002	9/2015
EM	002294900-0003	9/2015
EM	002294900-0004	9/2015
EM	002294900-0005	9/2015
EM	002294900-0006	9/2015
EM	002844035-0001	11/2015
EM	002844035-0002	11/2015
EP	1375637	A1 1/2004
EP	1478727	B2 11/2004
PL	21973	S2 2/2016
TR	DM-082599-0003	4/2013
TR	DM-082599-0005	4/2013
TR	DM-082599-0012	4/2013
TR	DM-082599-0015	4/2013
TR	DM-082599-0020	4/2013
TR	DM-082599-0022	4/2013
TR	DM-082599-0023	4/2013
WO	0136290	A1 5/2001
WO	2008087417	A1 7/2008
WO	DM-082599-0001	4/2013
WO	DM-082599-0002	4/2013
WO	DM-082599-0004	4/2013
WO	DM-082599-0006	4/2013
WO	DM-082599-0007	4/2013
WO	DM-082599-0008	4/2013
WO	DM-082599-0009	4/2013
WO	DM-082599-0010	4/2013
WO	DM-082599-0011	4/2013
WO	DM-082599-0013	4/2013
WO	DM-082599-0014	4/2013
WO	DM-082599-0016	4/2013
WO	DM-082599-0017	4/2013
WO	DM-082599-0018	4/2013
WO	DM-082599-0019	4/2013
WO	DM-082599-0021	4/2013
WO	DM-082599-0024	4/2013
WO	DM-082599-0025	4/2013
WO	DM-082599-0026	4/2013
WO	DM-082599-0027	4/2013
WO	DM-082599-0028	4/2013
WO	DM-082599-0029	4/2013
WO	DM-083857-0001	6/2014
WO	DM-083857-0002	6/2014
WO	DM-083857-0003	6/2014
WO	DM-085740-0001	2/2015

* cited by examiner

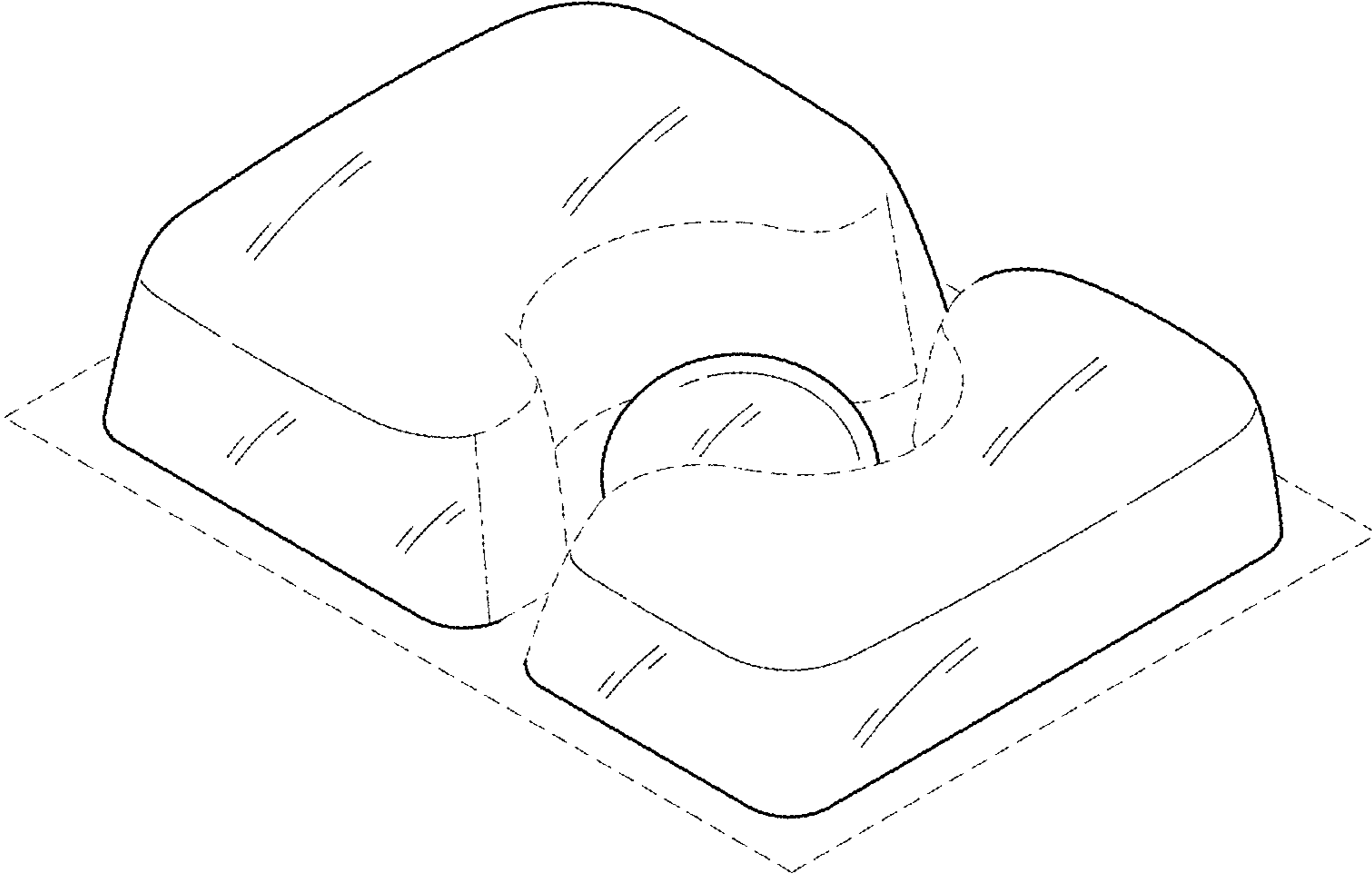


Fig. 1

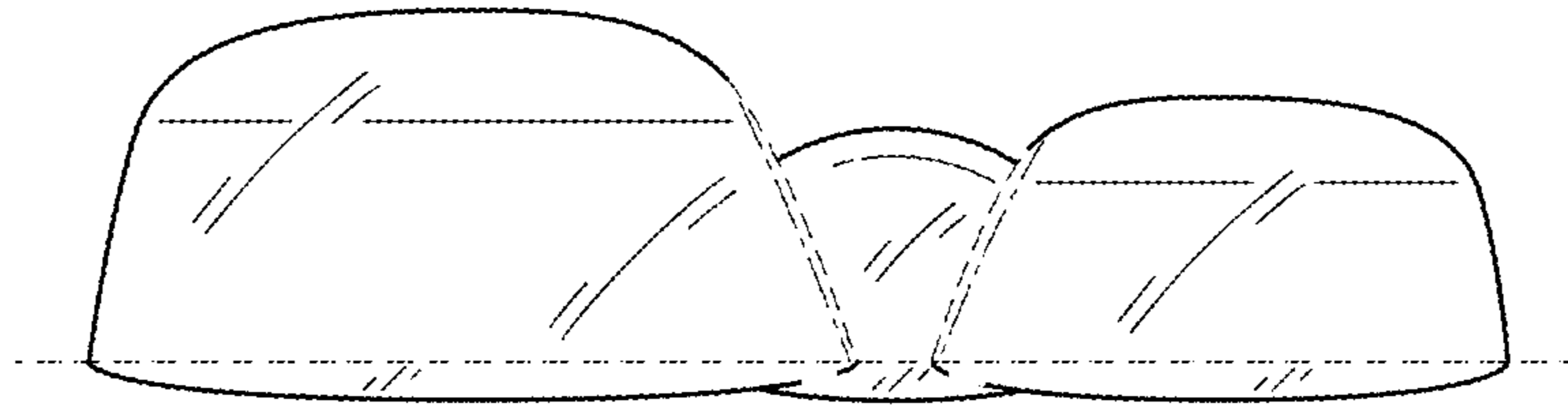


Fig. 2

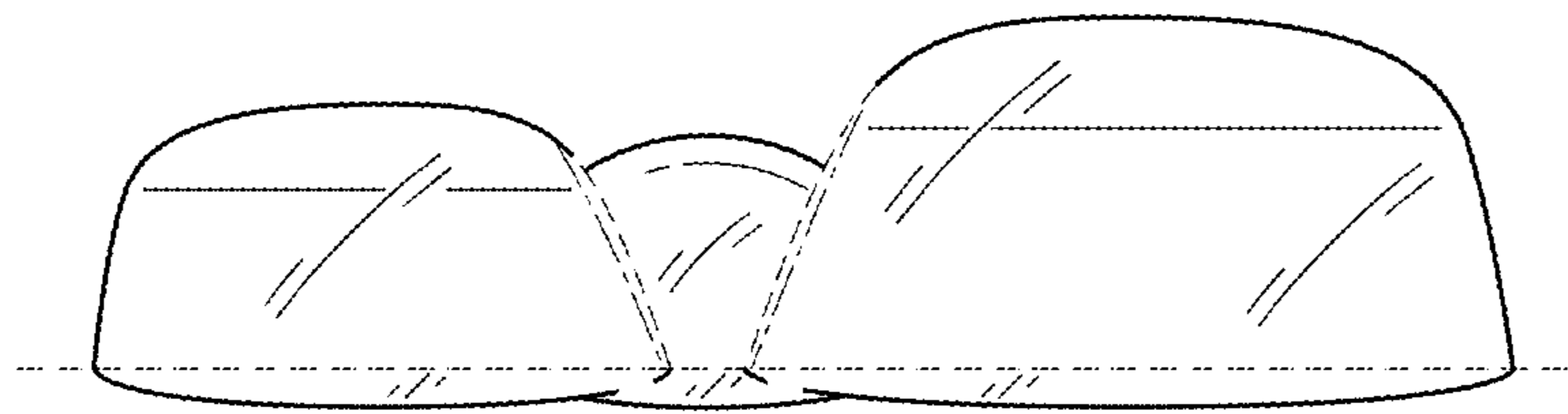


Fig. 3

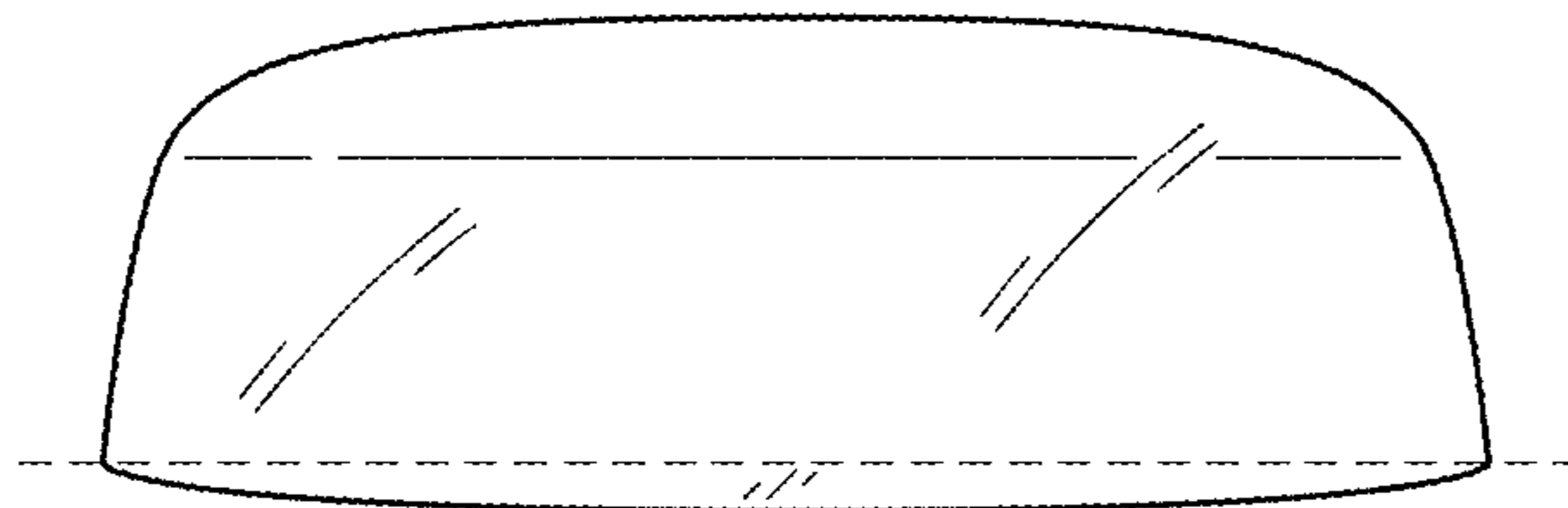


Fig. 4

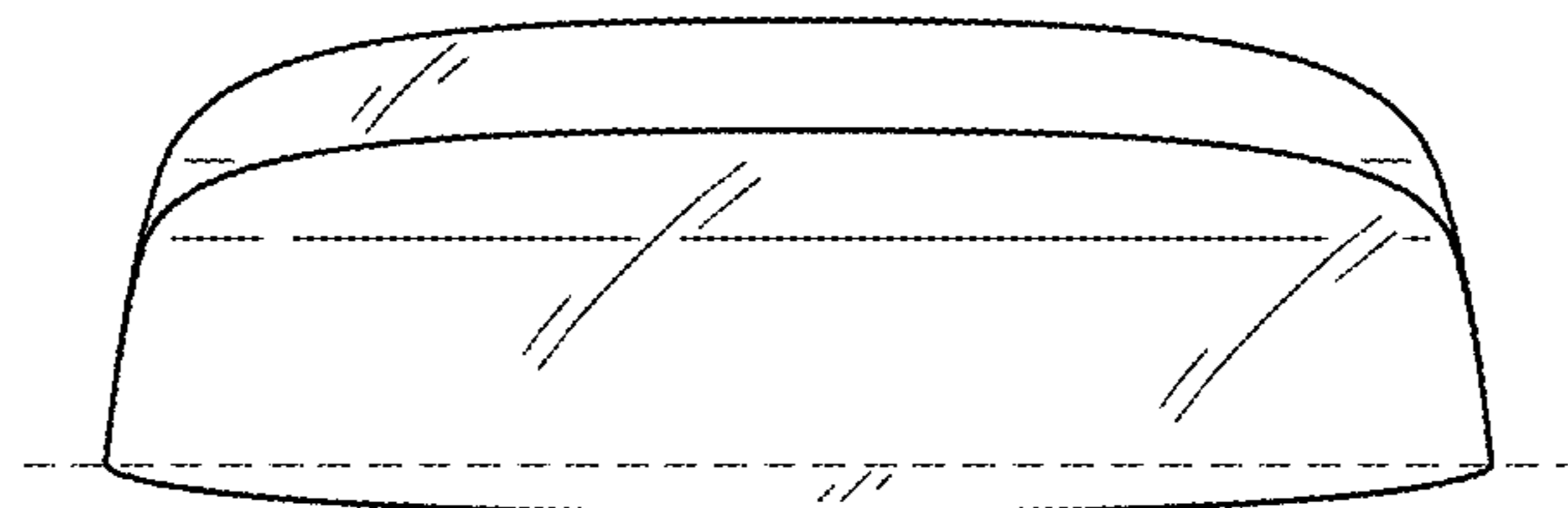


Fig. 5

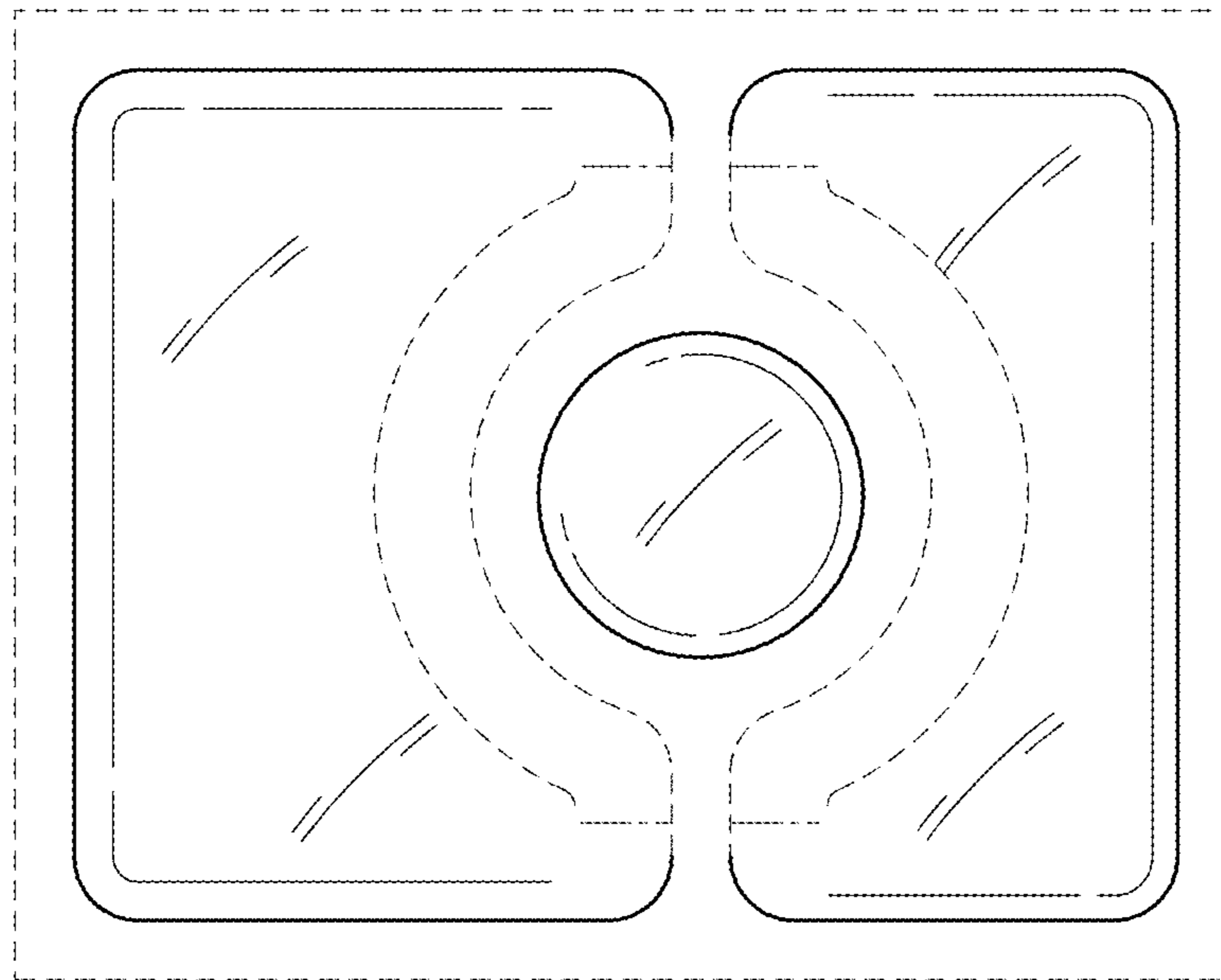


Fig. 6

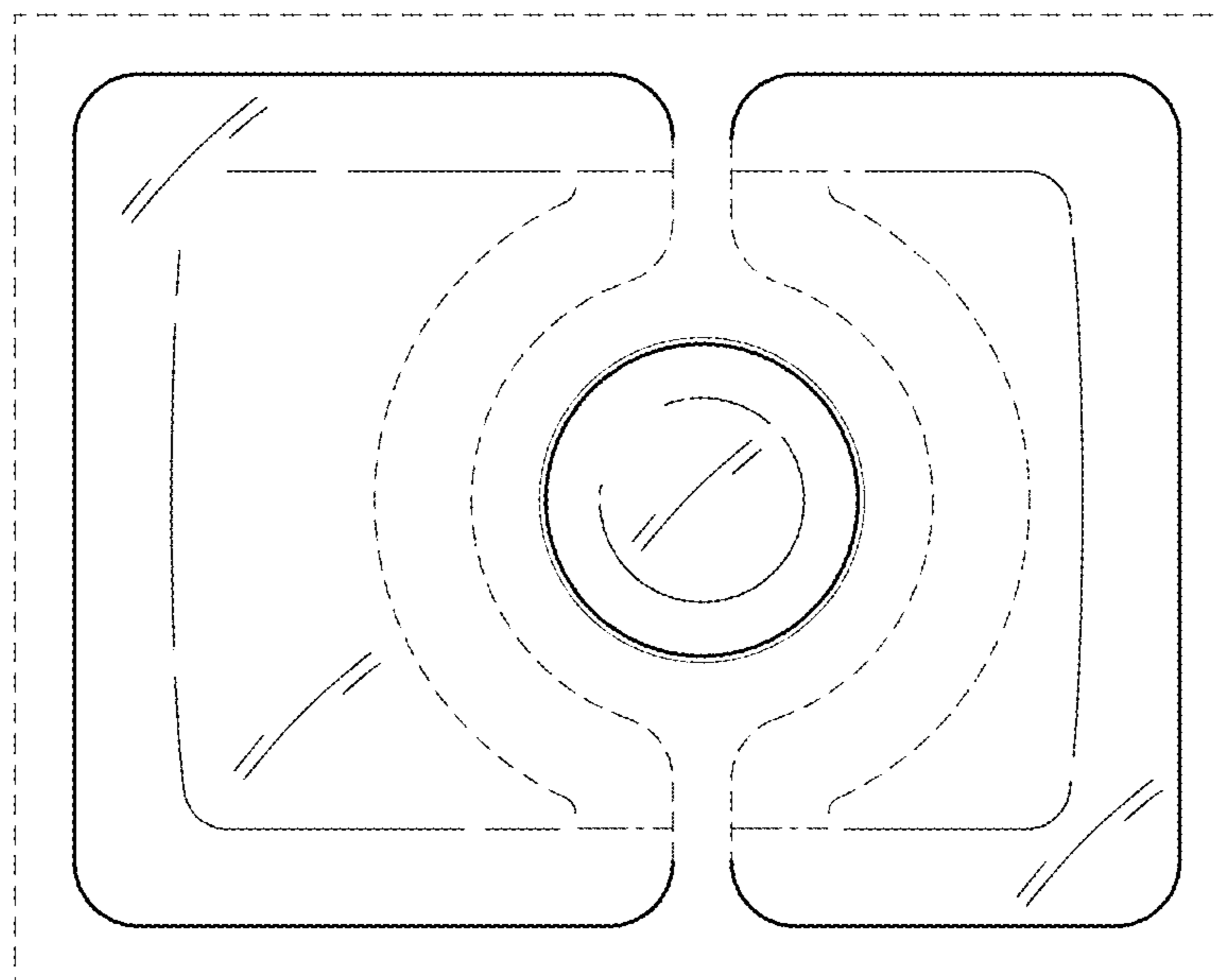


Fig. 7