



US00D791403S

(12) **United States Design Patent** (10) **Patent No.:** **US D791,403 S**  
**Malhi** (45) **Date of Patent:** **\*\* Jul. 4, 2017**

- (54) **DOUBLE CIGAR CUTTER**
- (71) Applicant: **Anil K Malhi**, Riverside, CA (US)
- (72) Inventor: **Anil K Malhi**, Riverside, CA (US)
- (\*\*) Term: **15 Years**
- (21) Appl. No.: **29/563,748**
- (22) Filed: **May 6, 2016**
- (51) **LOC (10) Cl.** ..... **27-99**
- (52) **U.S. Cl.**  
USPC ..... **D27/195**
- (58) **Field of Classification Search**  
USPC ..... D27/100, 101, 162, 163-169, 172, 175,  
D27/186, 189, 193, 194, 195, 136, 137,  
D27/138; D8/98  
CPC .... A24F 13/24; A24F 5/00; A24F 7/02; A24F  
3/00; A24F 47/002; A24F 15/12; A24F  
15/18; A24F 47/008  
See application file for complete search history.

- D414,894 S \* 10/1999 Chen ..... D27/195
- 5,992,022 A \* 11/1999 Carrera Moya ..... A24F 13/24  
131/248
- D455,521 S \* 4/2002 Park ..... D27/195
- D545,163 S \* 6/2007 Russell ..... D8/98
- D546,000 S \* 7/2007 Kan ..... D27/195
- 7,306,103 B2 \* 12/2007 Dustin ..... A45D 33/20  
206/581
- D566,513 S \* 4/2008 Marfione ..... D8/20
- D569,548 S \* 5/2008 Smith ..... D27/195
- D597,251 S \* 7/2009 Smith ..... D27/195
- D602,632 S \* 10/2009 Smith ..... D27/195
- D605,351 S \* 12/2009 Smith ..... D27/195
- D608,942 S \* 1/2010 Hbaidu ..... D27/195
- D616,604 S \* 5/2010 Chuan ..... D27/195
- D617,496 S \* 6/2010 Wong ..... D27/195

(Continued)

*Primary Examiner* — Robert M Spear  
*Assistant Examiner* — Marissa J Cash  
(74) *Attorney, Agent, or Firm* — Robert J. Lauson;  
Lauson & Tarver LLP

(57) **CLAIM**

I claim the ornamental design for a double cigar cutter, as shown and described.

**DESCRIPTION**

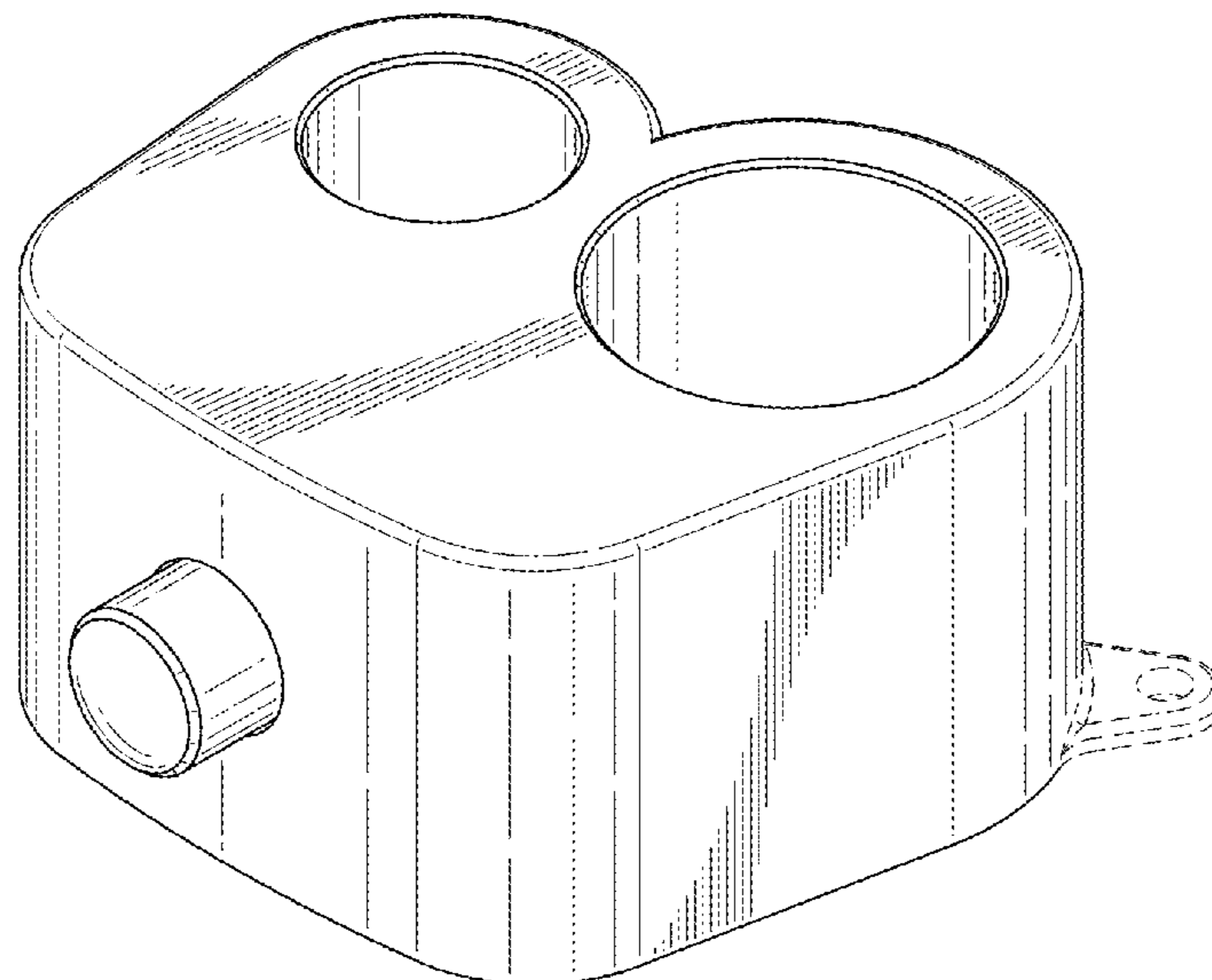
FIG. 1 is a top perspective view of a double cigar cutter.  
FIG. 2 is an bottom perspective view of a double cigar cutter.  
FIG. 3 is a top view of a double cigar cutter.  
FIG. 4 is a bottom view of a double cigar cutter.  
FIG. 5 is a left side elevation view of a double cigar cutter.  
FIG. 6 is a right side elevation view of a double cigar cutter.  
FIG. 7 is a front view of a double cigar cutter; and,  
FIG. 8 is a rear view of a double cigar cutter.  
The broken lines shown are included for the purpose of illustrating portions of the double cigar cutter that form no part of the claim.

**1 Claim, 4 Drawing Sheets**

(56) **References Cited**

U.S. PATENT DOCUMENTS

- D314,639 S \* 2/1991 Rousseau ..... D27/195
- D352,440 S \* 11/1994 Perigny ..... D8/98
- D375,576 S \* 11/1996 Mesco ..... D27/195
- D386,814 S \* 11/1997 Mesco ..... D27/195
- D391,016 S \* 2/1998 Marusiak ..... D27/195
- 5,715,602 A \* 2/1998 Hage ..... A24F 13/26  
30/111
- D396,125 S \* 7/1998 Chen ..... D27/195
- D398,072 S \* 9/1998 Singletary ..... D27/195
- 5,893,212 A \* 4/1999 Meister ..... A24F 13/26  
30/113
- D409,795 S \* 5/1999 White ..... D27/195
- D413,408 S \* 8/1999 White ..... D27/195
- 5,946,753 A \* 9/1999 Roberts ..... A24F 13/26  
30/113



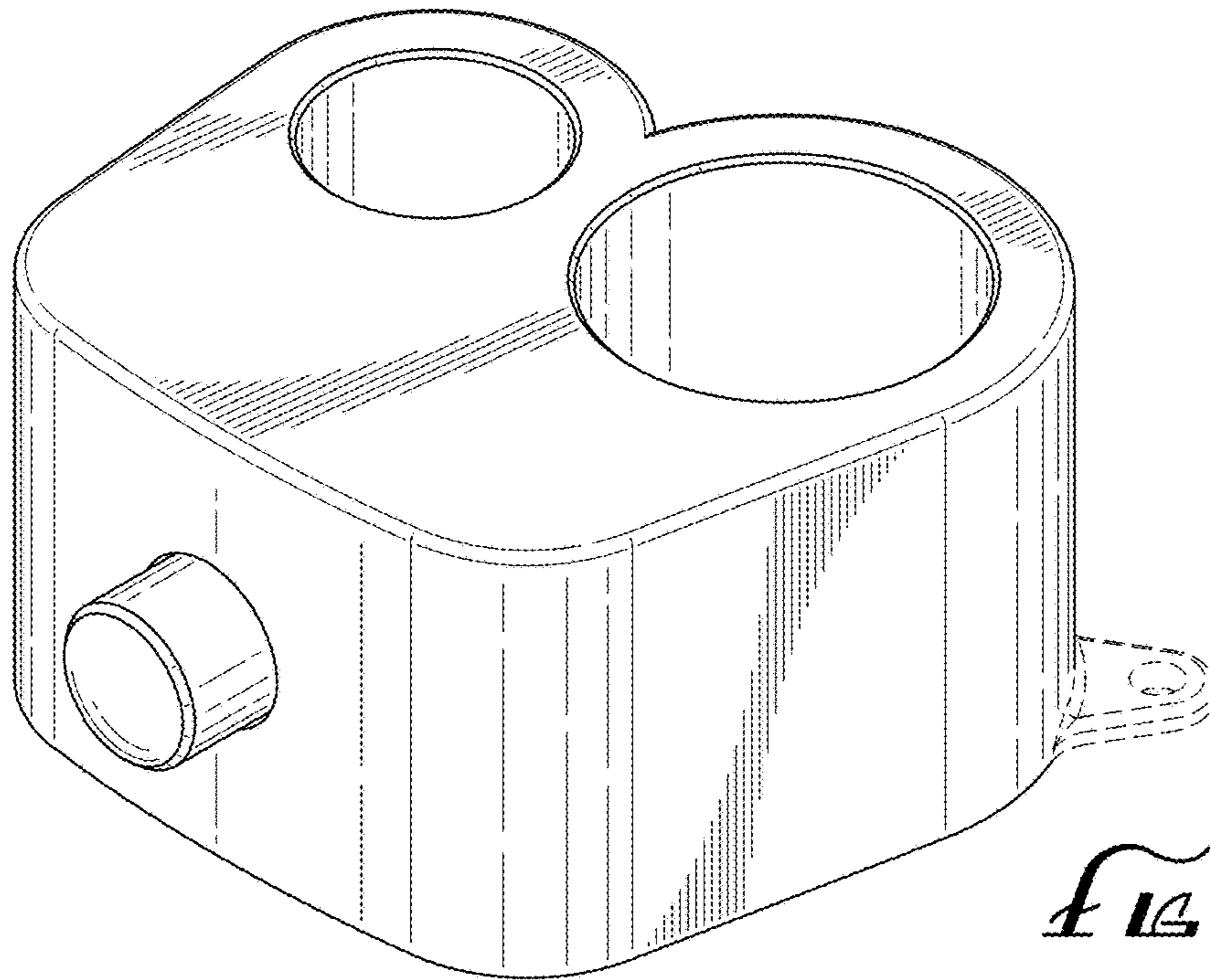
(56)

**References Cited**

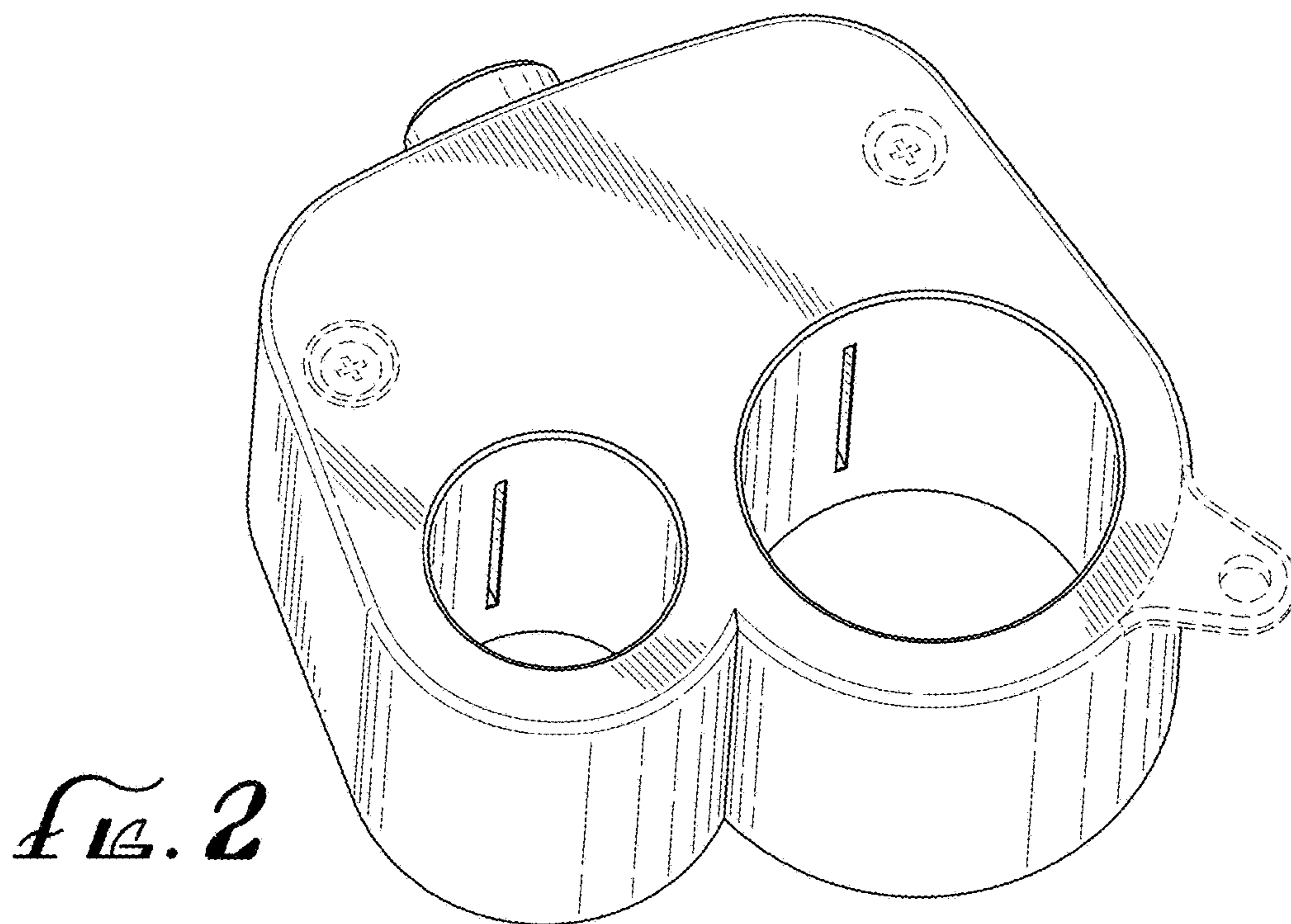
U.S. PATENT DOCUMENTS

D623,352 S \* 9/2010 Melgaard ..... D21/793  
D630,794 S \* 1/2011 Cohen Harel ..... D27/195  
7,861,727 B1 \* 1/2011 Jones ..... A24F 13/26  
131/253  
D651,337 S \* 12/2011 Bryman ..... D27/172  
D698,993 S \* 2/2014 Sharif ..... D27/195  
9,055,769 B2 \* 6/2015 Liao ..... A24F 13/26  
D757,359 S \* 5/2016 Van Keppel ..... D27/195  
D782,109 S \* 3/2017 King ..... D27/195  
2007/0000133 A1 \* 1/2007 Kasuli ..... A45F 5/02  
30/113  
2009/0113718 A1 \* 5/2009 Smith ..... A24F 13/26  
30/113  
2011/0302785 A1 \* 12/2011 Chuan ..... A24F 13/26  
30/113  
2015/0272214 A1 \* 10/2015 Giller ..... A24F 1/30  
131/329  
2015/0305407 A1 \* 10/2015 Li ..... A61M 11/08  
131/273

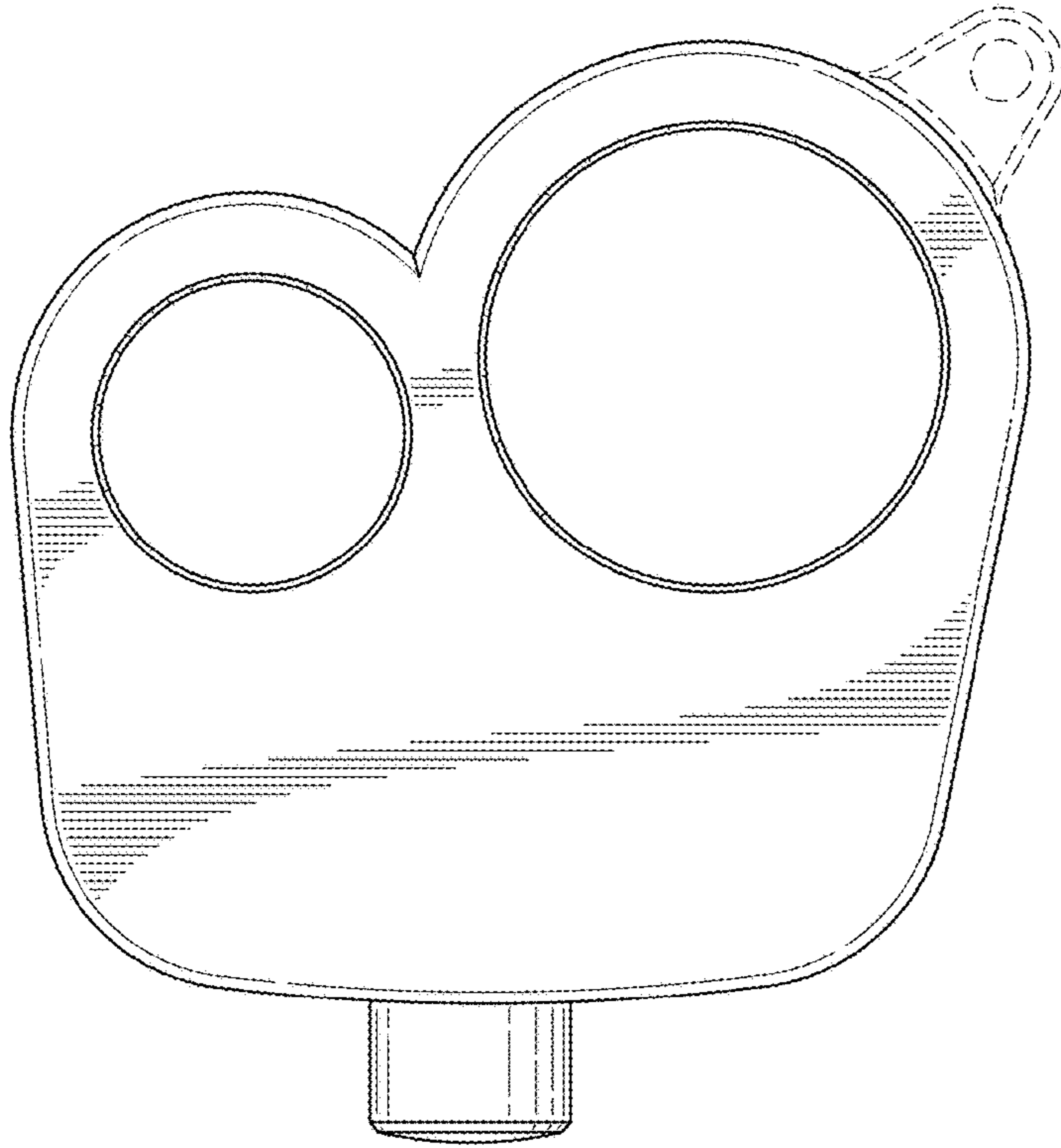
\* cited by examiner



*FIG. 1*

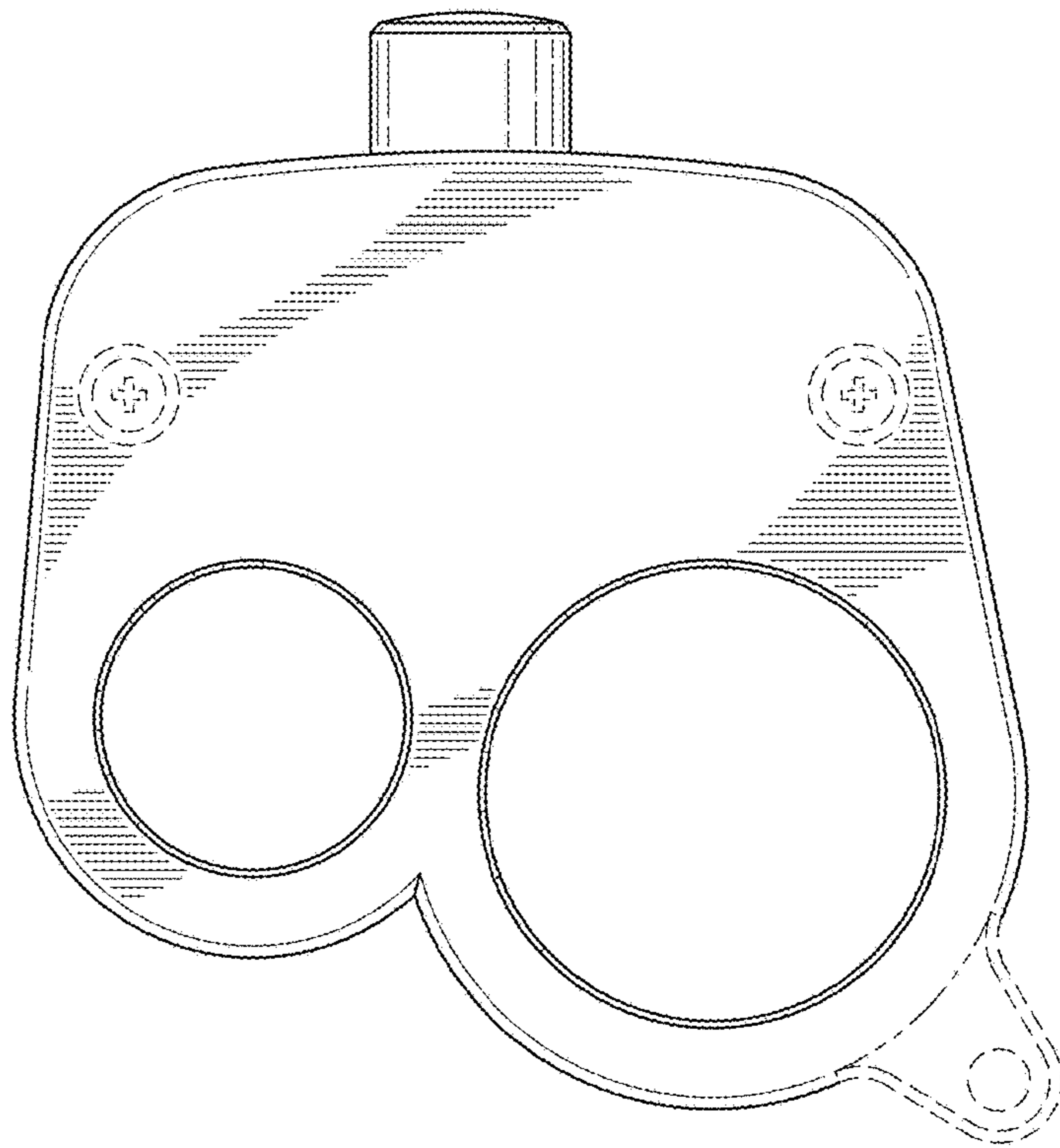


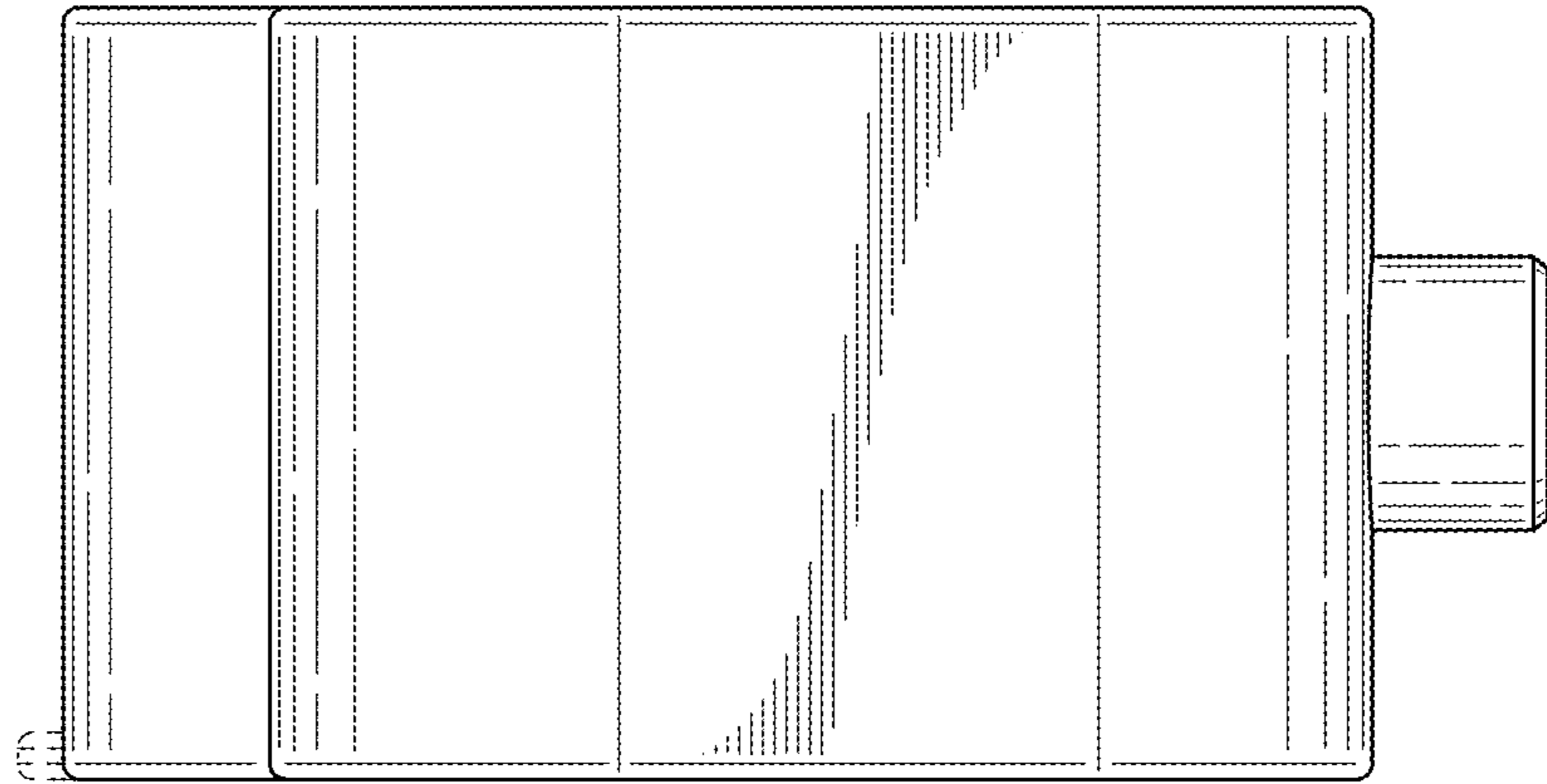
*FIG. 2*



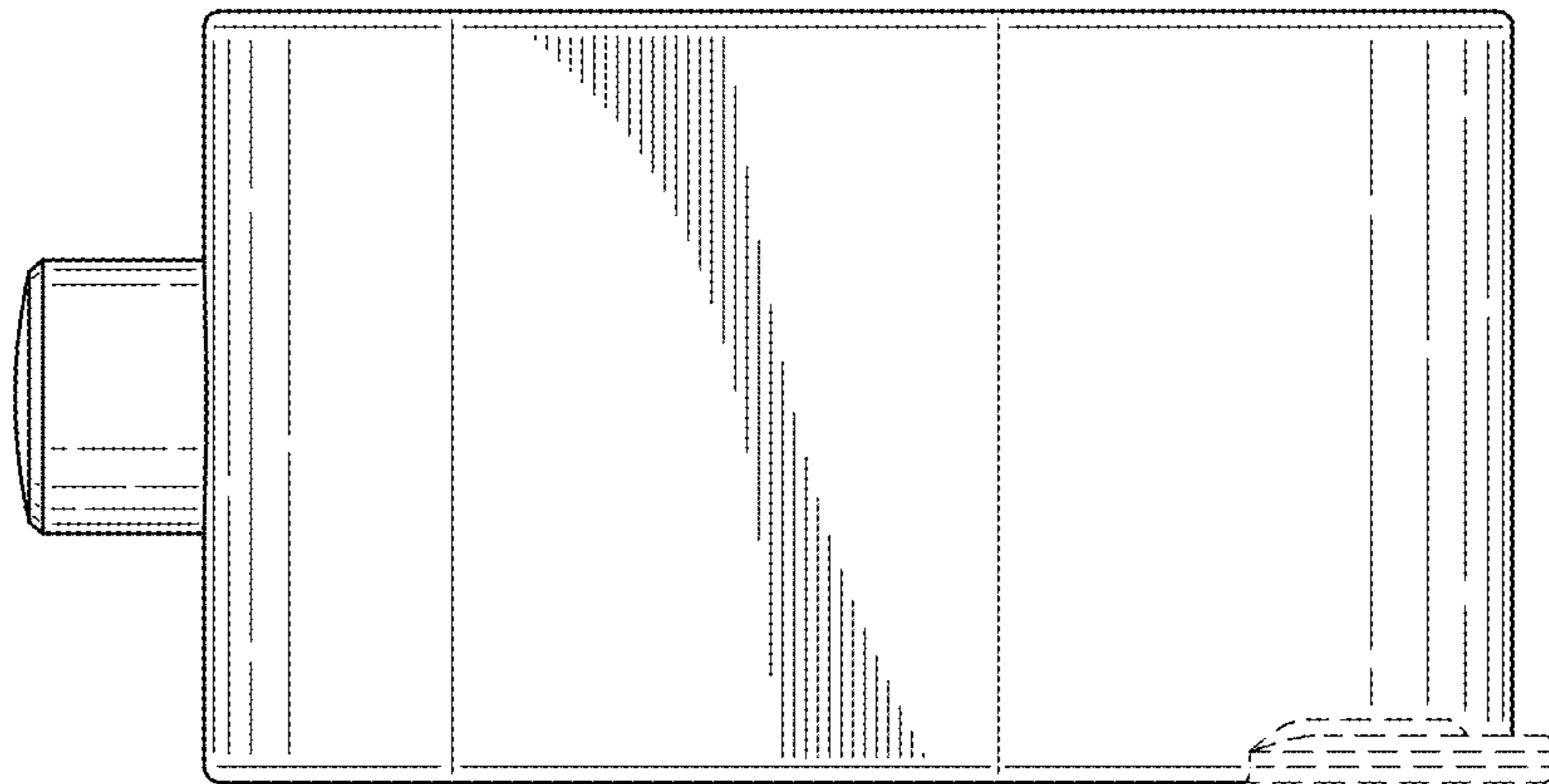
*FIG. 3*

*FIG. 4*

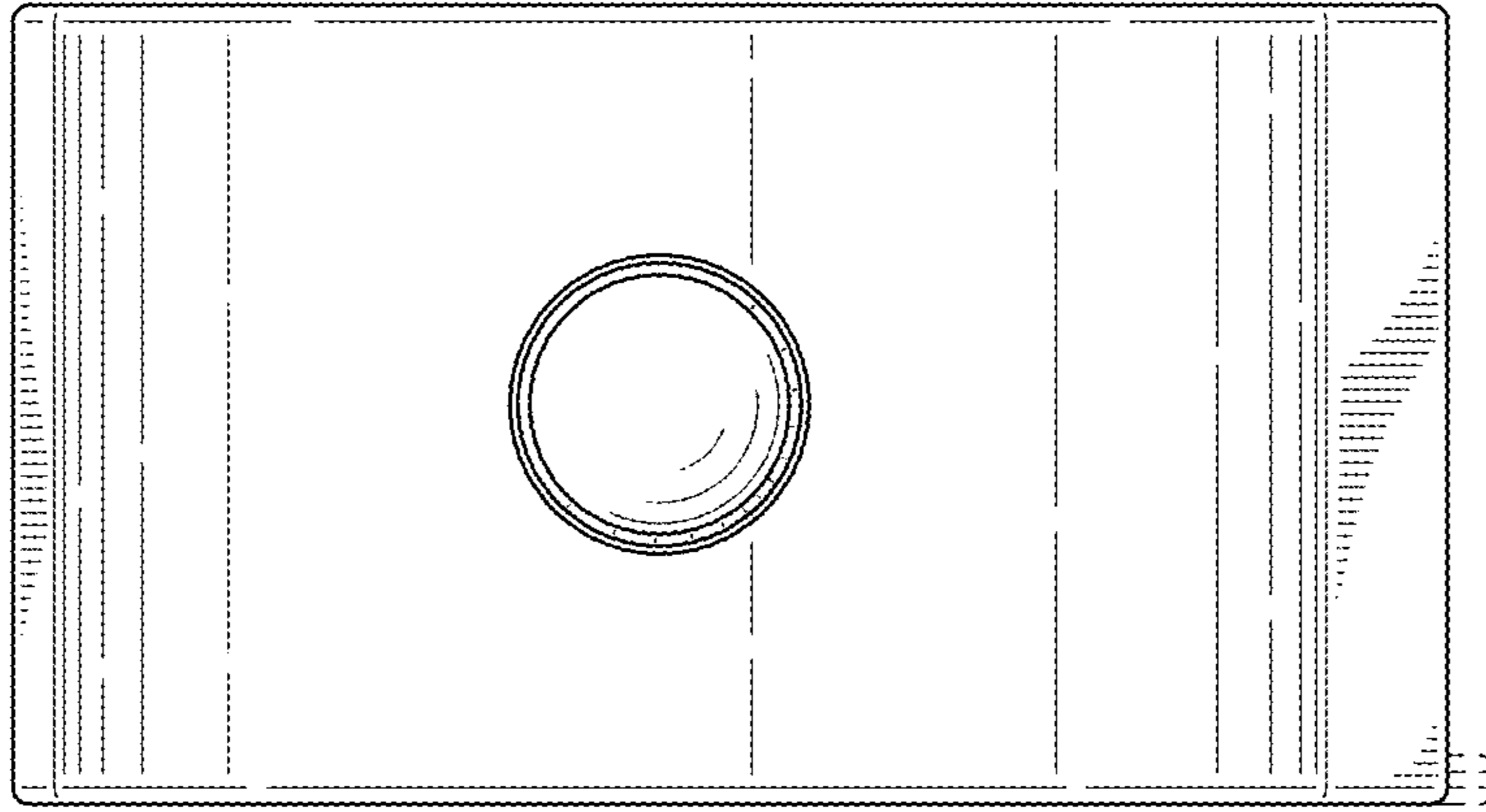




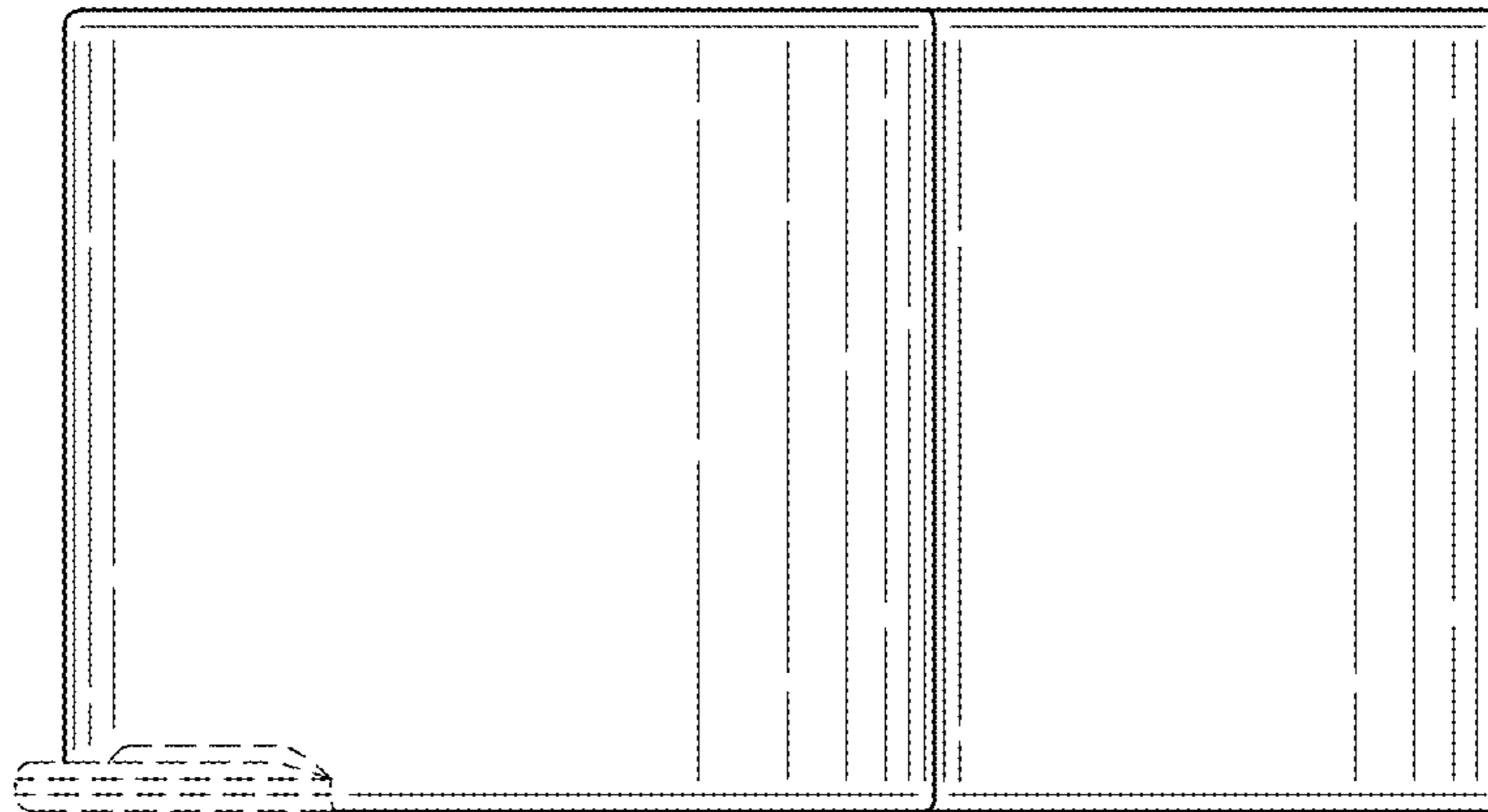
*FIG. 5*



*FIG. 6*



*FIG. 7*



*FIG. 8*