



US00D791402S

(12) **United States Design Patent** (10) **Patent No.:** **US D791,402 S**
Malhi (45) **Date of Patent:** **** Jul. 4, 2017**

(54) **CIGAR CUTTER**
(71) Applicant: **Anil Malhi**, Riverside, CA (US)
(72) Inventor: **Anil Malhi**, Riverside, CA (US)
(**) Term: **15 Years**
(21) Appl. No.: **29/547,321**
(22) Filed: **Dec. 2, 2015**
(51) **LOC (10) Cl.** **27-99**
(52) **U.S. Cl.**
USPC **D27/195**
(58) **Field of Classification Search**
USPC D8/51, 52, 57, 60; D21/684; D27/194,
D27/195, 183, 127, 189, 102, 103, 108,
D27/110, 125, 128, 129, 133, 134, 135,
D27/137, 138, 172, 173, 175, 180;
131/231, 238, 239, 240.1, 241, 242,
131/242.5, 243, 248, 253, 255; 30/112,
30/113, 111
CPC A24F 13/18; A24F 13/20; A24F 13/22;
A24F 13/24; A24F 13/26
See application file for complete search history.

D468,857 S * 1/2003 Foote D27/104
6,606,996 B1 * 8/2003 Thornell A24F 19/0085
131/231
D493,011 S * 7/2004 Foote D27/104
D551,798 S * 9/2007 McGuire D27/133
D597,250 S * 7/2009 Lee D27/195
D608,942 S * 1/2010 Hbaitu D27/195
D636,119 S * 4/2011 Worlock D27/161
D658,329 S * 4/2012 Katz D27/125
D702,876 S * 4/2014 Liu D27/194
D780,533 S * 3/2017 Seiders D7/608
D782,109 S * 3/2017 King D27/195

* cited by examiner

Primary Examiner — Eric Goodman
Assistant Examiner — Jennifer Wright
(74) *Attorney, Agent, or Firm* — Robert J. Lauson;
Lauson & Tarver LLP

(57) **CLAIM**

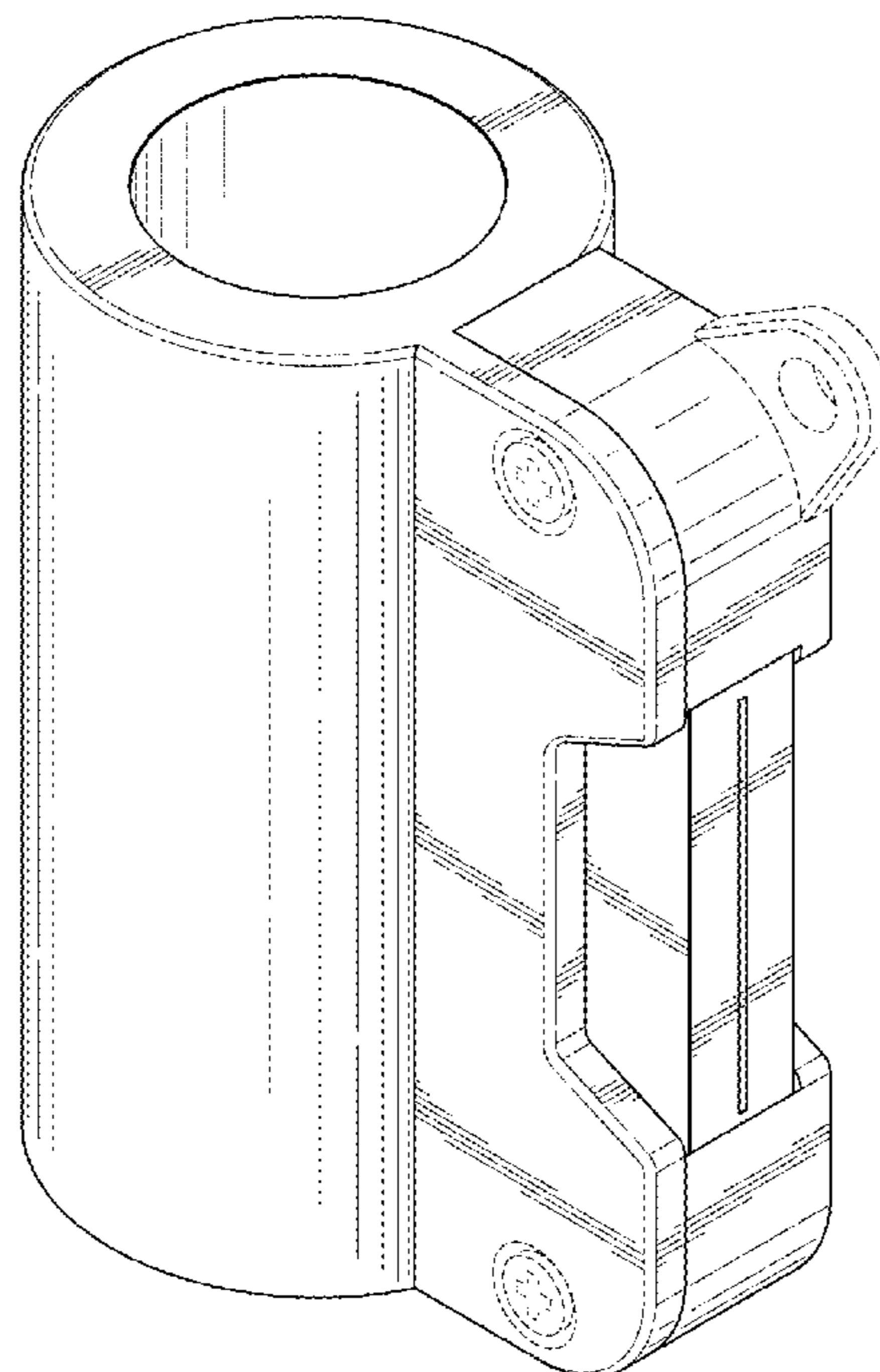
I claim the ornamental design for a cigar cutter, as shown and described.

DESCRIPTION

FIG. 1 is a perspective view of the cigar cutter
FIG. 2 is a right side view of the cigar cutter
FIG. 3 is a left side view of the cigar cutter
FIG. 4 is a front view of the cigar cutter
FIG. 5 is a rear view of the cigar cutter
FIG. 6 is a top view of the Cigar Cutter; and,
FIG. 7 is a bottom view of the cigar cutter.
The broken lines shown are included for the purpose of illustrating portions of the cigar cutter that form no part of the claim.

1 Claim, 3 Drawing Sheets

(56) **References Cited**
U.S. PATENT DOCUMENTS
D370,300 S * 5/1996 Gottvald D27/172
D399,025 S * 9/1998 Whitlock D27/134
D414,893 S * 10/1999 Moore D27/194
D417,525 S * 12/1999 Brushett D27/195
D429,027 S * 8/2000 Song D27/142
D452,750 S * 1/2002 Habibi D27/138
D455,225 S * 4/2002 Whitlock D27/133



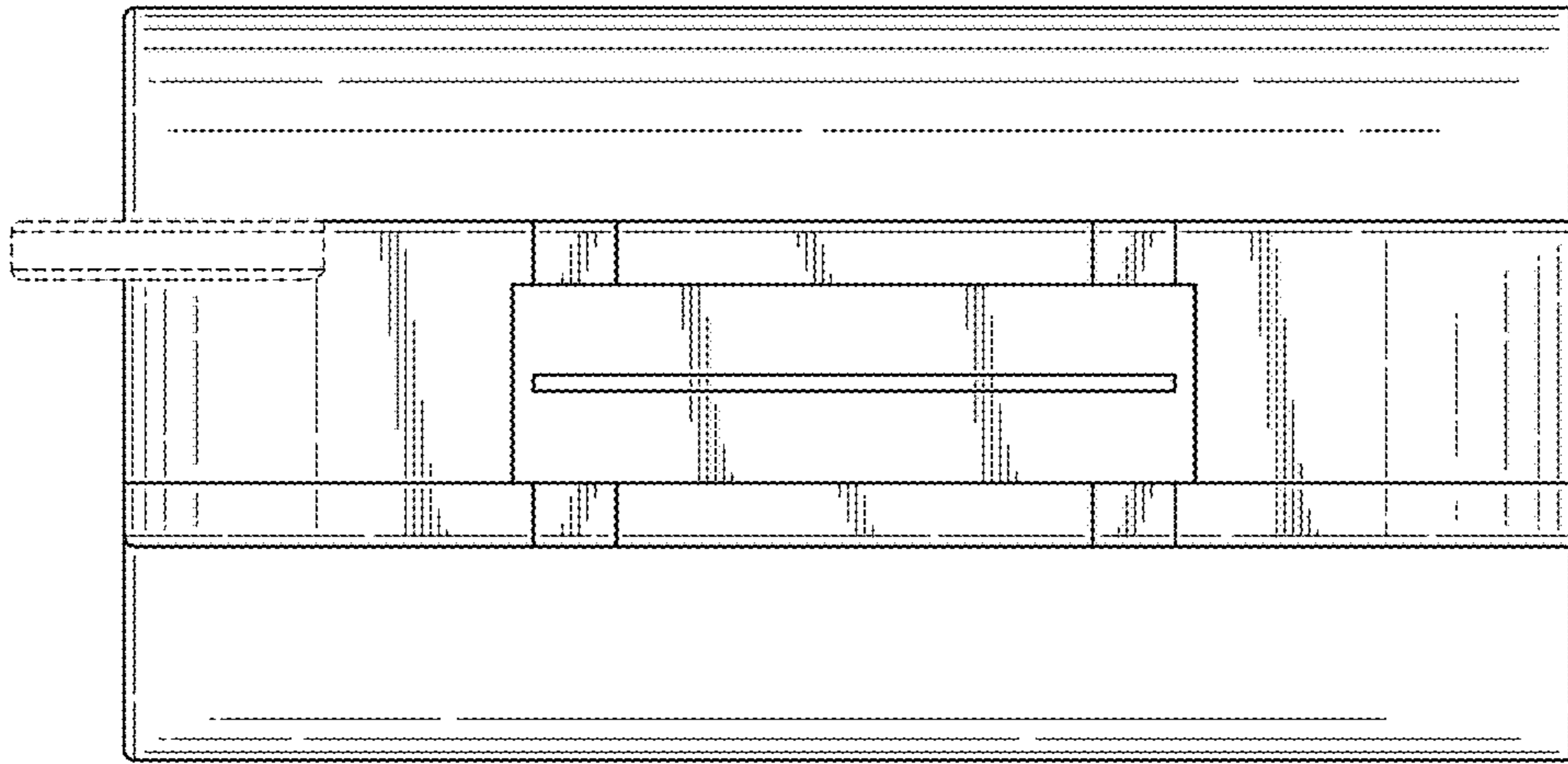


FIG. 2

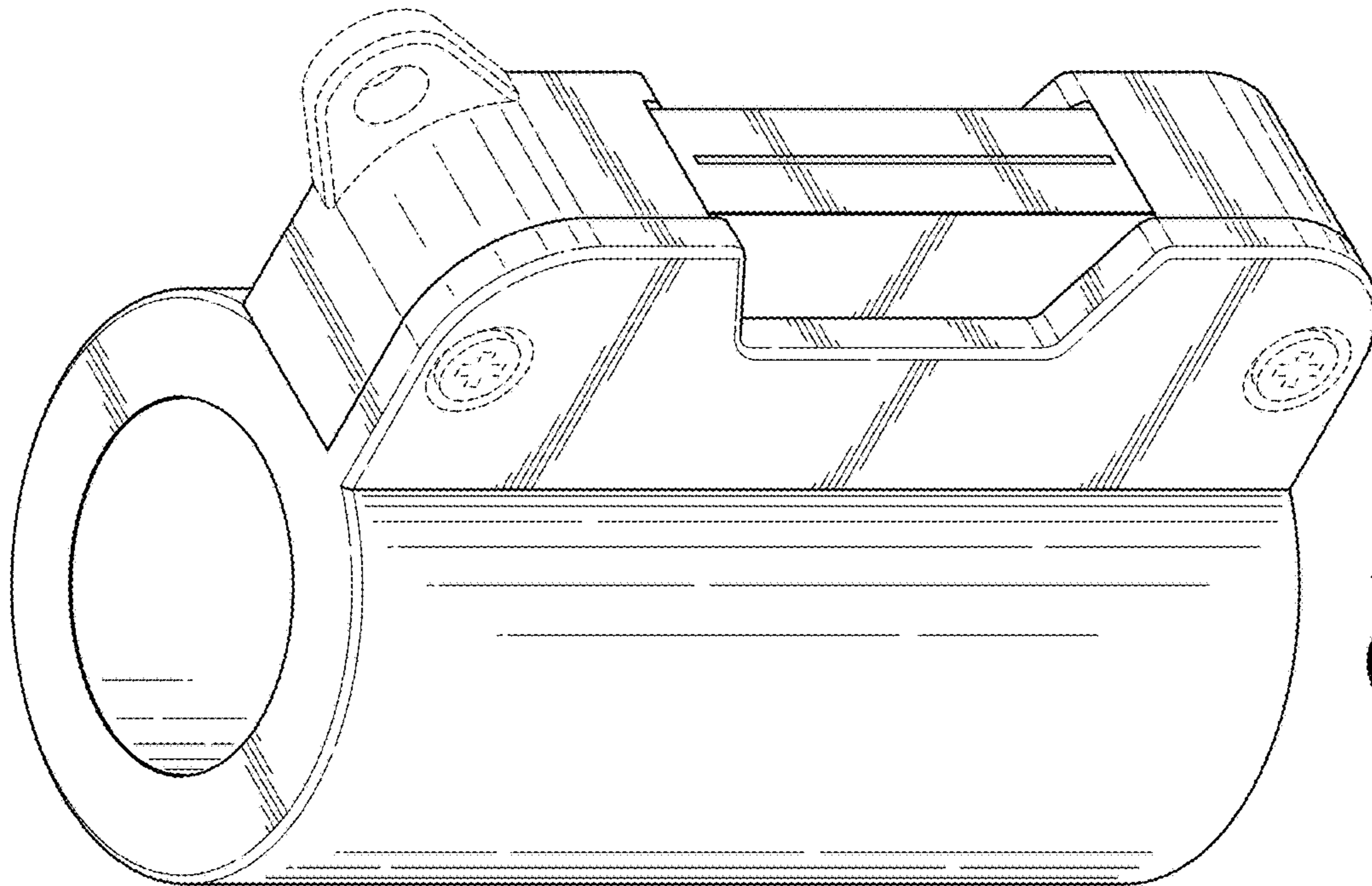


FIG. 1

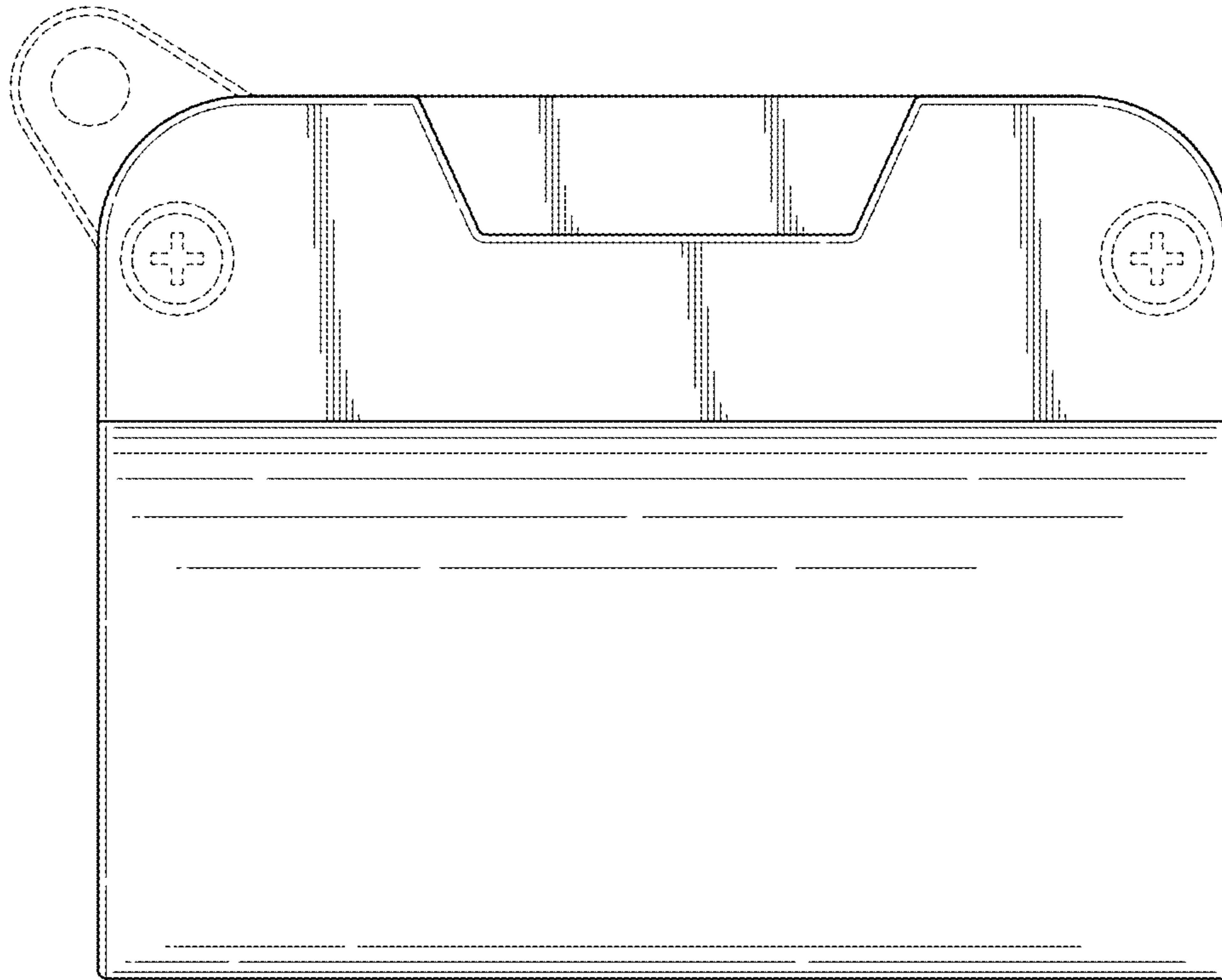


FIG. 4

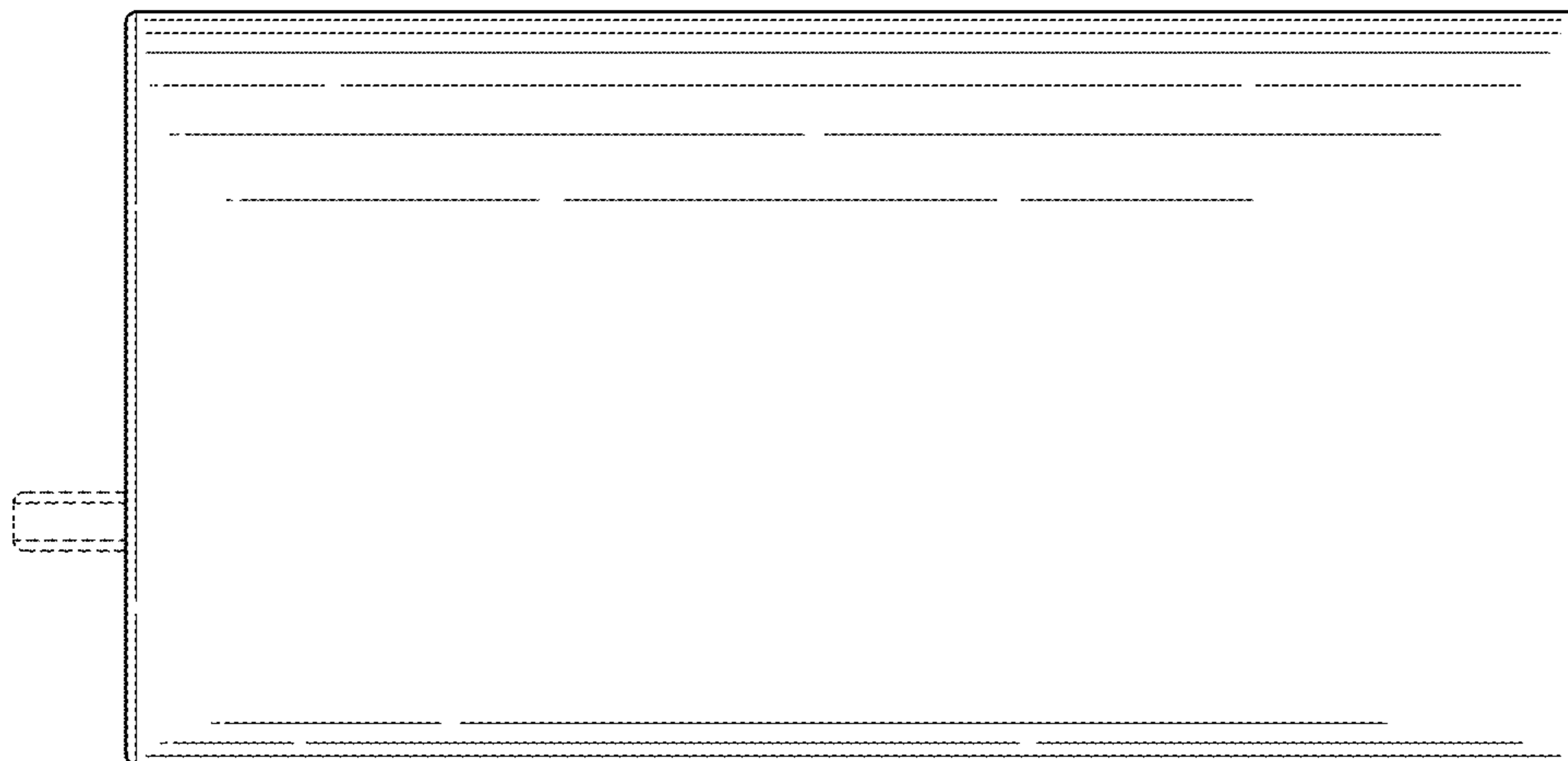


FIG. 3

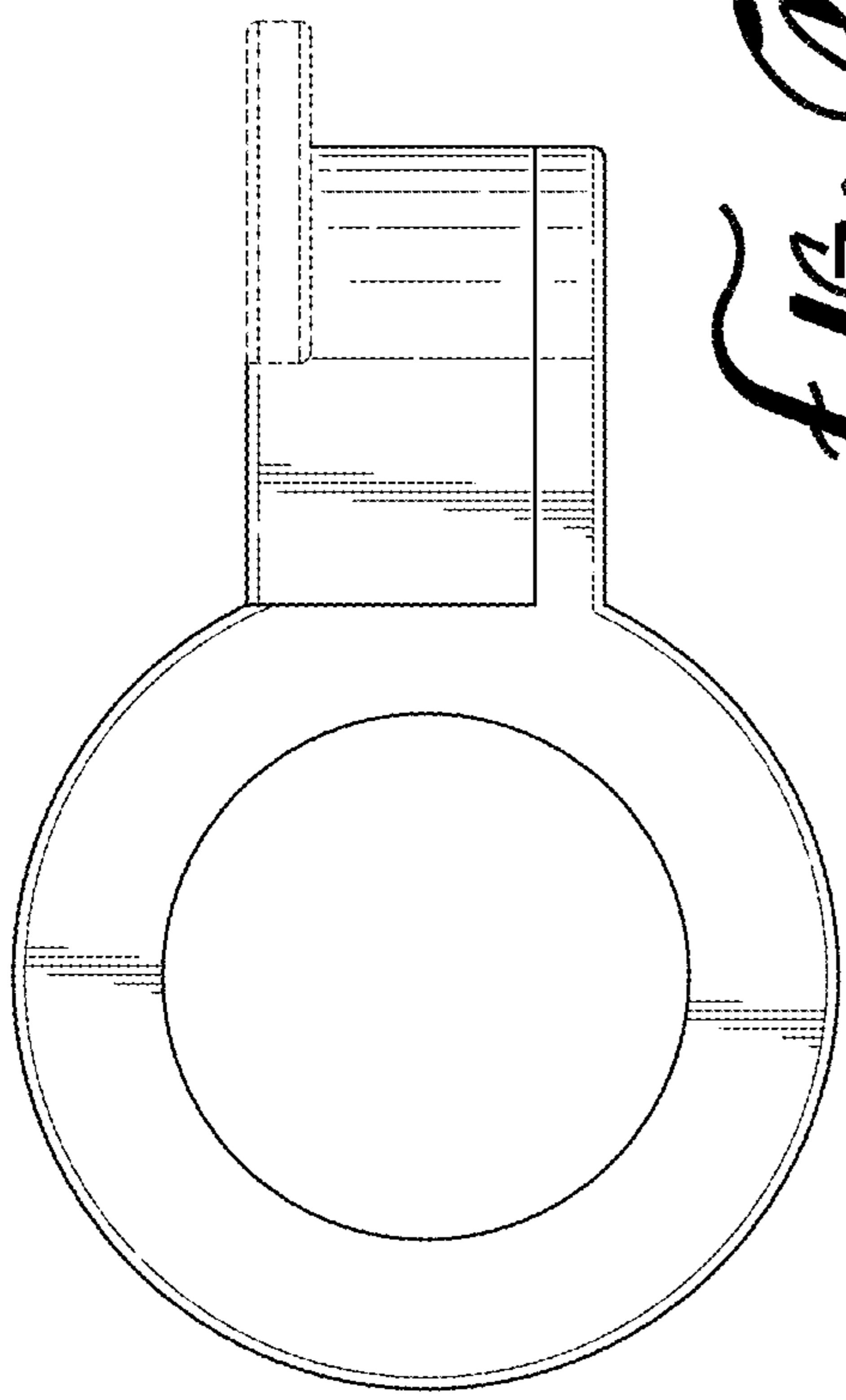


Fig. 1

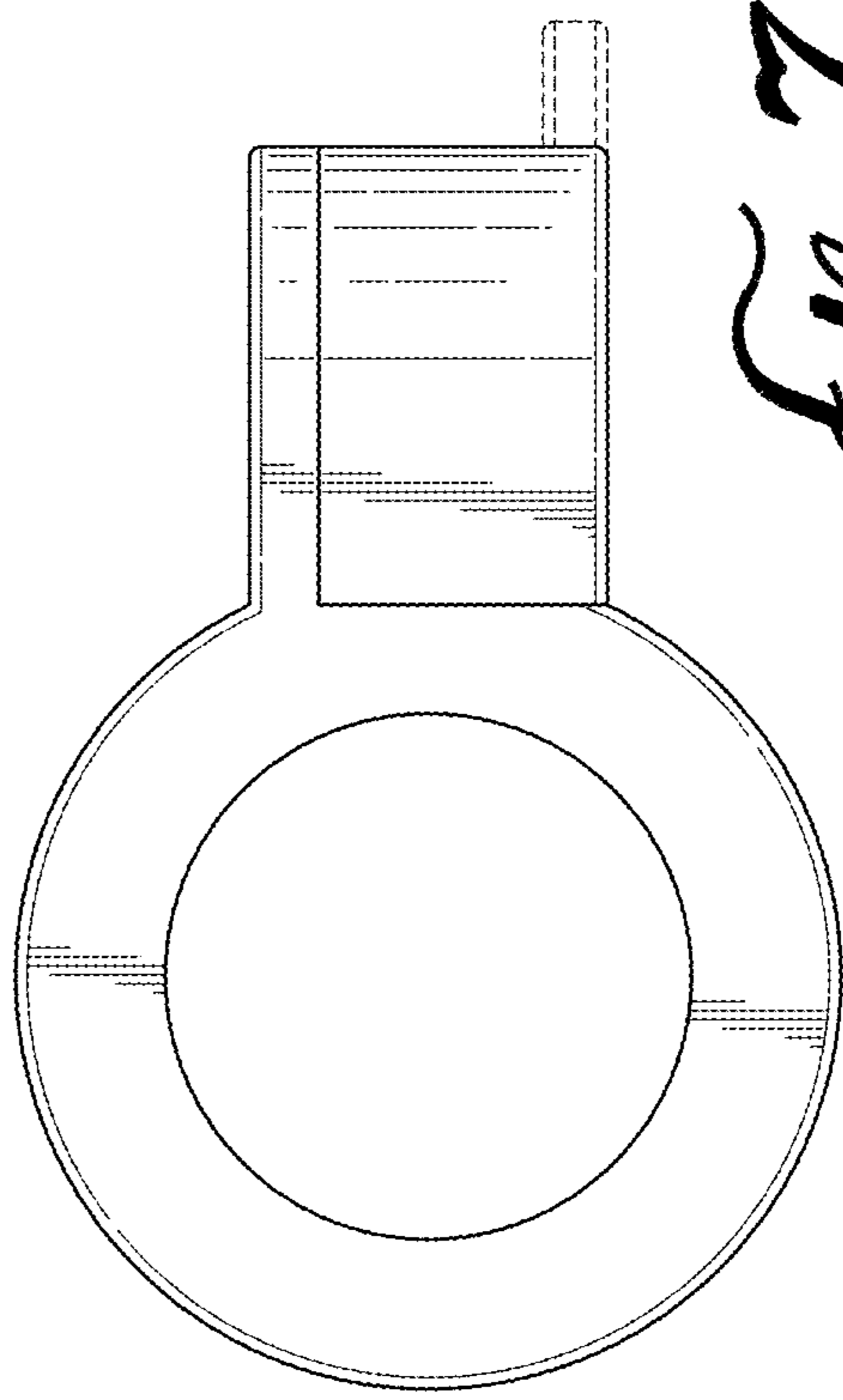


Fig. 2

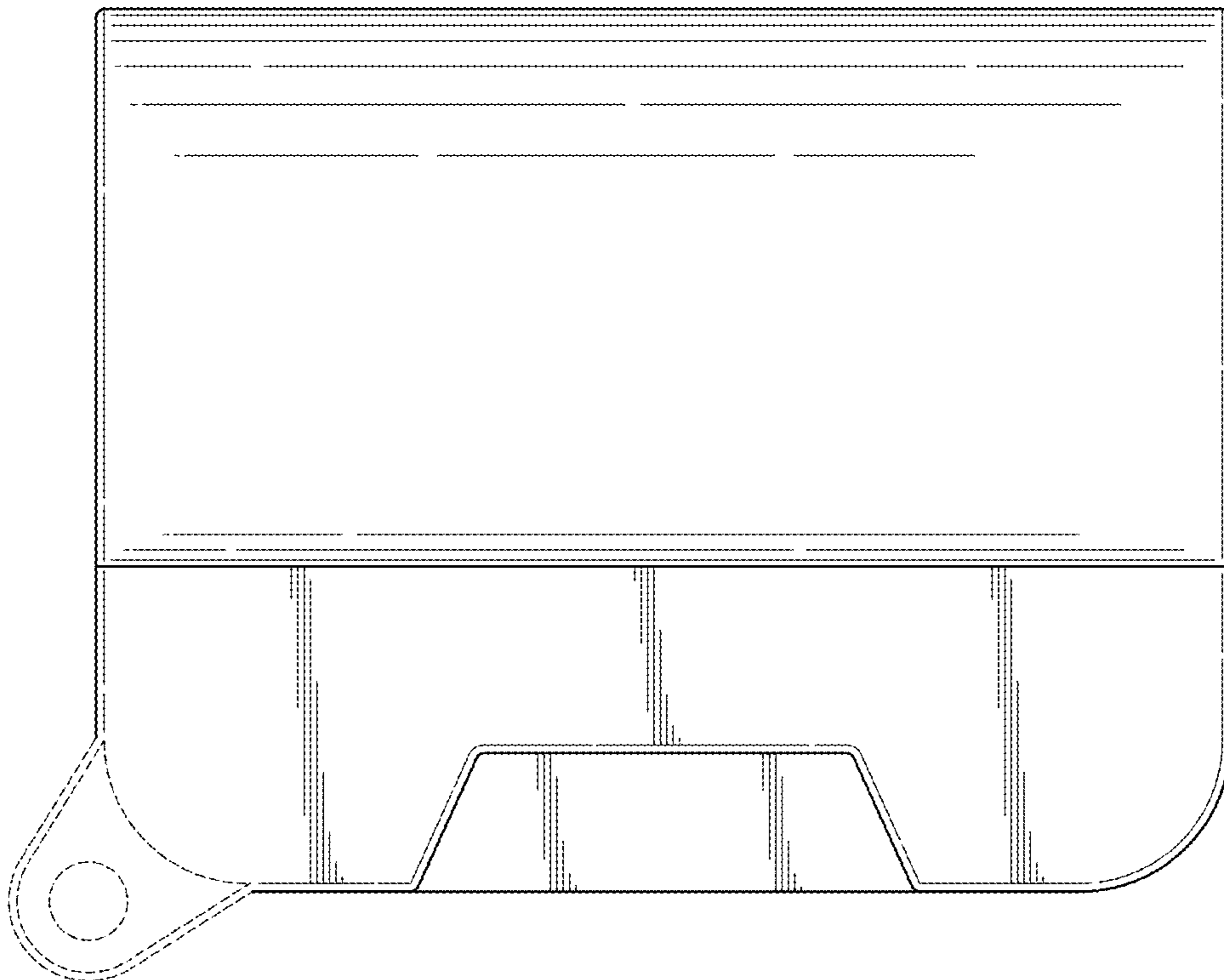


Fig. 3