



US00D791400S

(12) **United States Design Patent** (10) **Patent No.:** **US D791,400 S**
Sonneman (45) **Date of Patent:** **** Jul. 4, 2017**

(54) **HANGER FOR COUPLING TWO POWER BARS**

(71) Applicant: **Robert A. Sonneman**, Mamaroneck, NY (US)

(72) Inventor: **Robert A. Sonneman**, Mamaroneck, NY (US)

(**) Term: **15 Years**

(21) Appl. No.: **29/587,568**

(22) Filed: **Dec. 14, 2016**

(51) **LOC (10) Cl.** **26-99**

(52) **U.S. Cl.**
USPC **D26/138**

(58) **Field of Classification Search**

USPC D26/76, 78, 79, 80, 81, 82, 83, 85, 86, D26/88, 90, 113, 118, 119, 120, 121, 122, D26/138, 139, 140, 141, 142, 145
CPC F21S 2/00; F21S 4/00; F21S 4/003; F21S 4/005; F21S 4/006; F21S 4/007; F21S 4/008; F21S 6/00; F21S 8/00; F21S 8/024; F21S 8/026; F21S 8/031; F21S 8/033; F21S 8/035-8/037; F21S 8/04; F21S 8/043; F21S 8/063

See application file for complete search history.

(56) **References Cited**

U.S. PATENT DOCUMENTS

| | | | | | | |
|-----------|---|---|---------|--------------|-------|-----------------------|
| 2,292,395 | A | * | 8/1942 | O'Brien | | H01R 31/00 174/101 |
| D301,304 | S | * | 5/1989 | Will | | D25/119 |
| D611,169 | S | * | 3/2010 | Harder | | D25/122 |
| D632,423 | S | * | 2/2011 | Canfield | | D26/138 |
| D649,692 | S | * | 11/2011 | Trzesniowski | | D26/138 |
| D747,636 | S | * | 1/2016 | Maher | | D8/72 |
| D779,713 | S | * | 2/2017 | Sonneman | | D26/138 |
| D779,714 | S | * | 2/2017 | Sonneman | | D26/138 |
| D779,715 | S | * | 2/2017 | Sonneman | | D26/138 |

* cited by examiner

Primary Examiner — George D Kirschbaum

Assistant Examiner — Natasha Vujcic

(74) *Attorney, Agent, or Firm* — Gottlieb, Rackman & Reisman, P.C.

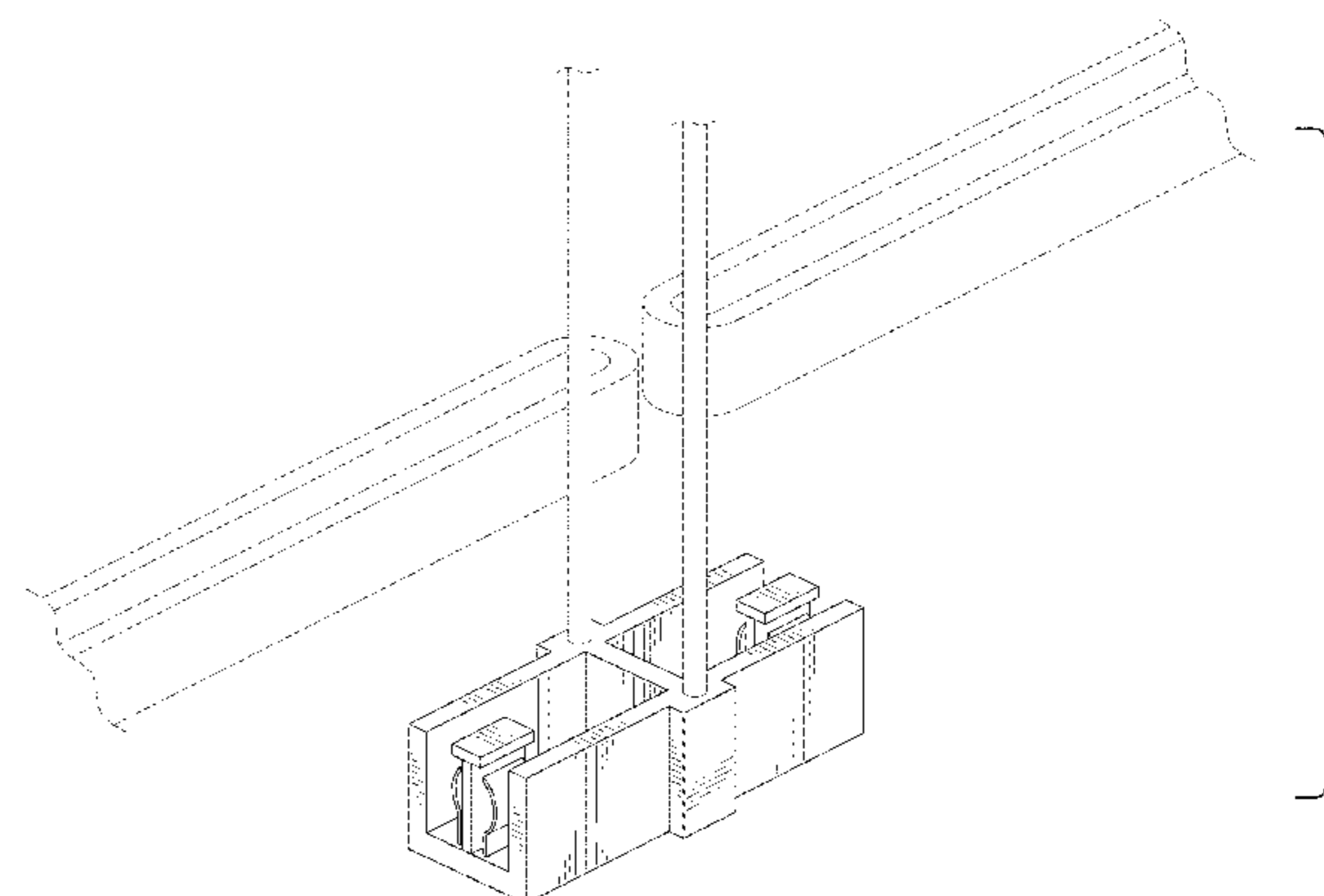
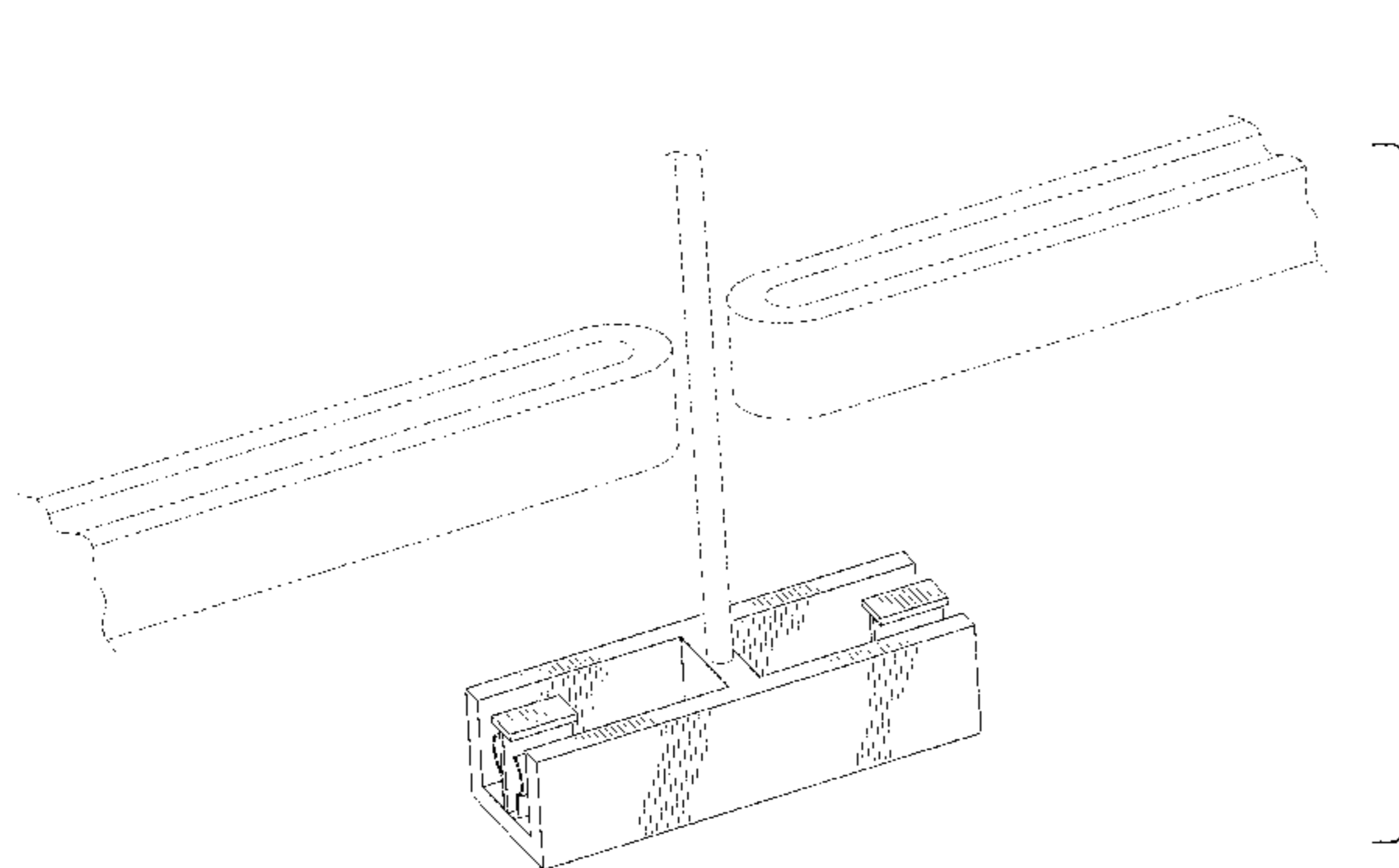
(57) **CLAIM**

The ornamental design for a hanger for coupling two power bars, as shown and described.

DESCRIPTION

FIG. 1 is a perspective view of the hanger for coupling two power bars showing my new design;
FIG. 2 is a top plan thereof;
FIG. 3 is a bottom plan view thereof;
FIG. 4 is a front elevational view thereof, the rear elevational view being a mirror image;
FIG. 5 is a right side elevational view, the left side elevational view being a mirror image;
FIG. 6 is a perspective view thereof showing the power bars being coupled;
FIG. 7 is a perspective view of a second embodiment of my new design;
FIG. 8 is a top plan thereof;
FIG. 9 is a bottom plan view thereof;
FIG. 10 is a front elevational view thereof, the rear elevational view being a mirror image;
FIG. 11 is a right side elevational view, the left side elevational view being a mirror image; and,
FIG. 12 is a perspective view thereof showing the power bars being coupled.
The broken lines shown in the drawings are included for the purpose of illustrating portions of the article that form no part of the claimed design.

1 Claim, 12 Drawing Sheets



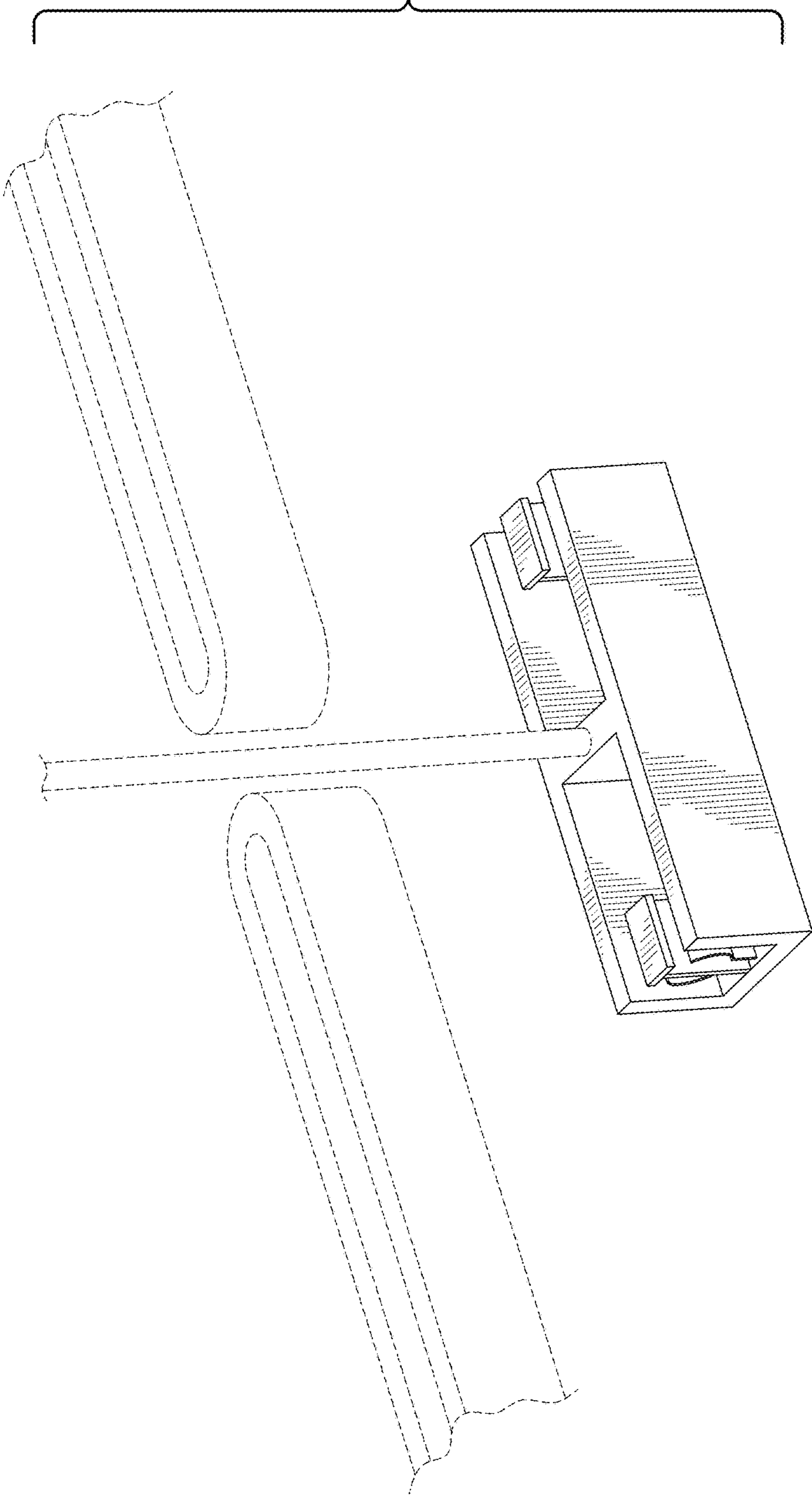


FIG. 1

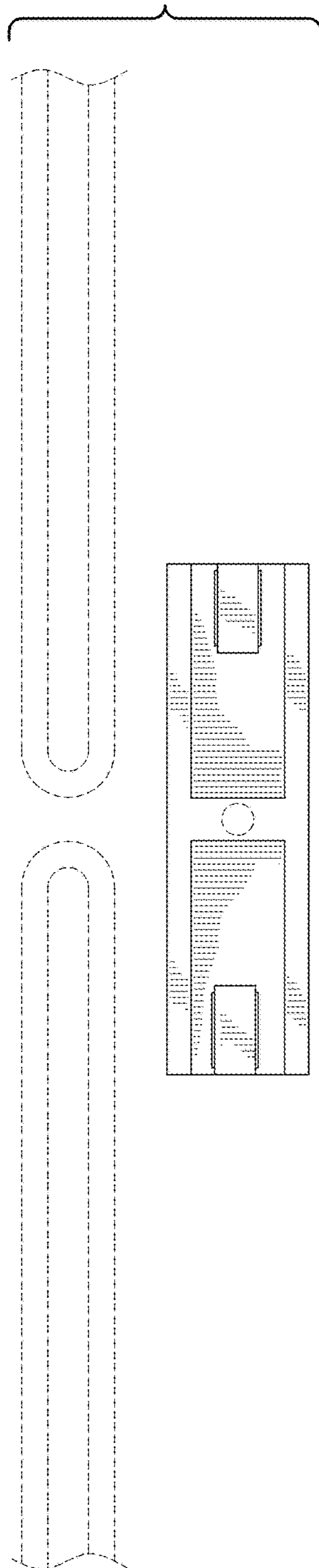


FIG. 2

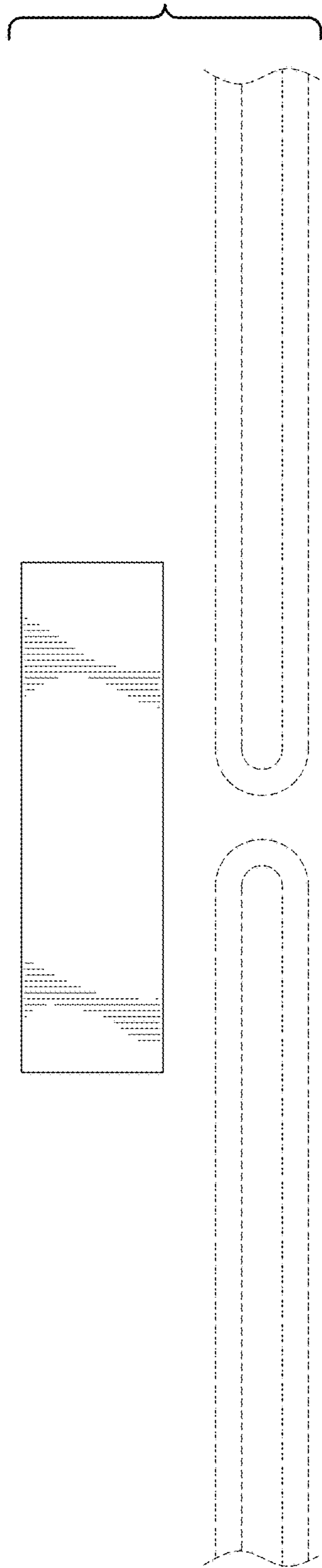


FIG. 3

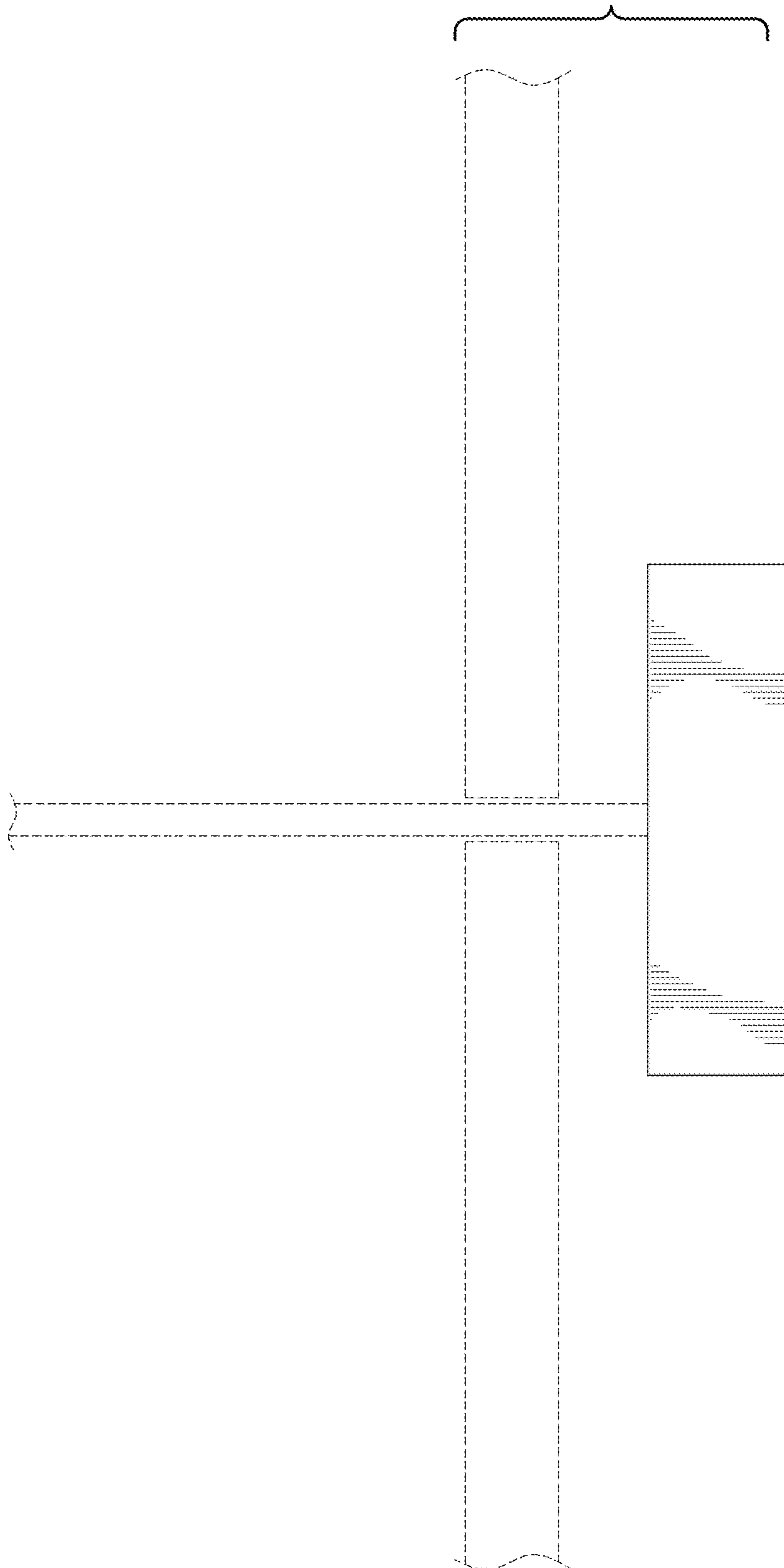


FIG.4

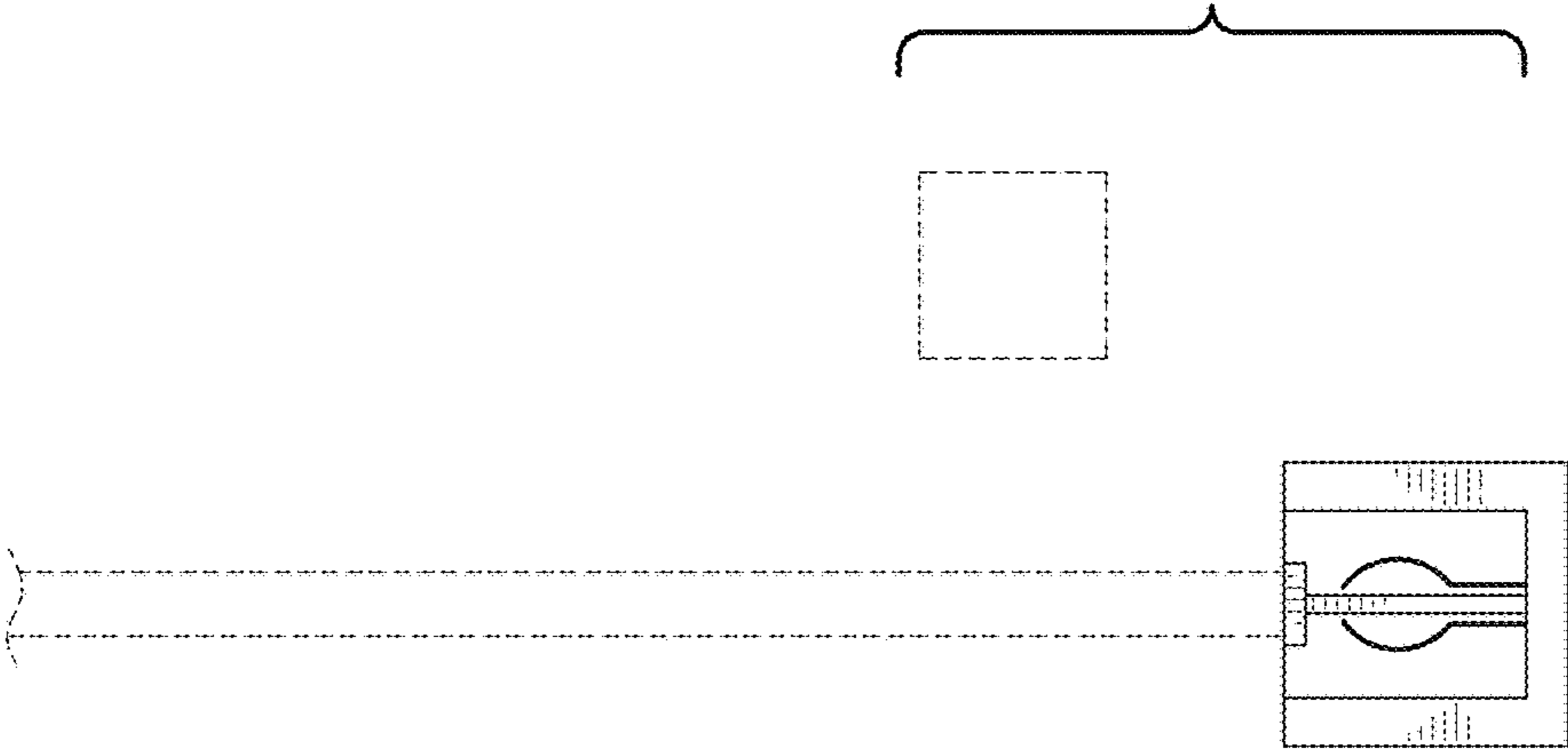


FIG. 5

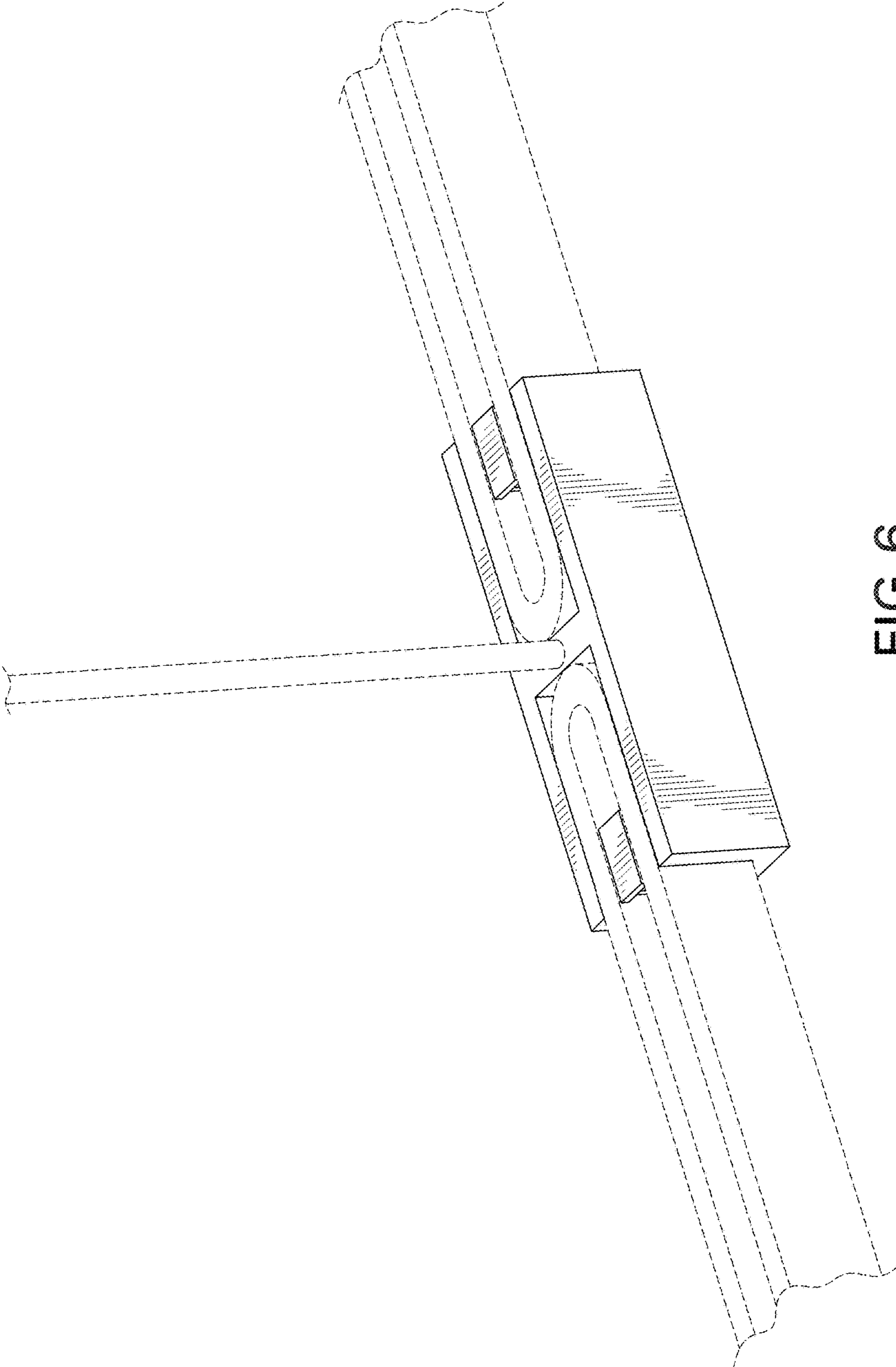


FIG. 6

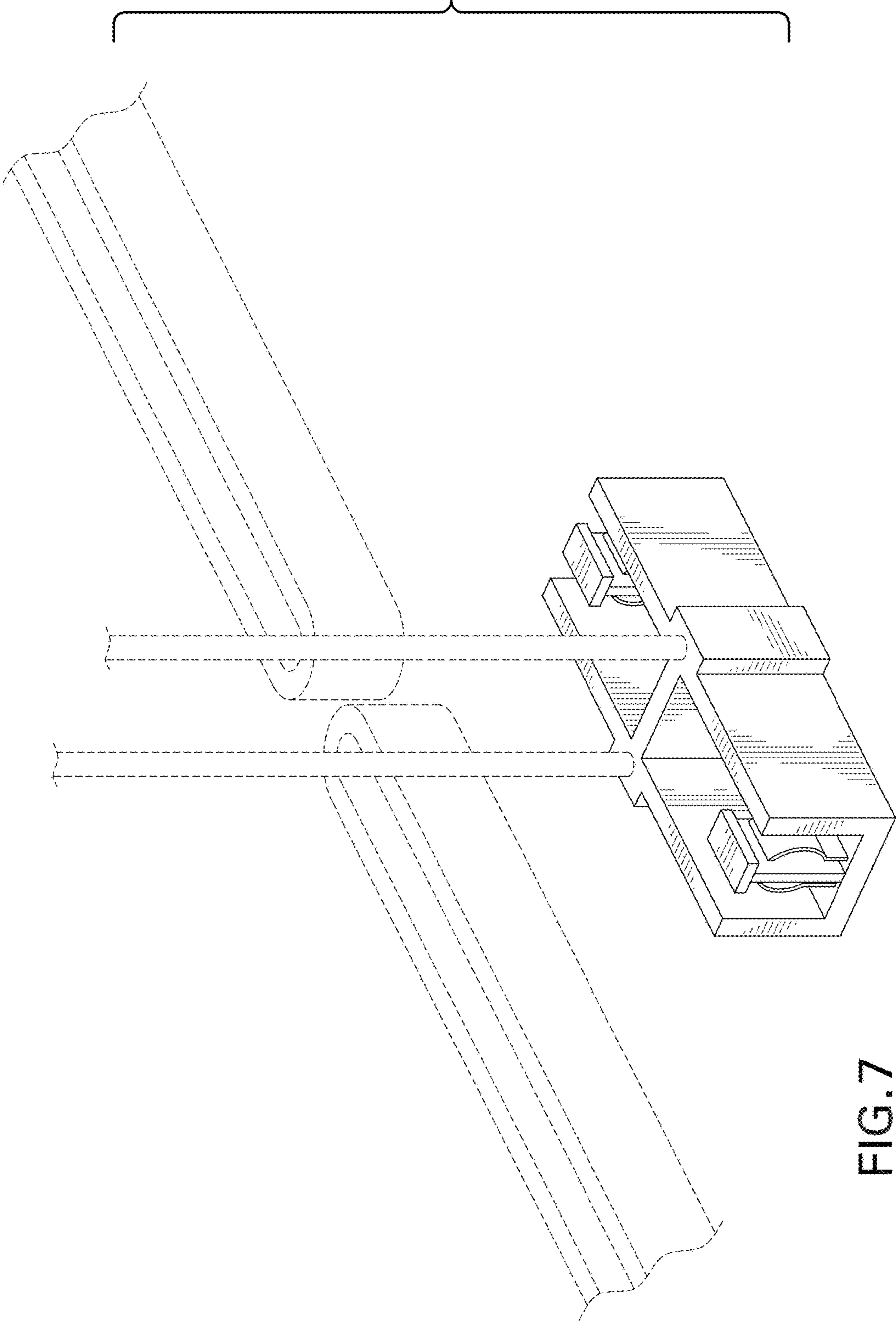


FIG. 7

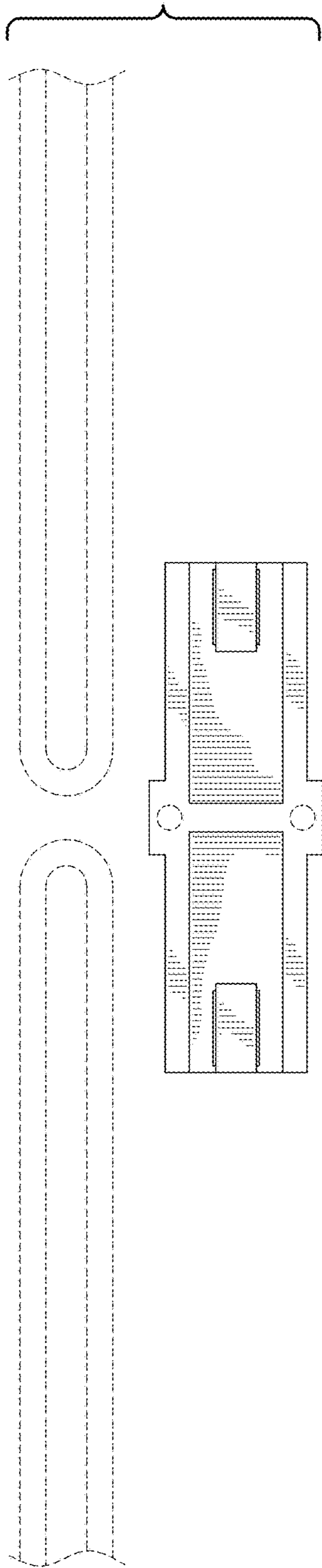


FIG. 8

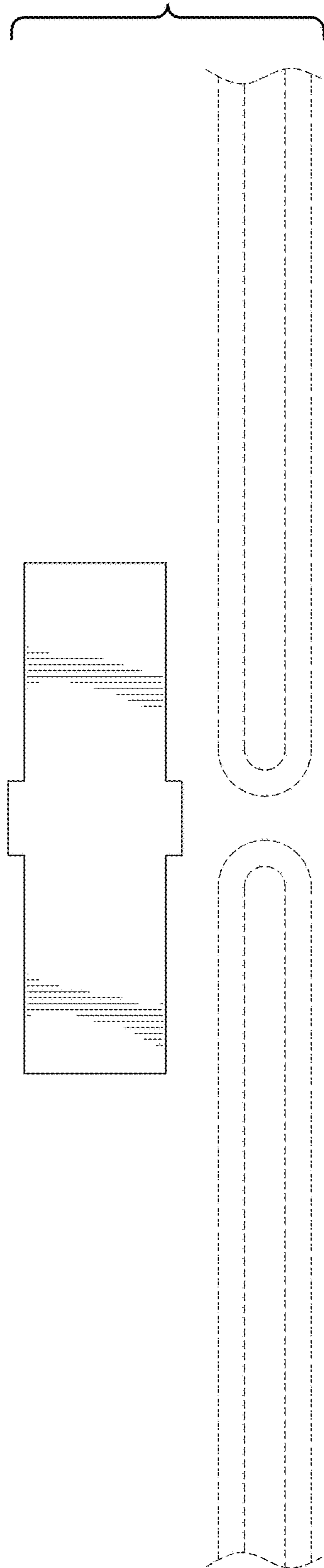


FIG. 9

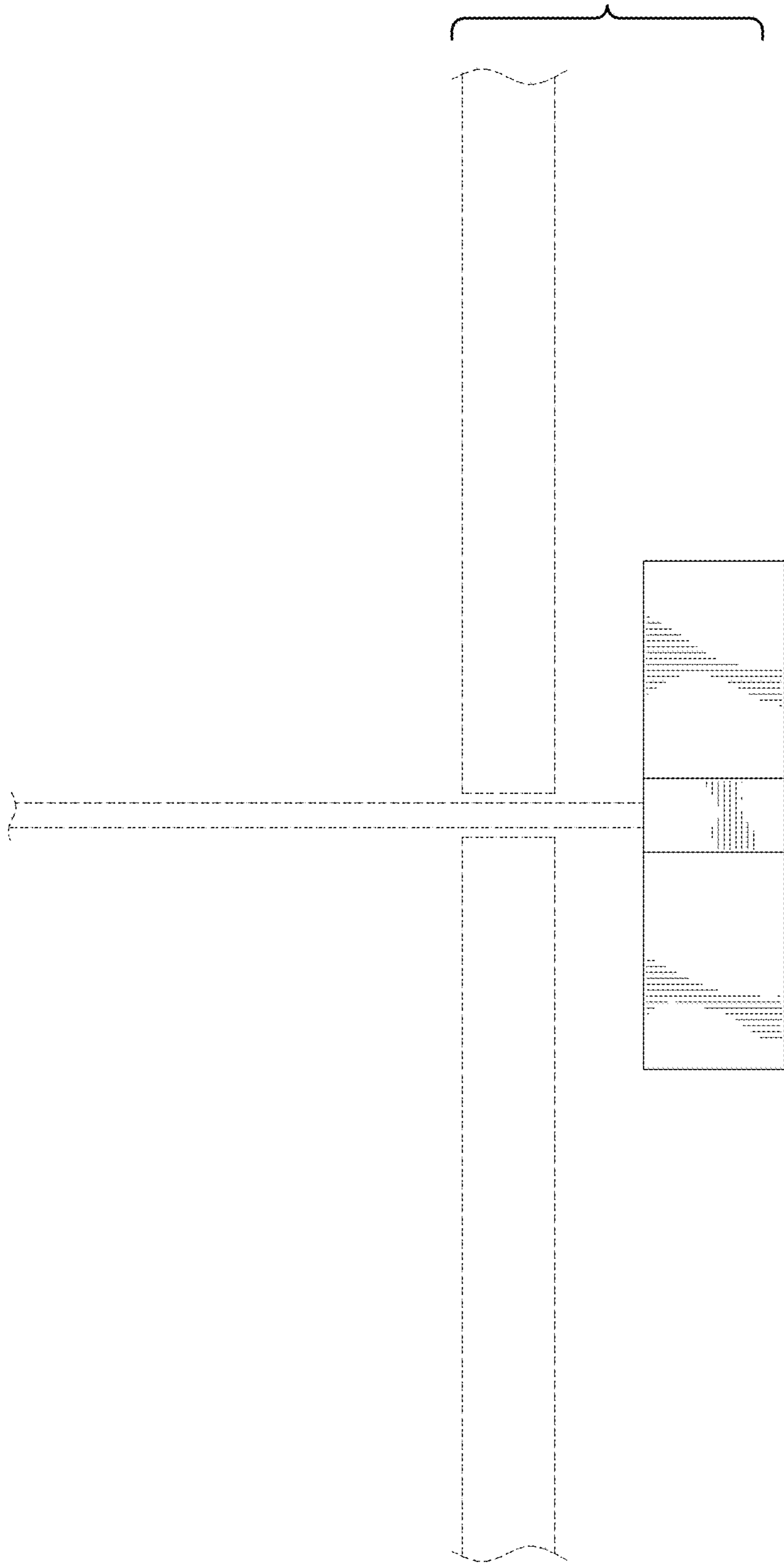


FIG. 10

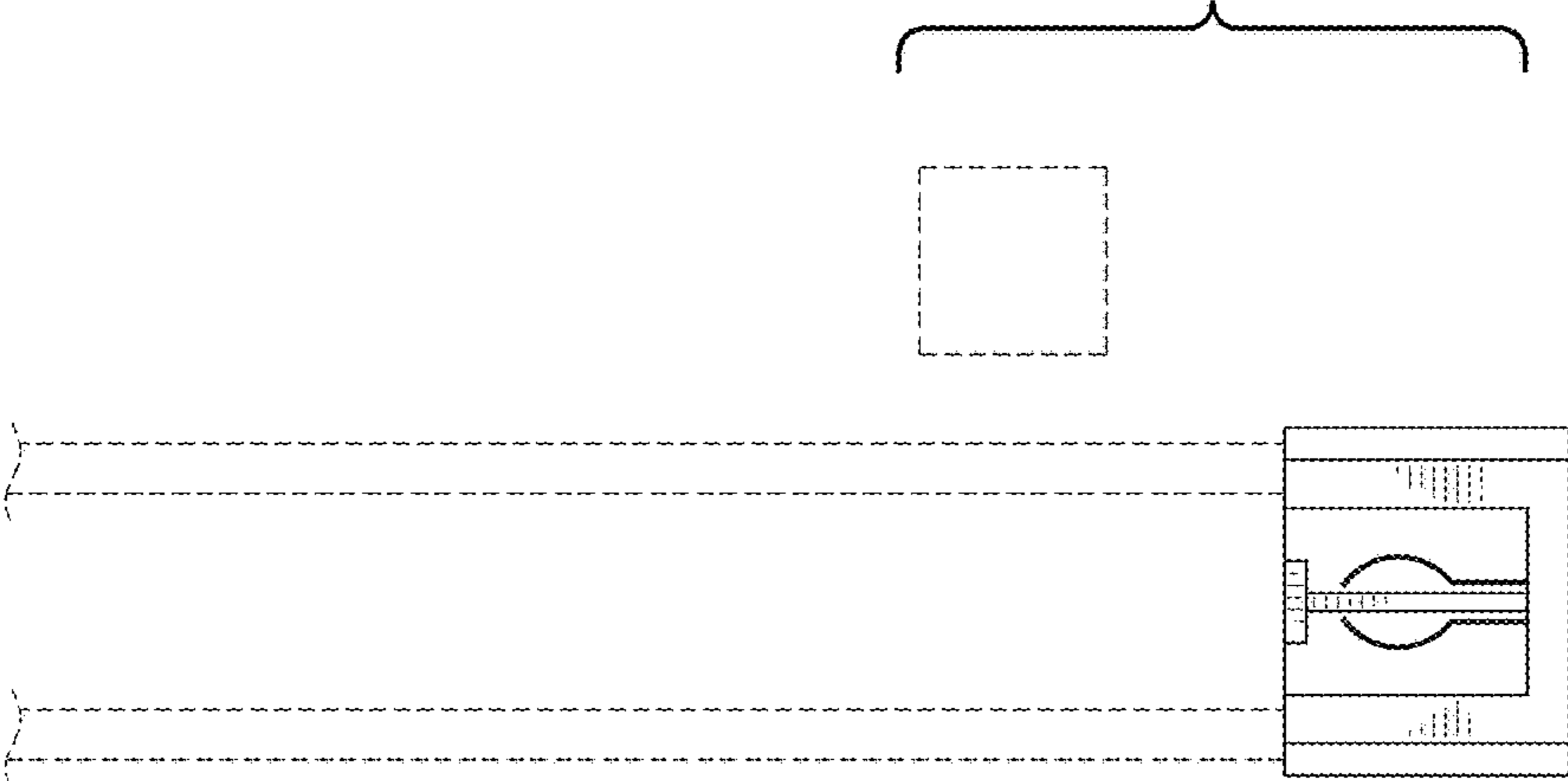


FIG.11

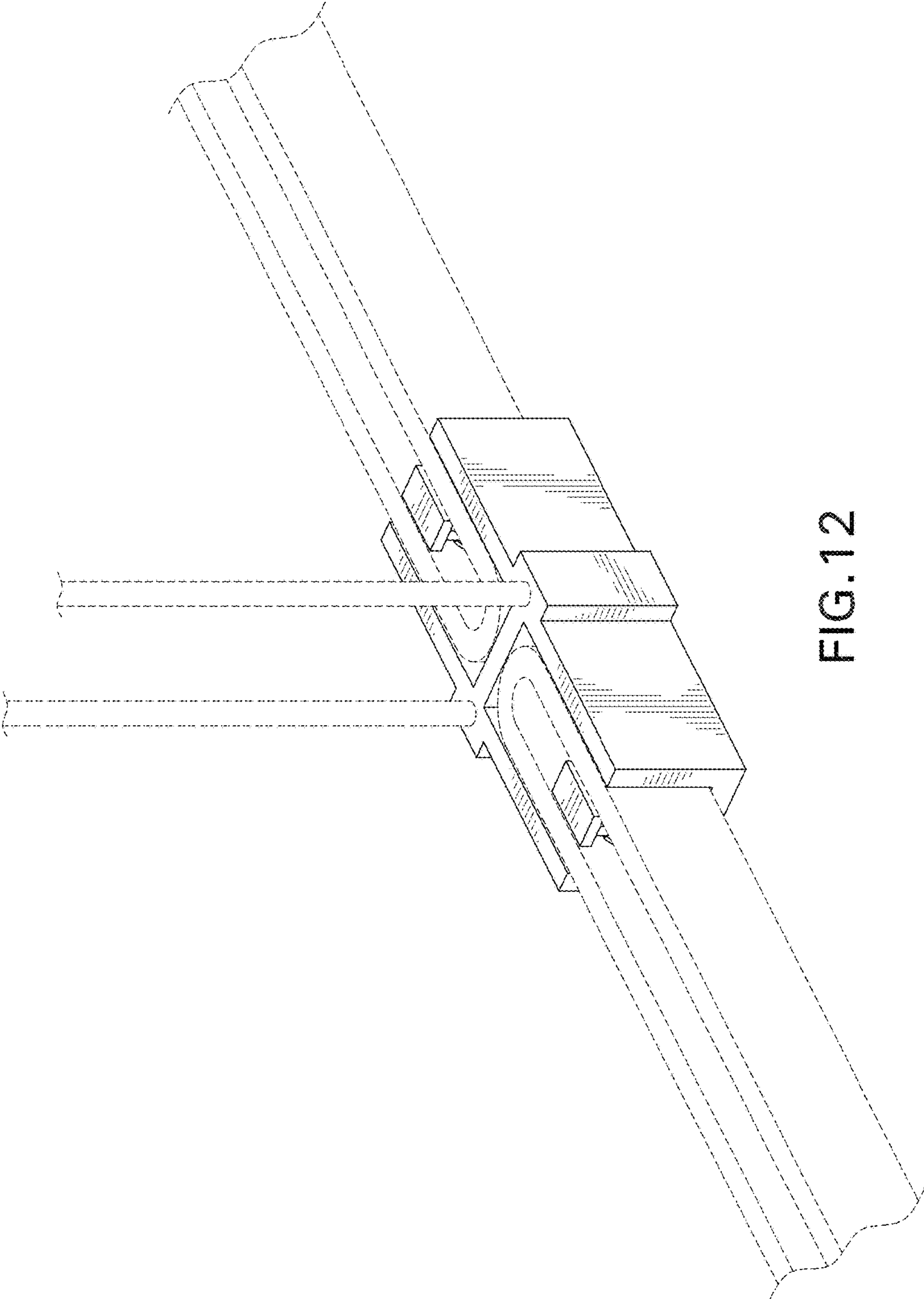


FIG.12