



US00D791399S

(12) **United States Design Patent**
Sonneman

(10) **Patent No.:** **US D791,399 S**

(45) **Date of Patent:** **** Jul. 4, 2017**

(54) **LIGHT FIXTURE WITH A DUAL DIFFUSER**

(71) Applicant: **Robert A. Sonneman**, Mamaroneck,
NY (US)

(72) Inventor: **Robert A. Sonneman**, Mamaroneck,
NY (US)

(**) Term: **15 Years**

(21) Appl. No.: **29/587,403**

(22) Filed: **Dec. 13, 2016**

(51) **LOC (10) Cl.** **26-99**

(52) **U.S. Cl.**
USPC **D26/138**

(58) **Field of Classification Search**

USPC D26/76, 78, 79, 80, 81, 82, 83, 85, 86,
D26/88, 90, 113, 118, 119, 120, 121, 122,
D26/138, 139, 140, 141, 142
CPC F21S 2/00; F21S 4/00; F21S 4/003; F21S
4/005; F21S 4/006; F21S 4/007; F21S
4/008; F21S 6/00; F21S 8/00; F21S
8/024; F21S 8/026; F21S 8/031; F21S
8/033; F21S 8/035-8/037; F21S 8/04;
F21S 8/043; F21S 8/063
See application file for complete search history.

(56) **References Cited**

U.S. PATENT DOCUMENTS

D202,808 S * 11/1965 Dailey D26/67
D317,058 S * 5/1991 Sonneman D26/92

D488,579 S * 4/2004 Painter D26/92
D554,796 S * 11/2007 Noh D26/138
D678,589 S * 3/2013 Crosby D26/85
D771,861 S * 11/2016 Wu D26/138
D779,713 S * 2/2017 Sonneman D26/138

* cited by examiner

Primary Examiner — George D Kirschbaum

Assistant Examiner — Natasha Vujcic

(74) *Attorney, Agent, or Firm* — Gottlieb, Rackman &
Reisman, P.C.

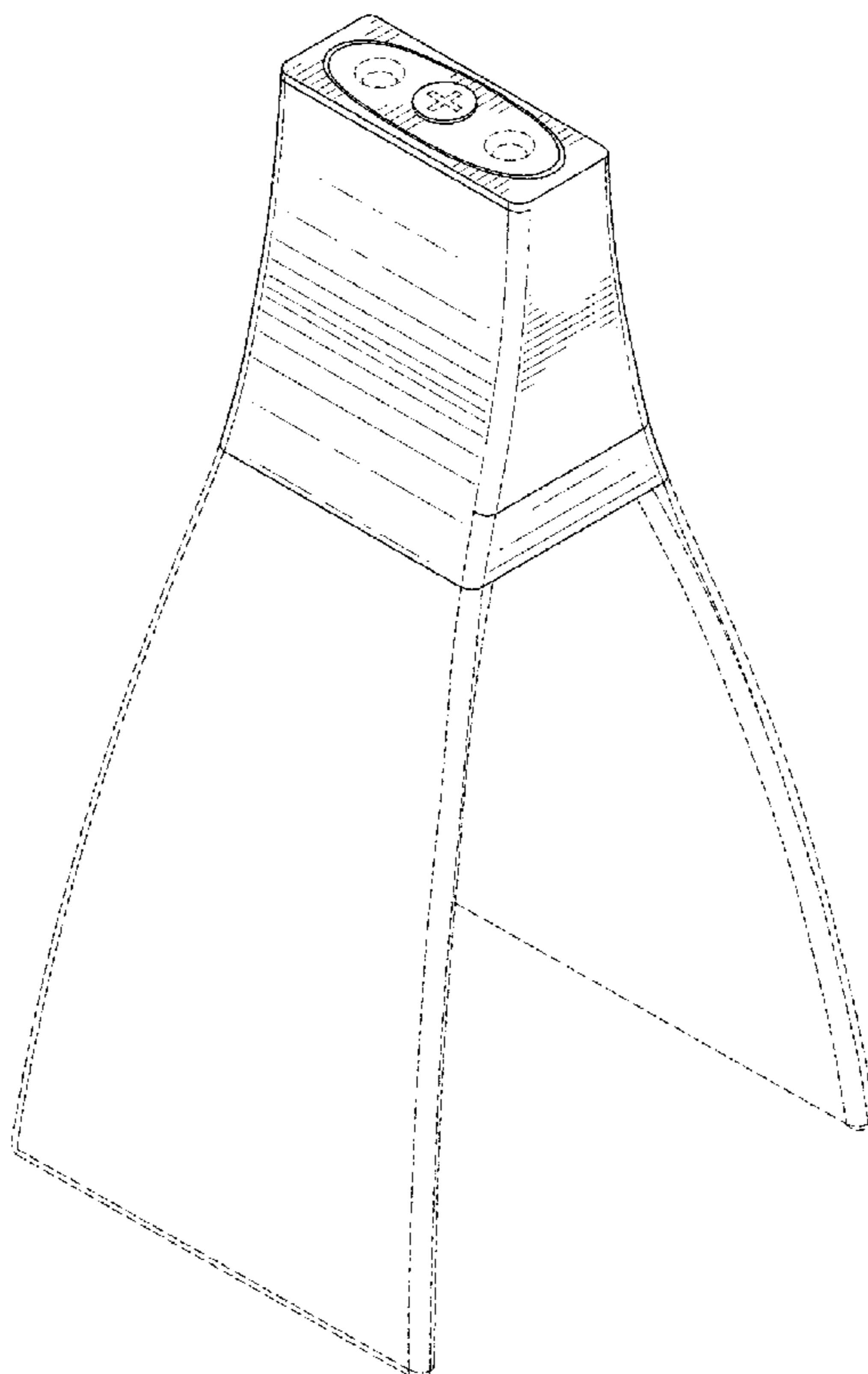
(57) **CLAIM**

The ornamental design for a light fixture with a dual diffuser,
as shown and described.

DESCRIPTION

FIG. 1 is a perspective view of the light fixture with a dual
diffuser showing my new design;
FIG. 2 is a top plan thereof;
FIG. 3 is a bottom plan view thereof;
FIG. 4 is a right side elevational view thereof, the left side
elevational view being a mirror image; and,
FIG. 5 is a front elevational view thereof, the rear elevational
view being a mirror image.
The broken lines shown in the drawings are included for the
purpose of illustrating portions of the article that form no
part of the claimed design.

1 Claim, 5 Drawing Sheets



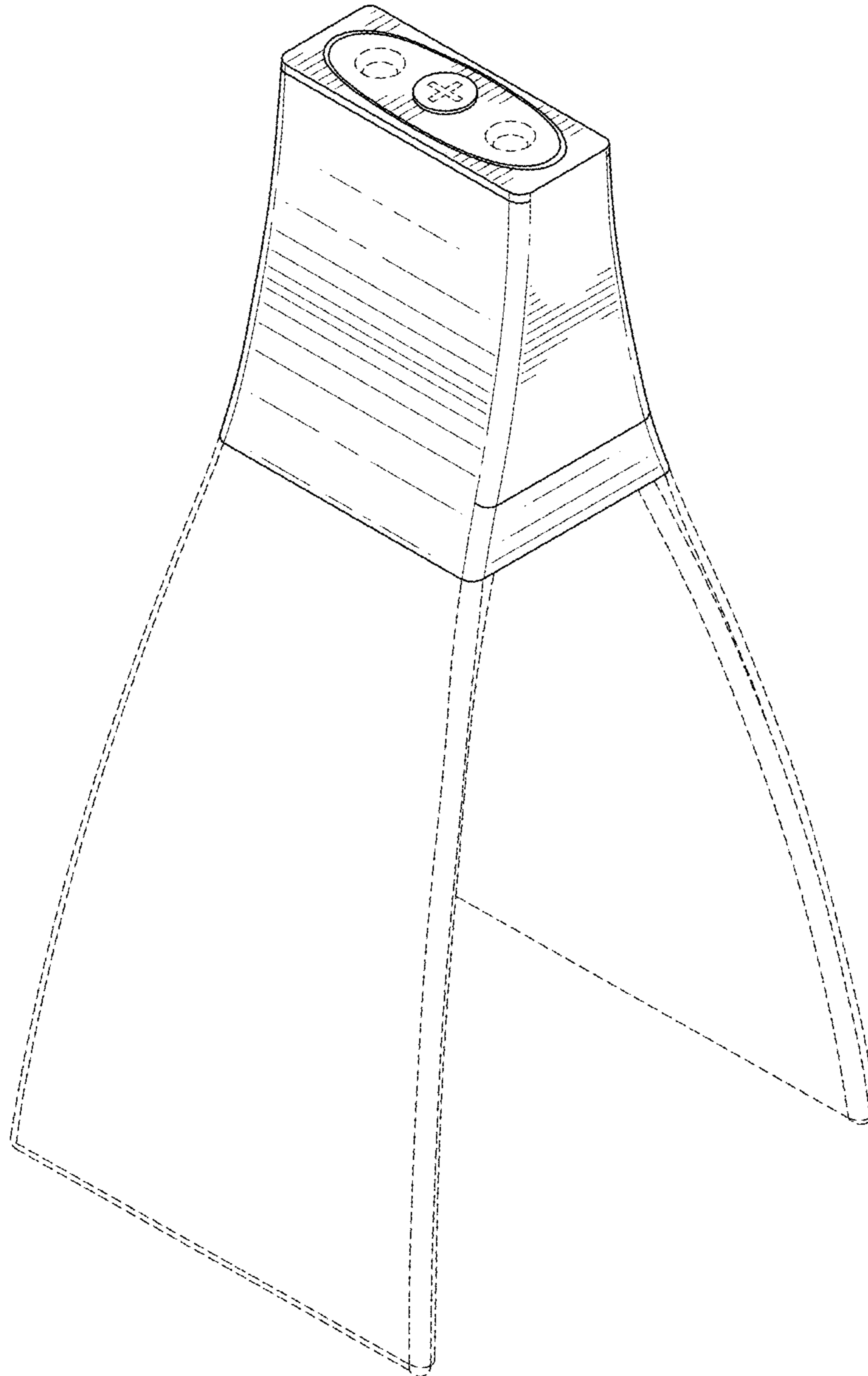


FIG. 1

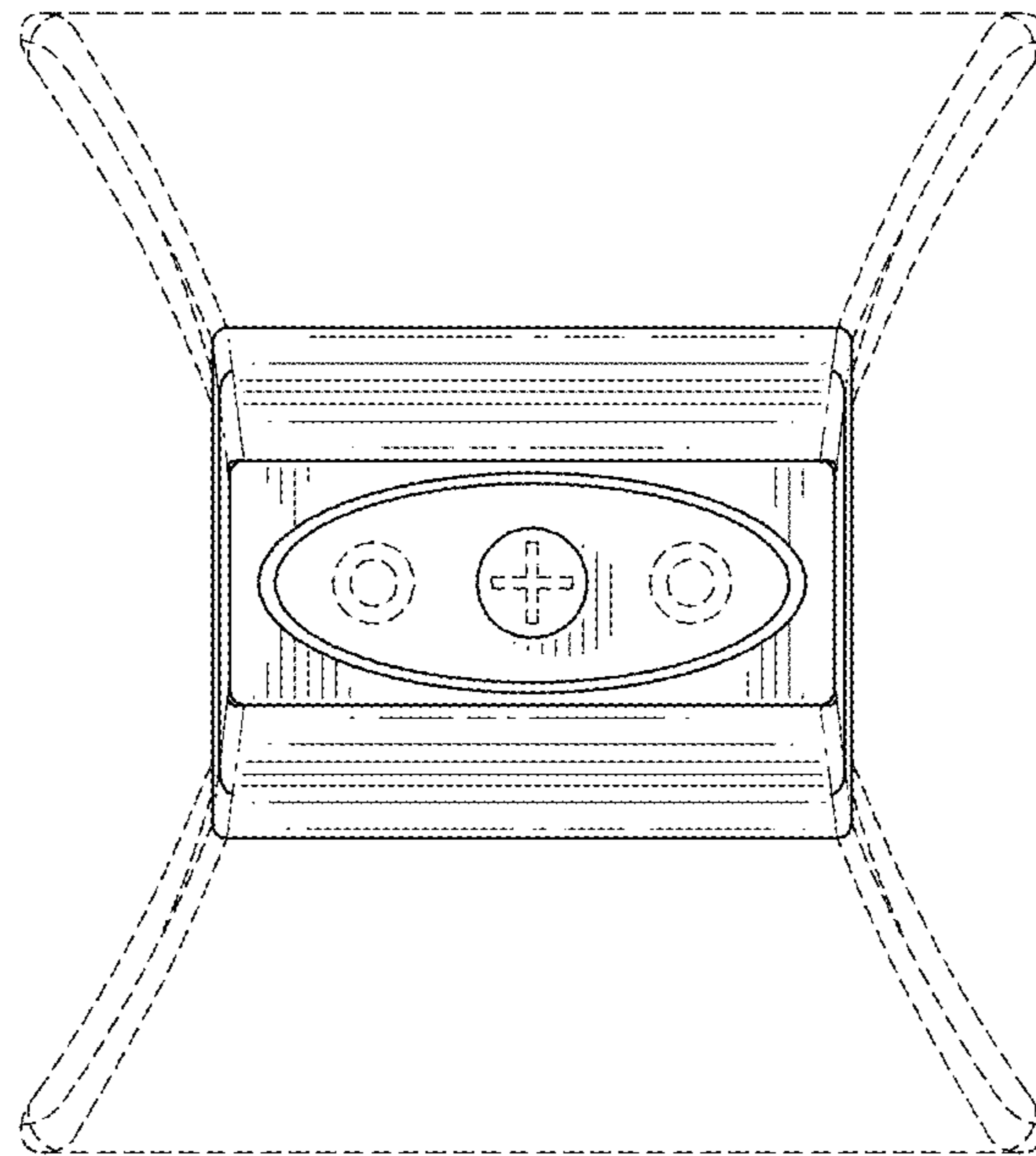


FIG. 2

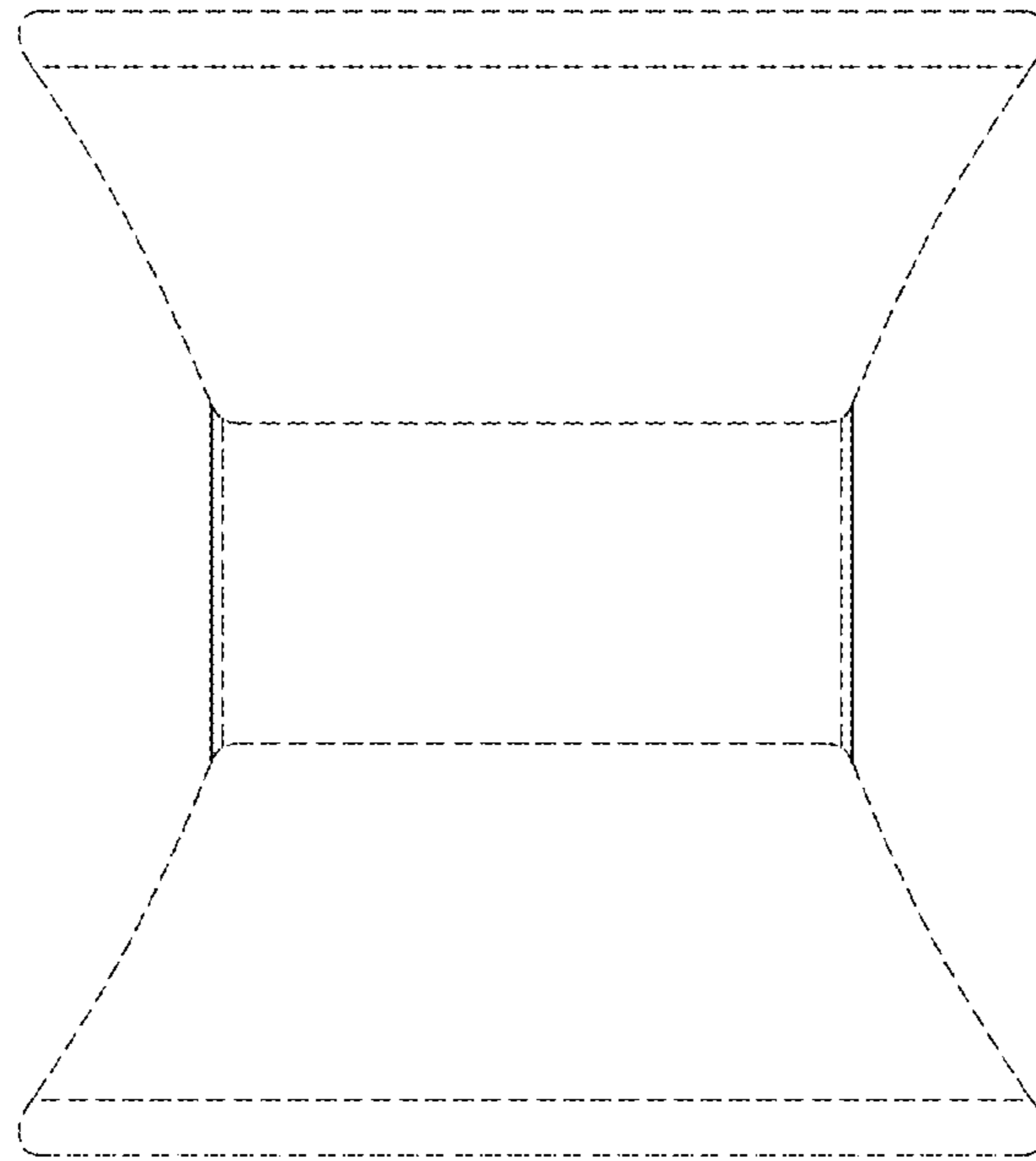


FIG. 3

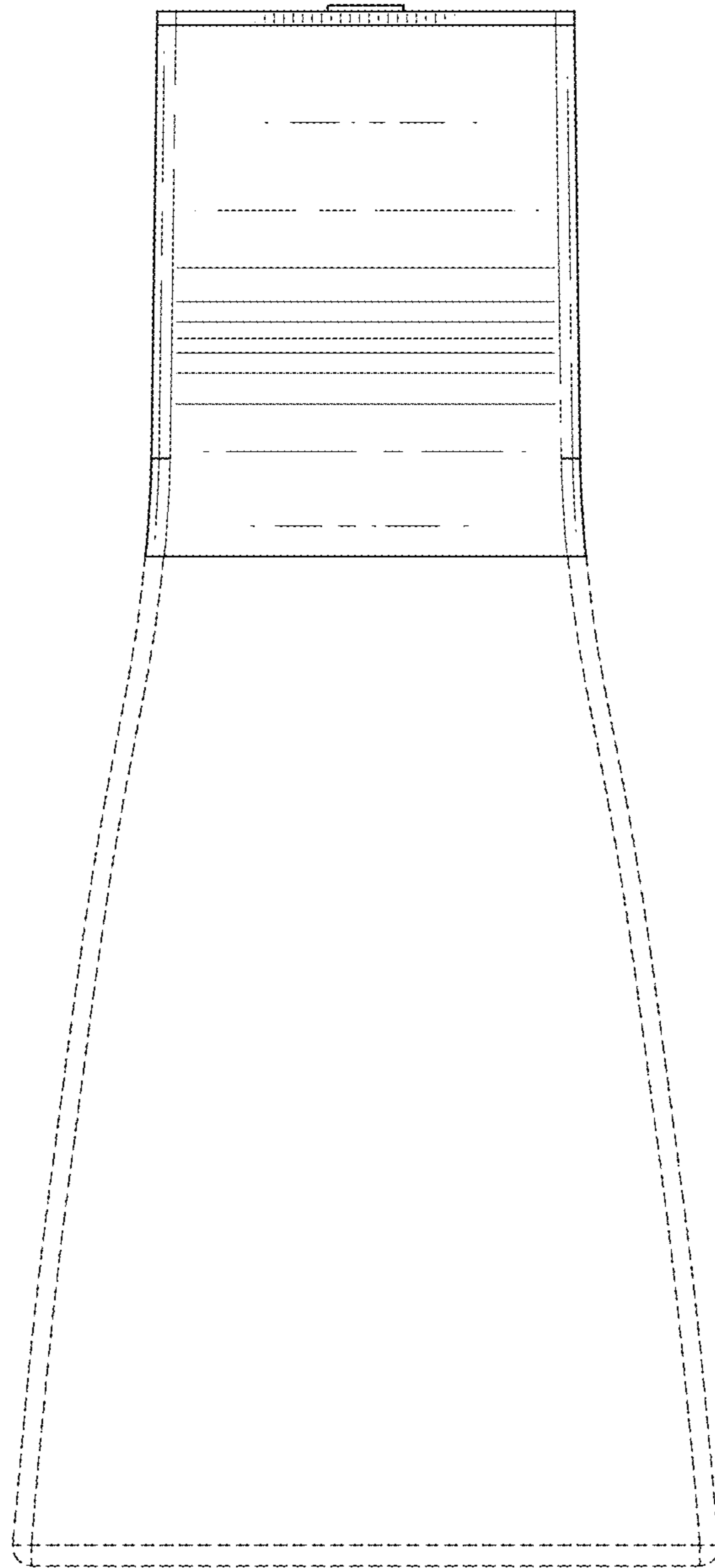


FIG.4

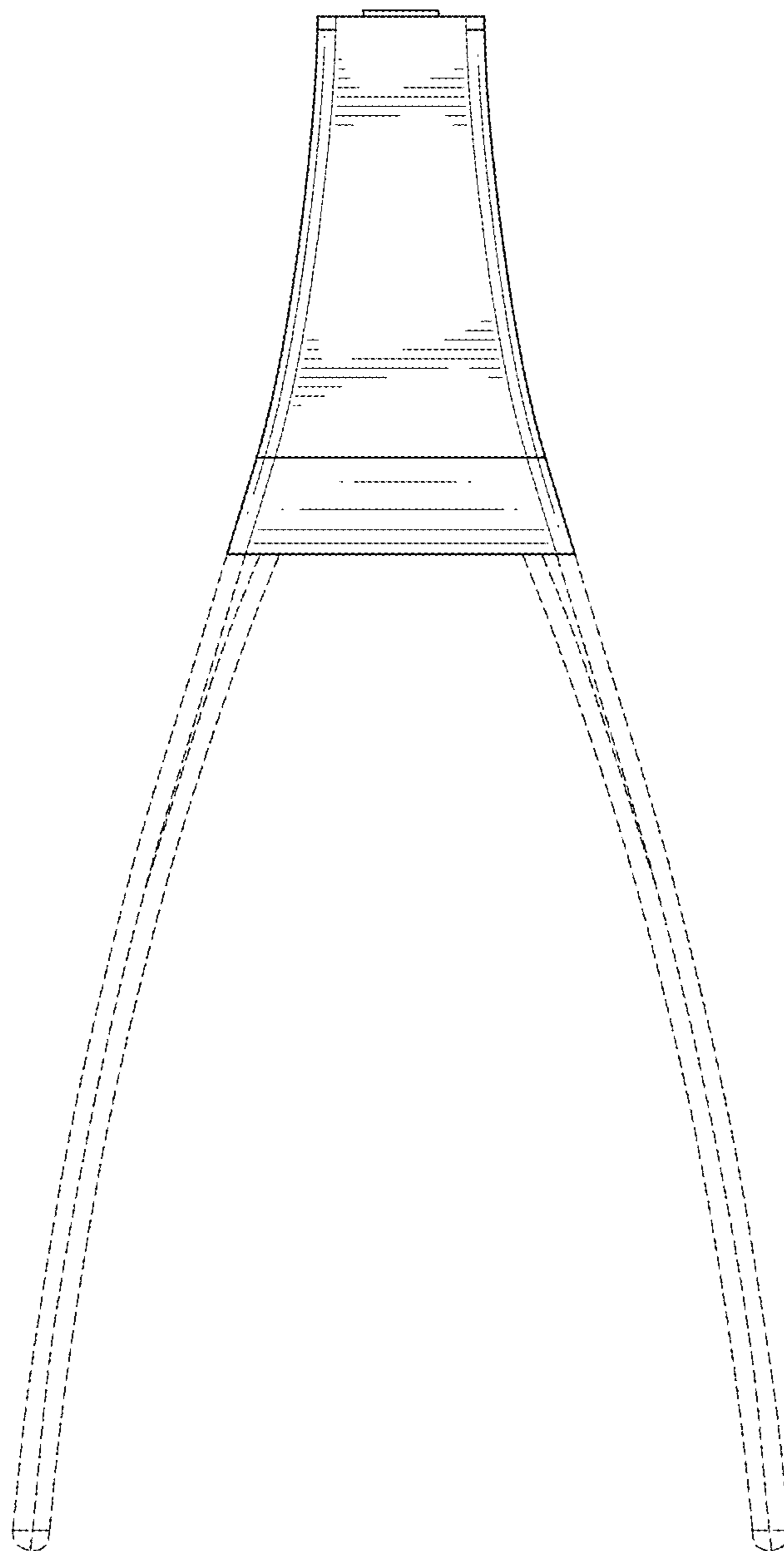


FIG. 5