



US00D791398S

(12) **United States Design Patent**
Popovic et al.

(10) **Patent No.:** **US D791,398 S**
(45) **Date of Patent:** **** Jul. 4, 2017**

(54) **LIGHTING DEVICE**

(71) Applicant: **J.W. SPEAKER CORPORATION**,
Germantown, WI (US)

(72) Inventors: **Dragoslav Popovic**, Germantown, WI
(US); **Brian M Lueck**, Watertown, WI
(US); **Michael J Herre**, Cedarburg, WI
(US)

(73) Assignee: **J.W. SPEAKER CORPORATION**,
Germantown, WI (US)

(**) Term: **15 Years**

(21) Appl. No.: **29/553,238**

(22) Filed: **Jan. 29, 2016**

(51) **LOC (10) Cl.** **26-99**

(52) **U.S. Cl.**
USPC **D26/120**

(58) **Field of Classification Search**
USPC D26/1, 24, 61, 63, 65, 85, 92, 118, 120,
D26/124

CPC F21V 21/14; F21V 15/01; F21V 14/02;
F21V 21/30; F21V 21/00; F21V 14/00;
F21S 8/00; F21S 8/003; F21S 8/043;
F21Y 2105/001

See application file for complete search history.

(56) **References Cited**

U.S. PATENT DOCUMENTS

D645,582 S * 9/2011 Kim D26/2
D677,422 S * 3/2013 Lin D26/120

D677,831 S * 3/2013 Lin D26/120
D679,446 S * 4/2013 Harrington, Jr. D26/124
D712,087 S * 8/2014 Kjaergaard Toft D26/123
D727,558 S * 4/2015 Tang D26/120
D744,694 S * 12/2015 Goltche D26/120
D757,992 S * 5/2016 Hsu D26/124

* cited by examiner

Primary Examiner — Brian N Vinson

(74) *Attorney, Agent, or Firm* — Quarles & Brady LLP

(57) **CLAIM**

The ornamental design for a lighting device, as shown and described.

DESCRIPTION

FIG. 1 is a top, left, front perspective view of a lighting device embodying our new design;
FIG. 2 is a bottom, right, front perspective view thereof;
FIG. 3 is a front elevational view thereof;
FIG. 4 is a left elevational view thereof;
FIG. 5 is a right elevational view thereof;
FIG. 6 is a top plan view thereof;
FIG. 7 is a bottom plan view thereof;
FIG. 8 is a rear elevational view thereof; and,
FIG. 9 is a left elevational view thereof, with a cover shown as environment.

The broken line representations showing in FIGS. 1-9 of the lighting device illustrate portions of the lighting device that form no part of the claimed design.

The nature of this product is a device for lighting, such as light guide components of a light for illuminating spaces, for example spaces near vehicles.

1 Claim, 6 Drawing Sheets

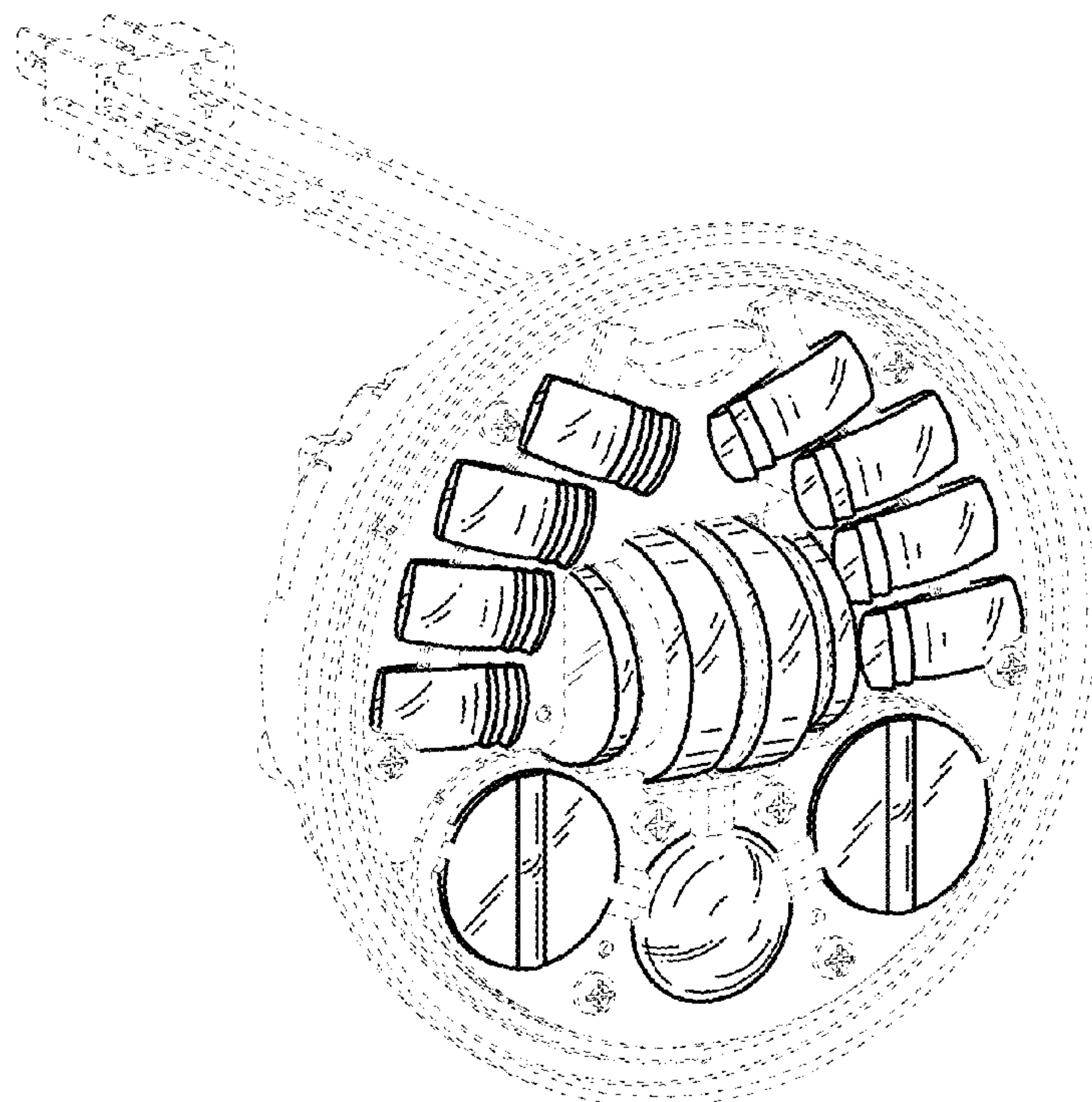


FIG. 1

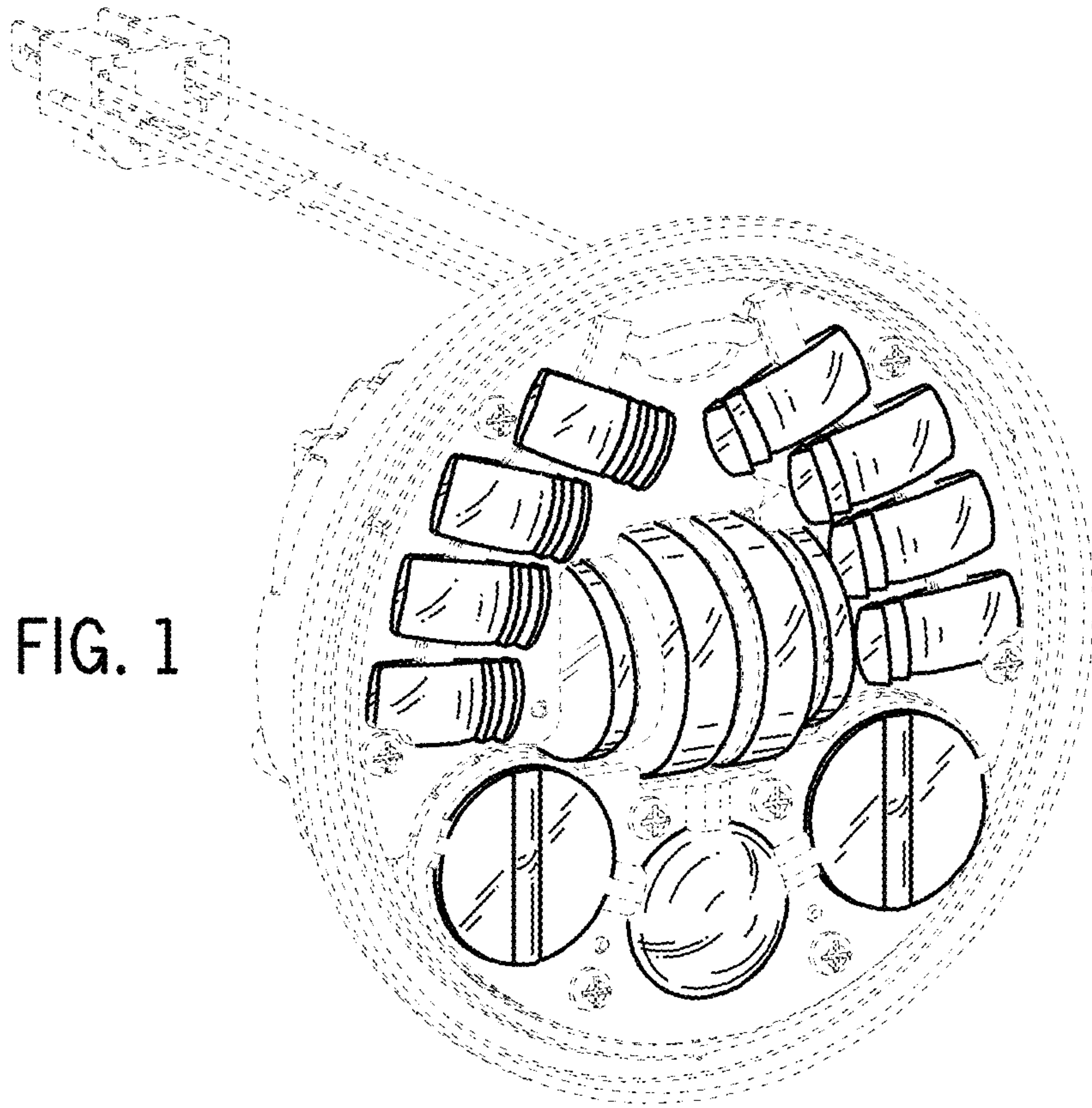
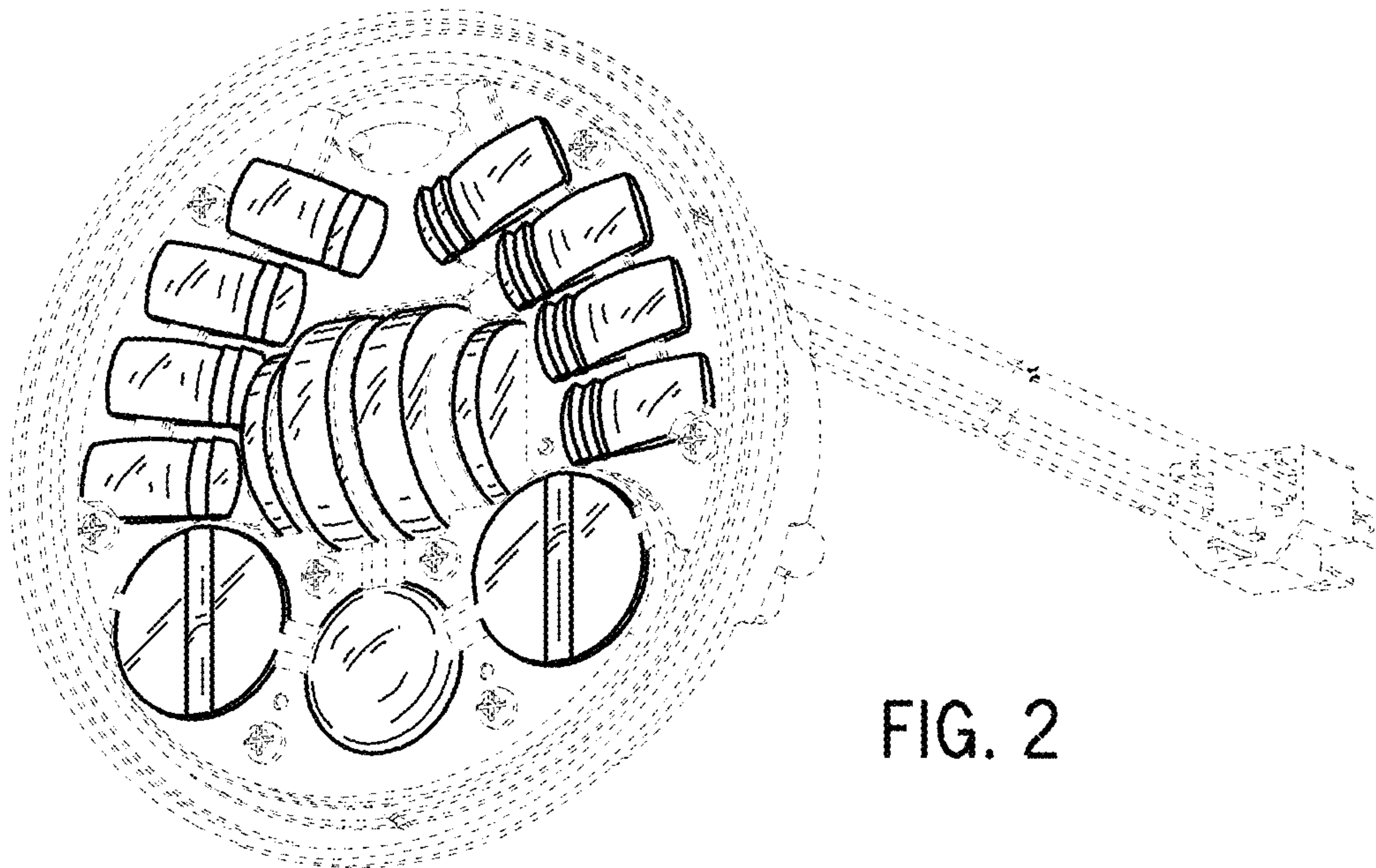


FIG. 2



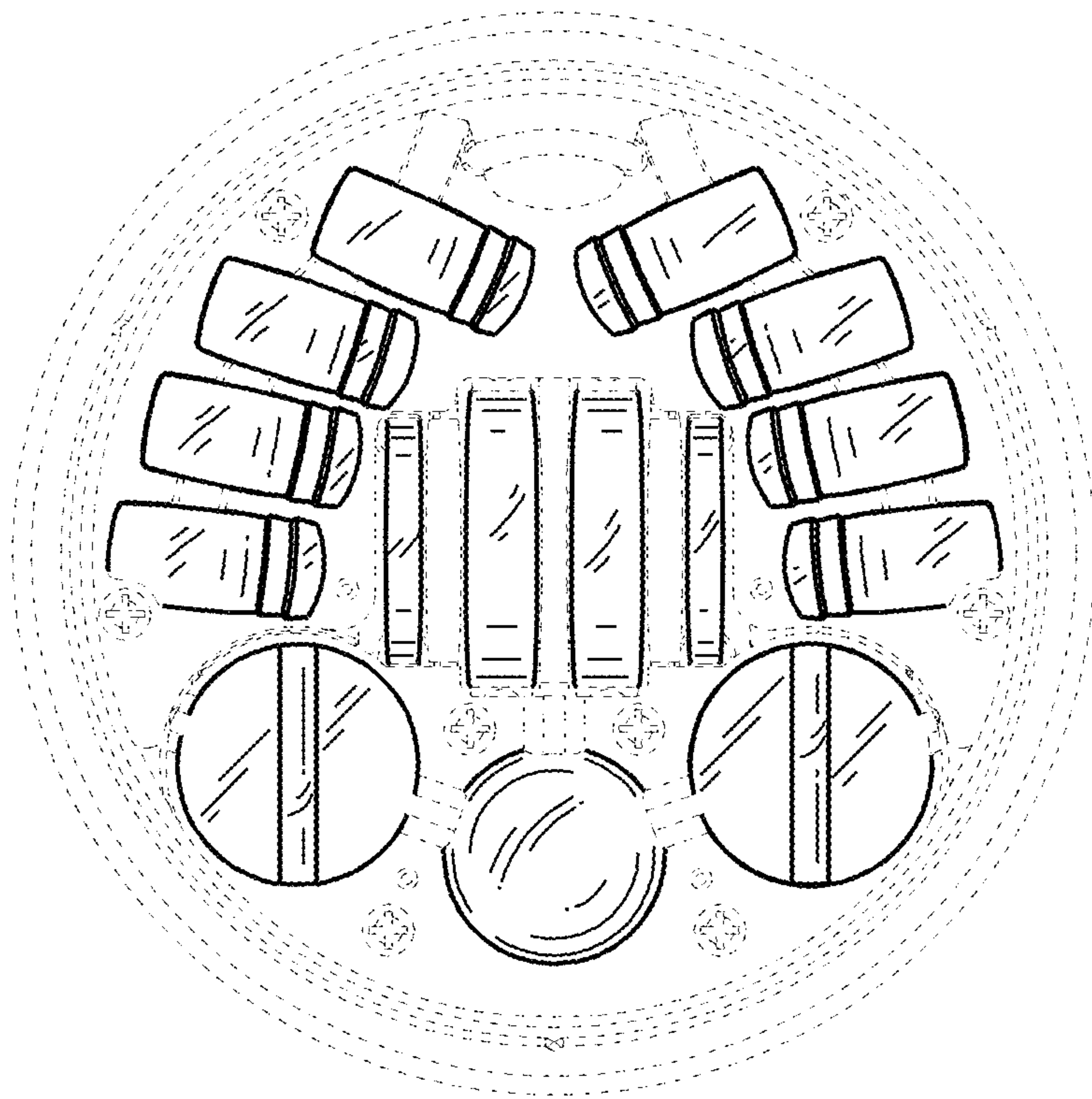


FIG. 3

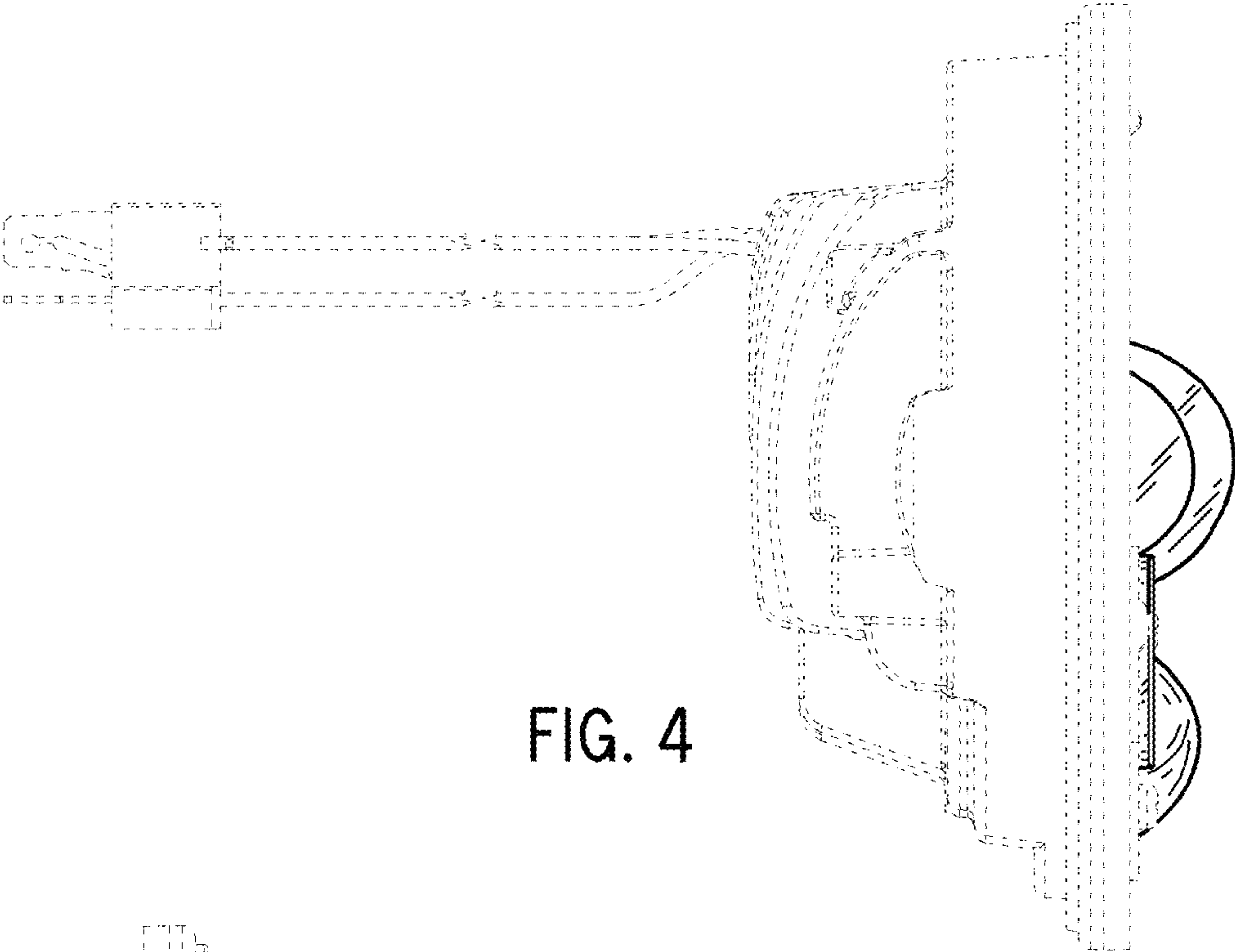


FIG. 4

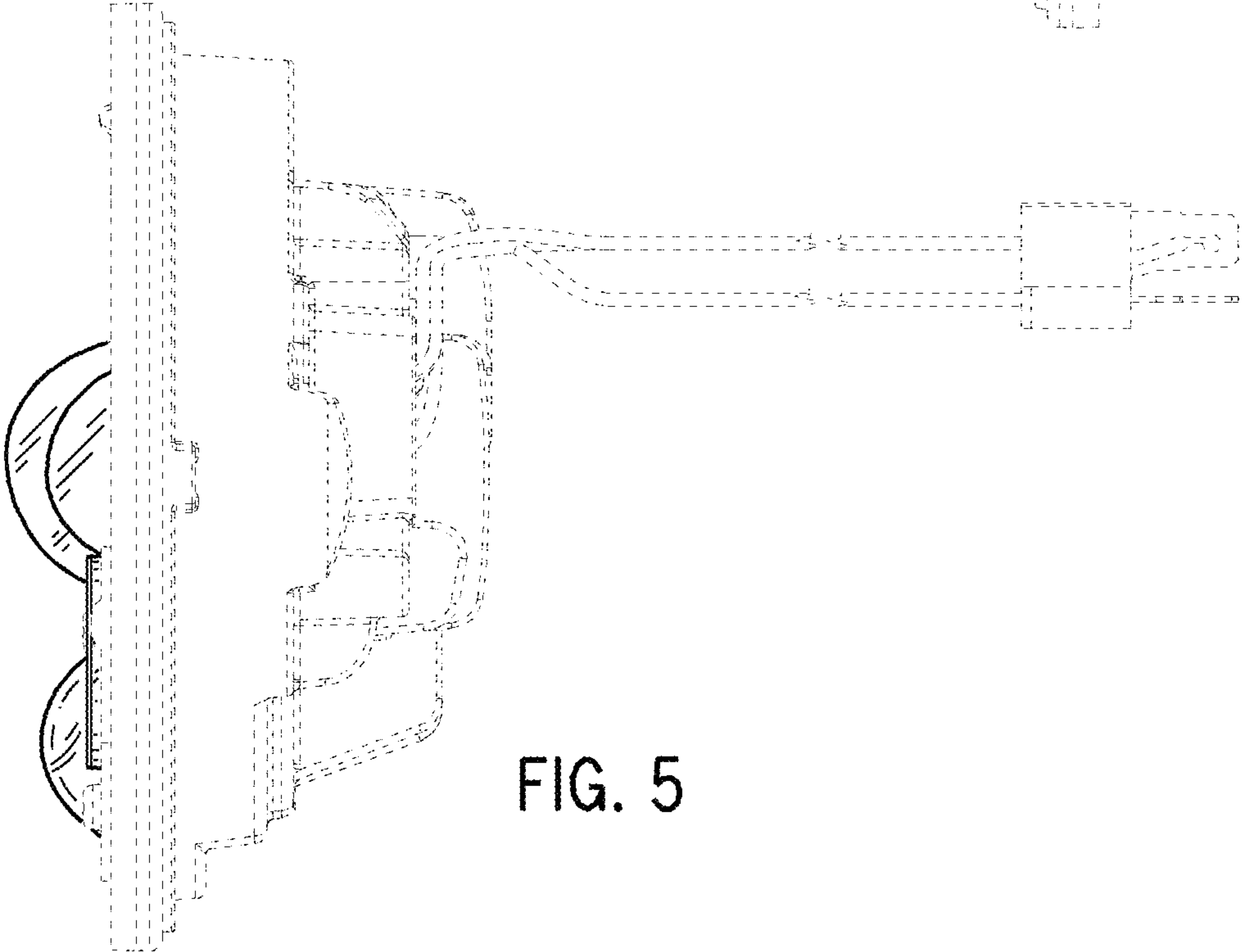


FIG. 5

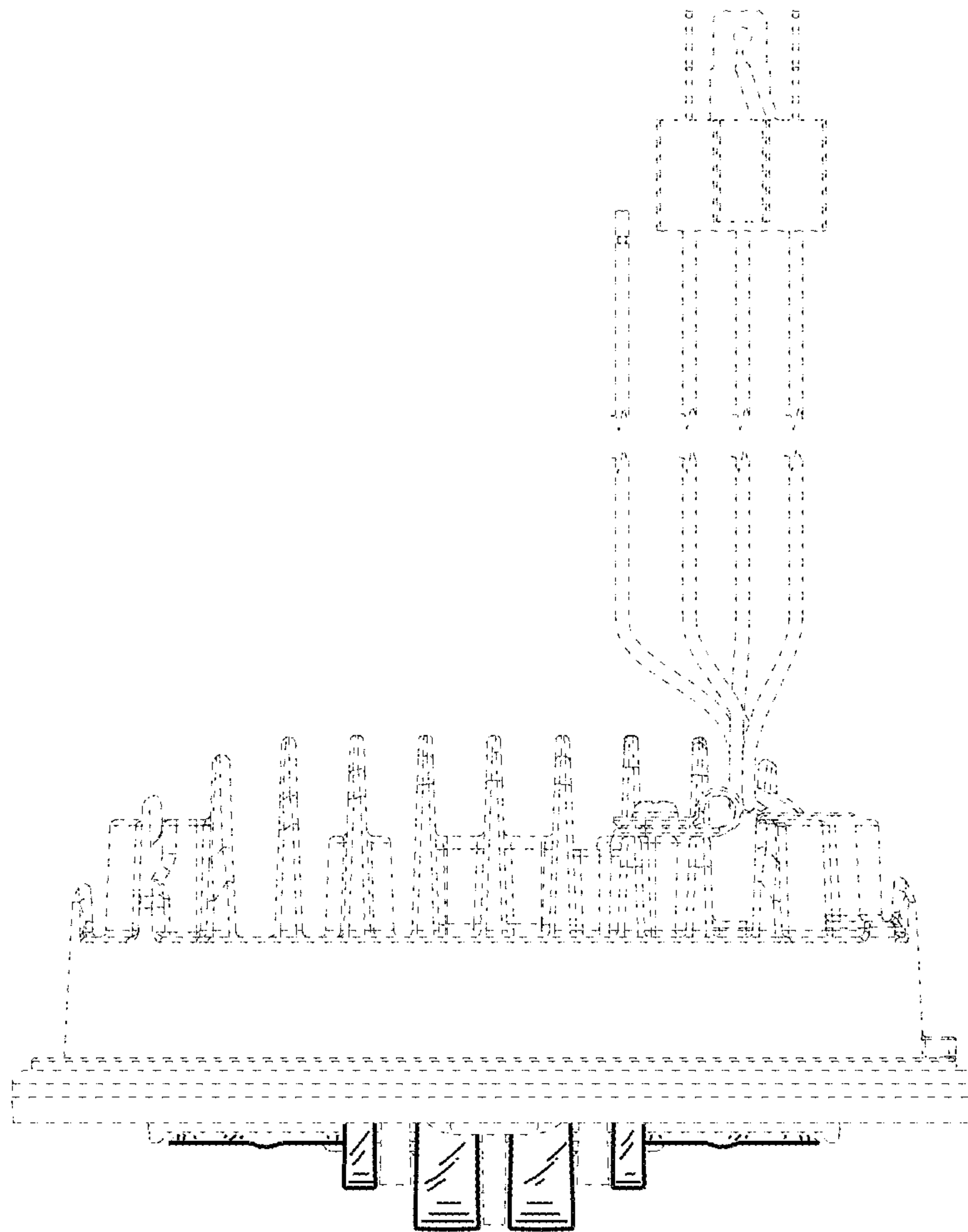


FIG. 6

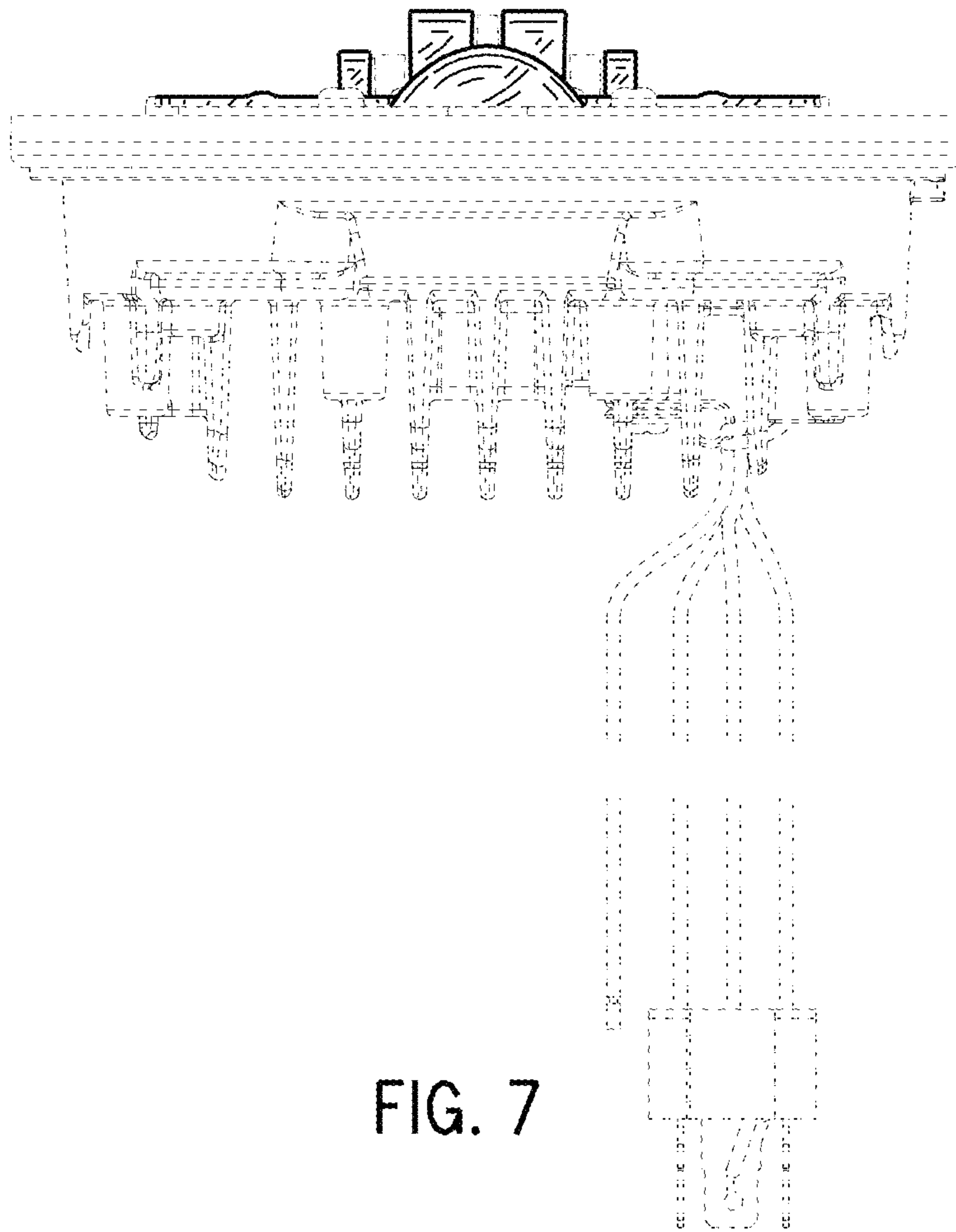


FIG. 7

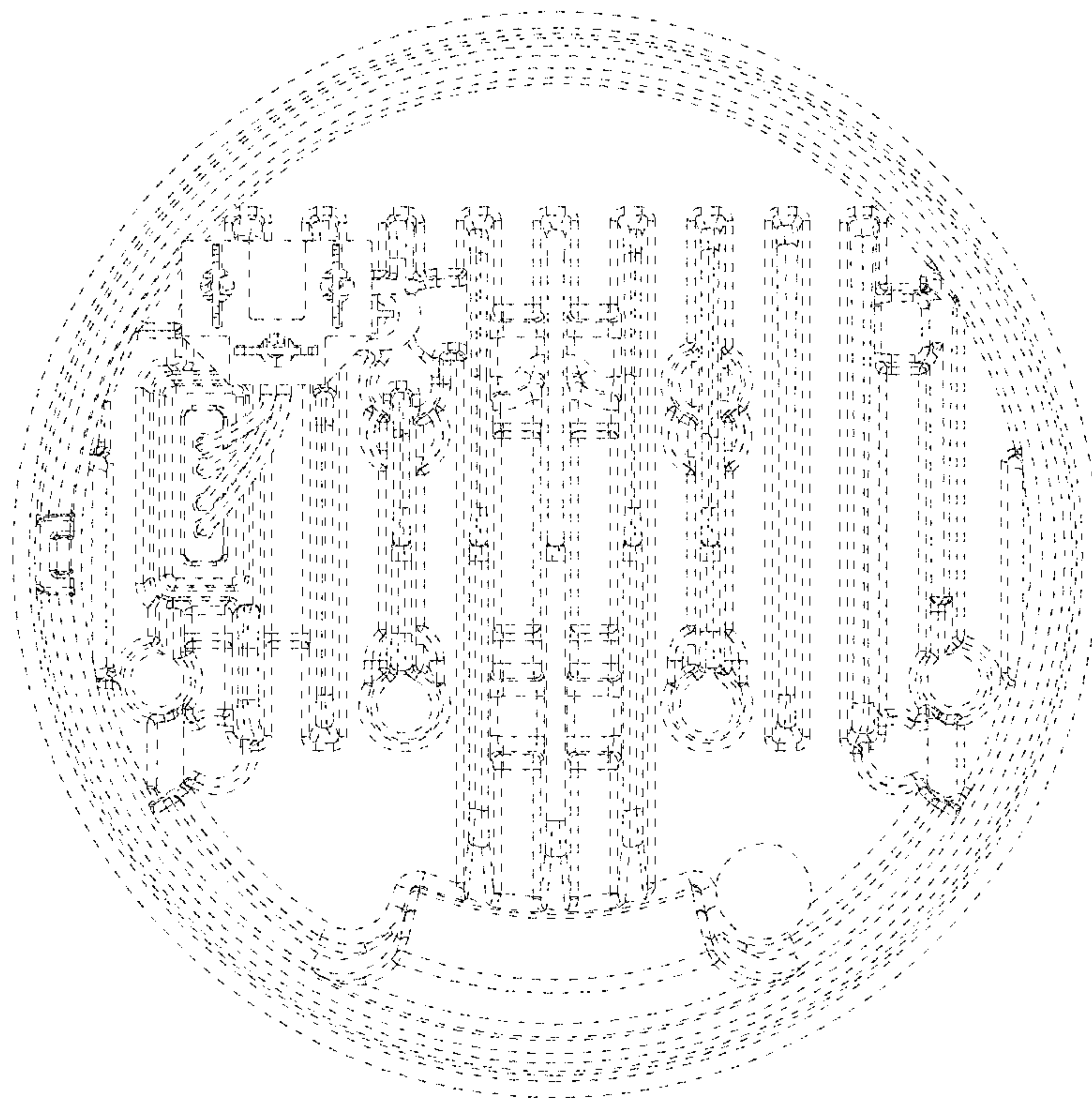


FIG. 8

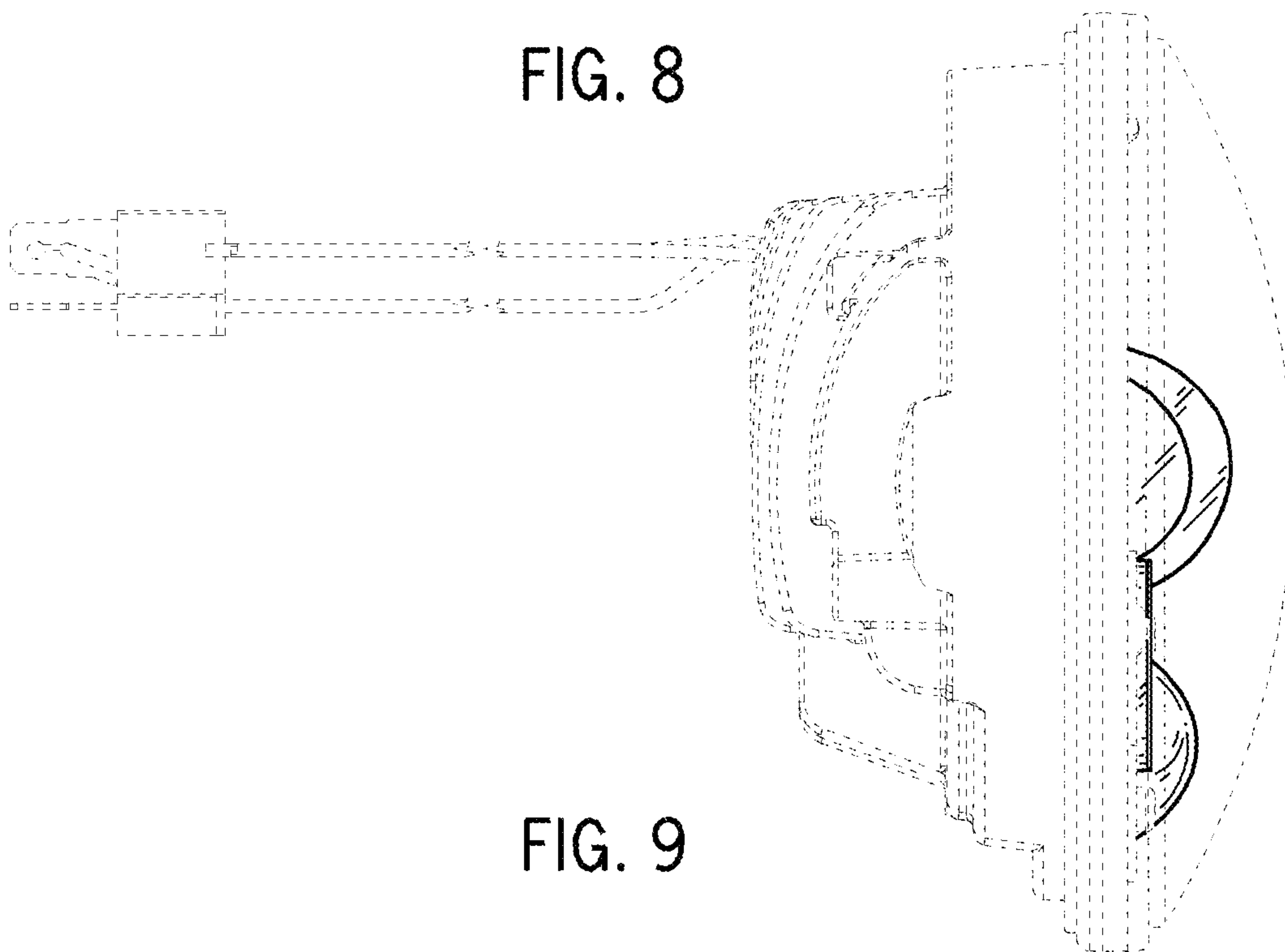


FIG. 9