



US00D791397S

(12) **United States Design Patent**  
**Popovic et al.**

(10) **Patent No.:** **US D791,397 S**  
(45) **Date of Patent:** **\*\* Jul. 4, 2017**

(54) **LIGHTING DEVICE**

(71) Applicant: **J.W. SPEAKER CORPORATION**,  
Germantown, WI (US)

(72) Inventors: **Dragoslav Popovic**, Germantown, WI  
(US); **Bradley William Kay**, Mequon,  
WI (US); **Eric Deering**, Hartland, WI  
(US)

(73) Assignee: **J.W. SPEAKER CORPORATION**,  
Germantown, WI (US)

(\*\*) Term: **15 Years**

(21) Appl. No.: **29/553,237**

(22) Filed: **Jan. 29, 2016**

(51) **LOC (10) Cl.** ..... **26-99**

(52) **U.S. Cl.**  
USPC ..... **D26/120**

(58) **Field of Classification Search**  
USPC ..... D26/1, 24, 61, 63, 65, 85, 92, 118, 120,  
D26/124

CPC ..... F21V 21/14; F21V 15/01; F21V 14/02;  
F21V 21/30; F21V 21/00; F21V 14/00;  
F21S 8/00; F21S 8/003; F21S 8/043;  
F21Y 2105/001

See application file for complete search history.

(56) **References Cited**

**U.S. PATENT DOCUMENTS**

D645,582 S \* 9/2011 Kim ..... D26/2  
D677,422 S \* 3/2013 Lin ..... D26/120

D677,831 S \* 3/2013 Lin ..... D26/120  
D679,446 S \* 4/2013 Harrington, Jr. .... D26/124  
D712,087 S \* 8/2014 Kjaergaard Toft ..... D26/123  
D727,558 S \* 4/2015 Tang ..... D26/120  
D744,694 S \* 12/2015 Goltche ..... D26/120  
D757,992 S \* 5/2016 Hsu ..... D26/124

\* cited by examiner

*Primary Examiner* — Brian N Vinson

(74) *Attorney, Agent, or Firm* — Quarles & Brady LLP

(57) **CLAIM**

The ornamental design for a lighting device, as shown and described.

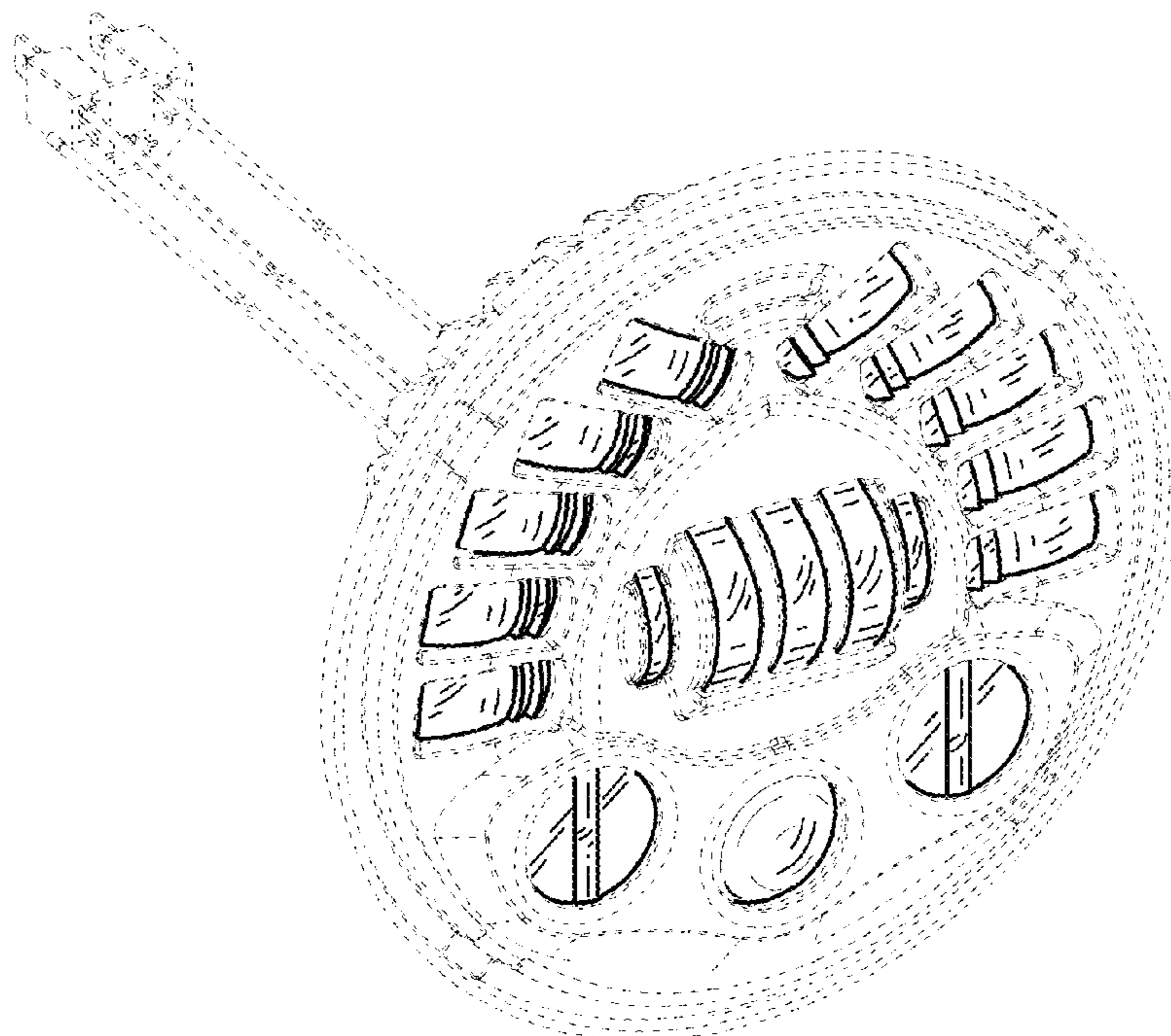
**DESCRIPTION**

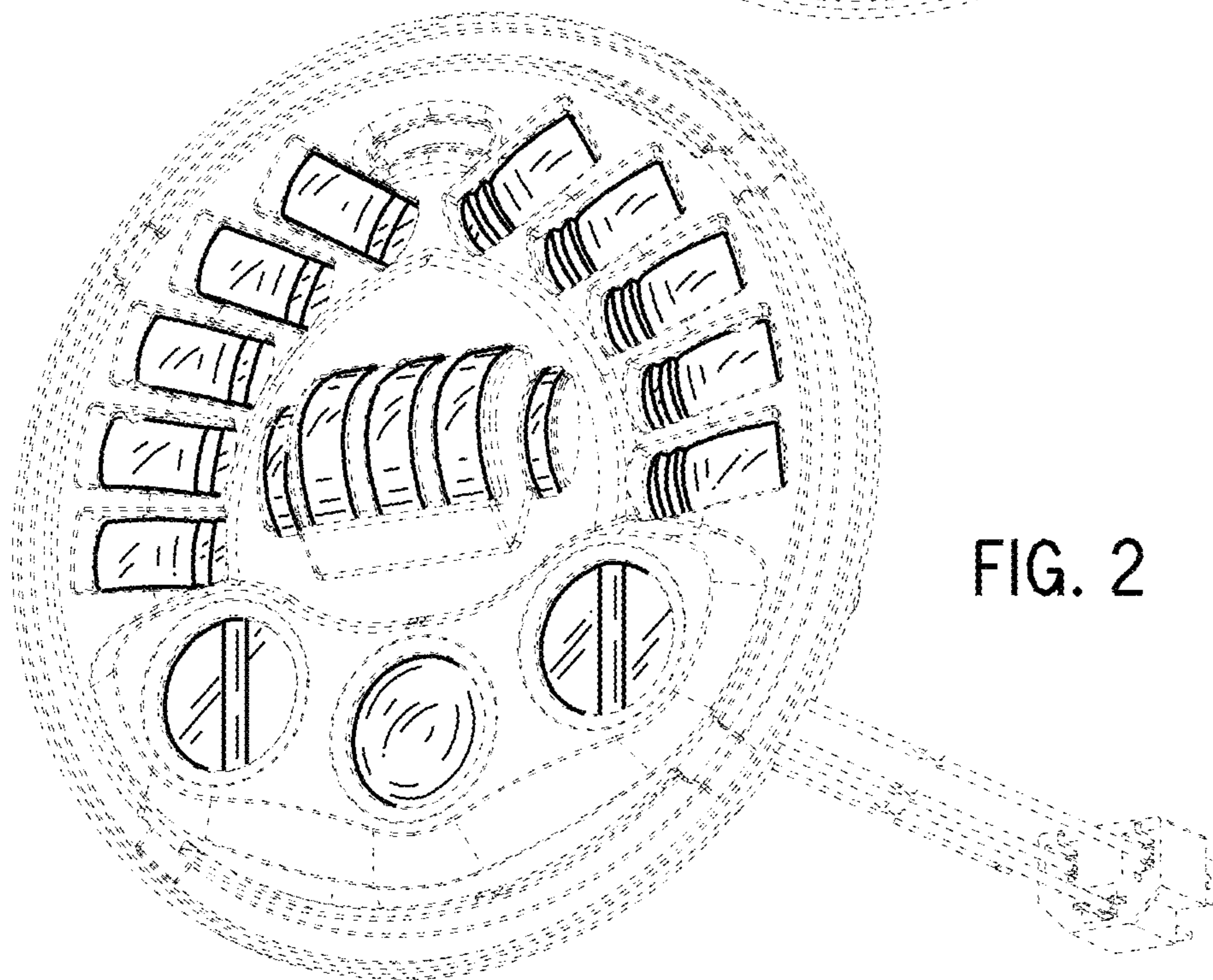
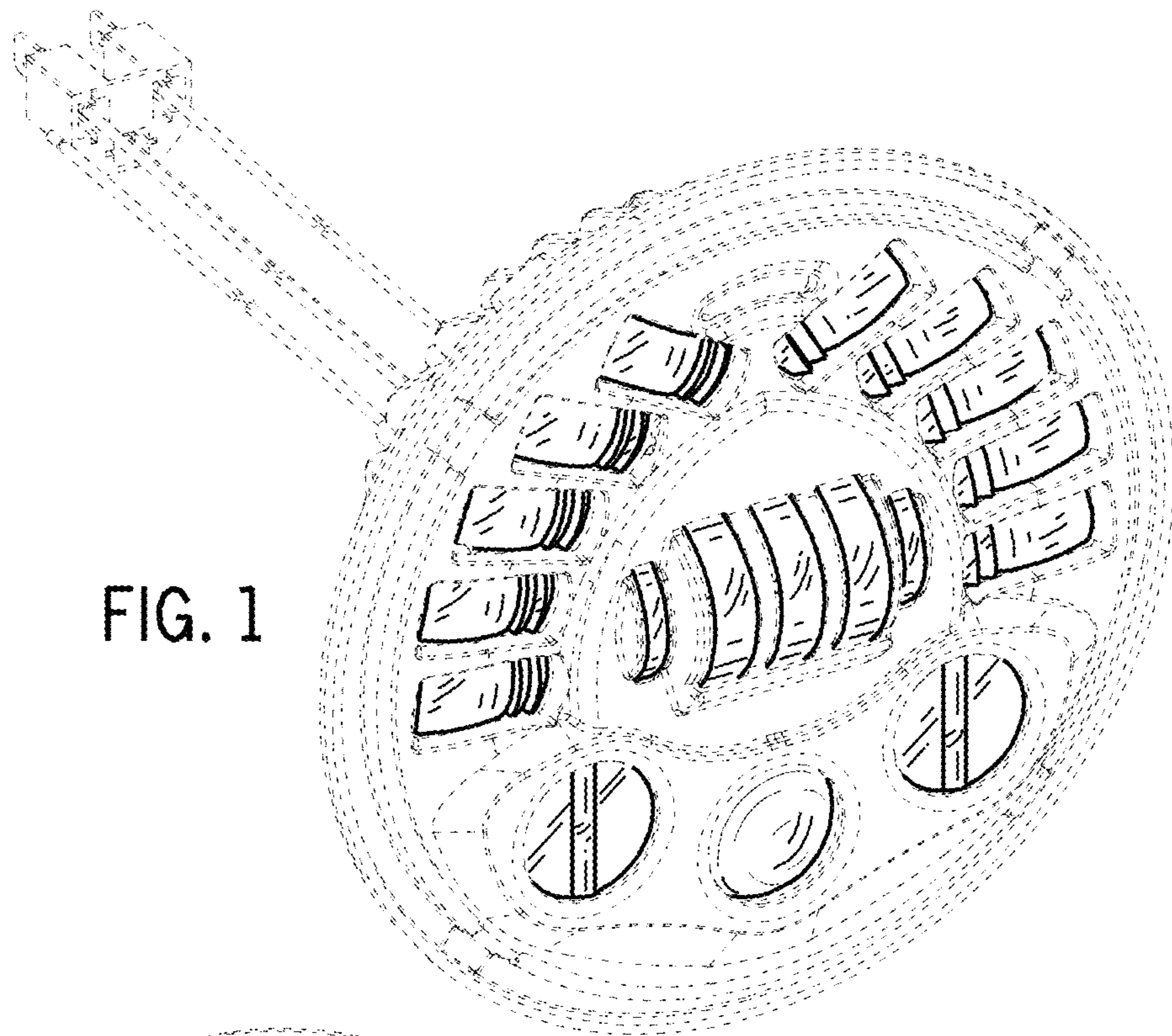
FIG. 1 is a top, left, front perspective view of a lighting device embodying our new design;  
FIG. 2 is a bottom, right, front perspective view thereof;  
FIG. 3 is a front elevational view thereof;  
FIG. 4 is a left elevational view thereof;  
FIG. 5 is a right elevational view thereof;  
FIG. 6 is a top plan view thereof;  
FIG. 7 is a bottom plan view thereof;  
FIG. 8 is a rear elevational view thereof; and,  
FIG. 9 is a left elevational view thereof, with a cover shown as environment.

The broken line representations showing in FIGS. 1-9 of the lighting device illustrate portions of the lighting device that form no part of the claimed design.

The nature of this product is a device for lighting, such as light guide components of a light for illuminating spaces, for example spaces near vehicles.

**1 Claim, 6 Drawing Sheets**







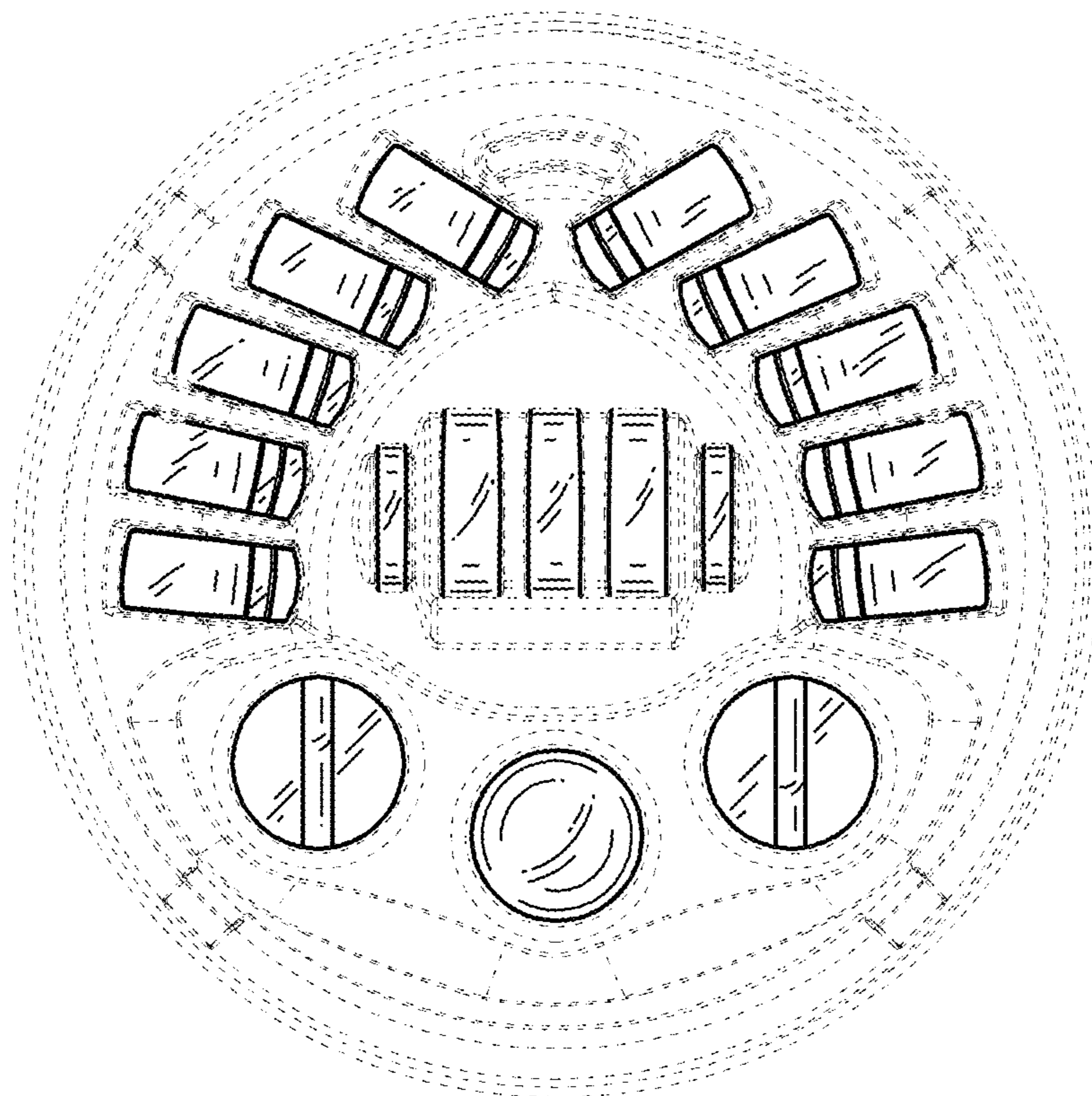
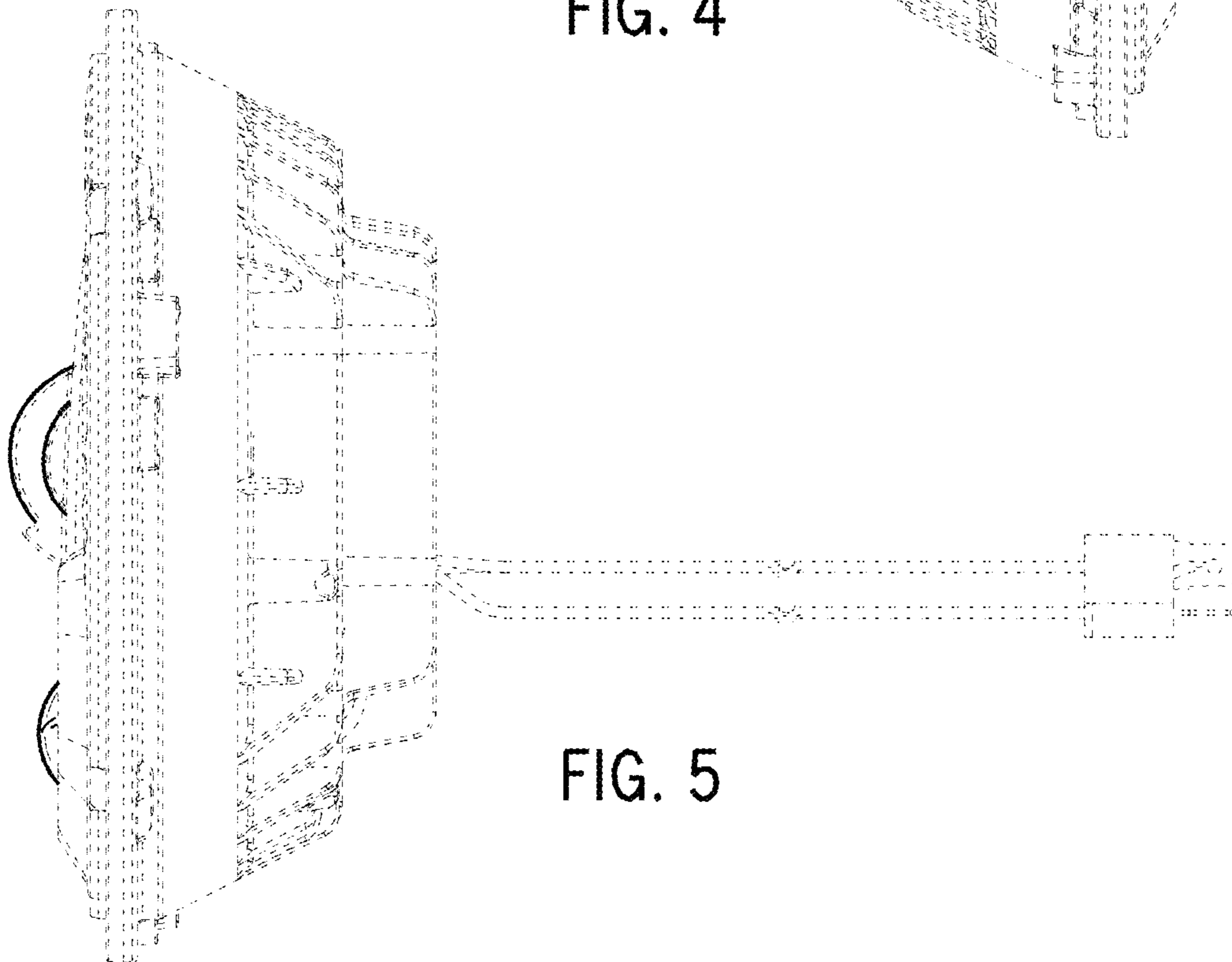
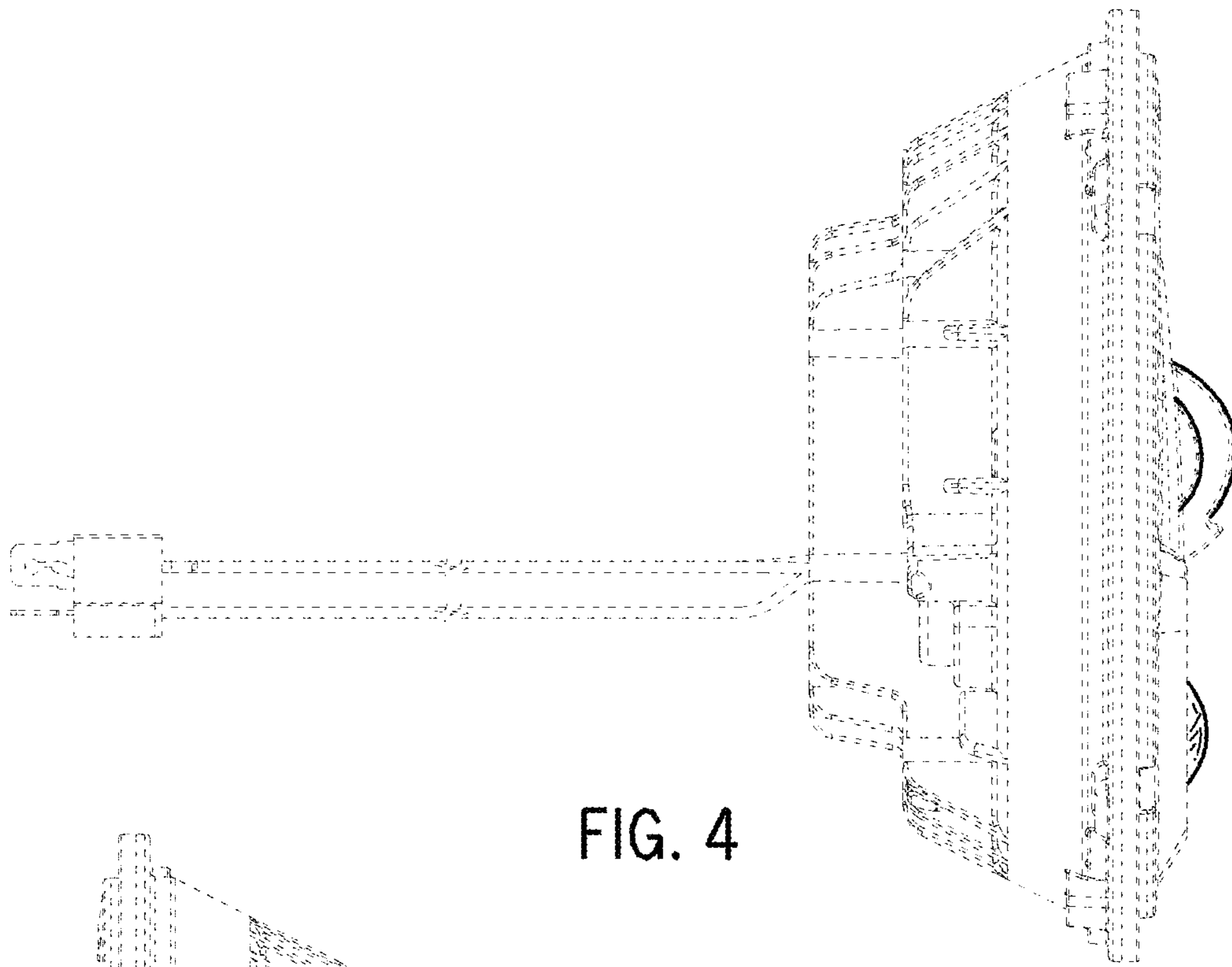


FIG. 3



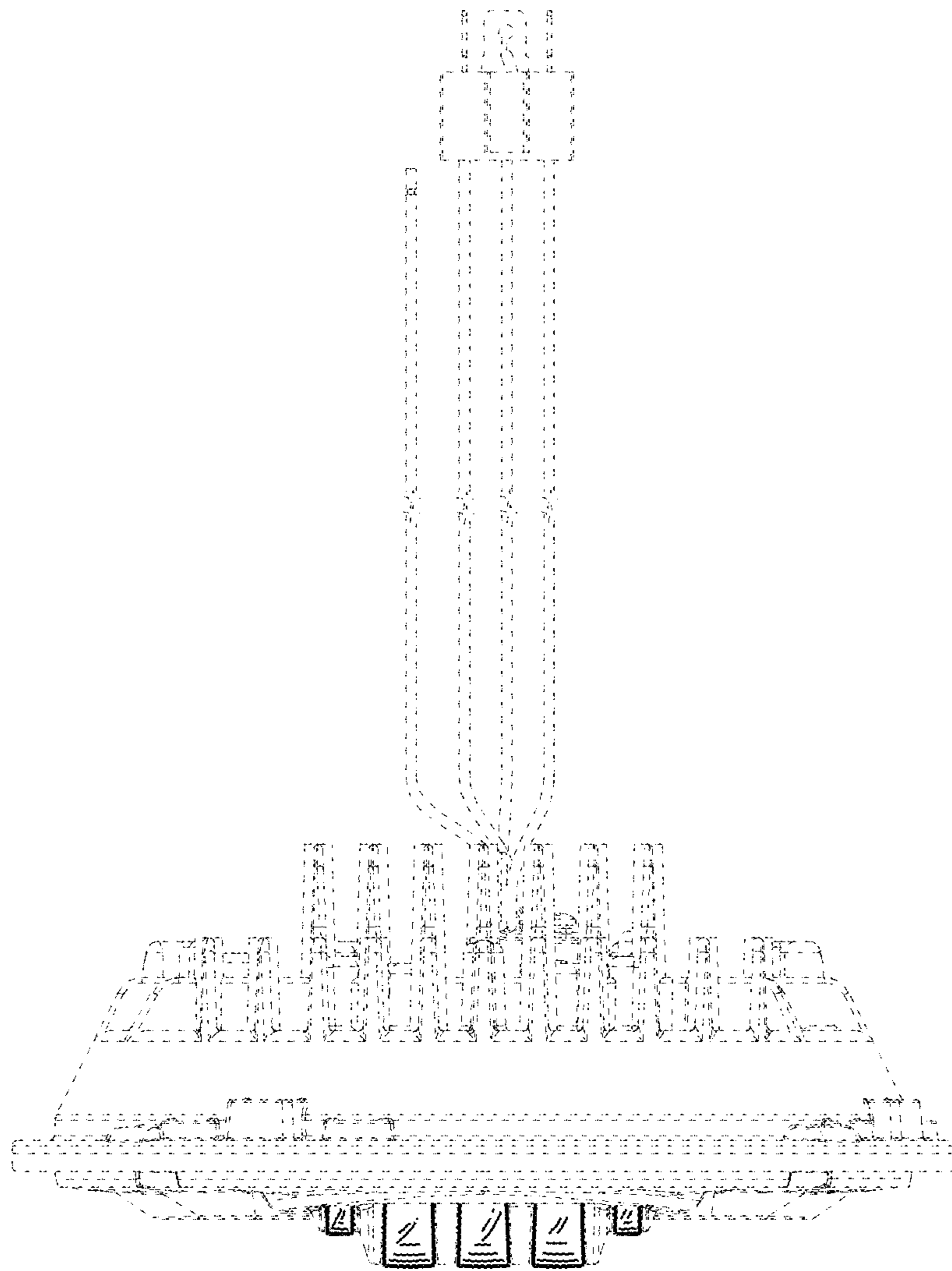


FIG. 6

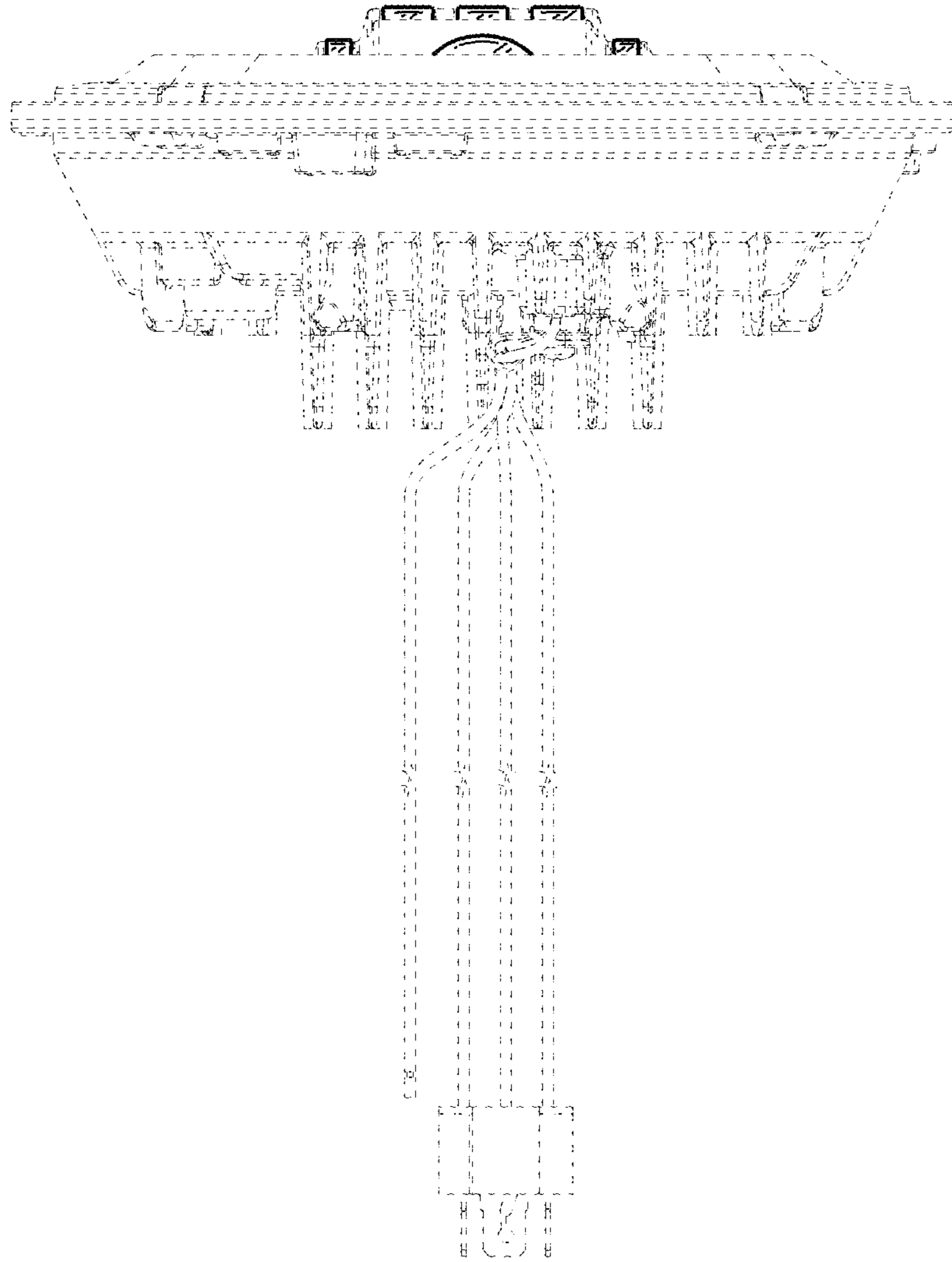


FIG. 7

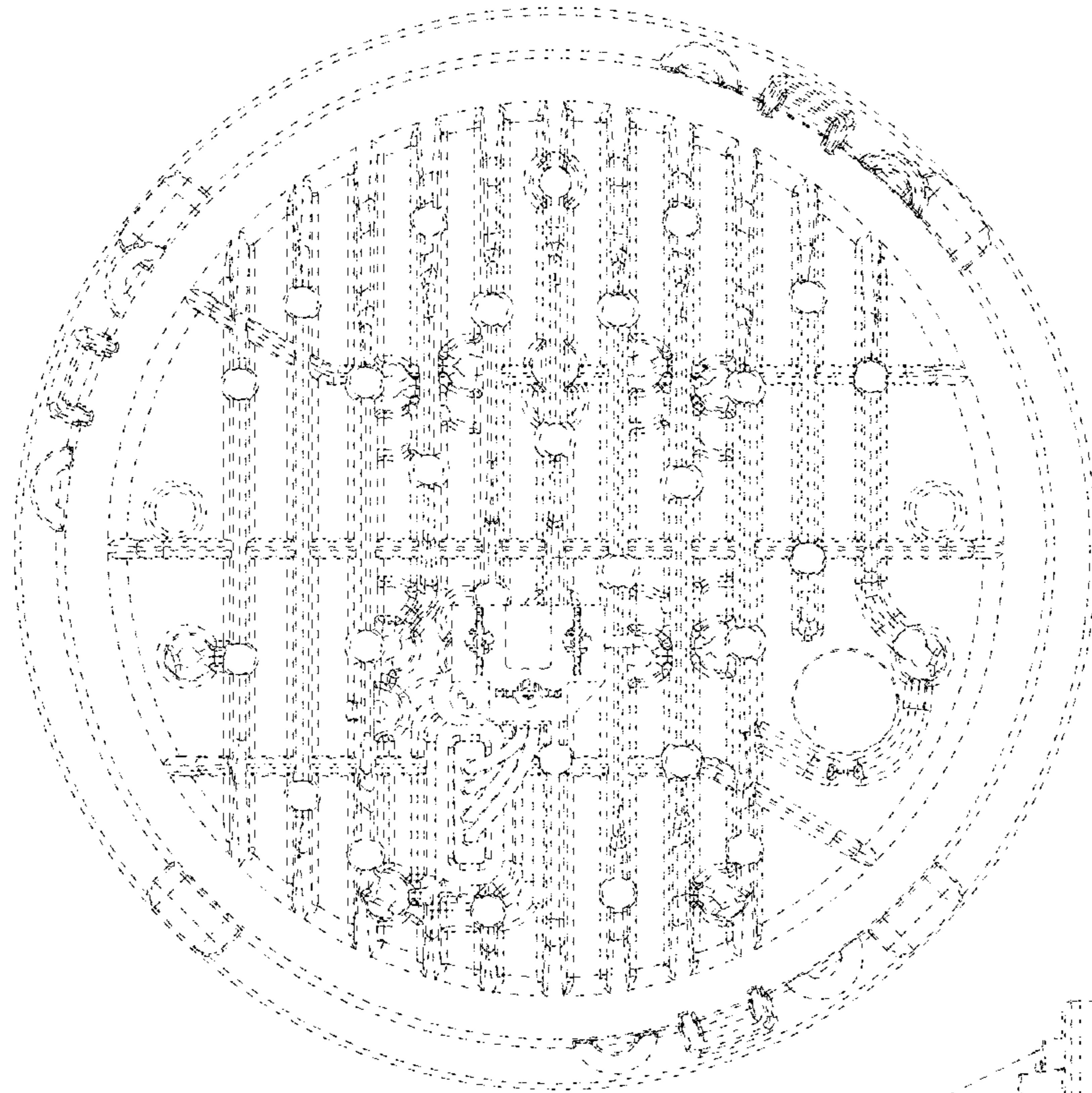


FIG. 8

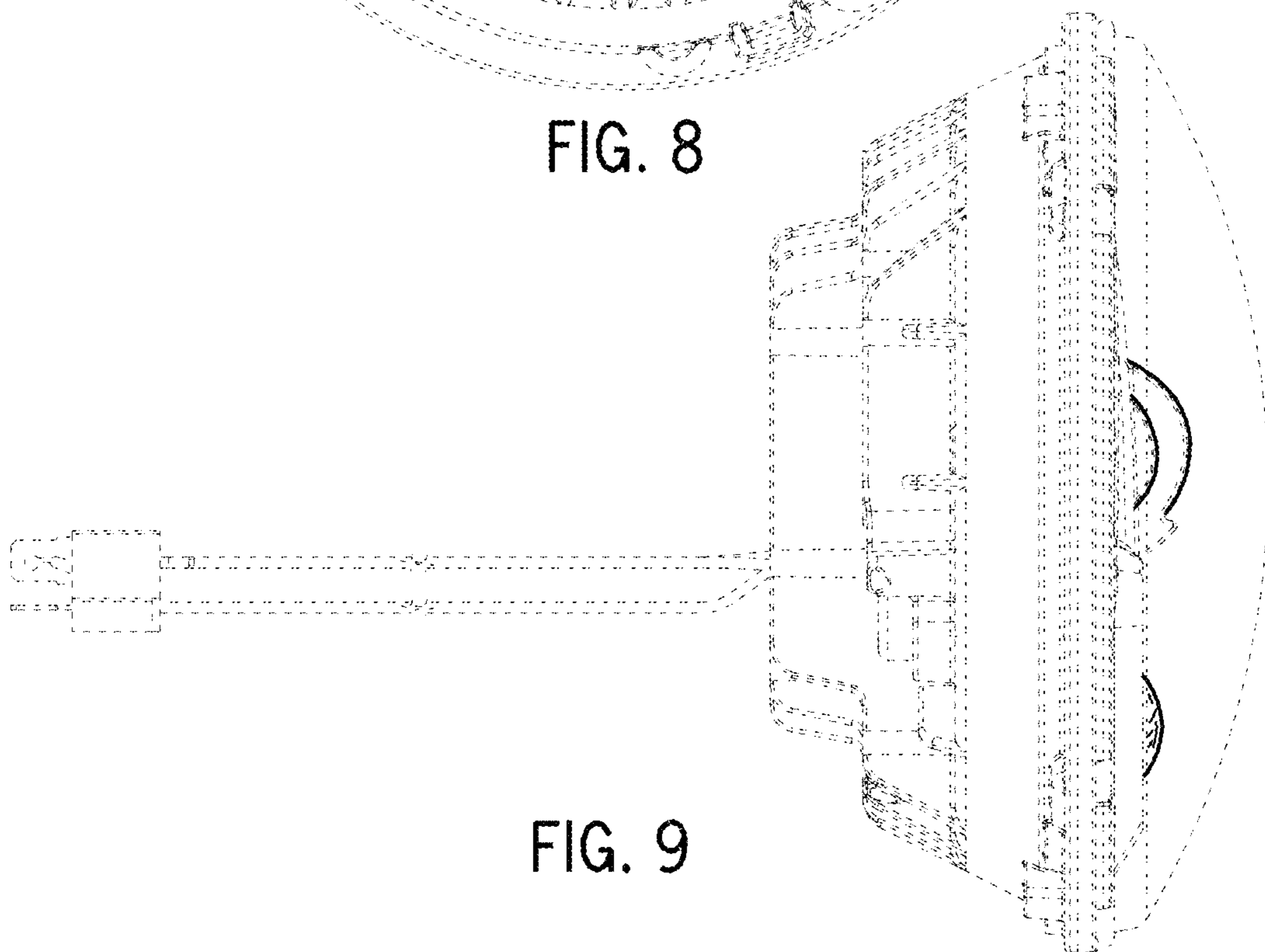


FIG. 9