



US00D791396S

(12) **United States Design Patent**
Yang

(10) **Patent No.:** **US D791,396 S**
(45) **Date of Patent:** **** Jul. 4, 2017**

- (54) **LIGHTING ENCLOSURE**
- (71) Applicant: **Kuzco Lighting**, Surrey (CA)
- (72) Inventor: **Shaokun Yang**, Surrey (CA)
- (73) Assignee: **Kuzco Lighting**, Surrey, British Columbia (CA)
- (**) Term: **15 Years**
- (21) Appl. No.: **29/551,875**
- (22) Filed: **Jan. 18, 2016**
- (51) **LOC (10) Cl.** **26-99**
- (52) **U.S. Cl.**
USPC **D26/118**
- (58) **Field of Classification Search**
USPC D26/118, 120, 123, 124, 128, 129
CPC F21S 8/00; F21V 1/00; F21V 3/00; F21V 21/00; F21V 21/34
See application file for complete search history.

D285,978 S * 9/1986 Rice D26/107
 4,735,035 A 4/1988 Mattioli
 4,973,370 A 11/1990 Kreinberg
 (Continued)

FOREIGN PATENT DOCUMENTS

CA 2422087 A1 12/2002
 CA 2586494 7/2010
 (Continued)

OTHER PUBLICATIONS

USPTO; Office Action to Design U.S. Appl. No. 29/523,131; Issued Oct. 5, 2016, 28 pgs.
 (Continued)

Primary Examiner — Brian N Vinson

(57) **CLAIM**

I claim the ornamental design for a lighting enclosure, as shown and described.

DESCRIPTION

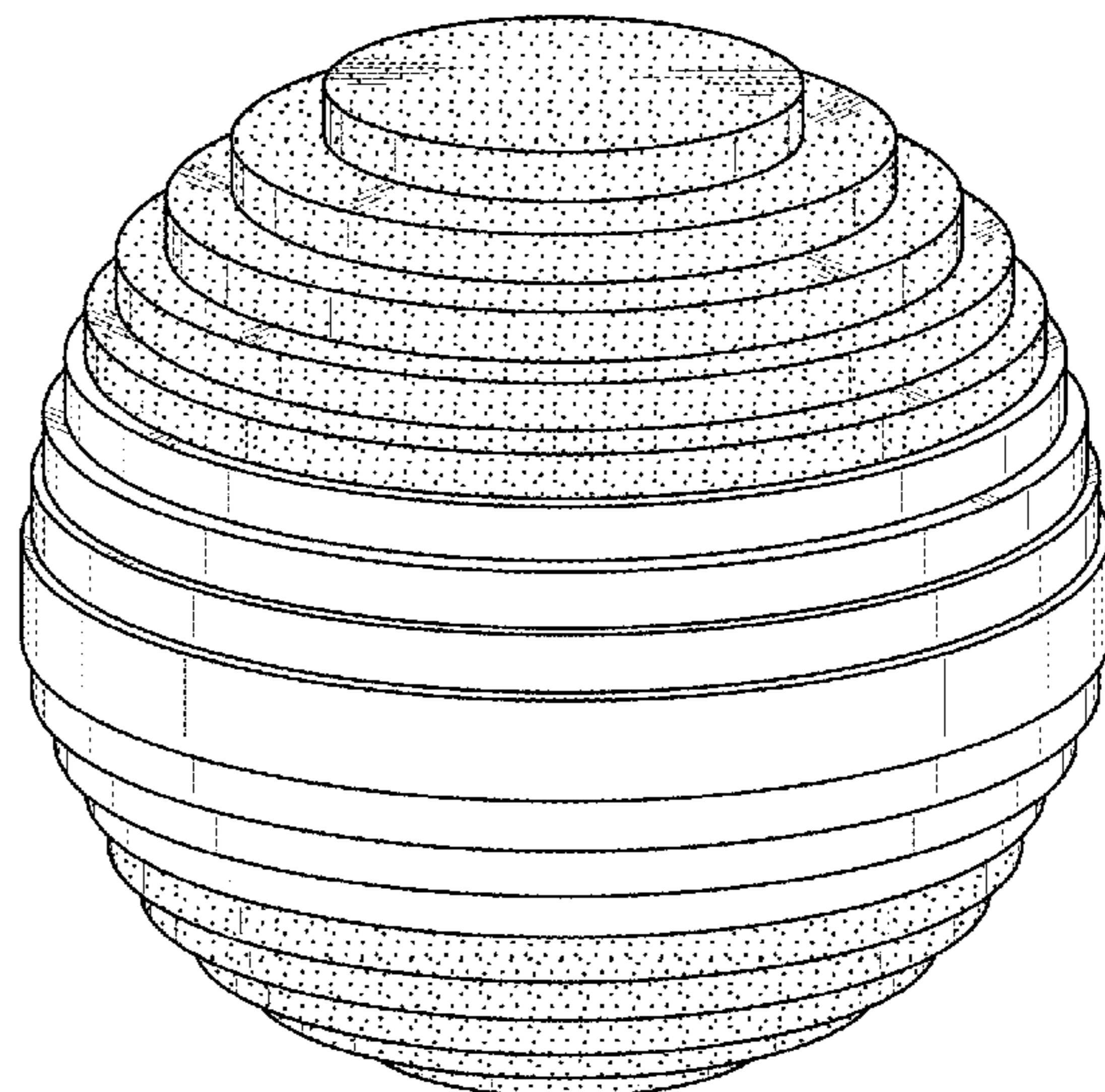
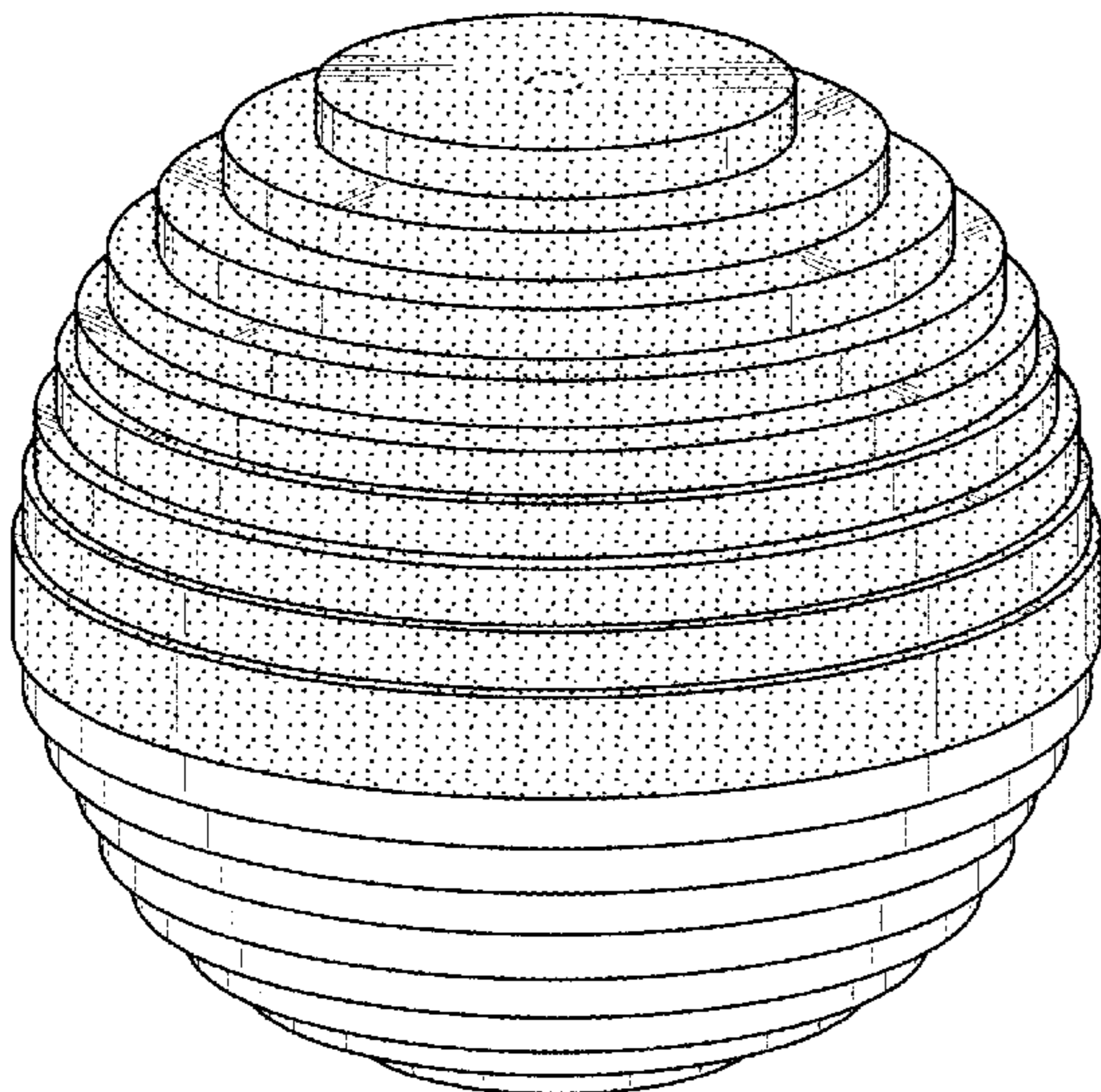
FIG. 1 is a perspective view of a first embodiment of a lighting enclosure;
 FIG. 2 is a top view of the lighting enclosure;
 FIG. 3 is a bottom view of the lighting enclosure;
 FIG. 4 is a front view of the lighting enclosure;
 FIG. 5 is a left-side view of the lighting enclosure;
 FIG. 6 is a right-side view of the lighting enclosure;
 FIG. 7 is a rear view of the lighting enclosure; and,
 FIG. 8 is a perspective view of a second embodiment of a lighting enclosure, the only difference being that the first embodiment shows the upper half having a different opacity than the bottom half, and the second embodiment shows the upper and lower halves having different opacity than the middle portion.
 The broken line disclosure represents apertures for mounting the enclosure which form no part of the claimed design.

1 Claim, 4 Drawing Sheets

(56) **References Cited**

U.S. PATENT DOCUMENTS

734,167 A	7/1903	Gaisman	
1,509,559 A	9/1924	Jennings	
1,638,679 A	8/1927	Buchanan	
D91,174 S	8/1933	Mascuch	
D125,312 S *	2/1941	Logan	D26/88
2,243,712 A	5/1941	Levy	
2,516,661 A	7/1950	Versen	
2,796,517 A *	6/1957	Herzfelder	F21V 1/06 362/352
3,506,232 A	4/1970	Wolar et al.	
3,561,652 A	2/1971	Ruter	
3,799,429 A	3/1974	Henry	
4,146,919 A	3/1979	Jennings	
4,214,296 A	7/1980	Magett	
D259,060 S	4/1981	Hansen	
D271,241 S *	11/1983	Vrignaud	D26/104



(56)

References Cited

U.S. PATENT DOCUMENTS

5,018,969 A 5/1991 Andreiko et al.
 5,036,166 A 7/1991 Monopoli
 D328,908 S 8/1992 Kalbach
 D329,309 S 9/1992 Washington
 5,802,828 A 9/1998 Adorno
 5,931,076 A 8/1999 Ryan
 D485,420 S * 1/2004 Cannon D11/90
 D485,903 S 1/2004 Hsu
 7,153,167 B1 12/2006 Switzer
 7,240,599 B2 7/2007 Nolan
 7,311,425 B2 12/2007 Jervey
 D560,019 S * 1/2008 Myers, Jr. D26/128
 D567,436 S 4/2008 Bentivoglio et al.
 7,591,675 B2 9/2009 Ratican
 7,628,504 B2 12/2009 Glickman
 7,652,211 B2 1/2010 Globus et al.
 D612,974 S 3/2010 Guercio et al.
 D647,862 S 11/2011 Sieff
 8,128,259 B2 3/2012 Myers et al.
 8,376,777 B2 2/2013 Smith
 D679,253 S 4/2013 Lin
 D679,851 S 4/2013 Smith
 D698,478 S 1/2014 Randolph et al.
 8,672,496 B2 3/2014 O’Kane
 D736,453 S * 8/2015 Motzkin D26/128
 D775,757 S * 1/2017 Anastasiades D26/88
 2002/0182917 A1 12/2002 Kerr
 2006/0274536 A1 12/2006 Hagen
 2007/0127234 A1 6/2007 Jervey
 2008/0278958 A1 11/2008 Jiang
 2009/0241854 A1 10/2009 Hurwitz
 2011/0242814 A1 10/2011 Markle et al.
 2012/0272816 A1 11/2012 Ueda et al.
 2013/0033872 A1 2/2013 Randolph et al.
 2013/0153731 A1 6/2013 Engstrom et al.

2013/0333943 A1 12/2013 Tanaka et al.
 2014/0036517 A1 2/2014 Machiorlette
 2014/0071687 A1 3/2014 Tickner et al.
 2014/0092606 A1 4/2014 Potucek et al.
 2014/0268768 A1 9/2014 Holland et al.
 2015/0129297 A1 5/2015 Hanazaki
 2015/0176772 A1 6/2015 Martins et al.
 2016/0155533 A1 6/2016 Omoto
 2016/0245432 A1 8/2016 Fonfara et al.

FOREIGN PATENT DOCUMENTS

CA 2754514 A1 4/2012
 CA 2766601 7/2014
 CN 104255554 A 1/2015
 DE 3421599 A1 12/1985
 DE 10261305 A1 7/2004
 EP 1983255 A1 10/2008
 JP 2014157250 A 8/2014
 WO 2015097136 A1 7/2015

OTHER PUBLICATIONS

USPTO; Office Action to U.S. Appl. No. 14/601,301; Issued Aug. 31, 2016, 37 pgs.
 USPTO; Office Action to U.S. Appl. 14/725,062; Issued Sep. 1, 2016, 31 pgs.
 Stainless Steel Braided Sleeving www.cableorganizer.com. Cite crawled and recorded on Mar. 19, 2014, found at: http://www.tineye.com/search/70d87d79583e8760a052d08b8fb71_a2b9a0fc396/.
 SY Steel Wire Braid Armoured Flexible PVC Control Cable: 2.5mm 3 Core www.uk.shopping.com. Cite crawled and recorded on Nov. 11, 2009, found at: http://www.tineye.com/search/55aa23d9c74b66be84ef2784c9ec21_0255d01252/.

* cited by examiner

FIG. 1

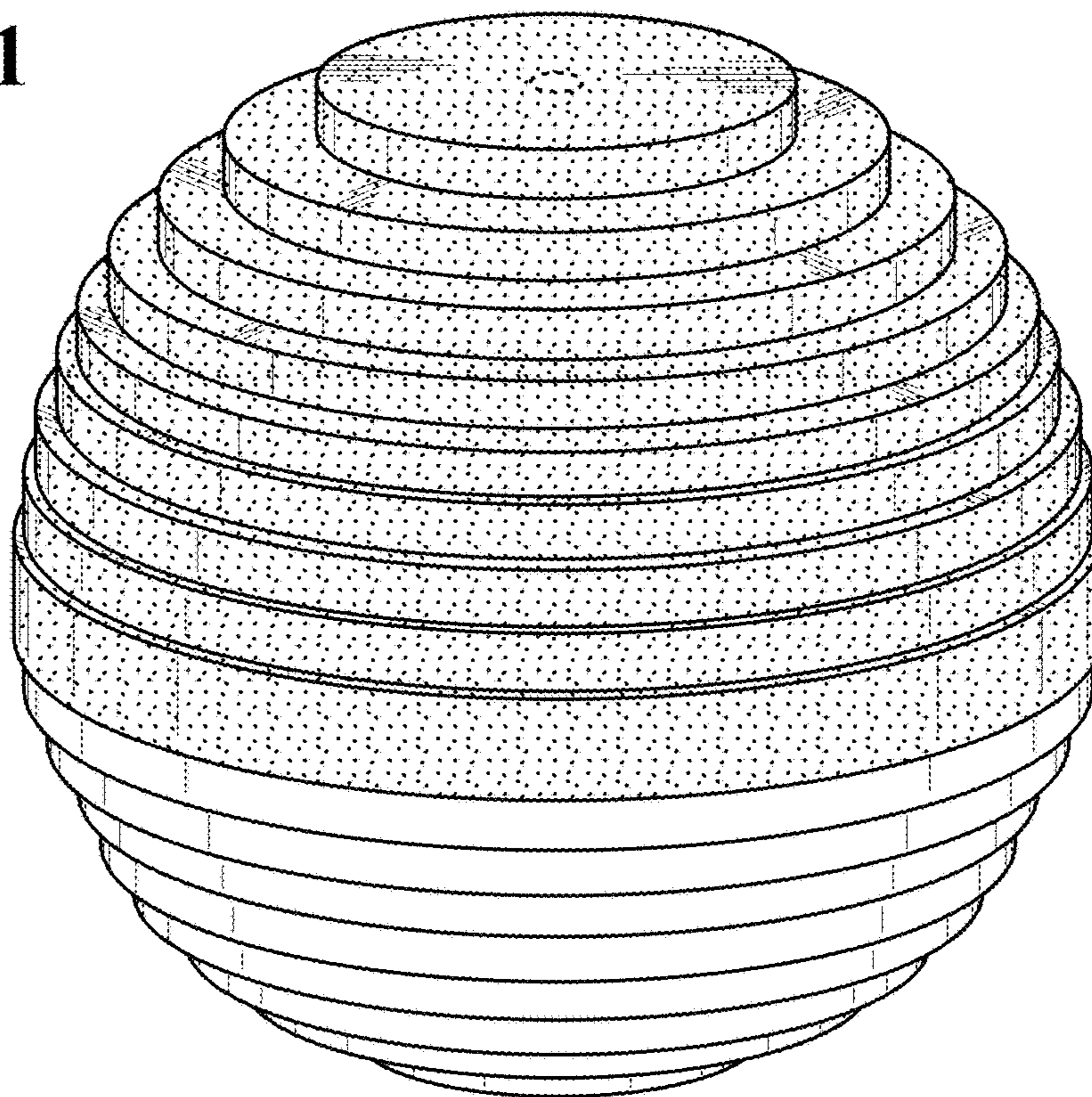


FIG. 2

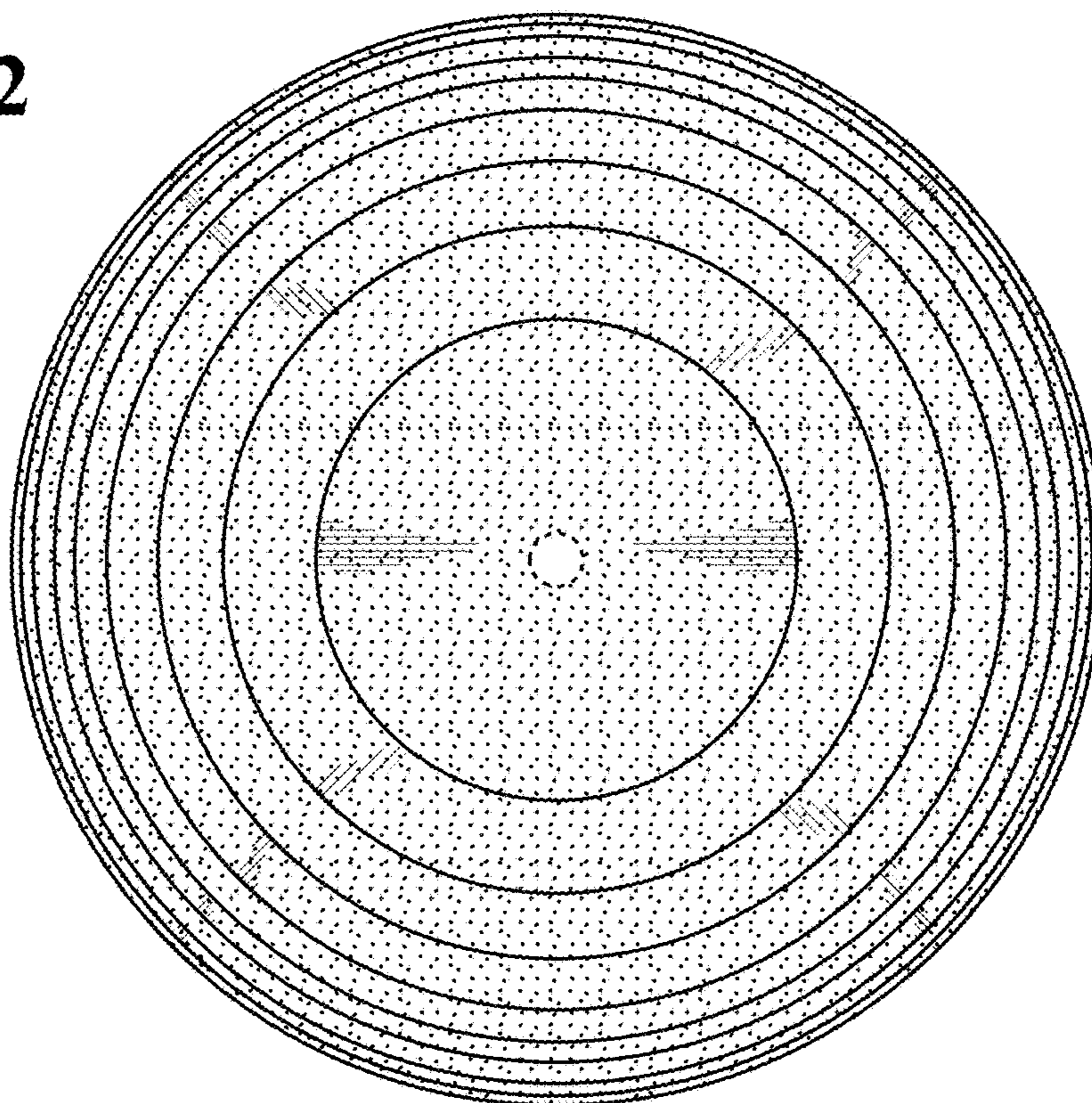


FIG. 3

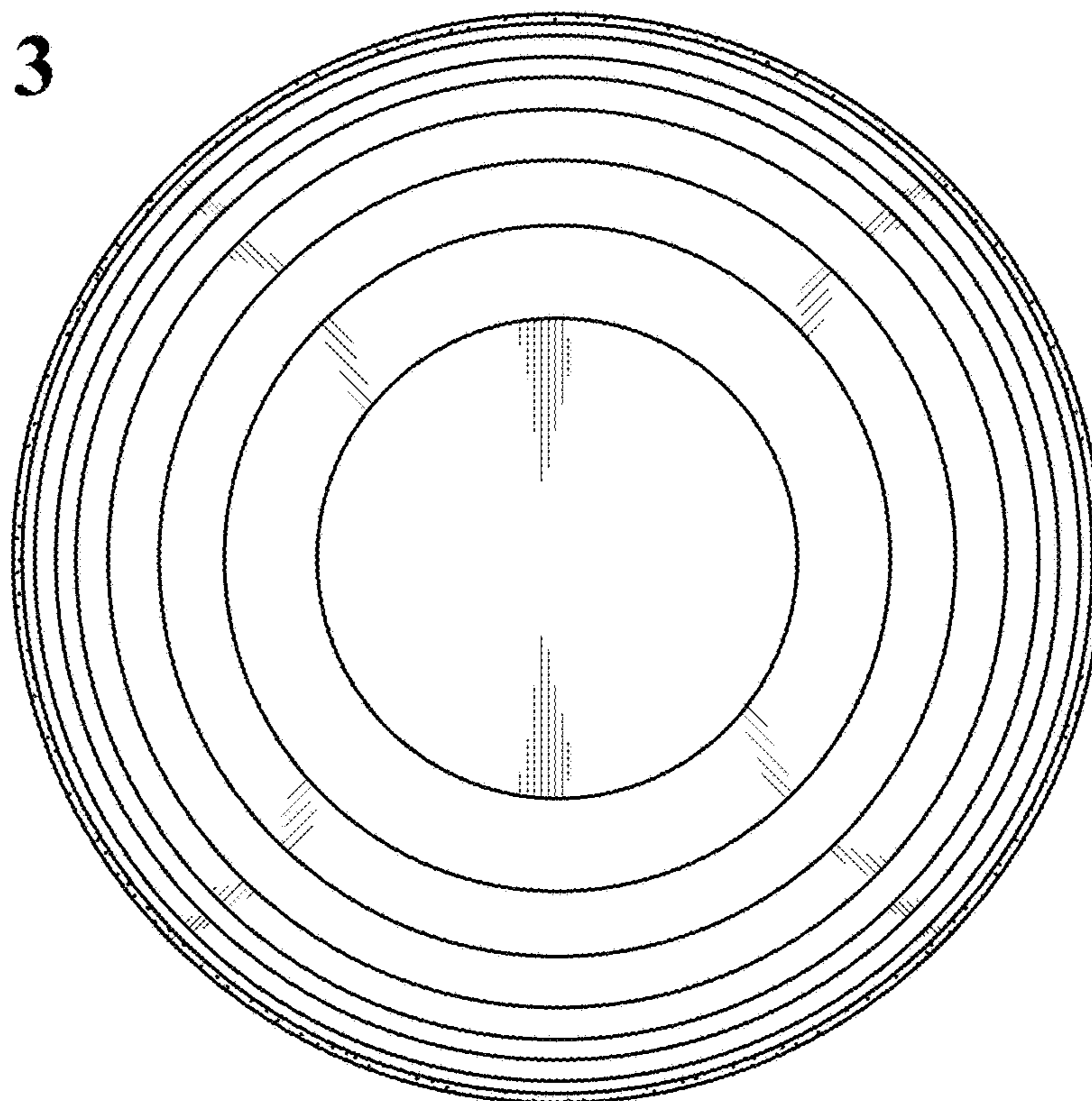


FIG. 4

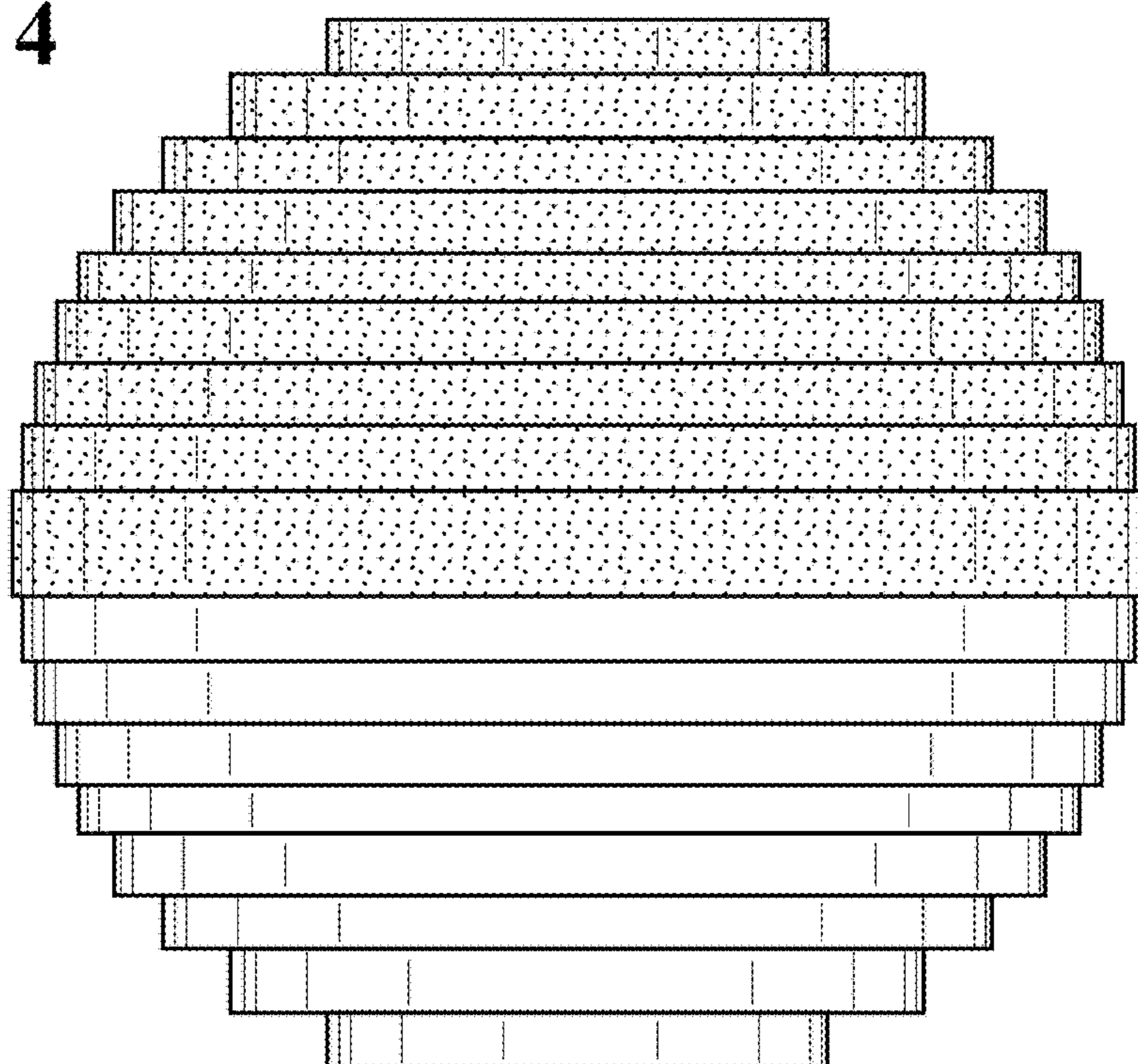


FIG. 5

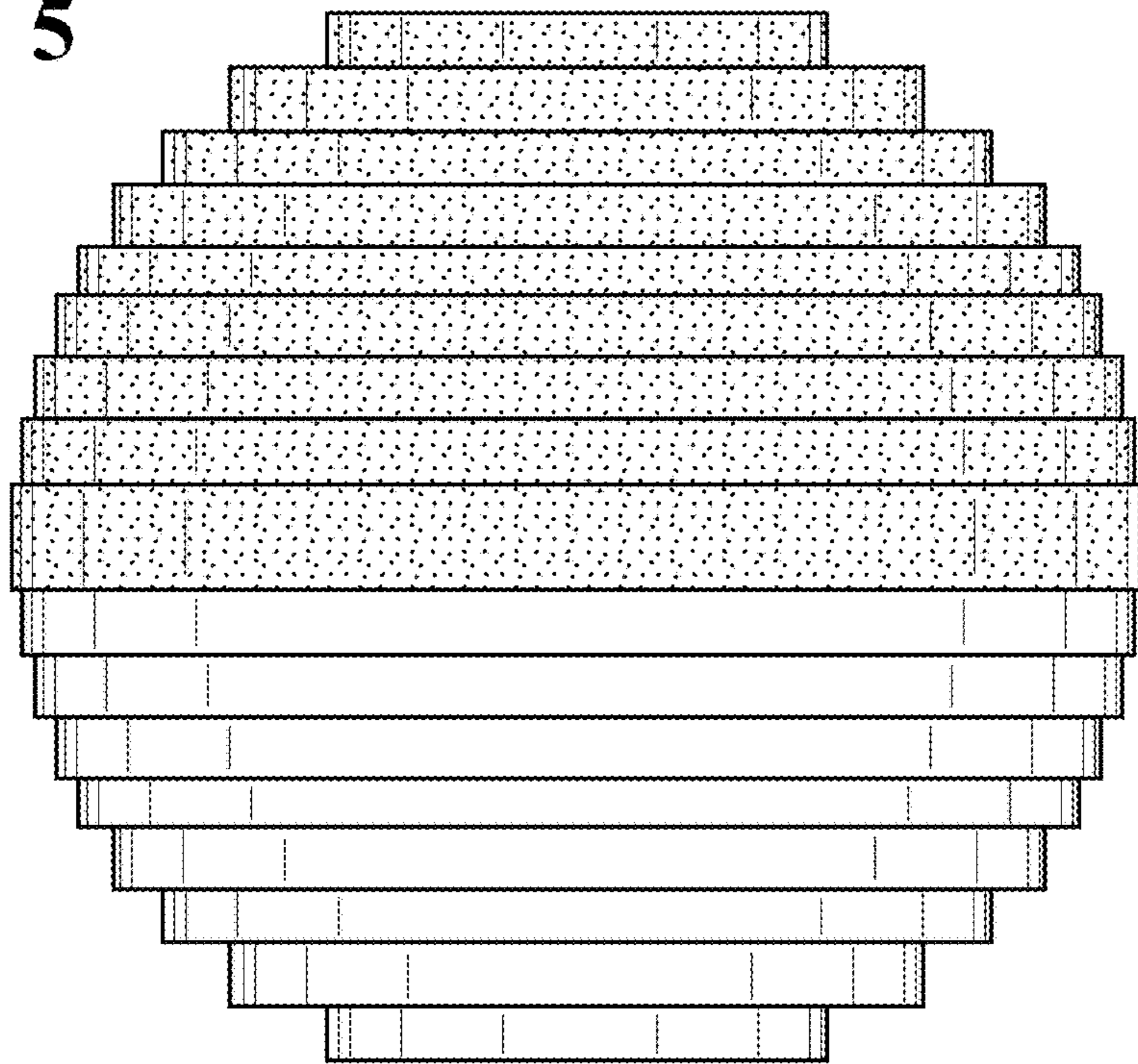


FIG. 6

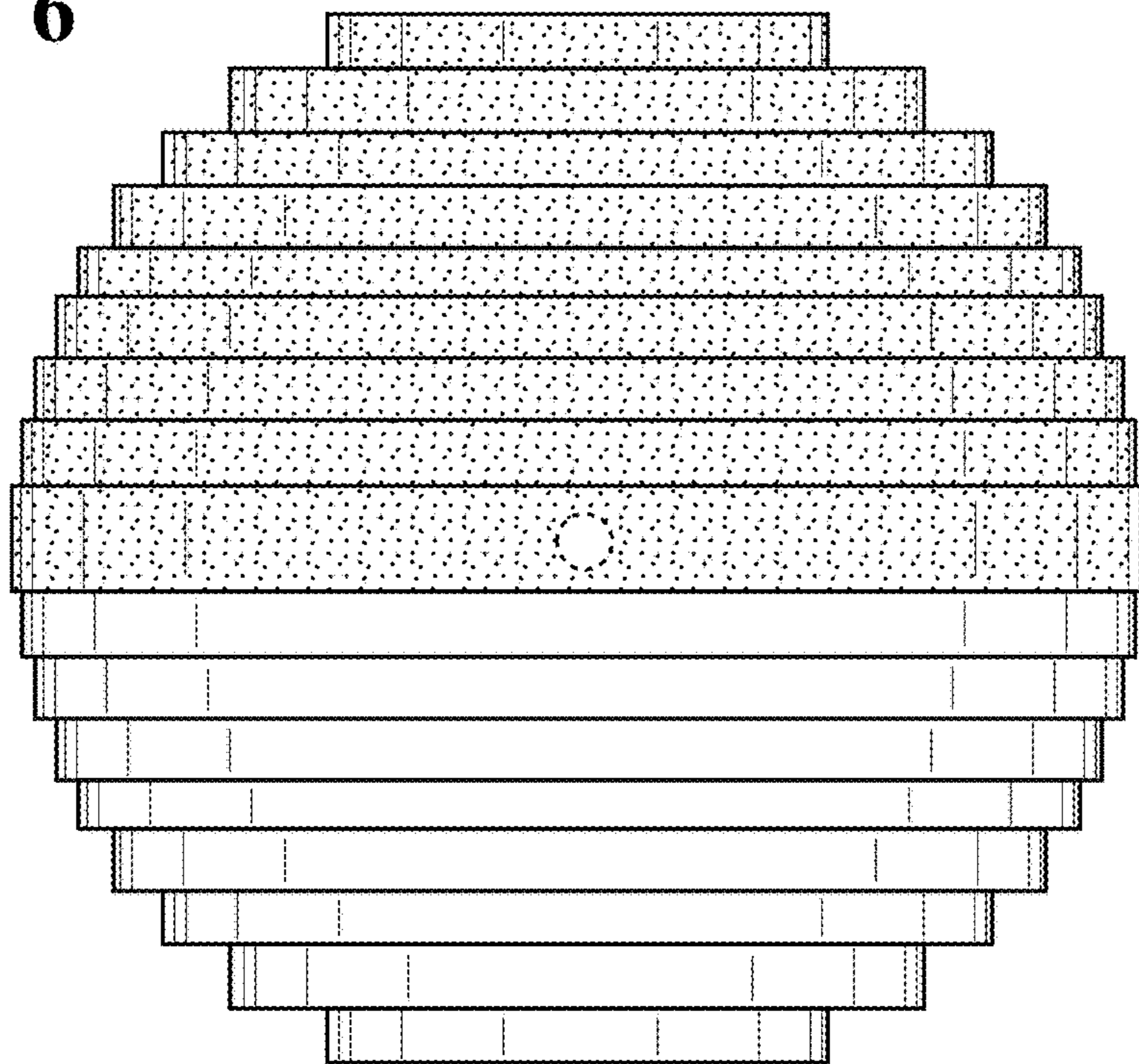


FIG. 7

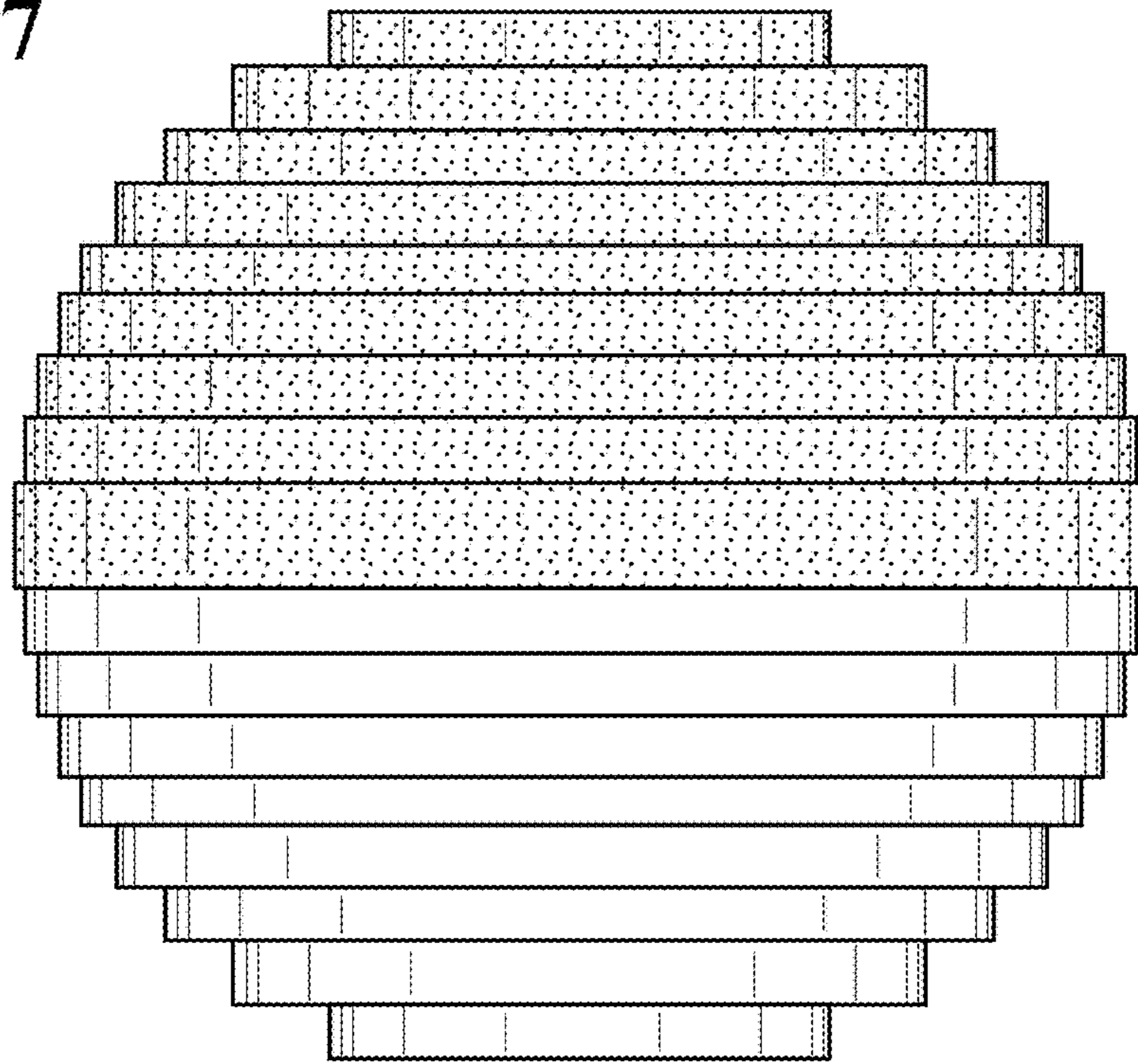


FIG. 8

