



US00D791394S

(12) **United States Design Patent** (10) **Patent No.:** **US D791,394 S**
Rashidi Doust (45) **Date of Patent:** **** Jul. 4, 2017**

(54) **DISC INSERT FOR A LIGHTING ASSEMBLY**

(71) Applicant: **ELITE LIGHTING**, Commerce, CA (US)

(72) Inventor: **Hamid Rashidi Doust**, Beverly Hills, CA (US)

(**) Term: **15 Years**

(21) Appl. No.: **29/544,920**

(22) Filed: **Nov. 6, 2015**

(51) **LOC (10) Cl.** **26-99**

(52) **U.S. Cl.**
USPC **D26/113; D8/354**

(58) **Field of Classification Search**
USPC D8/48, 71, 315-322, 354-355, 378-381, D8/400-499; D12/420, 223; D25/119-125, 199
CPC F16L 1/00; F16L 9/00; F16L 13/00; F16L 2101/00; B25H 3/04; A61B 1/00; A61B 17/00; A61B 2217/00; A61B 2218/00; H02G 1/00; H02G 2200/00; A47F 1/00; H02J 1/00
See application file for complete search history.

(56) **References Cited**

U.S. PATENT DOCUMENTS

- 2,352,591 A * 6/1944 Wallerstein, Jr. F16F 1/424 248/27.1
- 2,496,928 A * 2/1950 Bing F16L 37/248 285/192
- 4,037,680 A * 7/1977 Grove B62D 49/0635 180/254
- 4,174,532 A * 11/1979 Kelley A45B 3/04 362/102
- 4,784,046 A * 11/1988 Gautier B60T 13/5675 248/222.41
- D368,850 S * 4/1996 Coppedge D8/354
- 6,105,334 A 8/2000 Monson
- 6,226,939 B1 5/2001 Atkins

- 7,320,536 B2 1/2008 Petrakis
- 7,670,033 B2 3/2010 Steer
- D671,668 S * 11/2012 Rowlette, Jr. D26/74
- D694,456 S * 11/2013 Rowlette, Jr. D26/74
- 2010/0226139 A1* 9/2010 Lynch F21S 8/02 362/373

(Continued)

FOREIGN PATENT DOCUMENTS

- EP 2484968 8/2012
- GB 2270936 3/1994

(Continued)

OTHER PUBLICATIONS

Jan Willem Boon—parts for your Harley-Davidson / Buell motorcycle—database, posted unknown, [retrieved Mar. 3, 2017]. Retrieved from Internet, <URL: https://www.jwboon.com/index2.php?content=https%3A/www.jwboon.com/dbhtml/catalog/Bool_AND/Fits_FXR/Section_frame>.*

(Continued)

Primary Examiner — Barbara Fox
Assistant Examiner — Kristin E Reed
(74) *Attorney, Agent, or Firm* — Payam Moradian

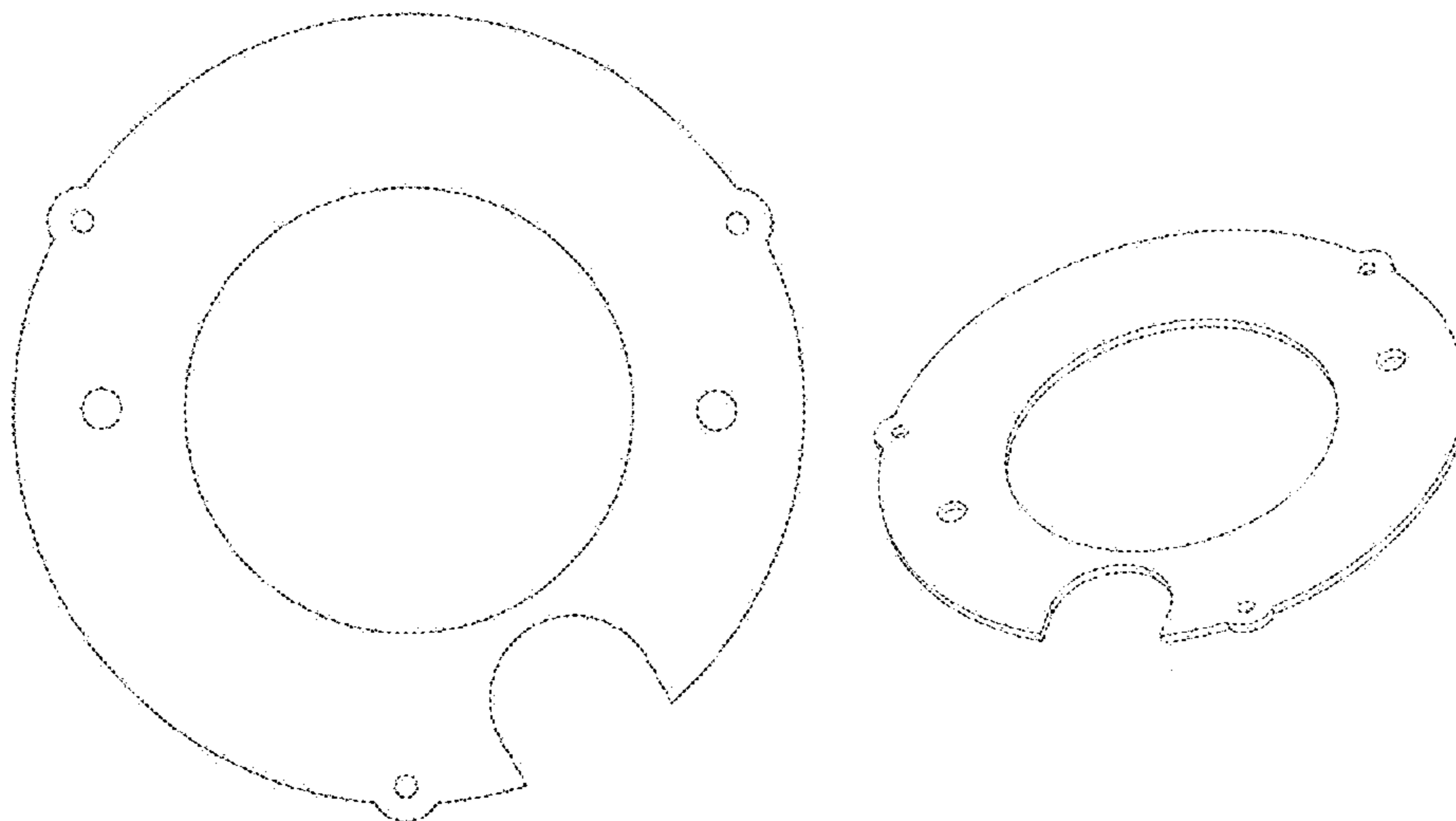
(57) **CLAIM**

The ornamental design for a disc insert for a lighting assembly, as shown and described.

DESCRIPTION

FIG. 1 is a top view of a disc insert for a lighting assembly showing the new design;
FIG. 2 is a bottom view thereof;
FIG. 3 is a front view thereof;
FIG. 4 is a back view thereof;
FIG. 5 is a right view thereof;
FIG. 6 is a left view thereof; and,
FIG. 7 is a perspective view thereof.

1 Claim, 7 Drawing Sheets



(56)

References Cited

U.S. PATENT DOCUMENTS

2010/0296272 A1* 11/2010 Roos F21S 8/026
362/147
2016/0238226 A1* 8/2016 Rashidi Doust F21V 25/125

FOREIGN PATENT DOCUMENTS

GB 2415245 12/2005
GB 254449 5/2009

OTHER PUBLICATIONS

Brey Krause 2.5mm Hub-Centric Wheel Spacers Porsche 911 All Models 65-04[R-5010-025], posted unknown, [retrieved Mar. 3, 2017]. Retrieved from Internet, <URL: <https://www.horsepowerfreaks.com/brey-krause-25mm-hub-centric-wheel-spacers-porsche-911-all-models-65-04-p-150713674.html> >.*
U.S. Appl. No. 14/555,029, filed Nov. 2014, entitled "Downlight Firestop."

* cited by examiner

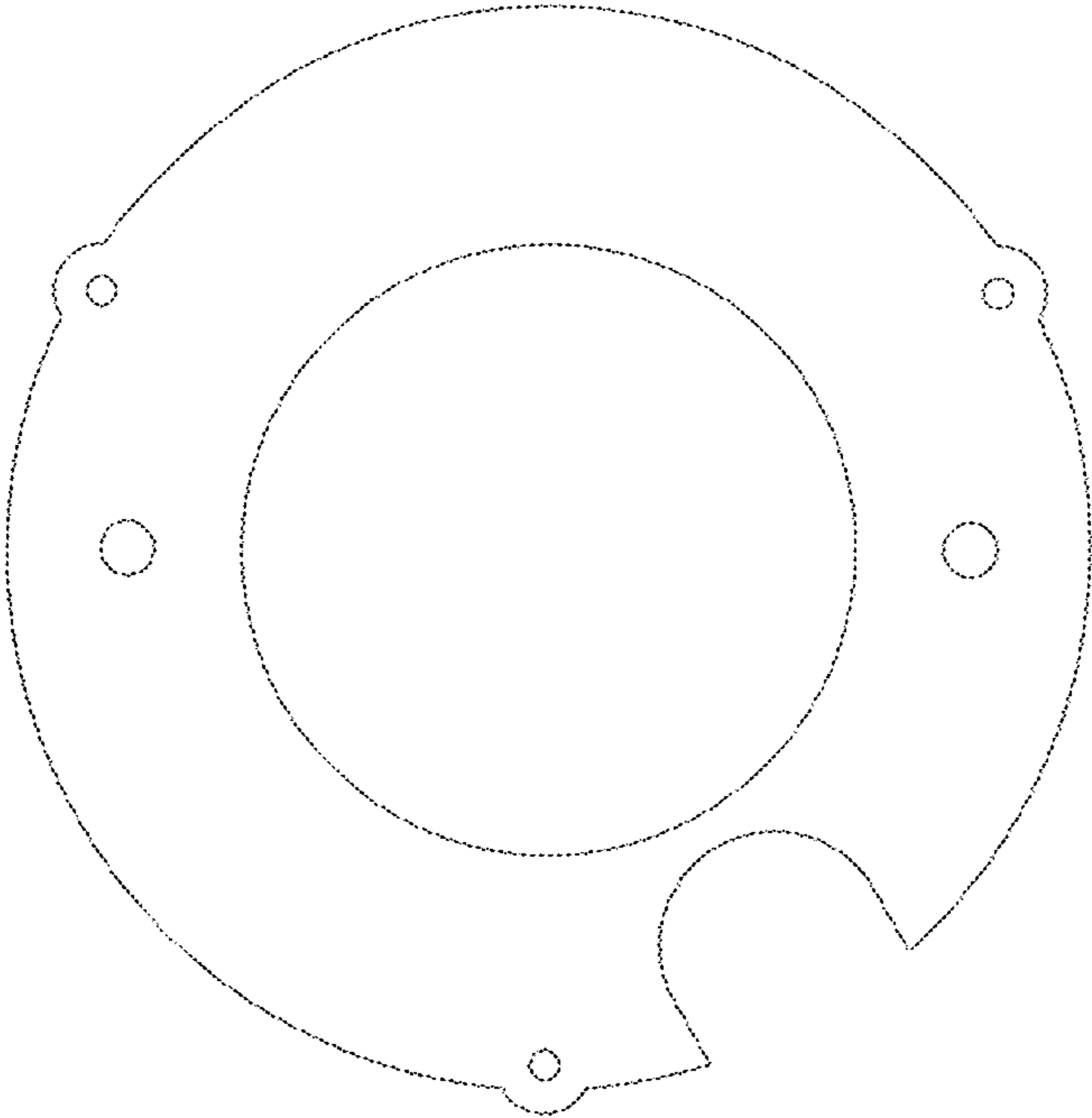


FIG-1

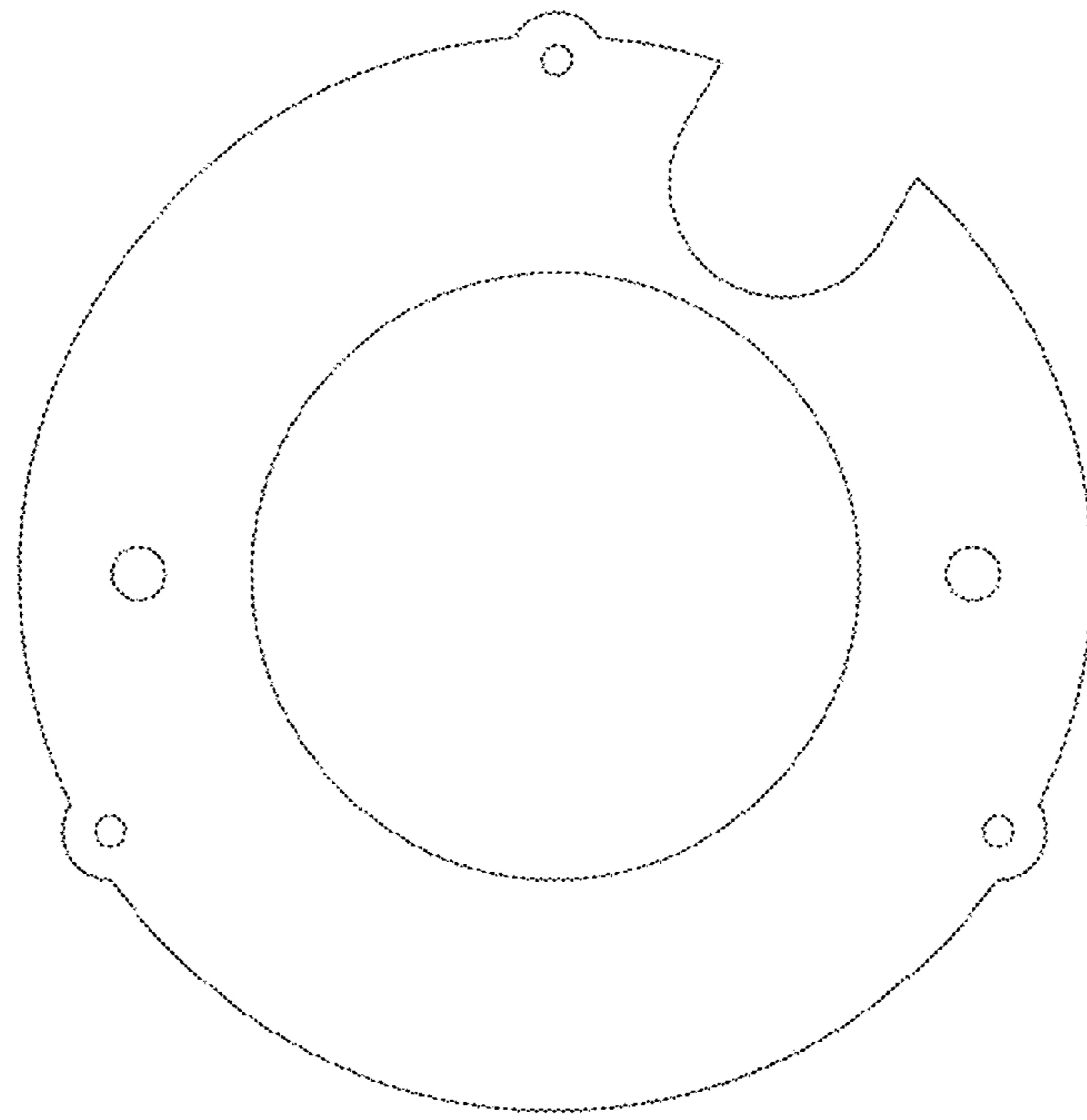


FIG-2

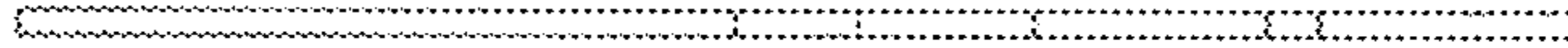


FIG-3

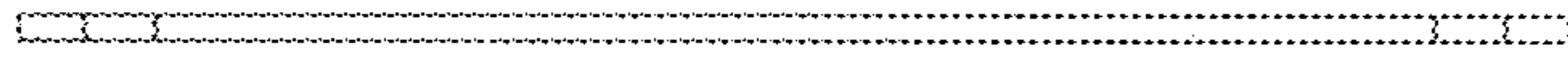


FIG-4

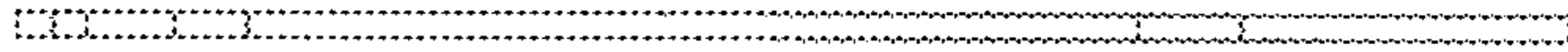


FIG-5

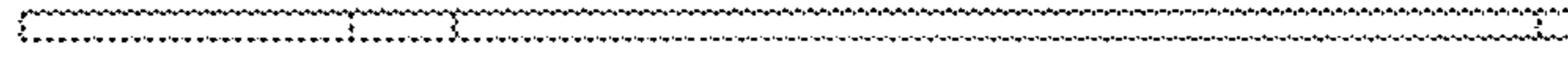


FIG-6

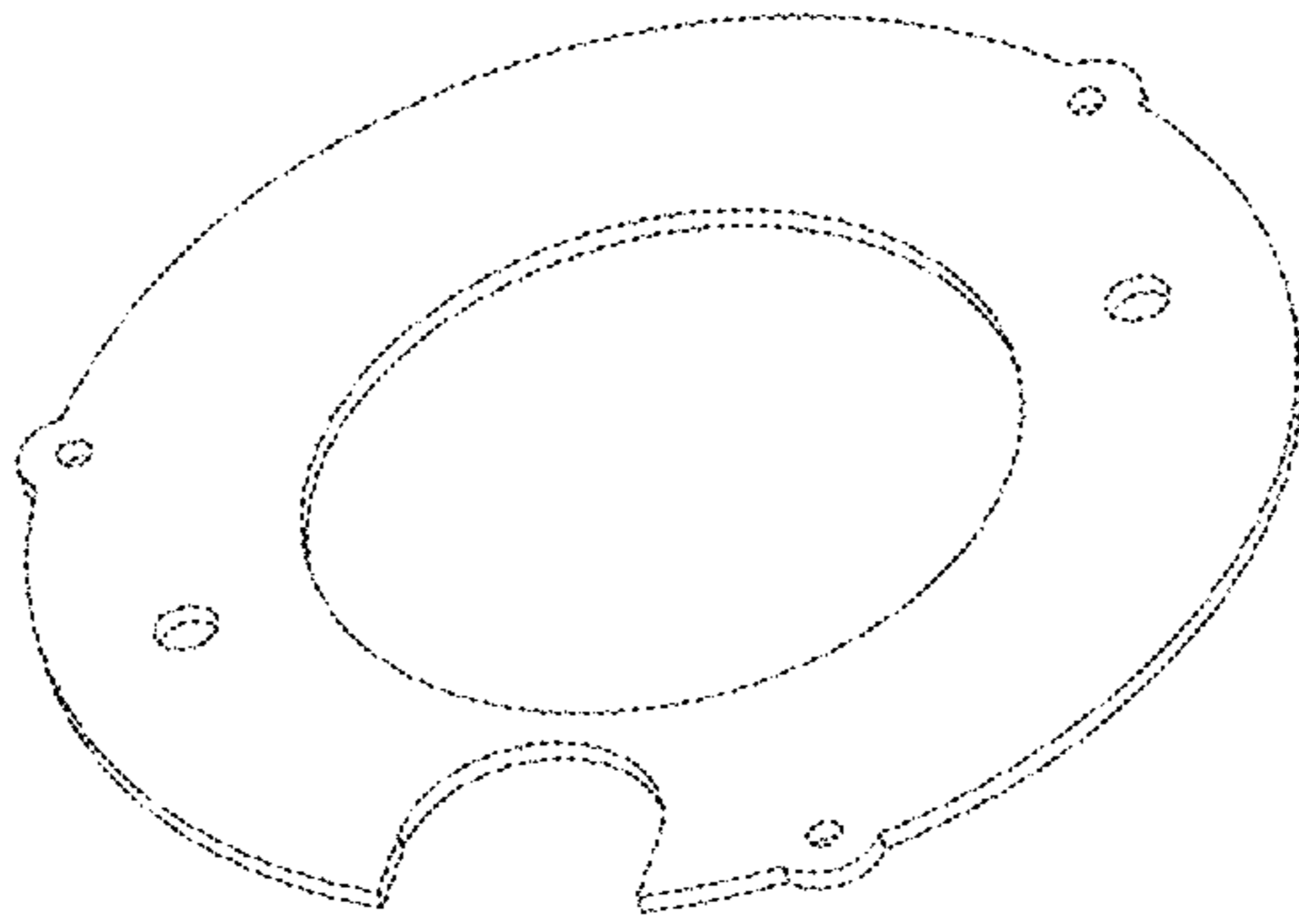


FIG-7