



US00D791392S

(12) **United States Design Patent**  
**Li**

(10) **Patent No.:** **US D791,392 S**  
(45) **Date of Patent:** **\*\* Jul. 4, 2017**

(54) **ELECTRONIC CANDLE HAVING A TOP SCENT CONTAINER AND A CHARGING BASE**

(71) Applicant: **Xiaofeng Li**, Shenzhen (CN)

(72) Inventor: **Xiaofeng Li**, Shenzhen (CN)

(\*\*) Term: **15 Years**

(21) Appl. No.: **29/570,558**

(22) Filed: **Jul. 8, 2016**

(51) **LOC (10) Cl.** ..... **26-03**

(52) **U.S. Cl.**  
USPC ..... **D26/96**

(58) **Field of Classification Search**  
USPC ..... D26/4, 5, 6, 7, 9, 22, 96  
CPC .... F21S 6/00; F21S 6/001; F21S 10/04; F21S 10/10; F21S 10/043; F21S 8/08; F21S 48/115; F21V 21/00; F21V 35/00; F21W 2121/00; C11C 5/002; C11C 5/004; A61G 17/08; F23D 3/16  
See application file for complete search history.

(56) **References Cited**

**U.S. PATENT DOCUMENTS**

|                |        |           |       |                       |
|----------------|--------|-----------|-------|-----------------------|
| 5,927,964 A *  | 7/1999 | Fawcett   | ..... | F23D 3/16<br>431/126  |
| 6,785,939 B1 * | 9/2004 | James     | ..... | A61G 17/08<br>27/1    |
| 7,261,455 B2 * | 8/2007 | Schnuckle | ..... | F21S 6/001<br>362/161 |

|                |        |           |       |                       |
|----------------|--------|-----------|-------|-----------------------|
| D682,448 S *   | 5/2013 | Nugent    | ..... | D26/22                |
| D699,872 S *   | 2/2014 | Karpowicz | ..... | D26/22                |
| D704,868 S *   | 5/2014 | Sanders   | ..... | D26/22                |
| 8,783,888 B2 * | 7/2014 | McCavit   | ..... | F21S 10/04<br>362/162 |
| D747,027 S *   | 1/2016 | Smith     | ..... | D26/96                |
| D767,810 S *   | 9/2016 | Li        | ..... | D26/96                |

\* cited by examiner

*Primary Examiner* — Brian N Vinson

(74) *Attorney, Agent, or Firm* — Perkins Coie LLP

(57) **CLAIM**

The ornamental design for an electronic candle having a top scent container and a charging base, as shown and described.

**DESCRIPTION**

FIG. 1 is an isometric view of the top, front and right side of the electronic candle having a top scent container and a charging base;

FIG. 2 is an isometric view of the bottom, back and left side of the electronic candle of FIG. 1;

FIG. 3 is a top view of the electronic candle of FIG. 1;

FIG. 4 is a bottom view of the electronic candle of FIG. 1;

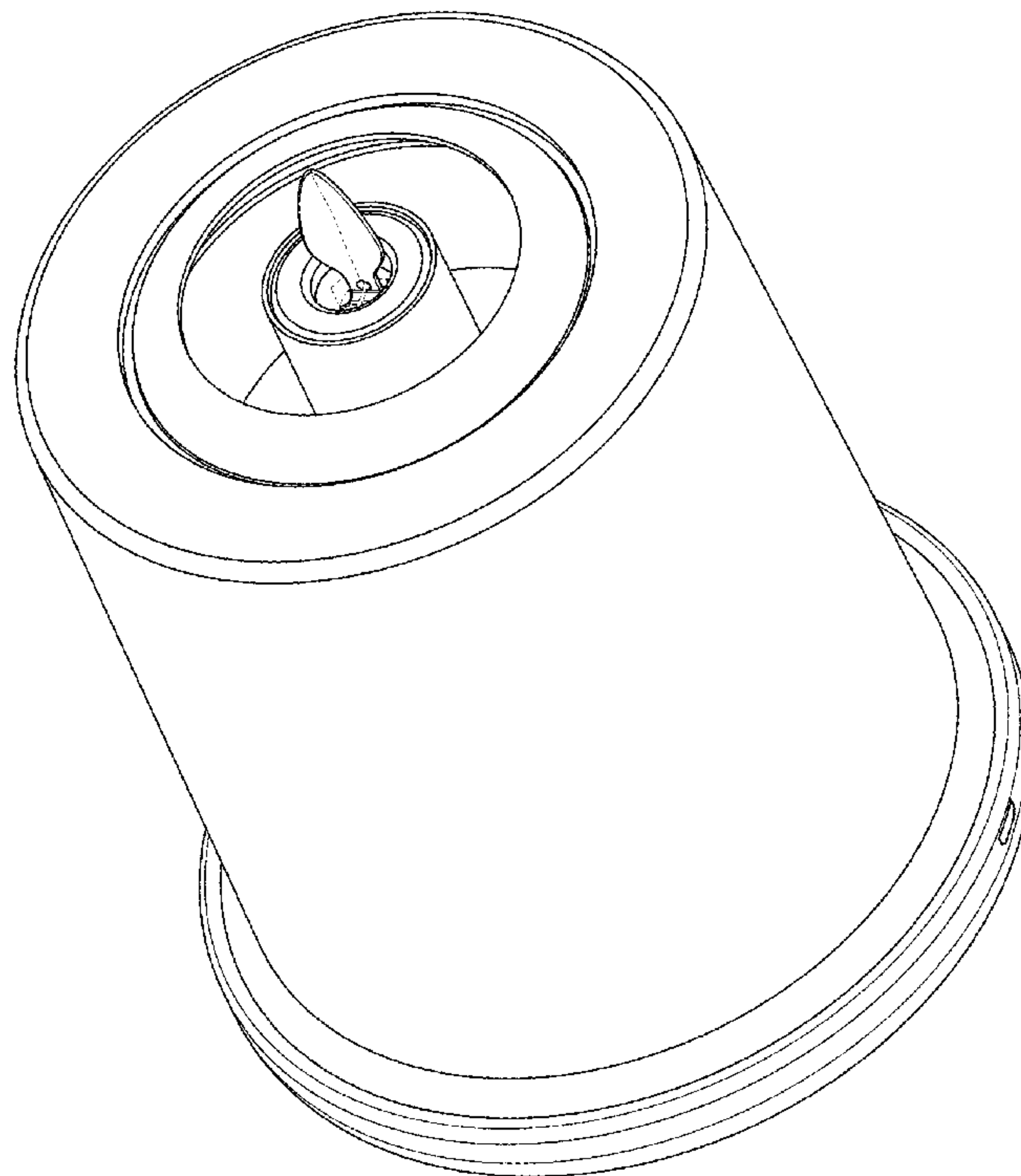
FIG. 5 is a front view of the electronic candle of FIG. 1;

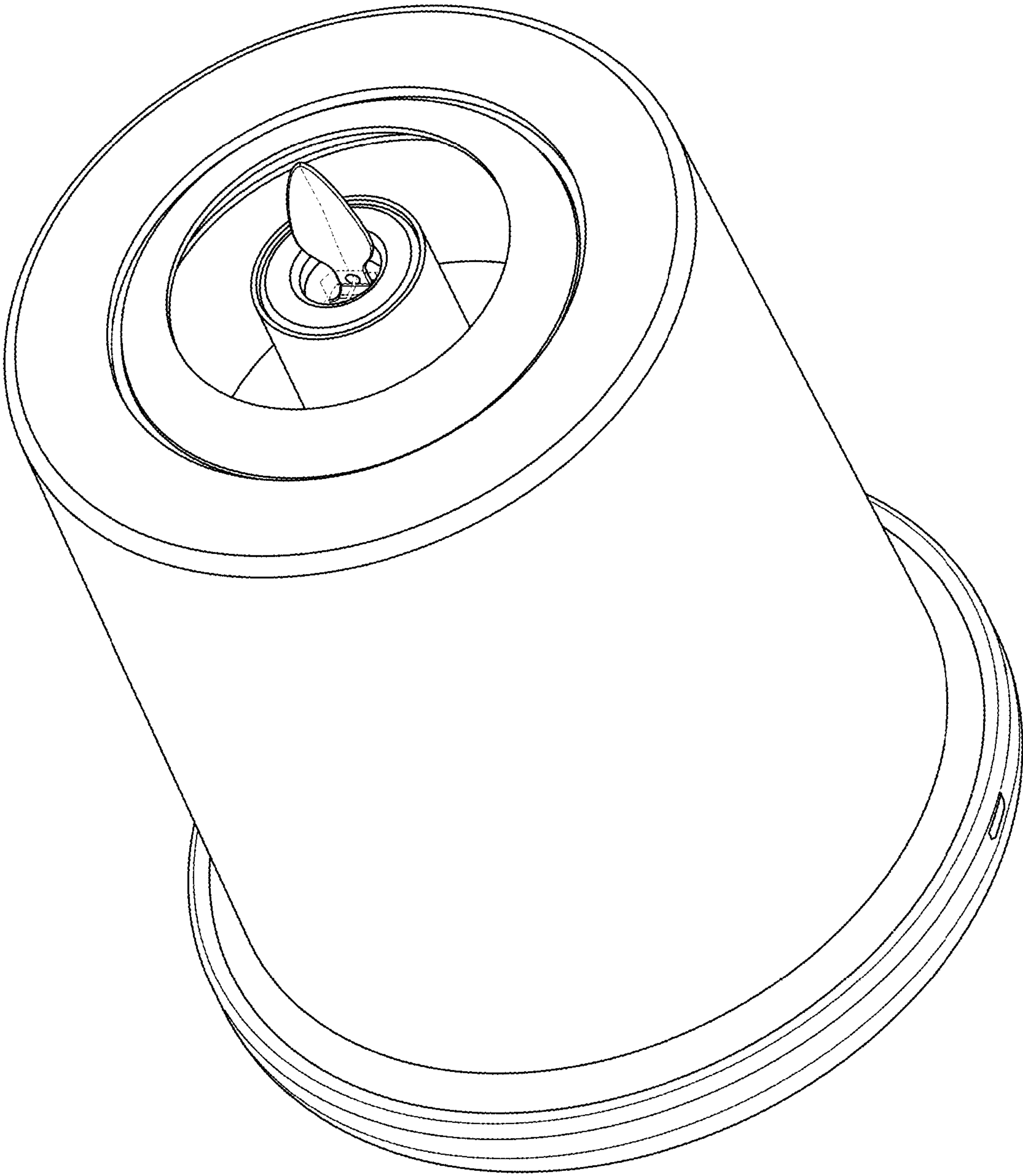
FIG. 6 is a right side view of the electronic candle of FIG. 1; and,

FIG. 7 is an isometric view of the top, front and right side of the electronic candle which also shows an electric cord connected to the base of the electronic candle of FIG. 1.

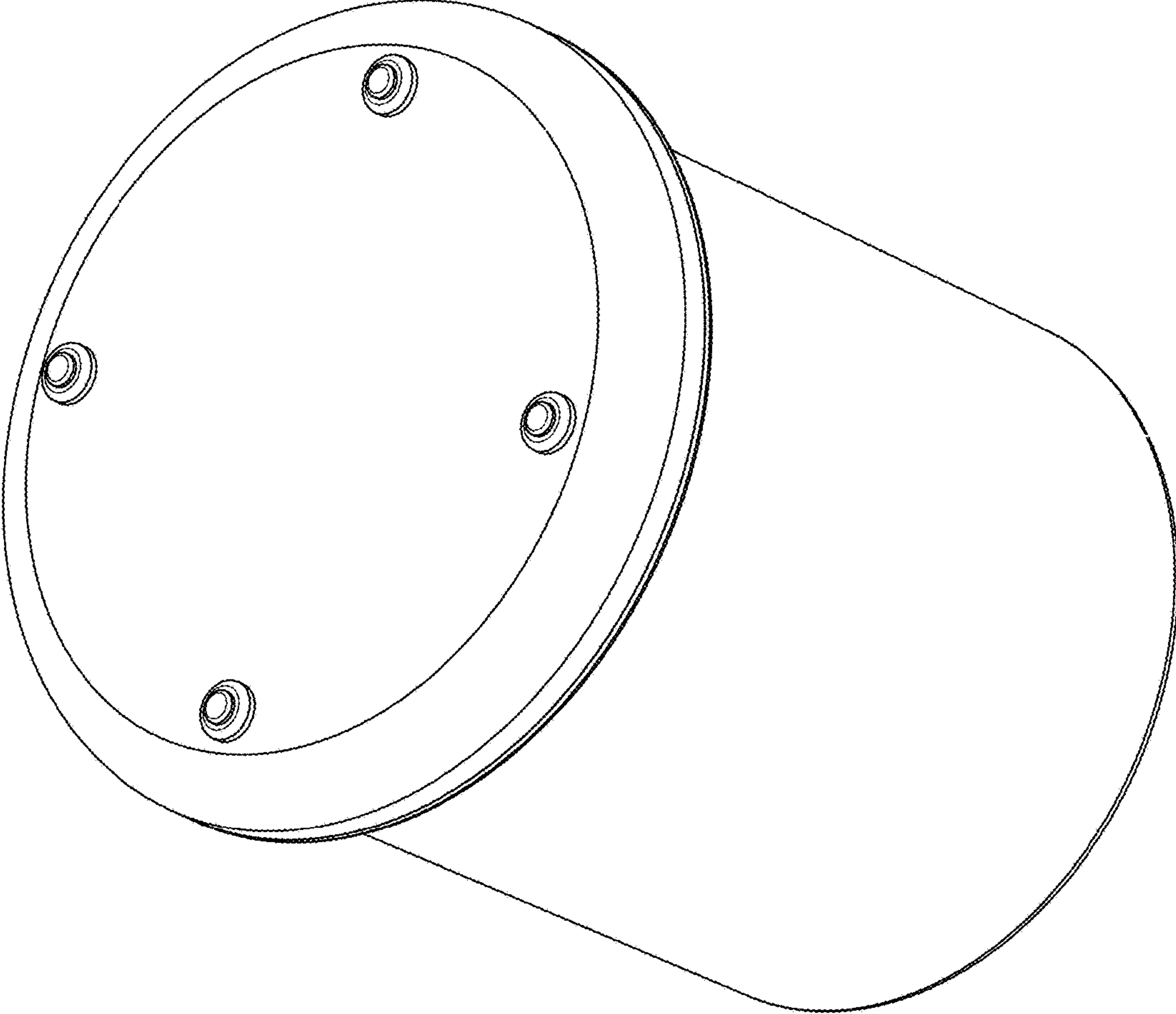
The broken-line disclosure represents portions of the electronic candle which form no part of the claimed design.

**1 Claim, 7 Drawing Sheets**

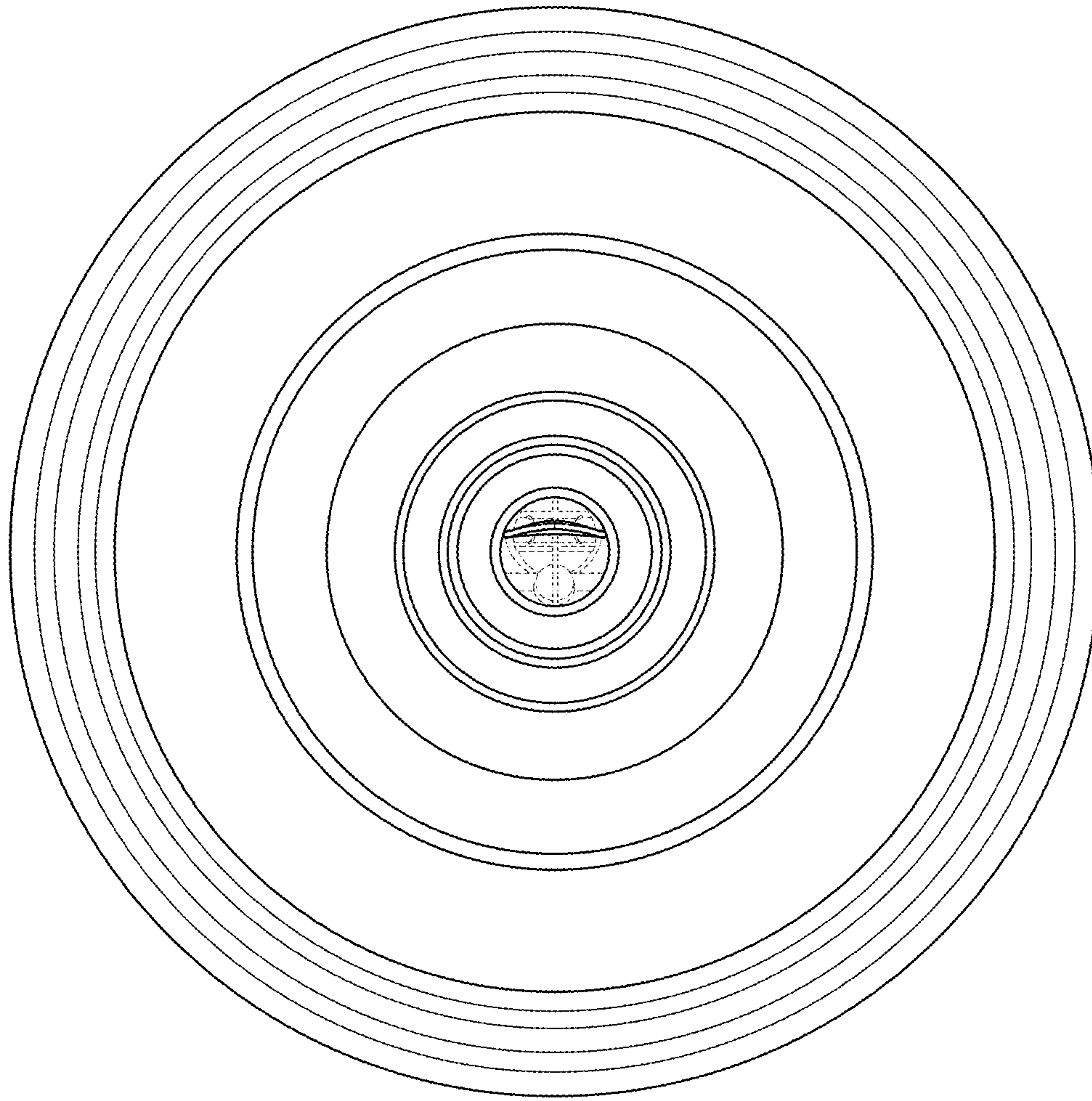




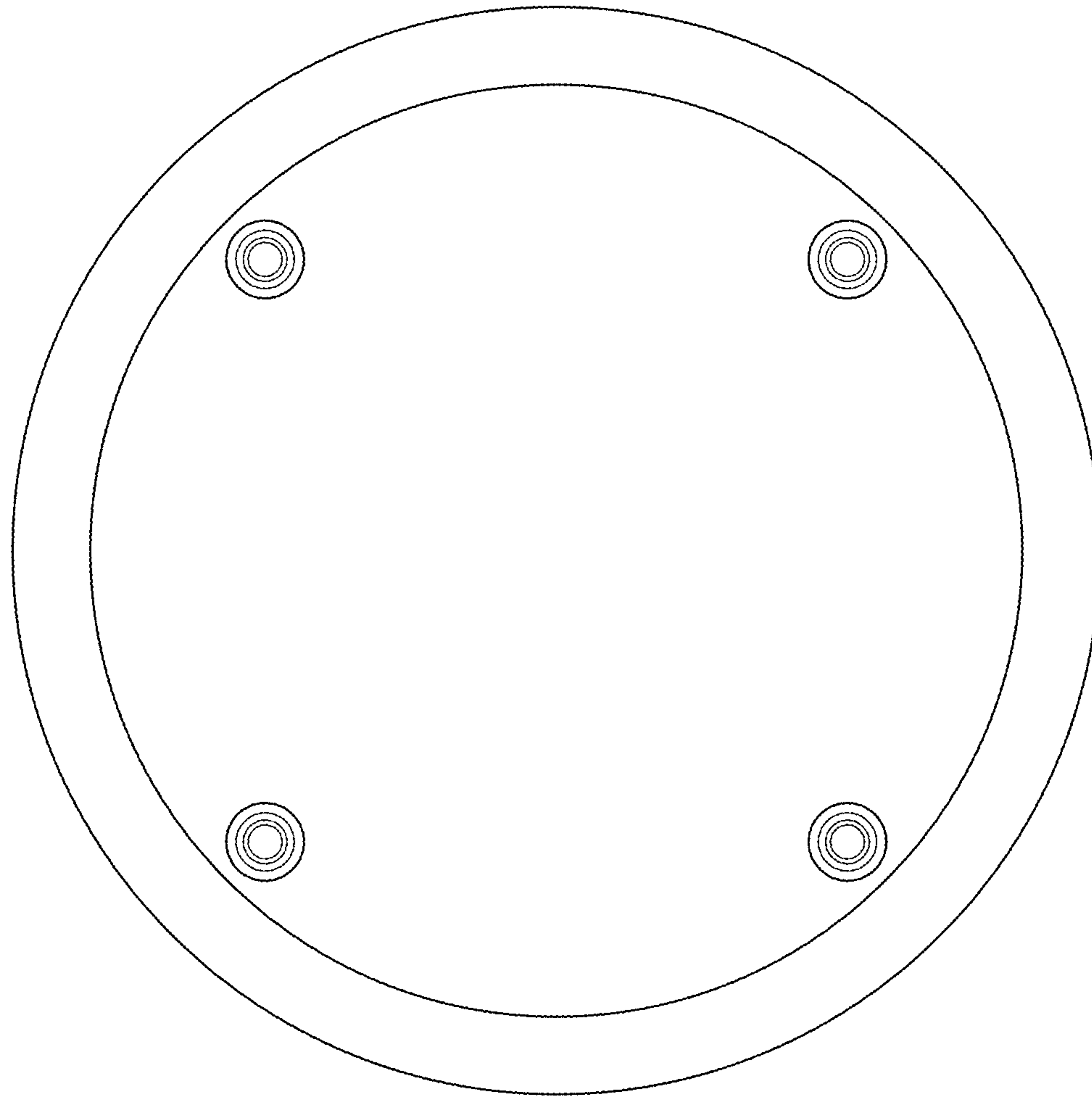
**FIG. 1**



**FIG. 2**

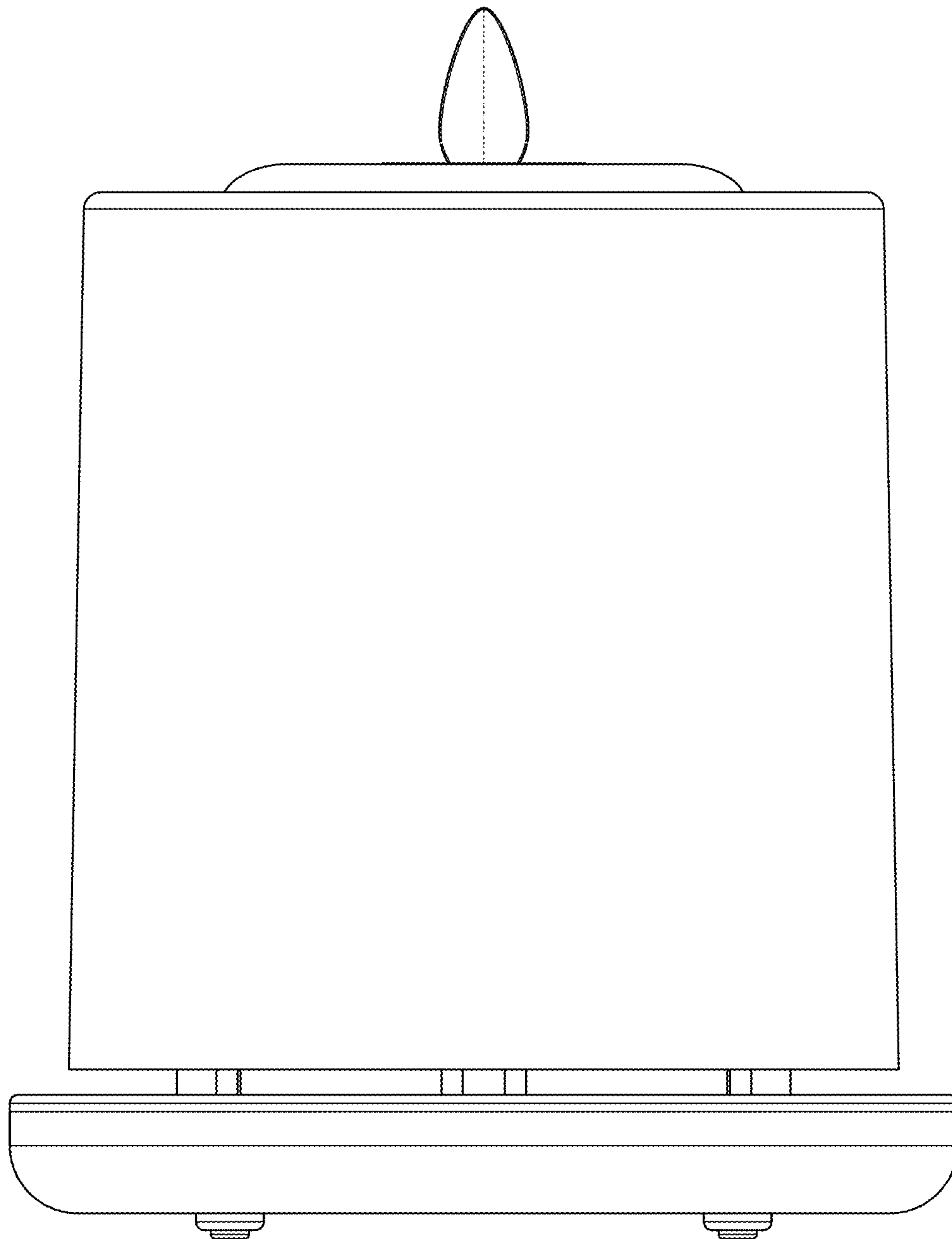


***FIG. 3***

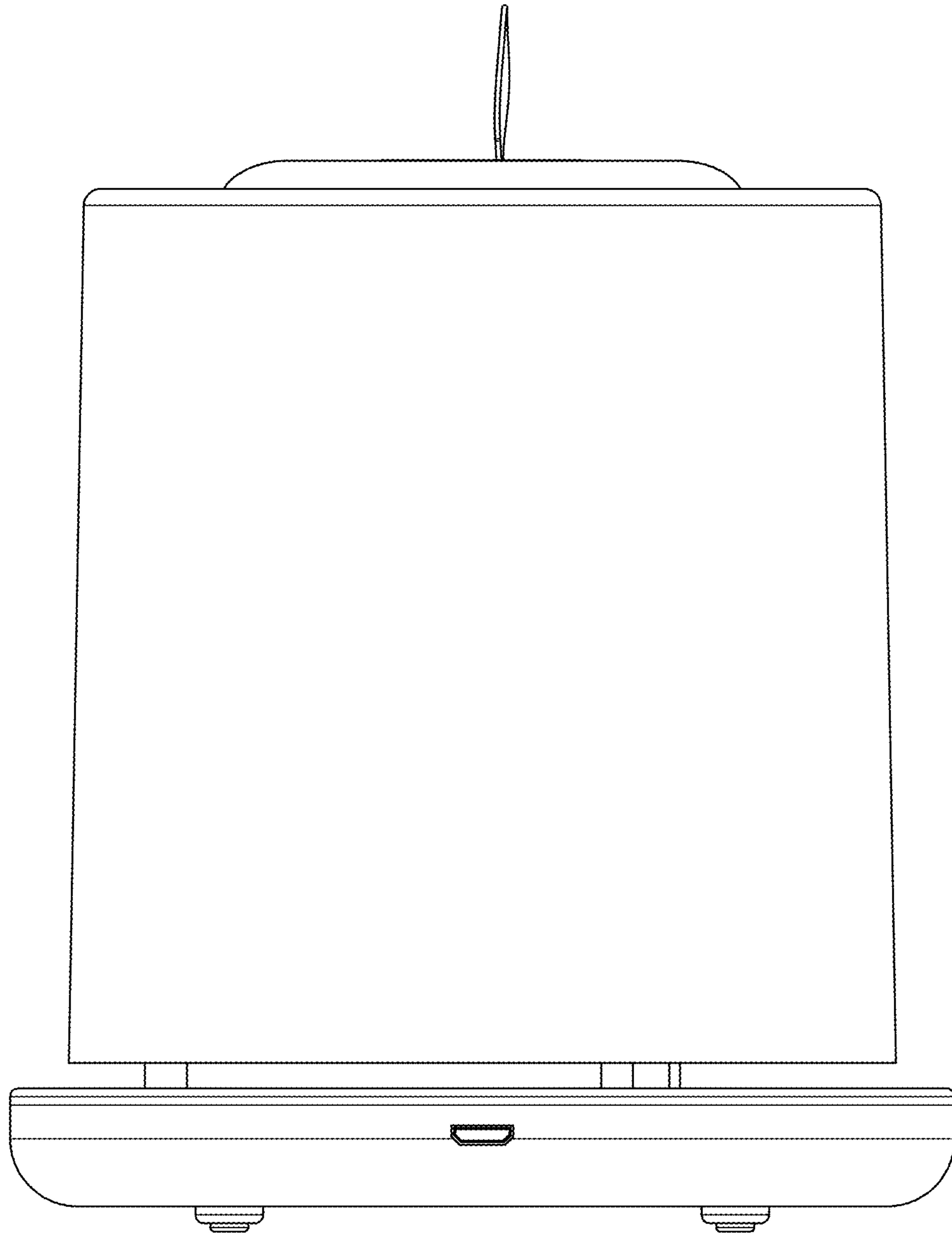


**FIG. 4**





**FIG. 5**



**FIG. 6**

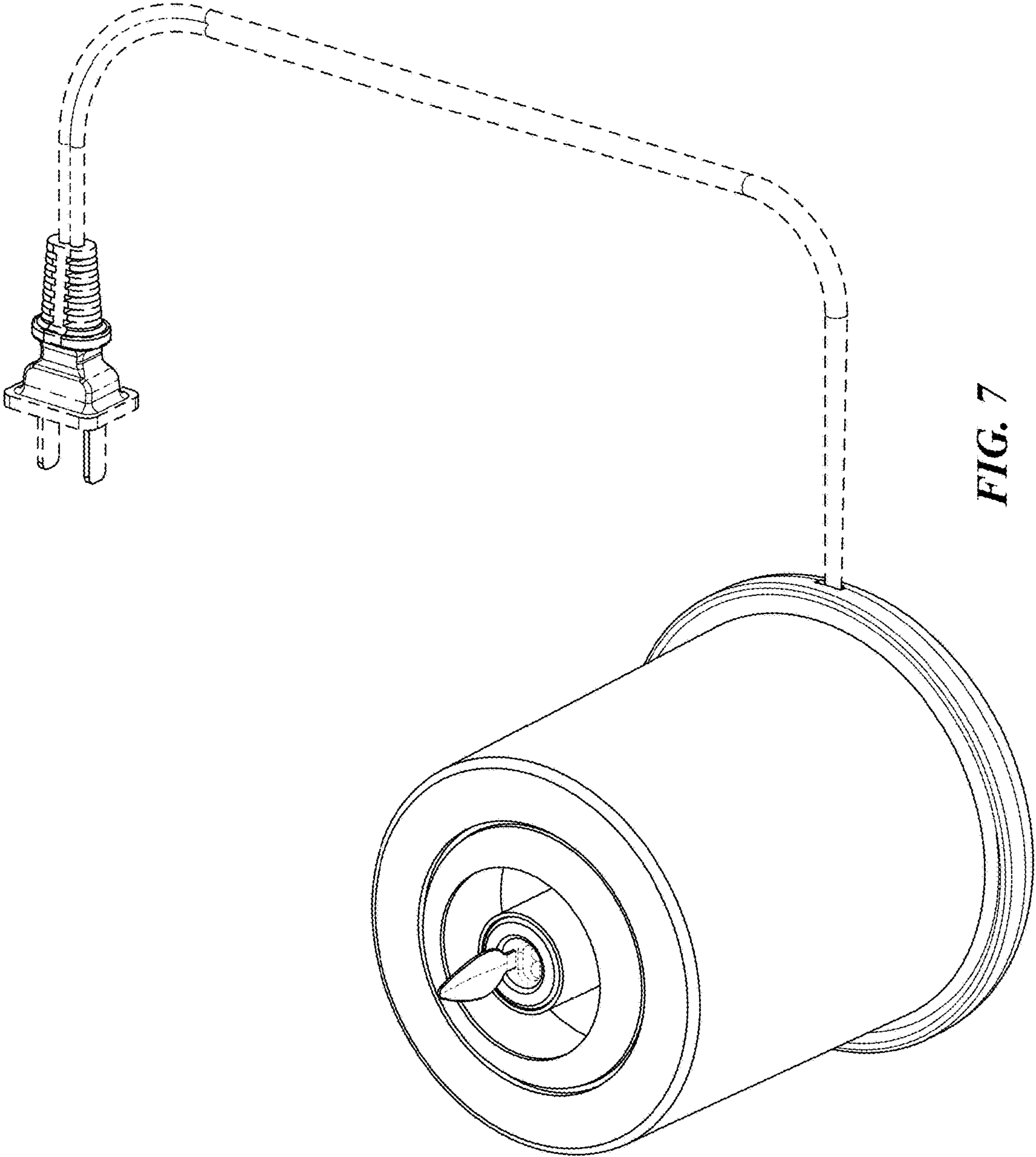


FIG. 7