

US00D791391S

(12) **United States Design Patent**  
**Li**

(10) **Patent No.:** **US D791,391 S**

(45) **Date of Patent:** **\*\* Jul. 4, 2017**

(54) **ELECTRONIC CANDLE HAVING A TOP SCENT CONTAINER**

(71) Applicant: **Xiaofeng Li**, Shenzhen (CN)

(72) Inventor: **Xiaofeng Li**, Shenzhen (CN)

(\*\*) Term: **15 Years**

(21) Appl. No.: **29/570,552**

(22) Filed: **Jul. 8, 2016**

(51) **LOC (10) Cl.** ..... **26-03**

(52) **U.S. Cl.**  
USPC ..... **D26/96**

(58) **Field of Classification Search**  
USPC ..... D26/4, 5, 6, 7, 9, 22, 96  
CPC .... F21S 6/00; F21S 6/001; F21S 10/04; F21S 10/10; F21S 10/043; F21S 8/08; F21S 48/115; F21V 21/00; F21V 35/00; F21W 2121/00; C11C 5/002; C11C 5/004; A61G 17/08; F23D 3/16

See application file for complete search history.

(56) **References Cited**

**U.S. PATENT DOCUMENTS**

- 5,927,964 A \* 7/1999 Fawcett ..... F23D 3/16 431/126
- 6,785,939 B1 \* 9/2004 James ..... A61G 17/08 27/1
- 7,261,455 B2 \* 8/2007 Schnuckle ..... F21S 6/001 362/161

- D682,448 S \* 5/2013 Nugent ..... D26/22
- D699,872 S \* 2/2014 Karpowicz ..... D26/22
- D704,868 S \* 5/2014 Sanders ..... D26/22
- 8,783,888 B2 \* 7/2014 McCavit ..... F21S 10/04 362/162
- D747,027 S \* 1/2016 Smith ..... D26/96
- D767,810 S \* 9/2016 Li ..... D26/96

\* cited by examiner

*Primary Examiner* — Brian N Vinson

(74) *Attorney, Agent, or Firm* — Perkins Coie LLP

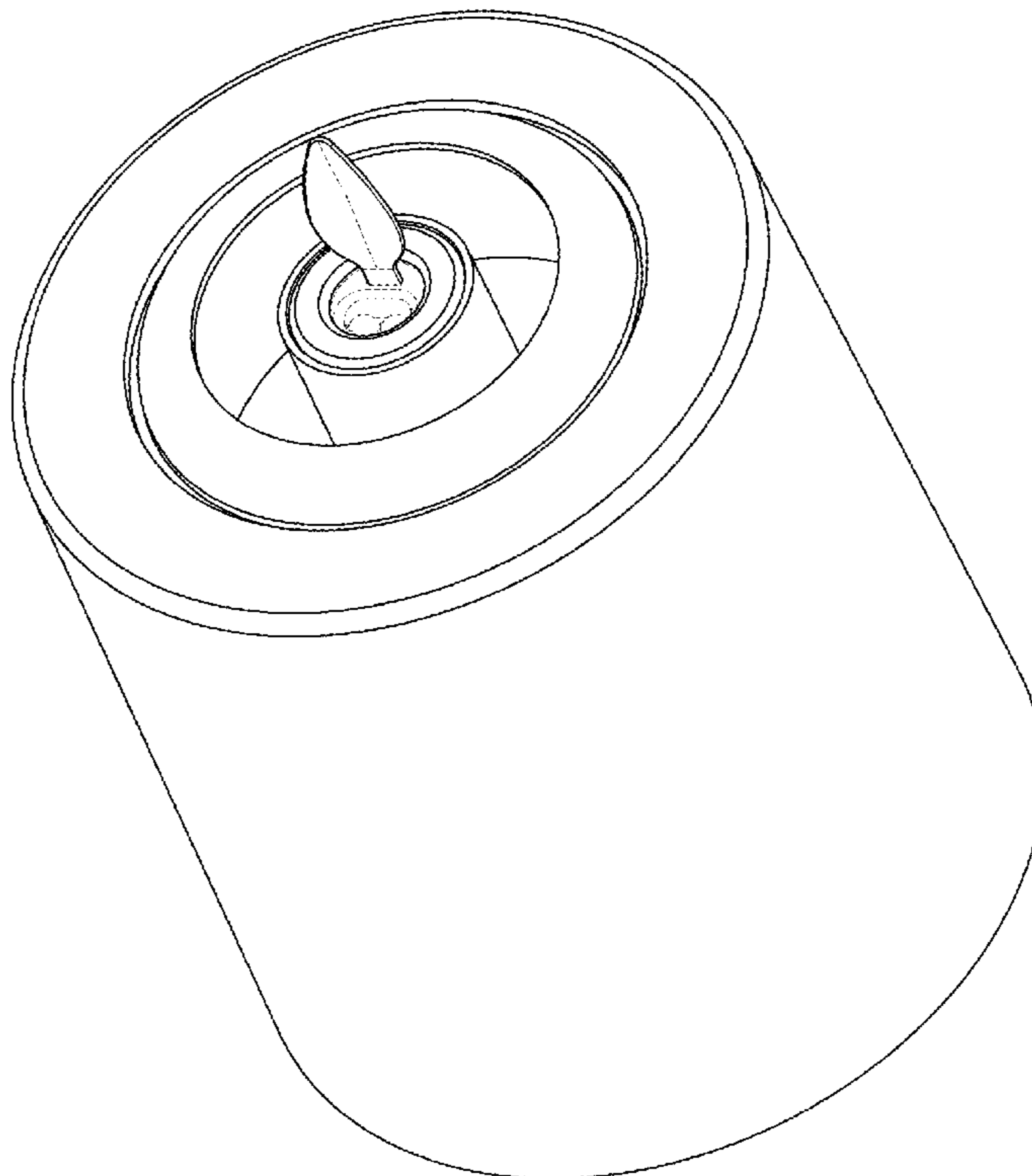
(57) **CLAIM**

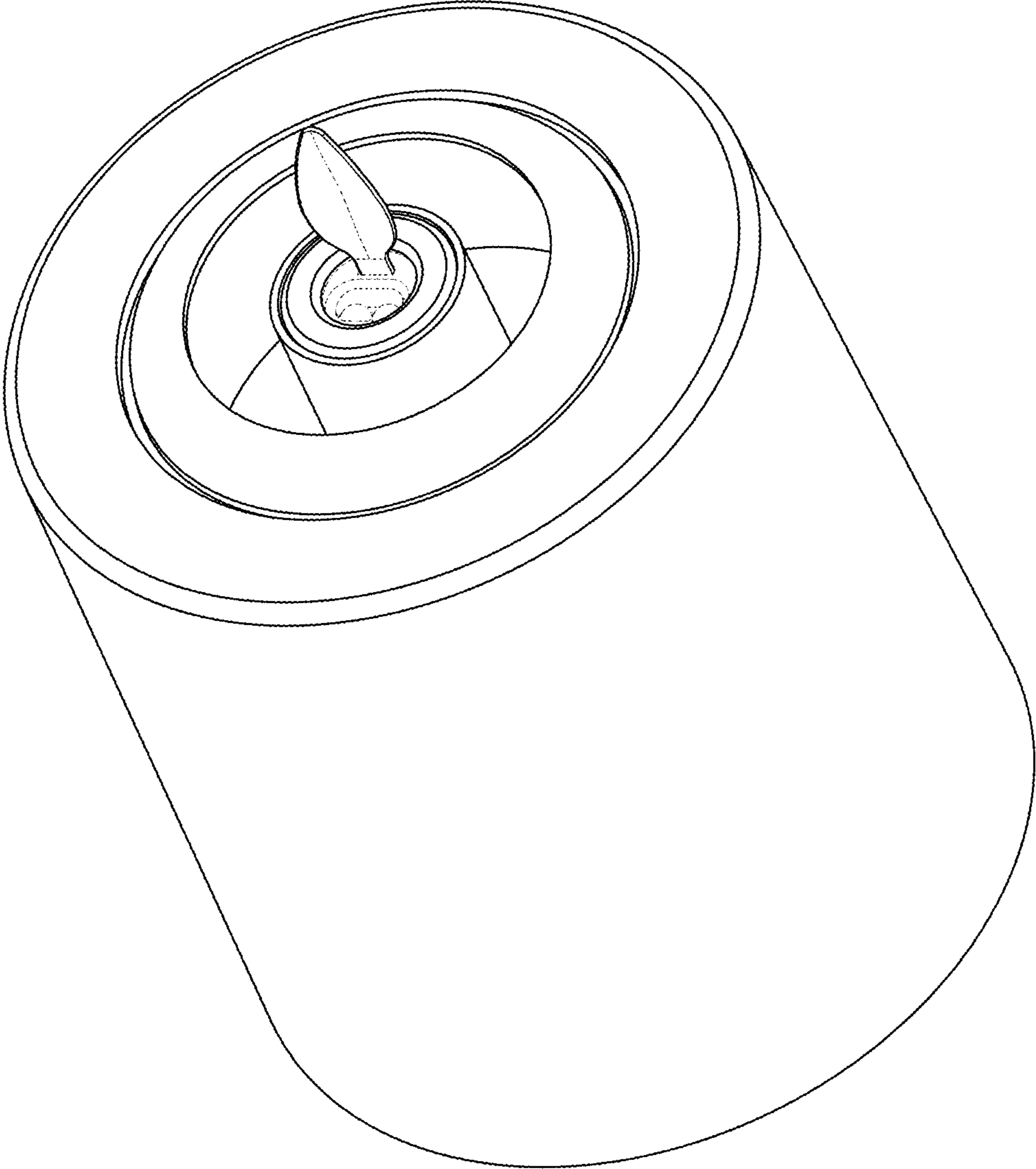
The ornamental design for an electronic candle having a top scent container, as shown and described.

**DESCRIPTION**

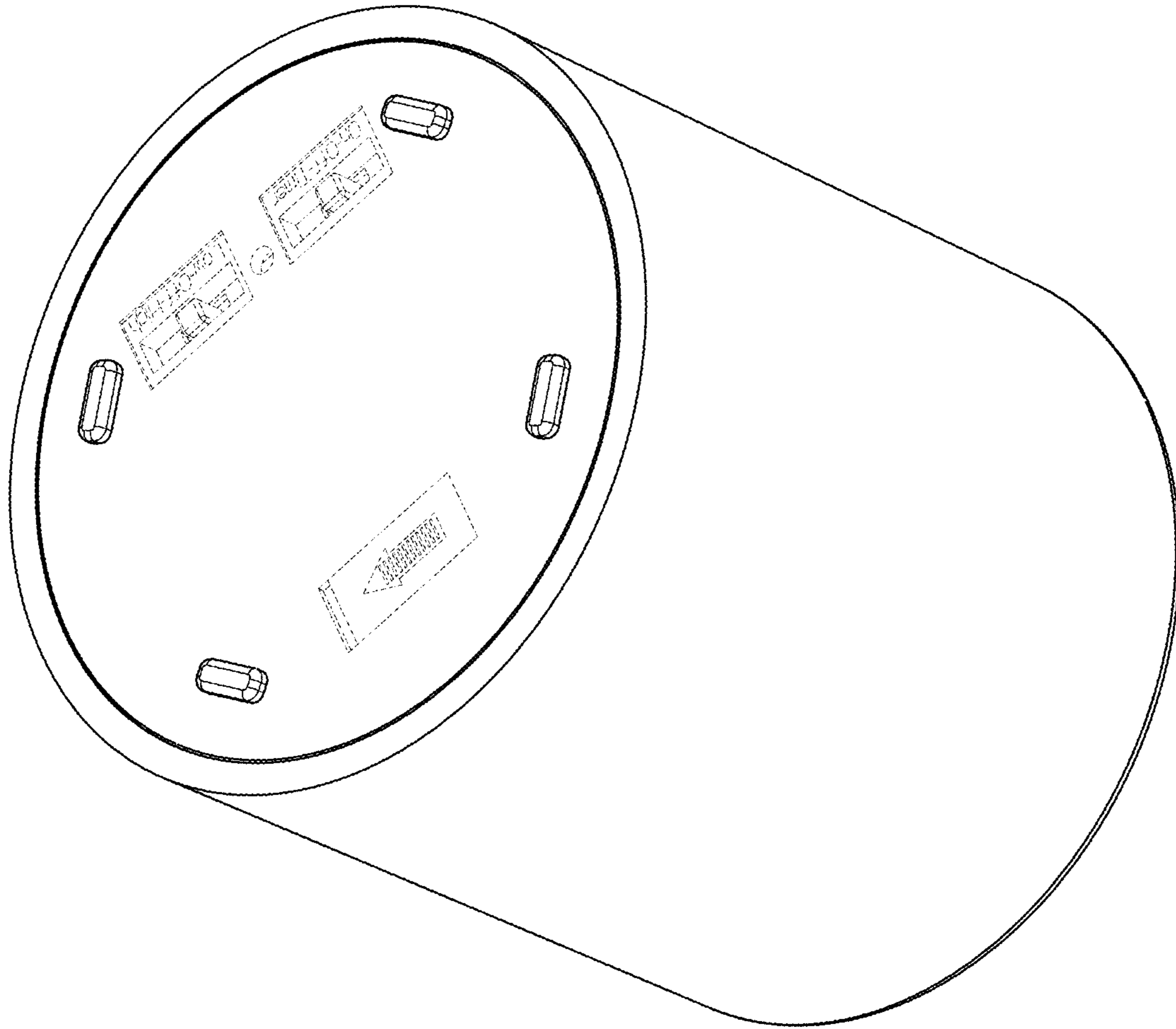
FIG. 1 is an isometric view of top, front and right side of the electronic candle having a top scent container;  
 FIG. 2 is an isometric view of bottom, back and left side of the electronic candle of FIG. 1;  
 FIG. 3 is a top view of the electronic candle of FIG. 1;  
 FIG. 4 is a bottom view of the electronic candle of FIG. 1;  
 FIG. 5 is a front side view of the electronic candle of FIG. 1; and,  
 FIG. 6 is a right side view of the electronic candle of FIG. 1.  
 The broken-line disclosure represents portions of the electronic candle which form no part of the claimed design.

**1 Claim, 6 Drawing Sheets**

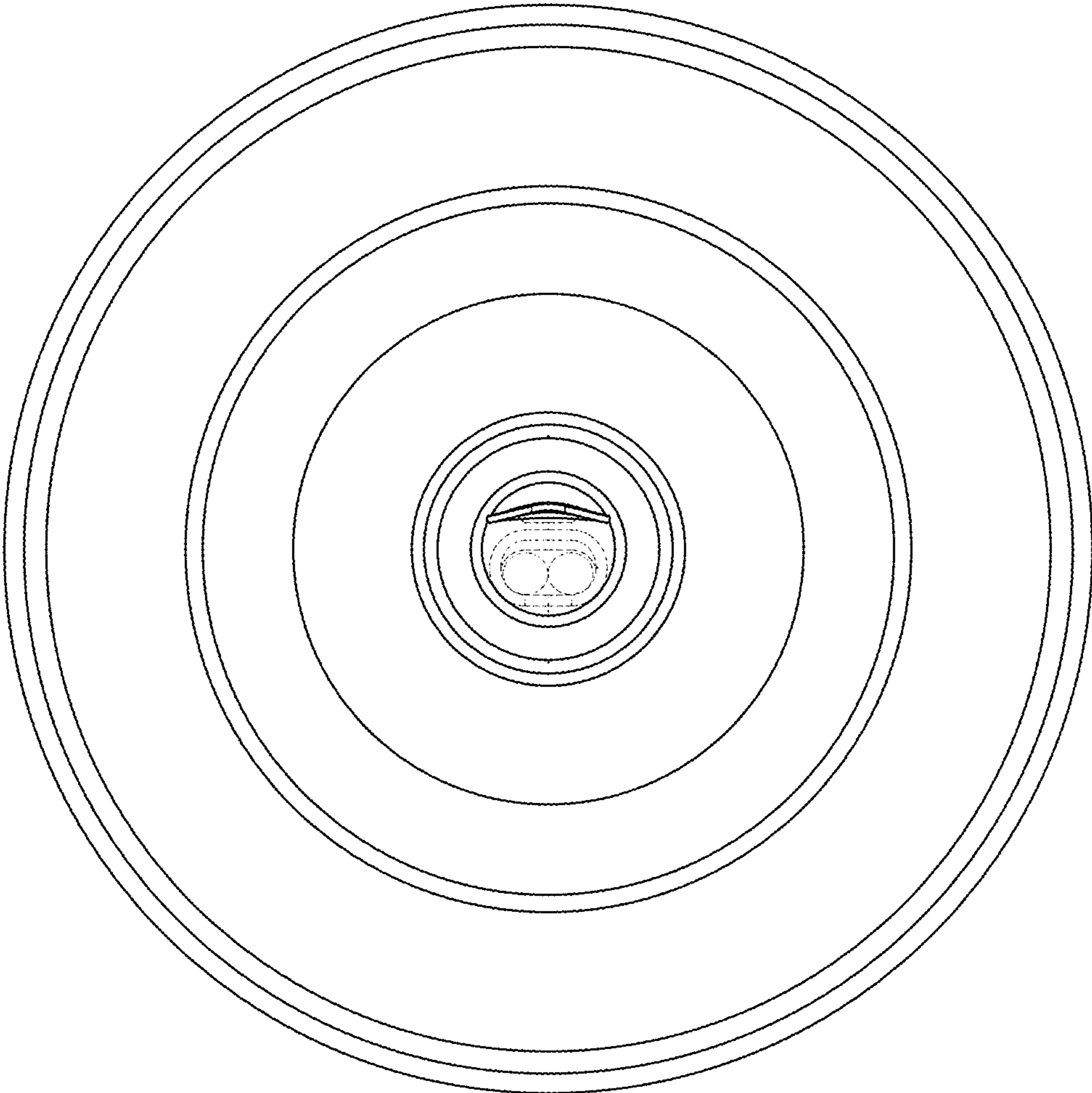




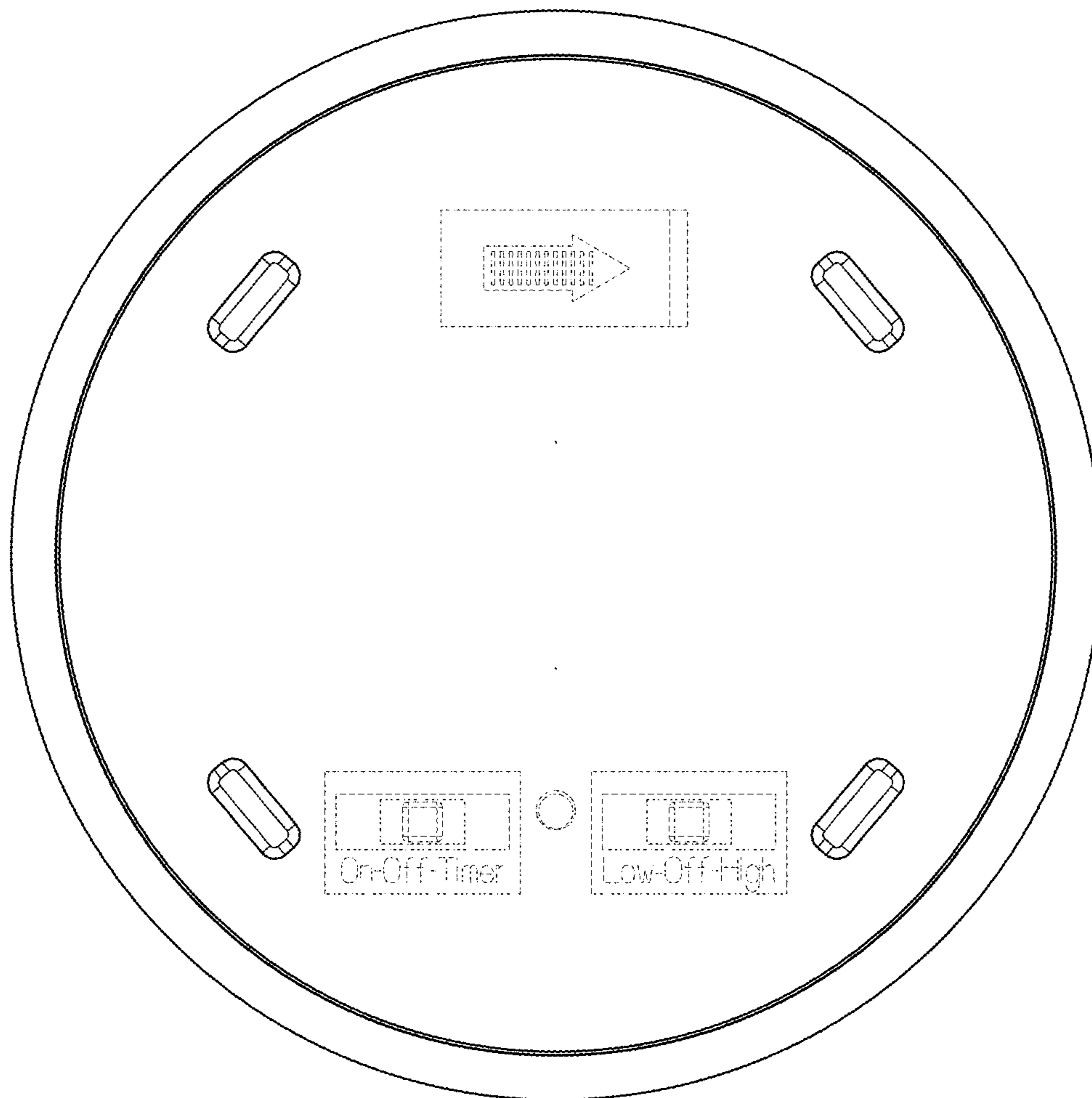
**FIG. 1**



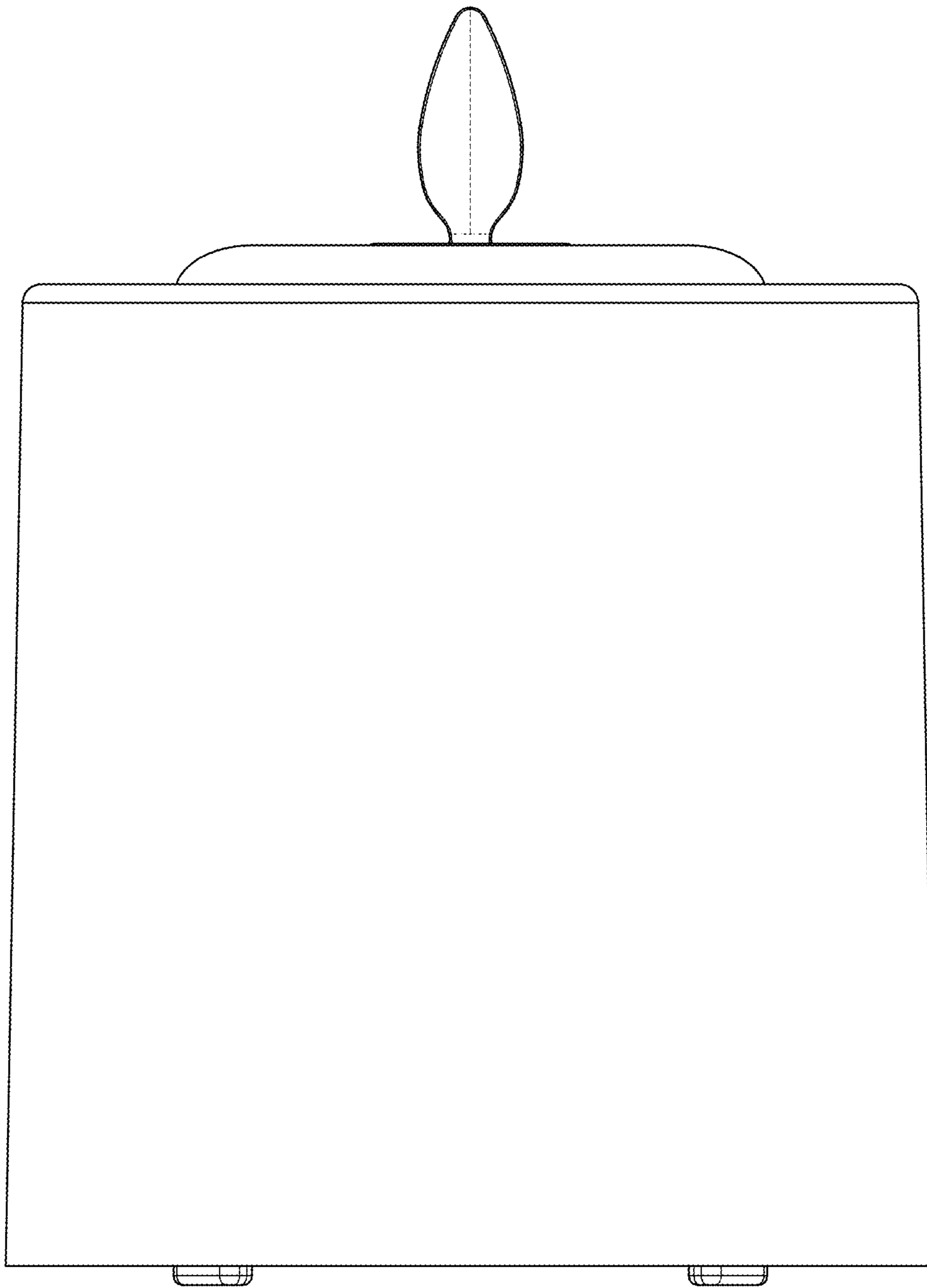
**FIG. 2**



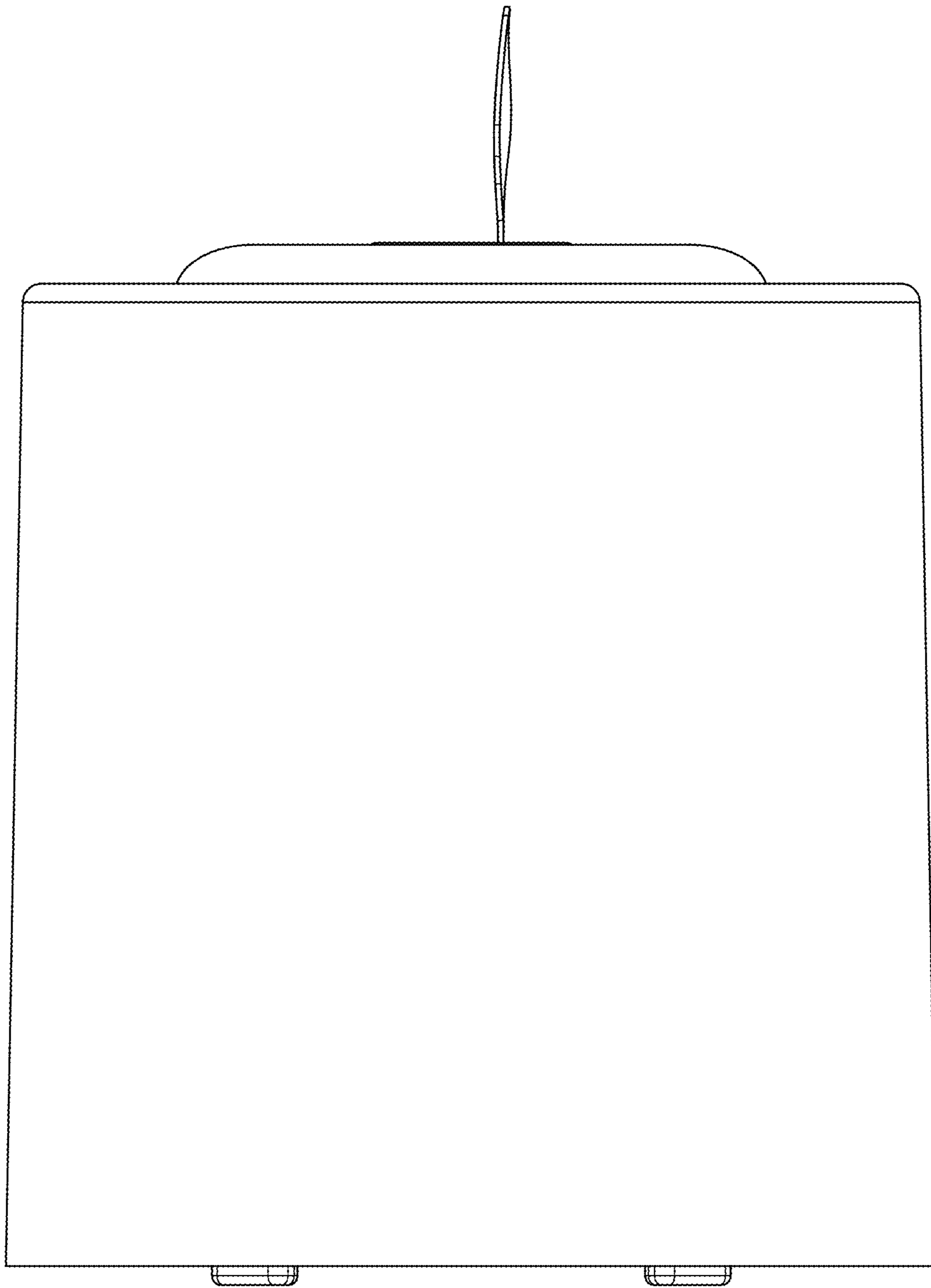
**FIG. 3**



**FIG. 4**



**FIG. 5**



**FIG. 6**