



US00D791390S

(12) **United States Design Patent**  
**Stolte et al.**

(10) **Patent No.: US D791,390 S**  
(45) **Date of Patent: \*\* Jul. 4, 2017**

(54) **LIGHTING FIXTURE**

(71) Applicant: **KENALL MANUFACTURING COMPANY**, Kenosha, WI (US)

(72) Inventors: **Brandon Stolte**, Lindenhurst, IL (US);  
**Brad Wilson**, Twin Lakes, WI (US)

(73) Assignee: **KENALL MANUFACTURING COMPANY**, Kenosha, WI (US)

(\*\*) Term: **15 Years**

(21) Appl. No.: **29/579,192**

(22) Filed: **Sep. 28, 2016**

**Related U.S. Application Data**

(62) Division of application No. 29/526,273, filed on May 7, 2015, now Pat. No. Des. 774,237.

(51) **LOC (10) Cl.** ..... **26-03**

(52) **U.S. Cl.**  
USPC ..... **D26/92**; D26/89

(58) **Field of Classification Search**  
USPC ..... D26/67-72, 89, 92, 118  
CPC .... F21S 8/08; F21S 8/085; F21S 8/086; F21S 8/088; F21V 21/13  
See application file for complete search history.

(56) **References Cited**

**U.S. PATENT DOCUMENTS**

- 2,255,413 A 9/1941 Coons
- 2,255,431 A \* 9/1941 Marden ..... C09K 11/025  
220/2.1 R
- 4,782,435 A \* 11/1988 Manzoni ..... F21S 8/033  
16/348
- 4,785,435 A 11/1988 Inoue et al.
- D465,599 S \* 11/2002 Thompson ..... D26/89
- D571,034 S \* 6/2008 Goetz-Schaefer ..... D26/85
- D580,085 S \* 11/2008 Svensson ..... D26/71

- 7,584,734 B1 9/2009 Fiorenza et al.
- 7,594,734 B2 \* 9/2009 Bacon ..... F21V 3/00  
362/147
- D628,738 S \* 12/2010 Chen ..... D26/89  
(Continued)

**OTHER PUBLICATIONS**

TekDek™ Advanced Lighting for Parking Garages Brochure, Kenall, 36 Pages.

*Primary Examiner* — Clare E Heflin

(74) *Attorney, Agent, or Firm* — Marshall, Gerstein & Borun LLP

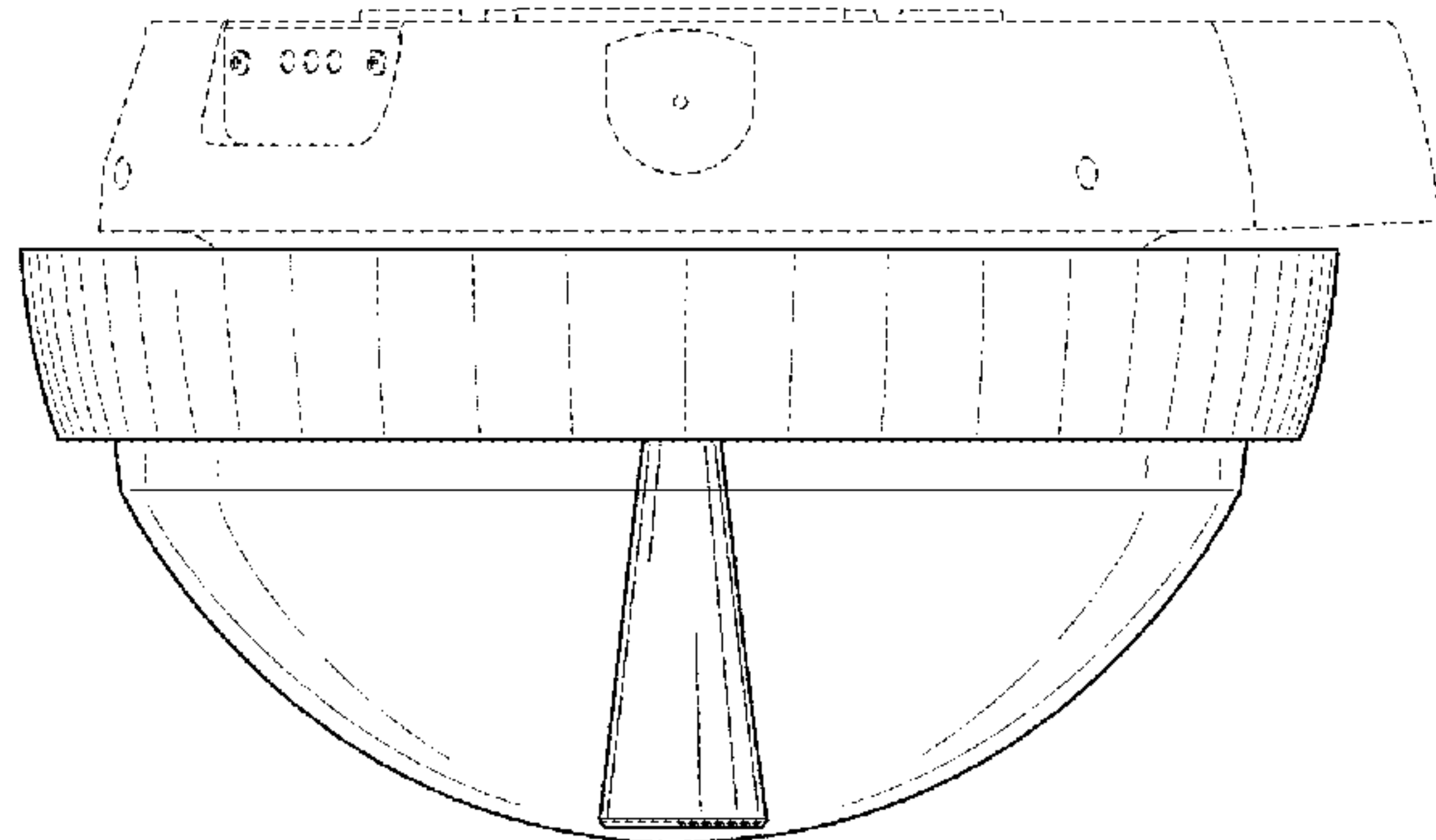
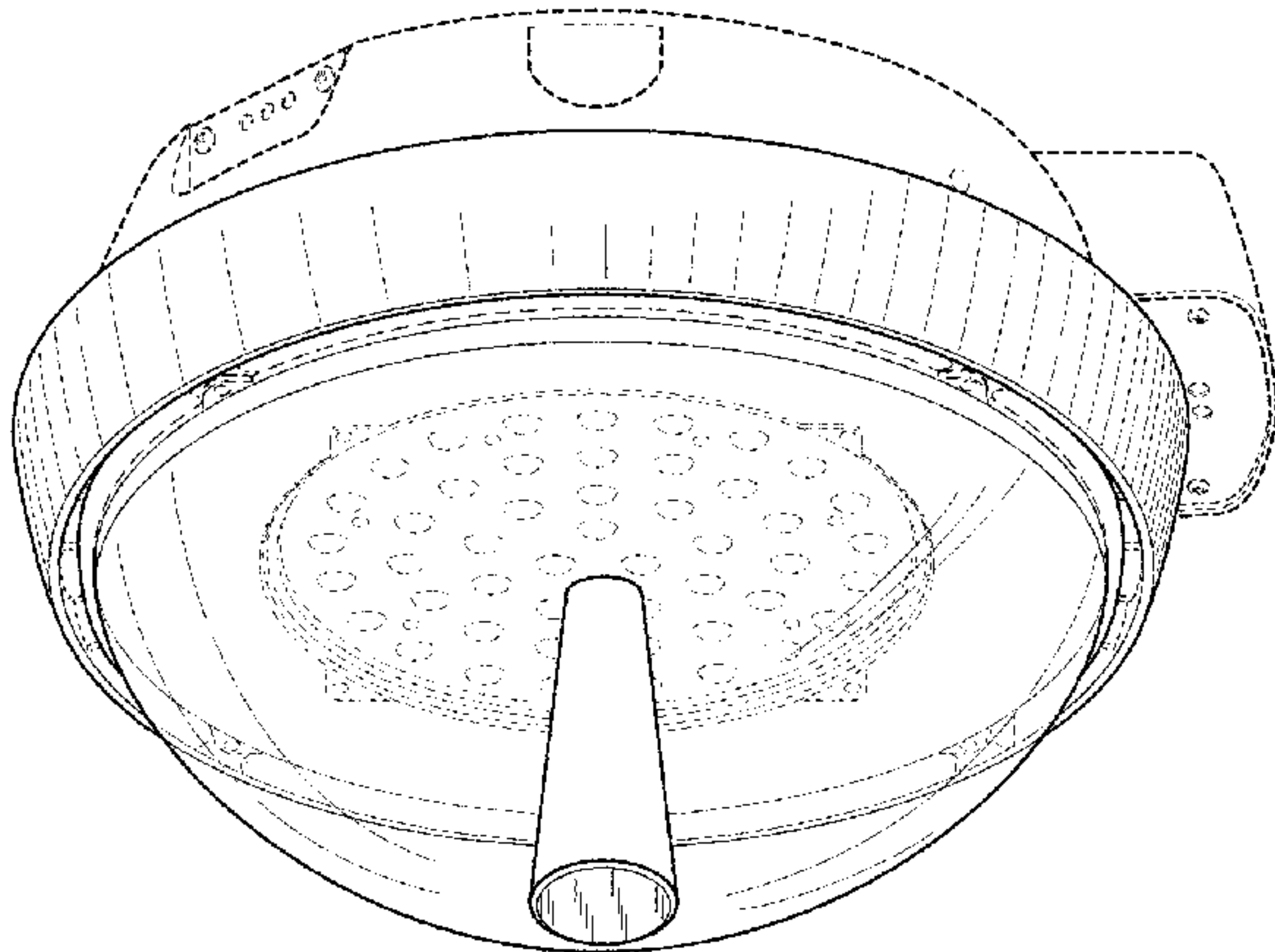
(57) **CLAIM**

The ornamental design for a lighting fixture, as shown and described.

**DESCRIPTION**

FIG. 1 is a perspective view showing a first embodiment of a new design for a lighting fixture;  
 FIG. 2 is a bottom view of the lighting fixture of FIG. 1;  
 FIG. 3 is a front view of the lighting fixture of FIG. 1;  
 FIG. 4 is a right-side view of the lighting fixture of FIG. 1;  
 FIG. 5 is a back view of the lighting fixture of FIG. 1;  
 FIG. 6 is a left-side view of the lighting fixture of FIG. 1;  
 FIG. 7 is a top view of the lighting fixture of FIG. 1;  
 FIG. 8 is a perspective view showing a second embodiment of a new design for a lighting fixture;  
 FIG. 9 is a bottom view of the lighting fixture of FIG. 8;  
 FIG. 10 is a front view of the lighting fixture of FIG. 8;  
 FIG. 11 is a right-side view of the lighting fixture of FIG. 8;  
 FIG. 12 is a back view of the lighting fixture of FIG. 8;  
 FIG. 13 is a left-side view of the lighting fixture of FIG. 8;  
 and,  
 FIG. 14 is a top view of the lighting fixture of FIG. 8.  
 The dashed lines showing portions of the lighting fixture are included for the purpose of illustrating environment and form no part of the claimed design.

**1 Claim, 14 Drawing Sheets**



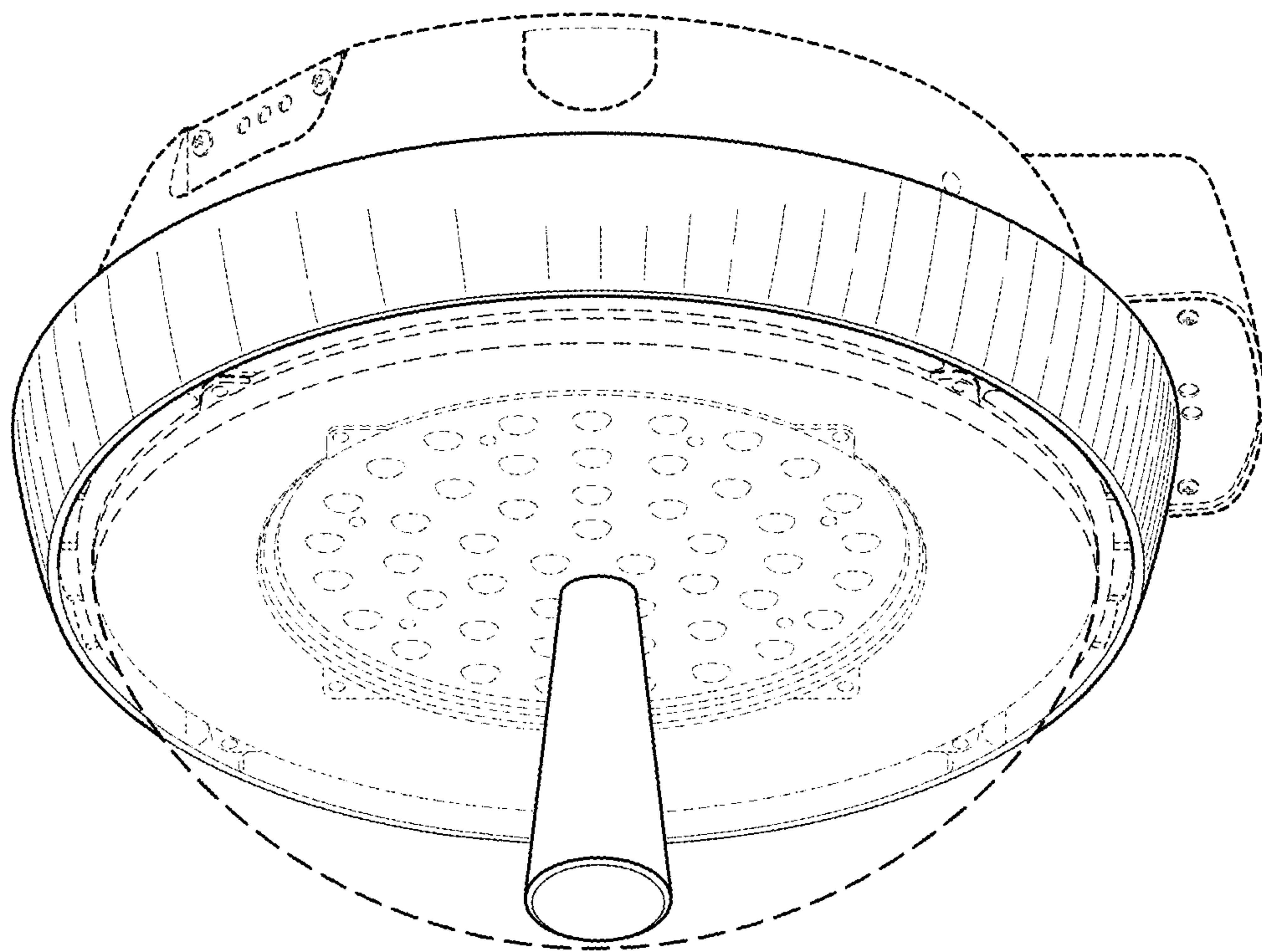
(56)

**References Cited**

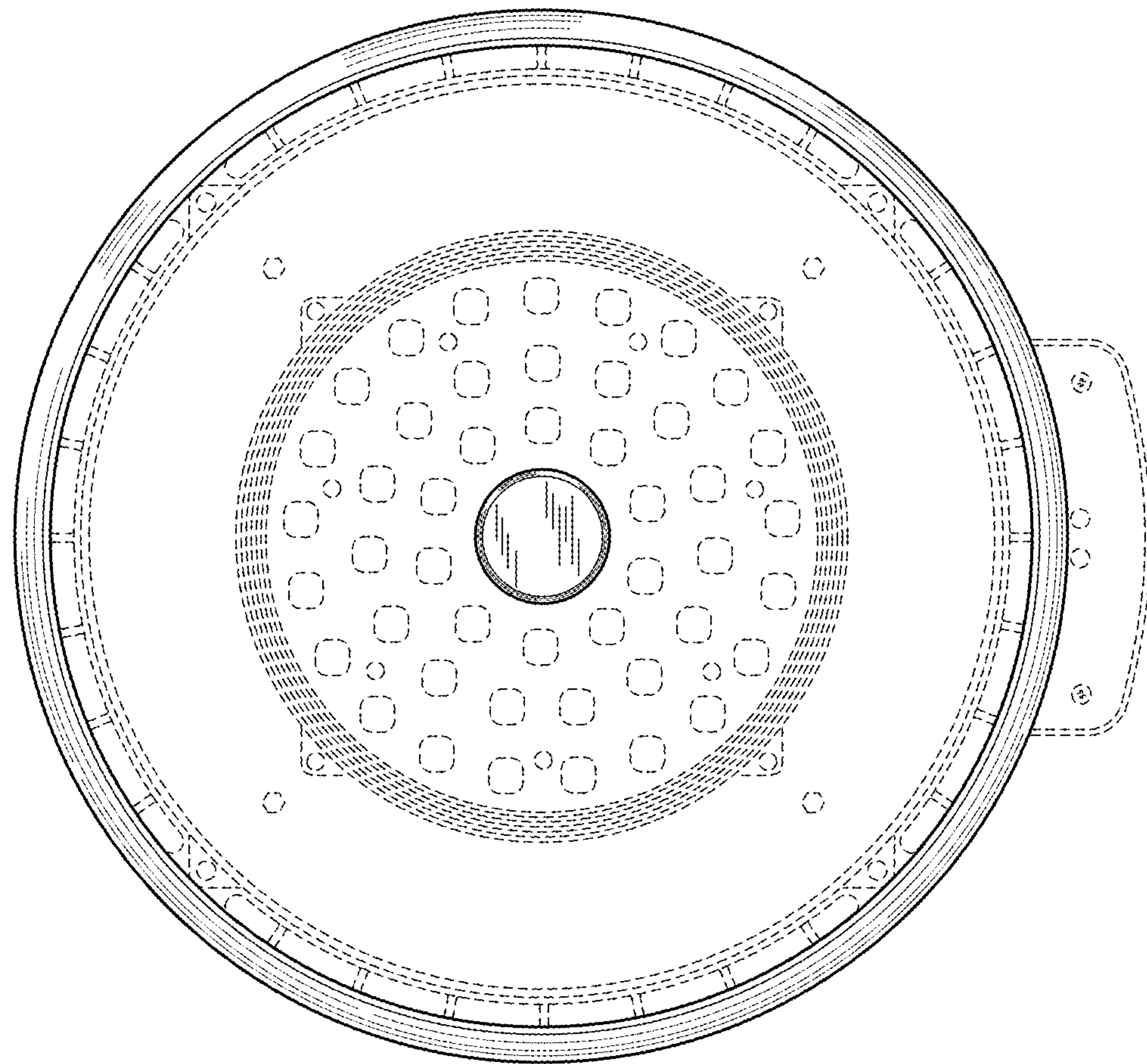
U.S. PATENT DOCUMENTS

D634,053	S	*	3/2011	Guercio	.....	D26/89
D639,996	S	*	6/2011	Stolte	.....	D26/89
D657,088	S	*	4/2012	Miro	.....	D26/85
D673,723	S		1/2013	Cartwright		
D694,459	S	*	11/2013	Fang	.....	D26/87
8,672,518	B2	*	3/2014	Boomgaarden	.....	F21S 8/026 362/147
D743,612	S	*	11/2015	Stolte	.....	D26/92
D747,824	S	*	1/2016	Stolte	.....	D26/89
D753,866	S	*	4/2016	Stolte	.....	D26/89
D758,638	S	*	6/2016	Stolte	.....	D26/89
2012/0176792	A1		7/2012	Stolte et al.		

\* cited by examiner

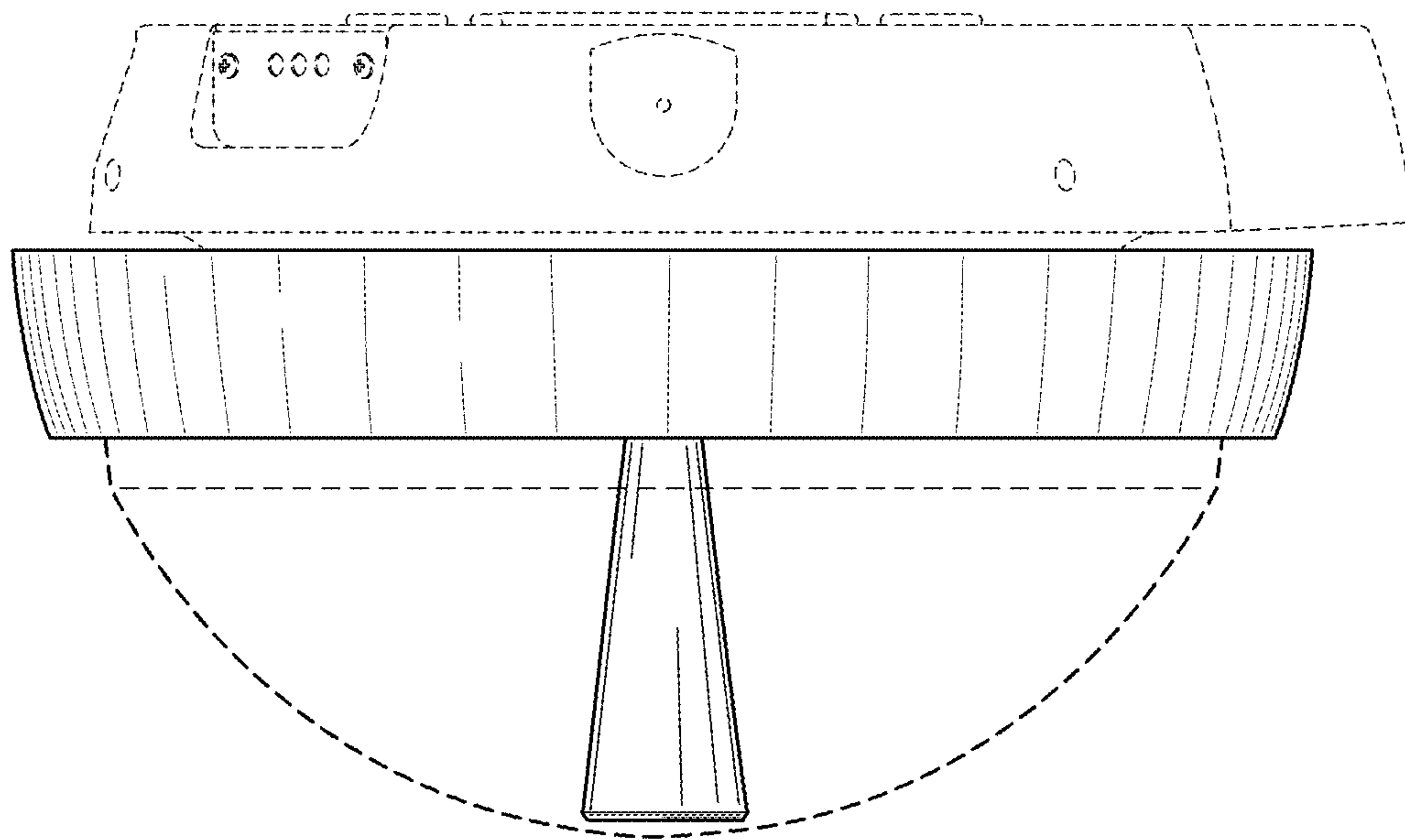


**FIG. 1**

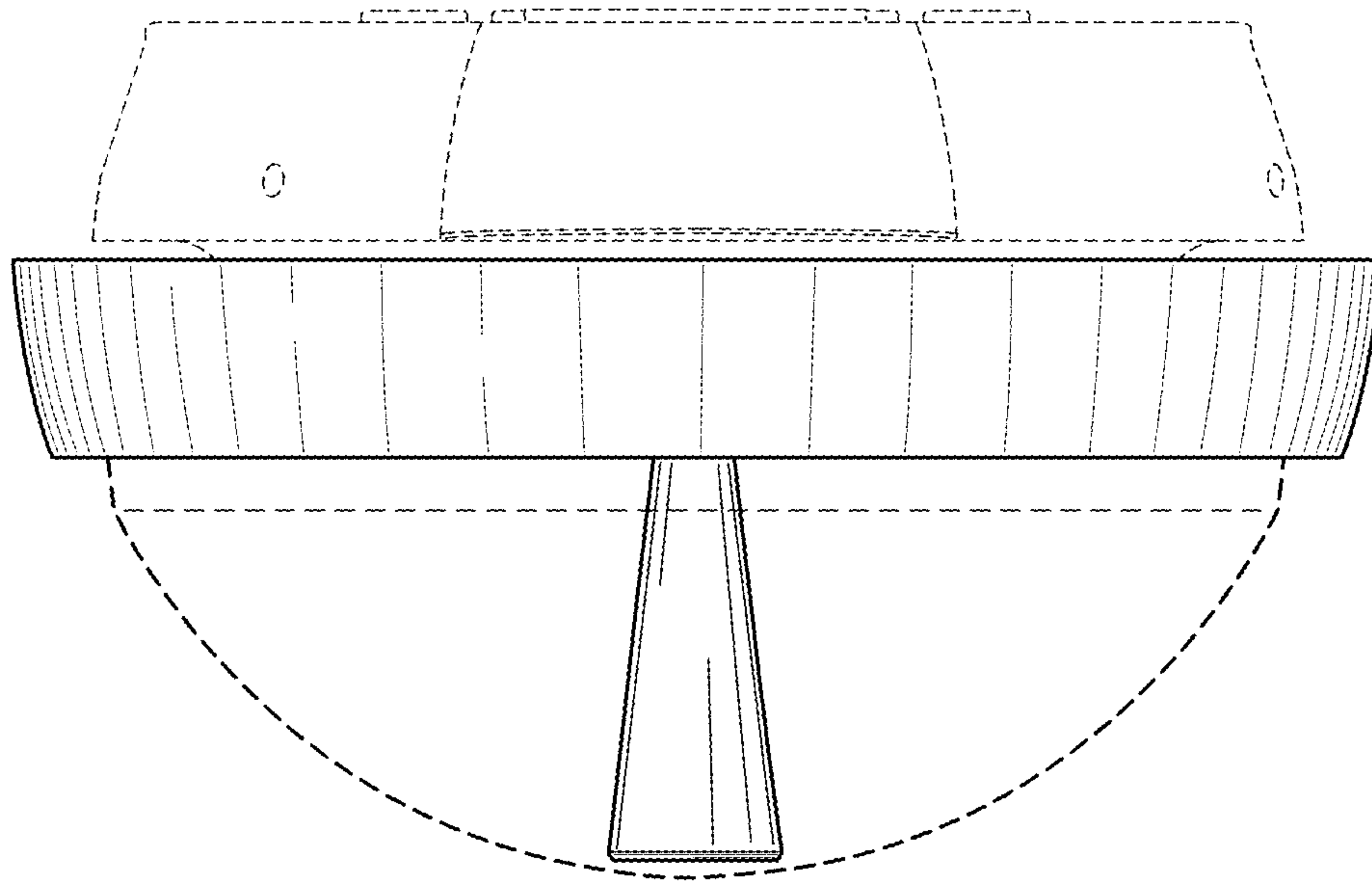


**FIG. 2**

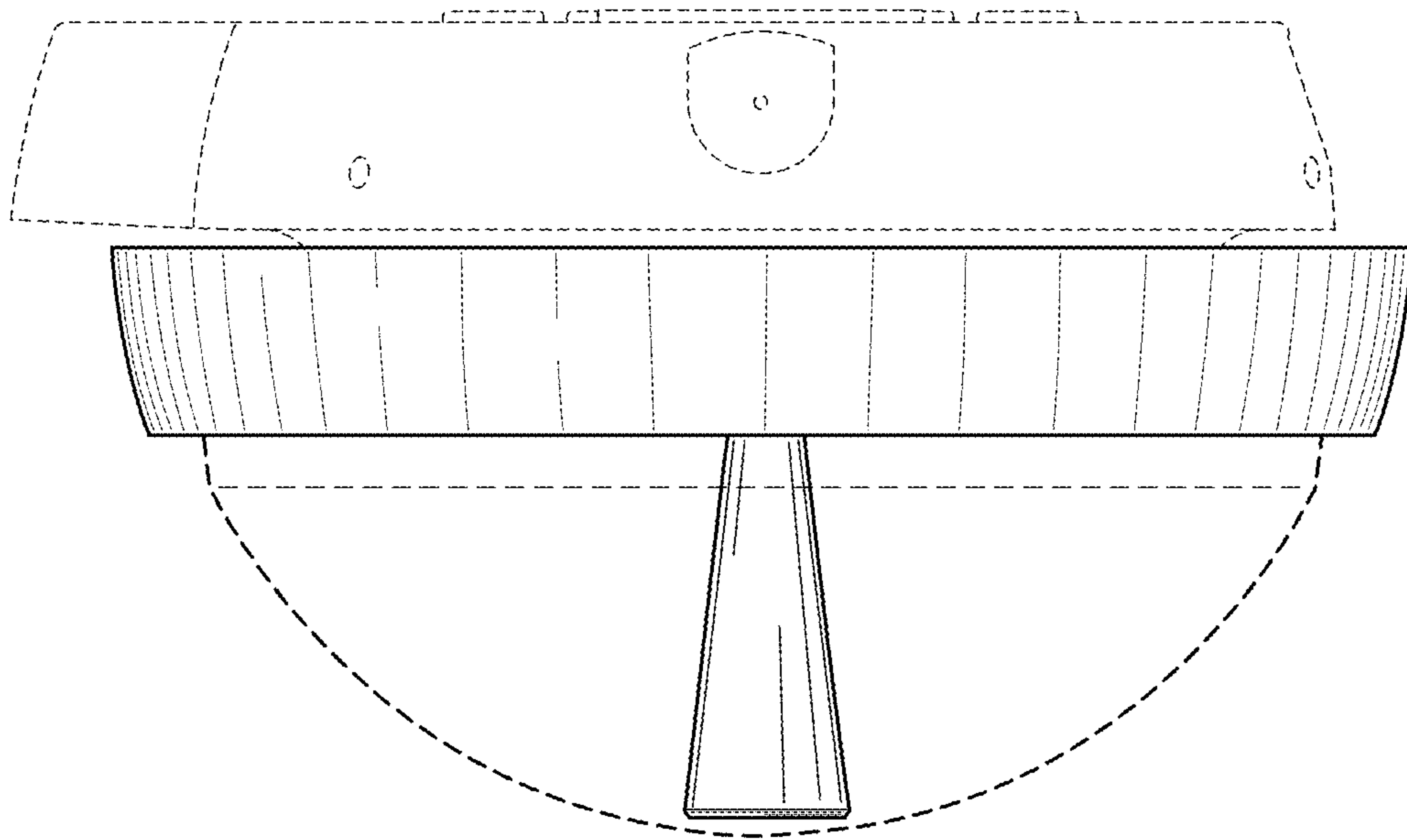




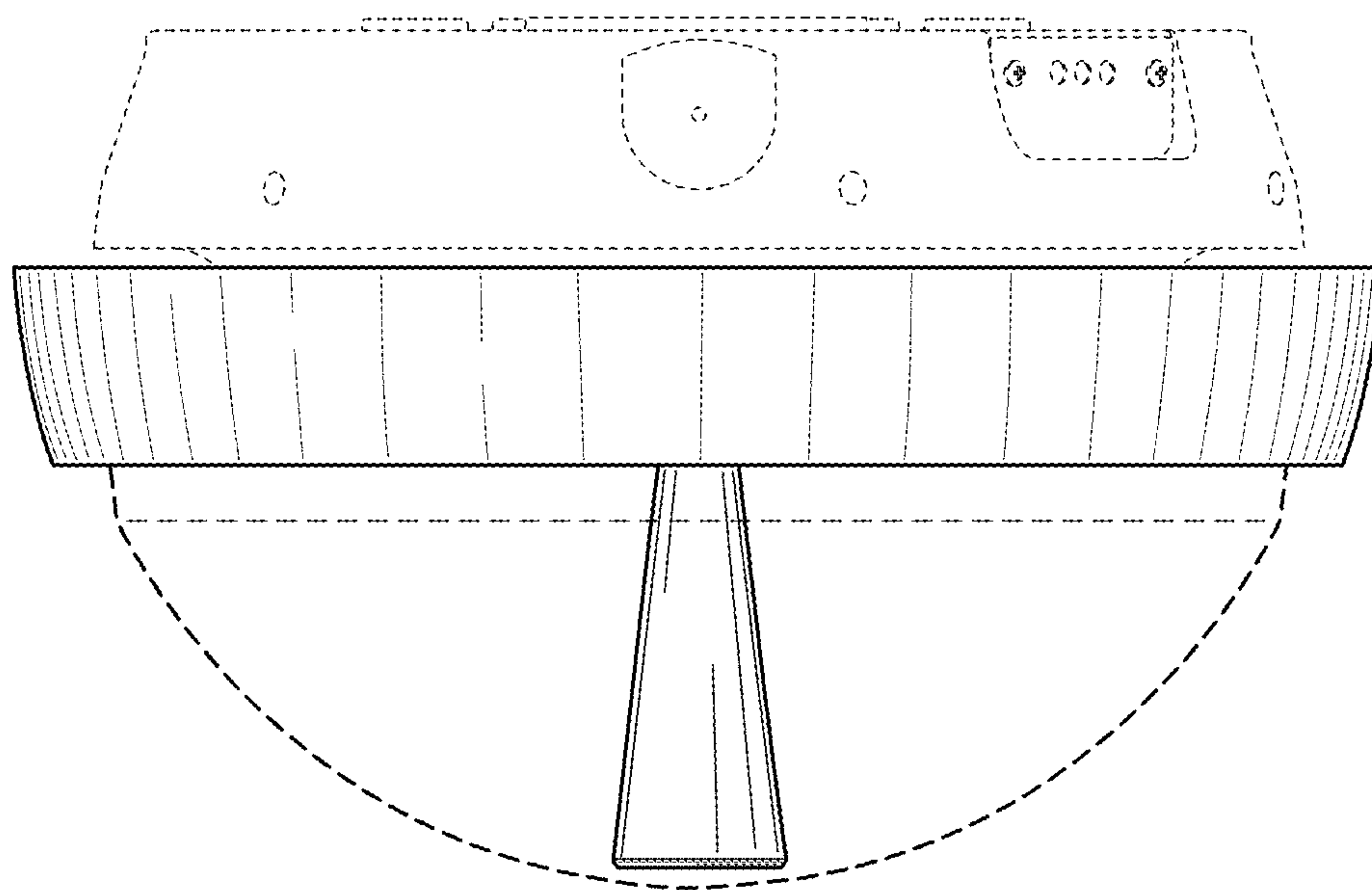
**FIG. 3**



**FIG. 4**

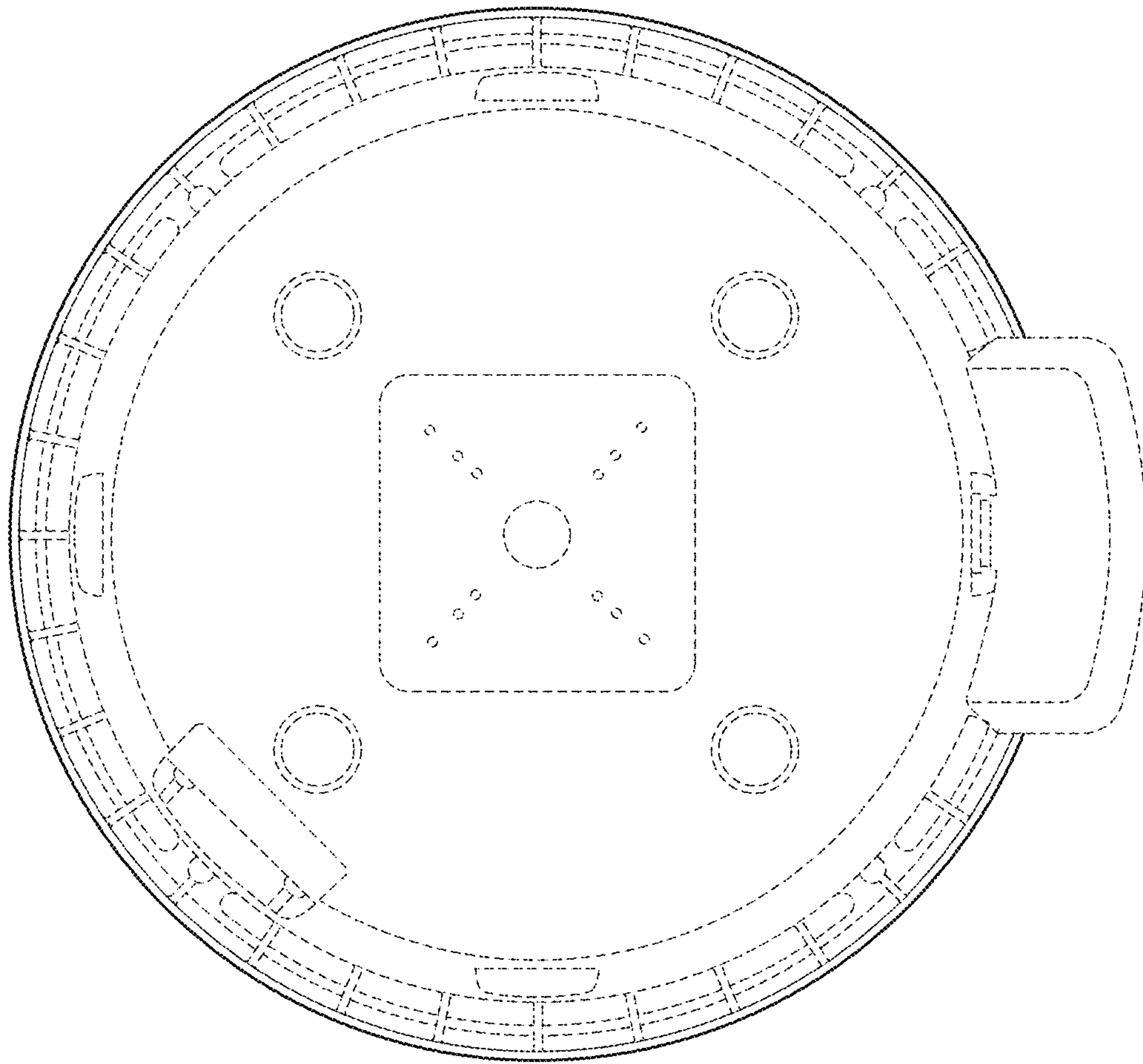


**FIG. 5**

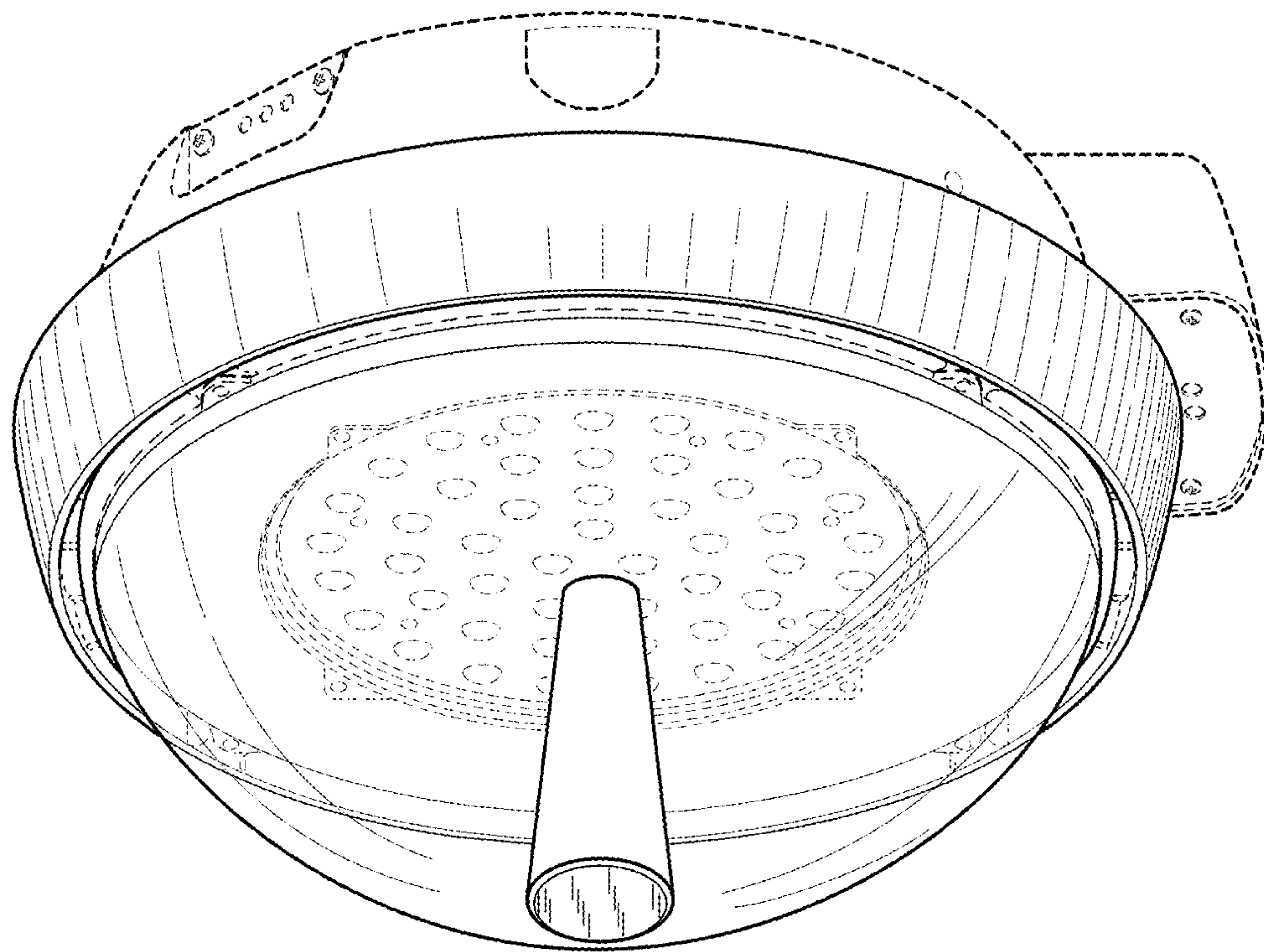


**FIG. 6**

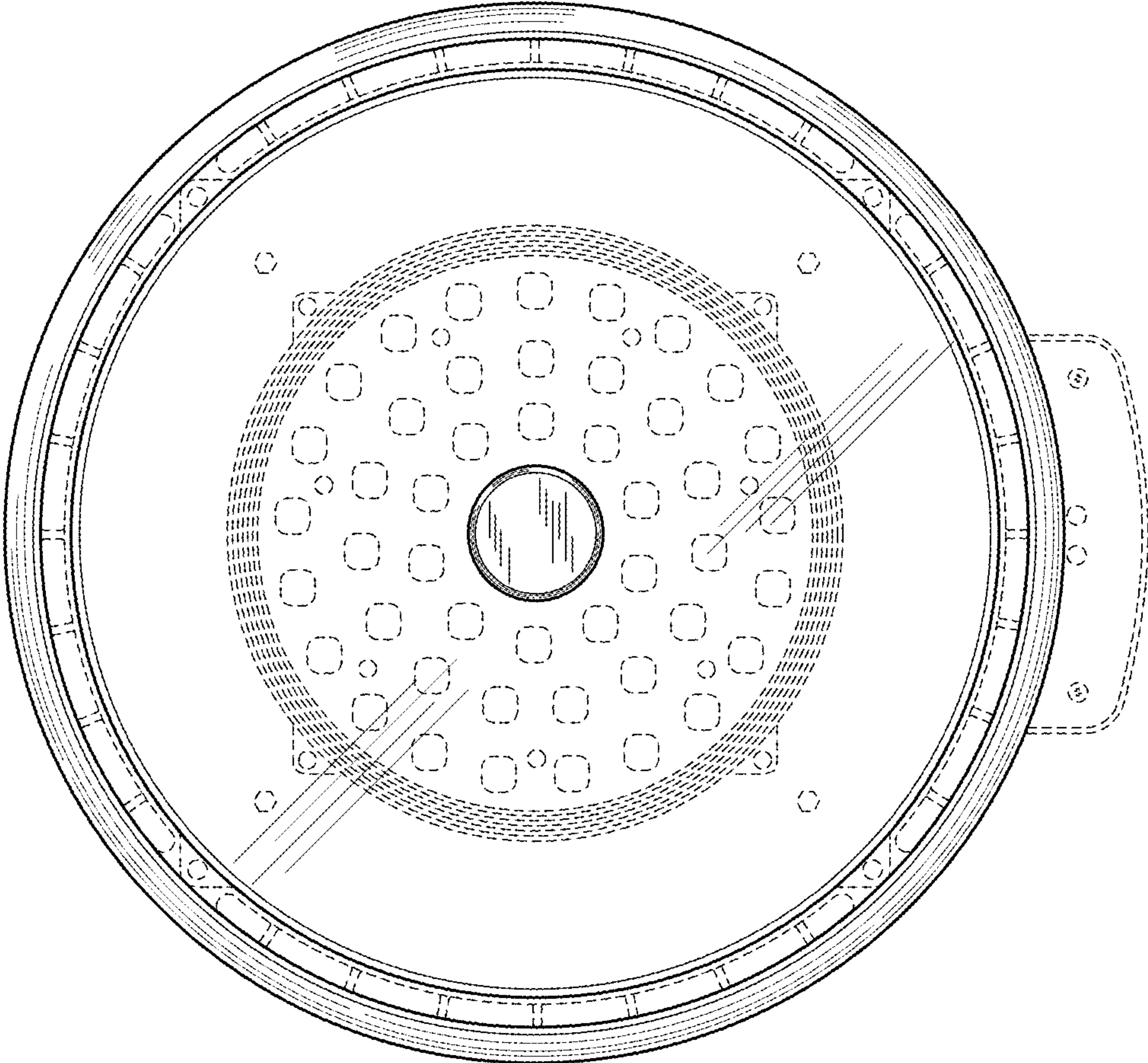




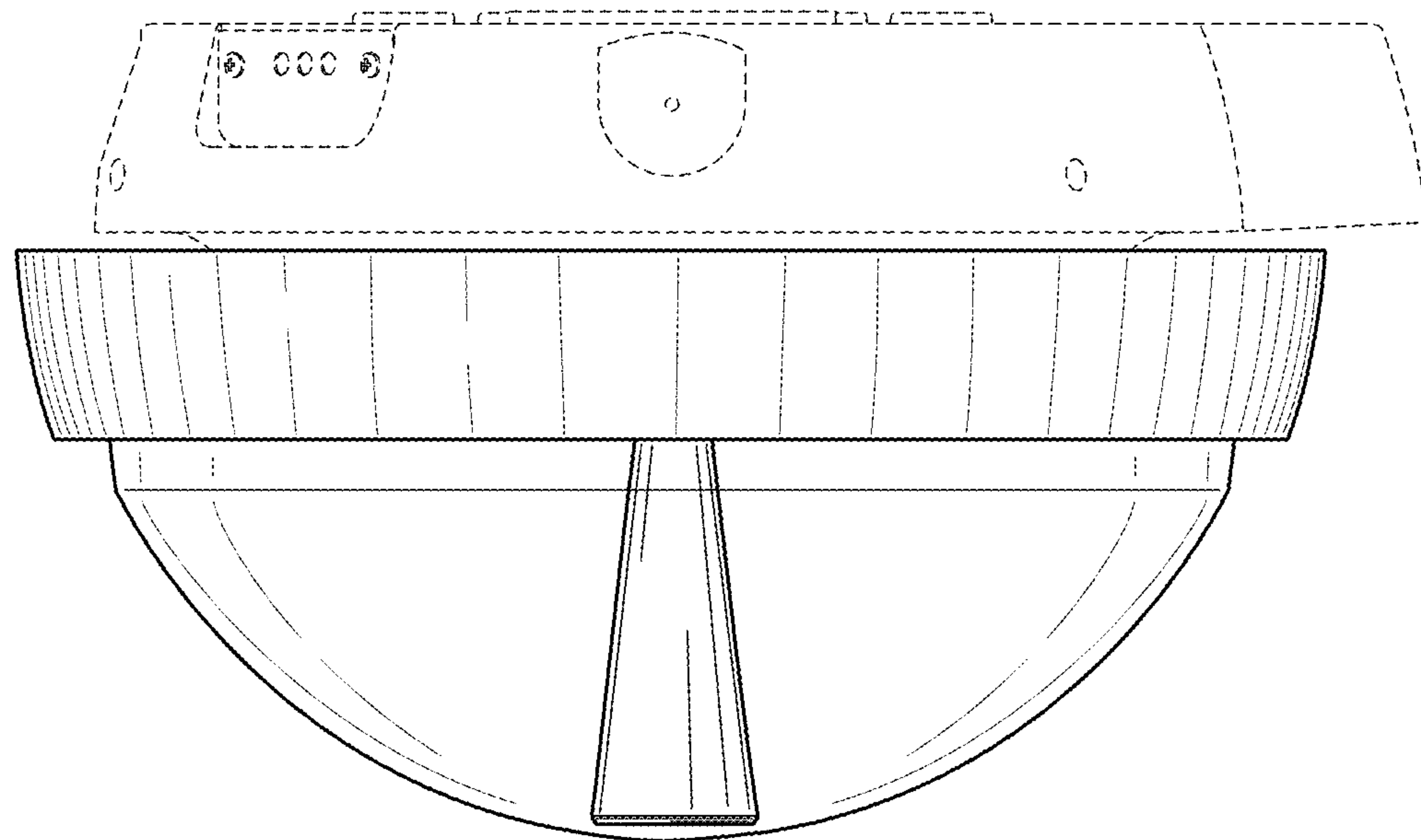
**FIG. 7**



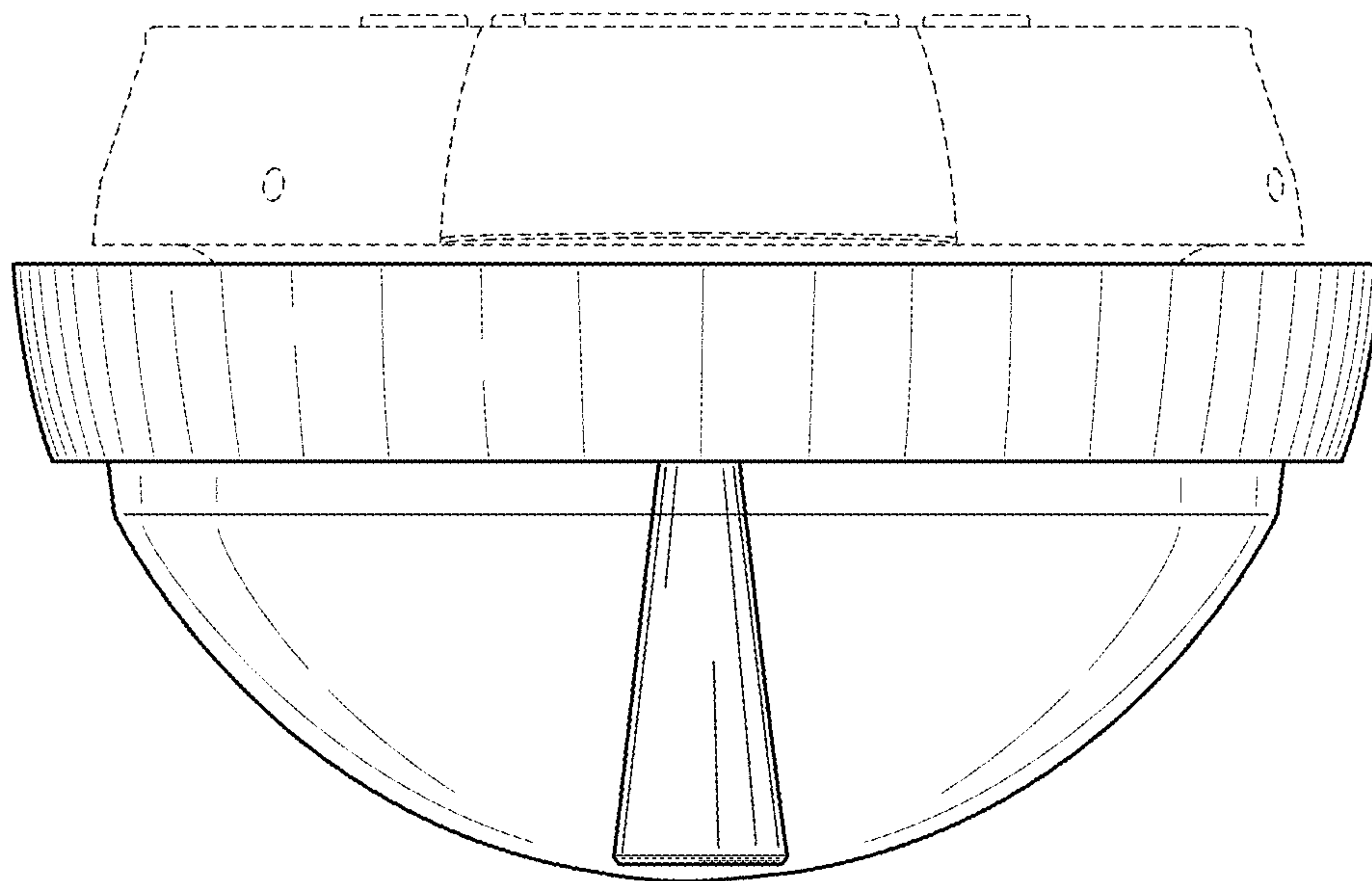
**FIG. 8**



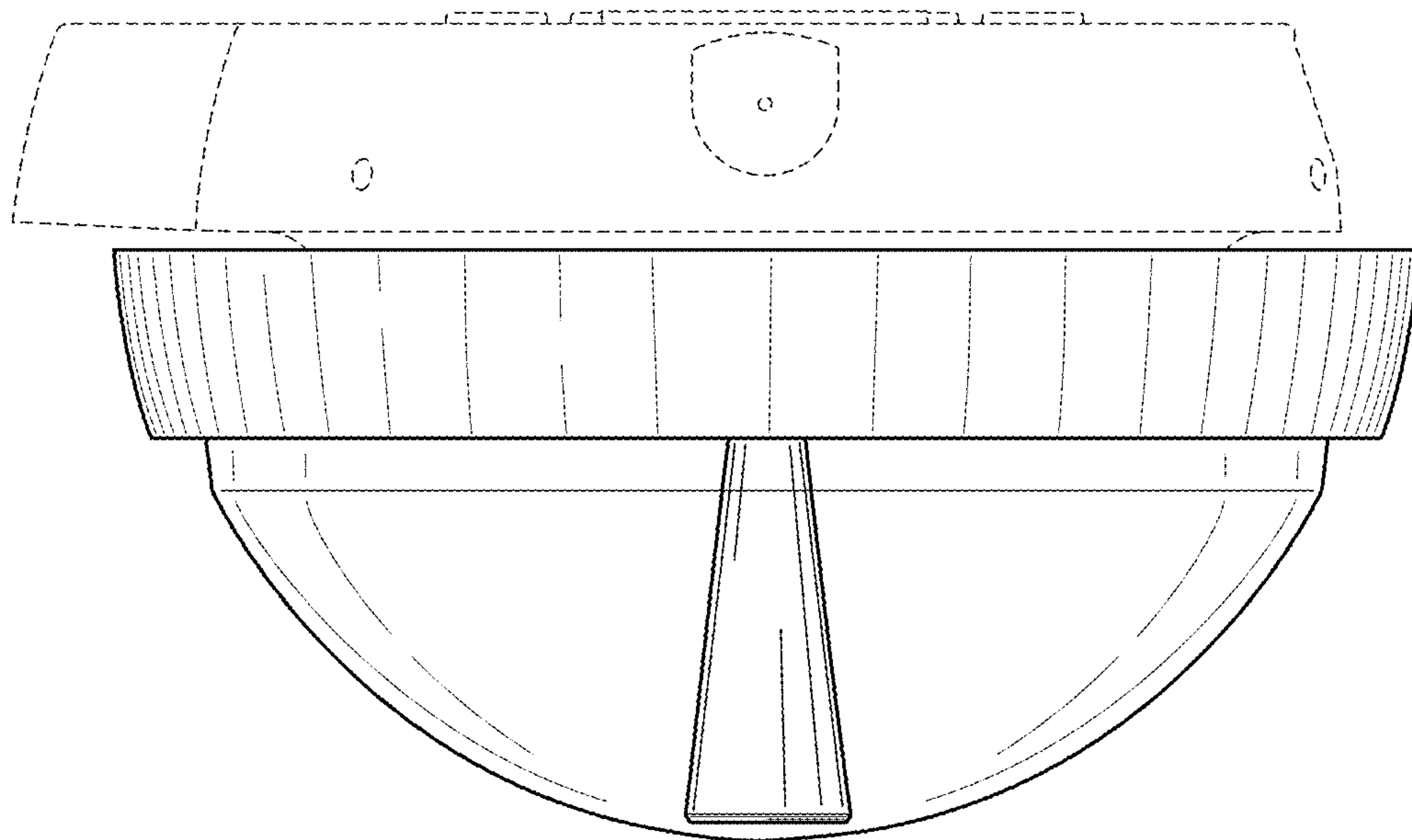
**FIG. 9**



**FIG. 10**

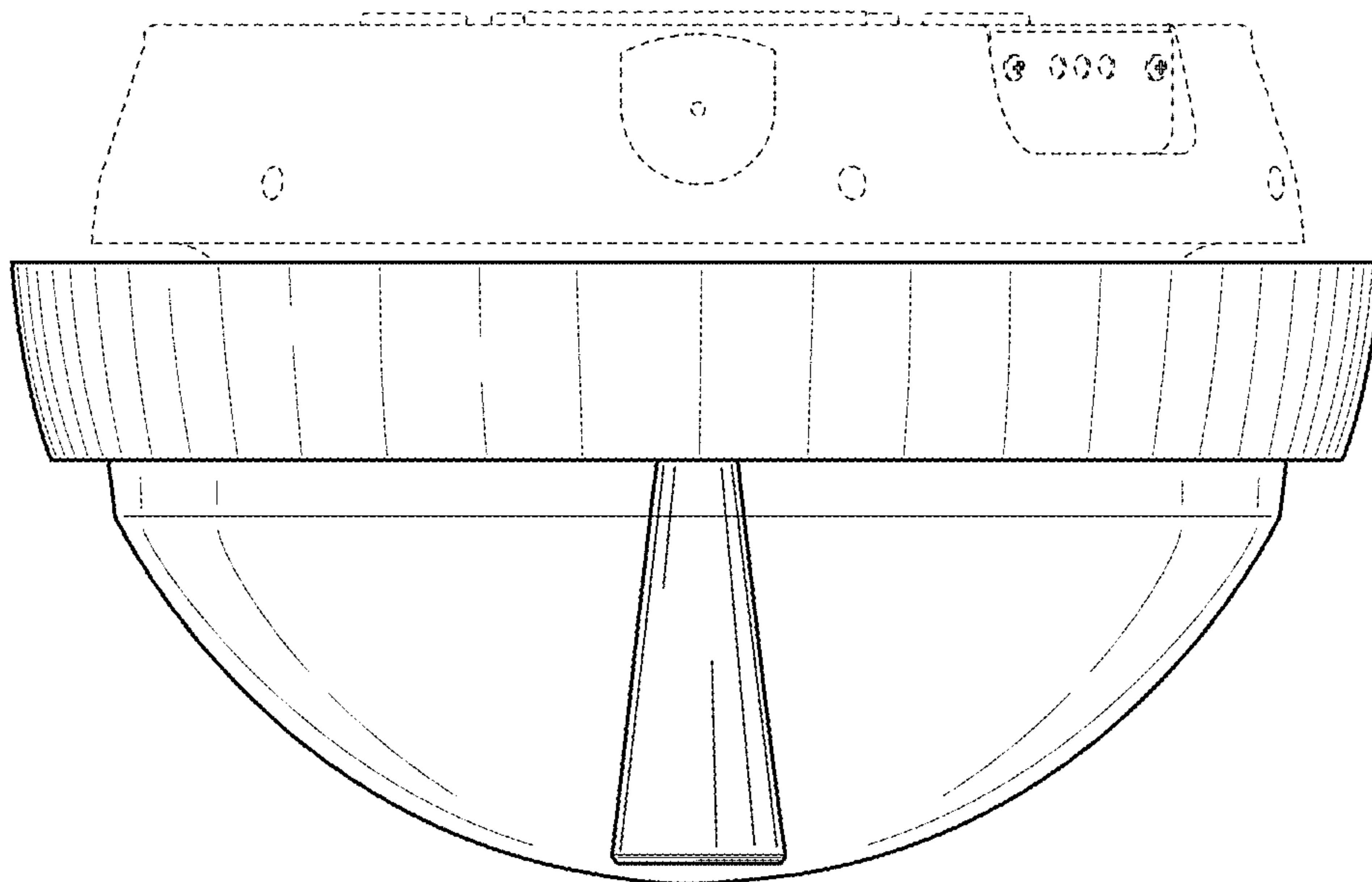


**FIG. 11**

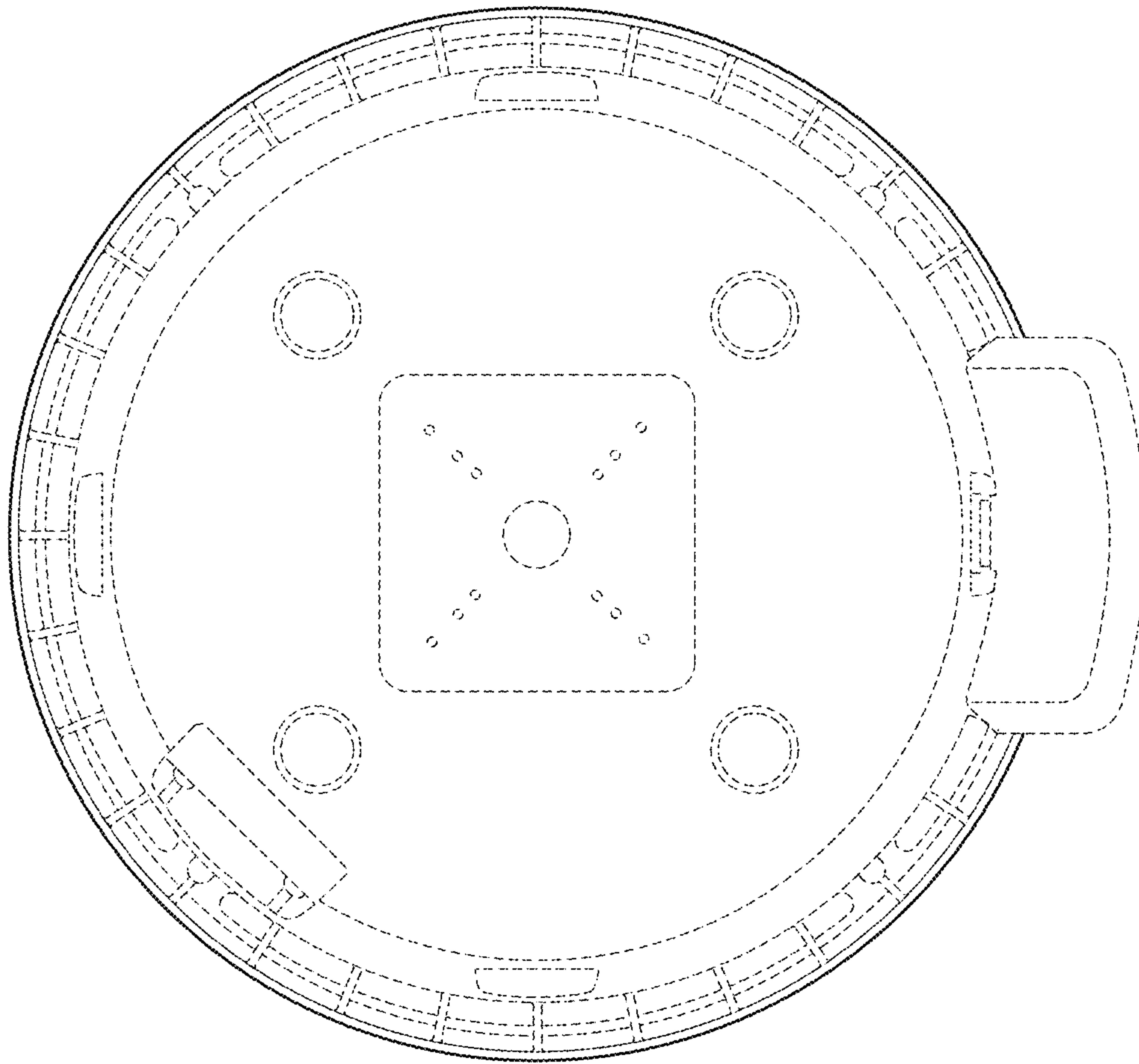


**FIG. 12**





**FIG. 13**



**FIG. 14**