



US00D791387S

(12) **United States Design Patent**  
**Sonneman**

(10) **Patent No.:** **US D791,387 S**

(45) **Date of Patent:** **\*\* Jul. 4, 2017**

(54) **LIGHT FIXTURE**

(71) Applicant: **Robert A. Sonneman**, Mamaroneck,  
NY (US)

(72) Inventor: **Robert A. Sonneman**, Mamaroneck,  
NY (US)

(\*\*) Term: **15 Years**

(21) Appl. No.: **29/595,184**

(22) Filed: **Feb. 27, 2017**

(51) **LOC (10) Cl.** ..... **26-03**

(52) **U.S. Cl.**

USPC ..... **D26/89**

(58) **Field of Classification Search**

USPC ..... D26/80-91, 118, 128

CPC .... F21S 8/03; F21S 8/033; F21S 8/036; F21S

8/04; F21S 8/043; F21S 8/046; F21S

8/06; F21S 8/061; F21S 8/063; F21S

8/065; F21S 8/068

See application file for complete search history.

(56) **References Cited**

**U.S. PATENT DOCUMENTS**

452,638 A \* 5/1891 Gartner et al. .... F21V 17/02  
362/283

D79,814 S \* 11/1929 Hoch ..... D26/81

D191,369 S \* 9/1961 Martin ..... D26/87

D240,852 S \* 8/1976 Jacobsen ..... D26/86

D257,643 S \* 12/1980 Zurcher ..... D26/85

D373,009 S \* 8/1996 Hsu ..... D26/134

D643,966 S \* 8/2011 Postelmans ..... D26/61

D679,850 S \* 4/2013 Smith ..... D26/118

D696,450 S \* 12/2013 Coury ..... D26/118

D703,365 S \* 4/2014 Martin ..... D26/88

D782,723 S \* 3/2017 Martin ..... D26/88

2013/0070949 A1 \* 3/2013 Fukuma ..... H04R 1/40

381/336

2013/0100649 A1 \* 4/2013 Holder ..... A41G 1/00

362/122

**OTHER PUBLICATIONS**

Lotus pendant # 2643 from Sonneman A Way of Light. Earliest date  
Oct. 20, 2016. Found at sonnemanawayofflight.com, visited May 15,  
2017. (2 pages).\*

Lotus sconce # 2640 from Sonneman A Way of Light. Earliest date  
Oct. 20, 2016. Found at sonnemanawayofflight.com, visited May 15,  
2017. (2 pages).\*

\* cited by examiner

*Primary Examiner* — Clare E Hefflin

(74) *Attorney, Agent, or Firm* — Gottlieb, Rackman &  
Reisman, P.C.

(57) **CLAIM**

The ornamental design for a light fixture, as shown and  
described.

**DESCRIPTION**

FIG. 1 is a front perspective view of the light fixture showing  
my new design;

FIG. 2 is a rear perspective view thereof;

FIG. 3 is a front elevational view thereof;

FIG. 4 is a rear elevational view thereof;

FIG. 5 is a left side elevational view thereof;

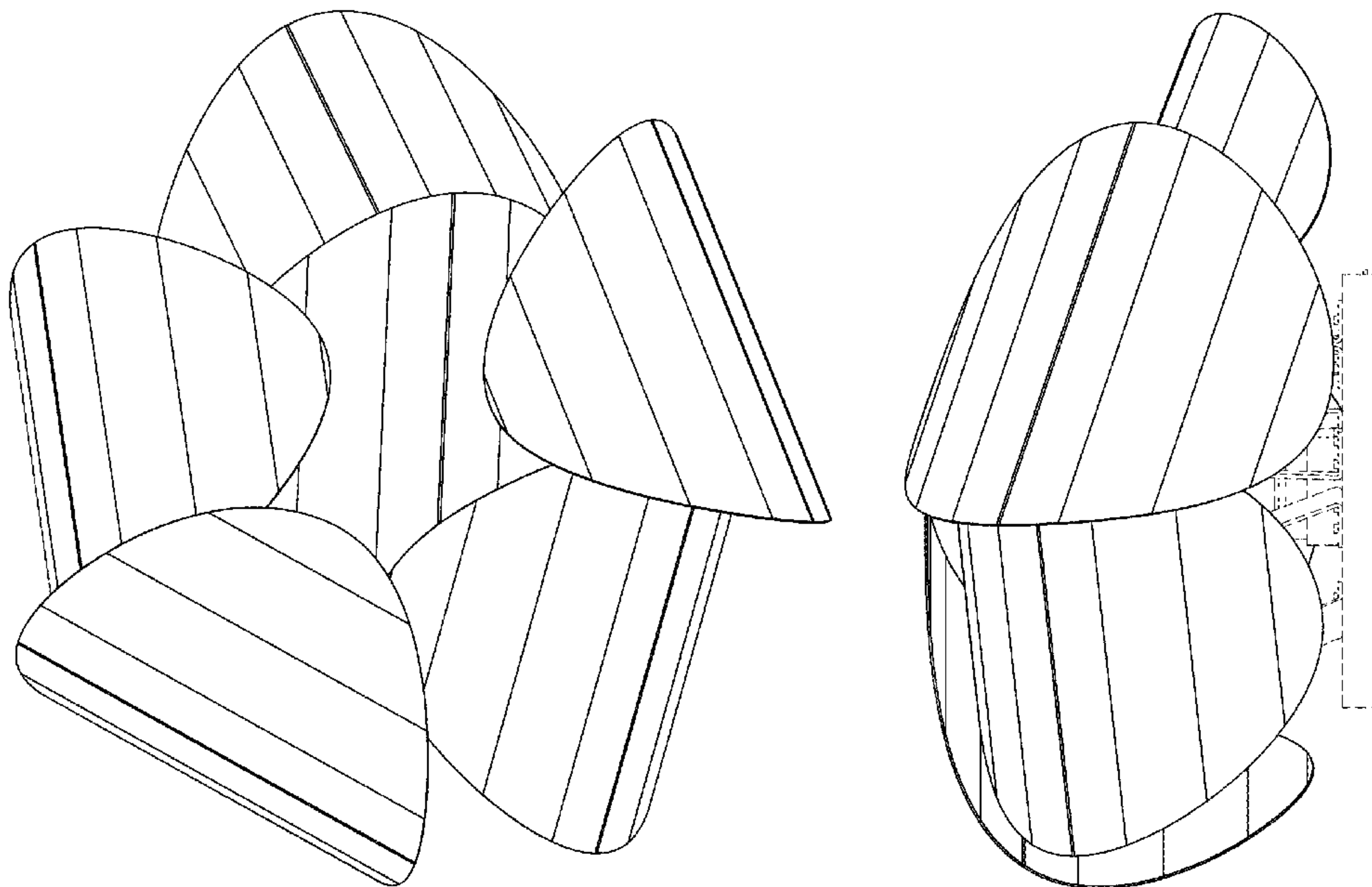
FIG. 6 is a right side elevational view thereof;

FIG. 7 is a top plan view thereof; and,

FIG. 8 is a bottom plan view thereof.

The broken lines shown in the drawings are included for the  
purpose of illustrating portions of the article that form no  
part of the claimed design.

**1 Claim, 7 Drawing Sheets**



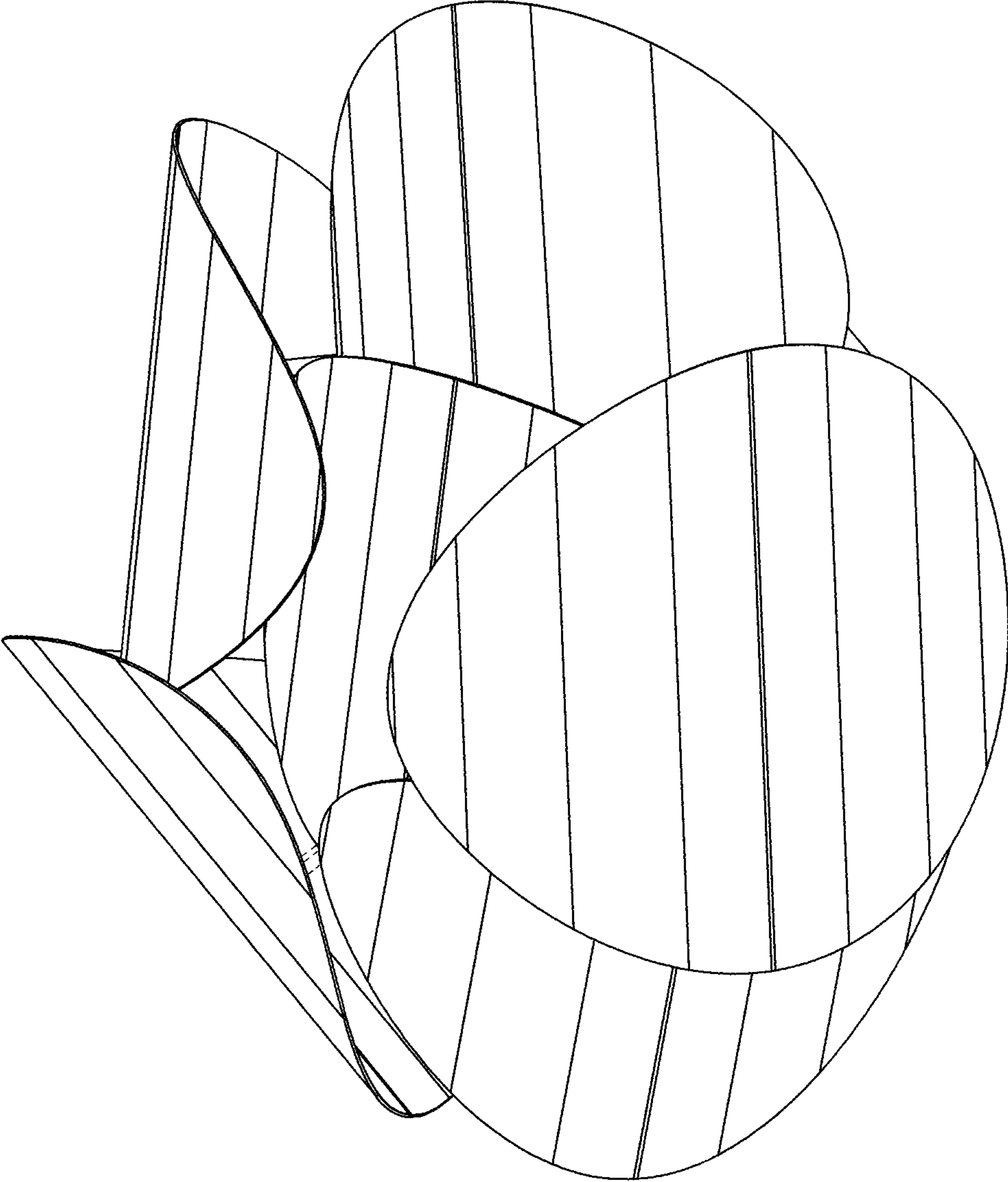


FIG. 1

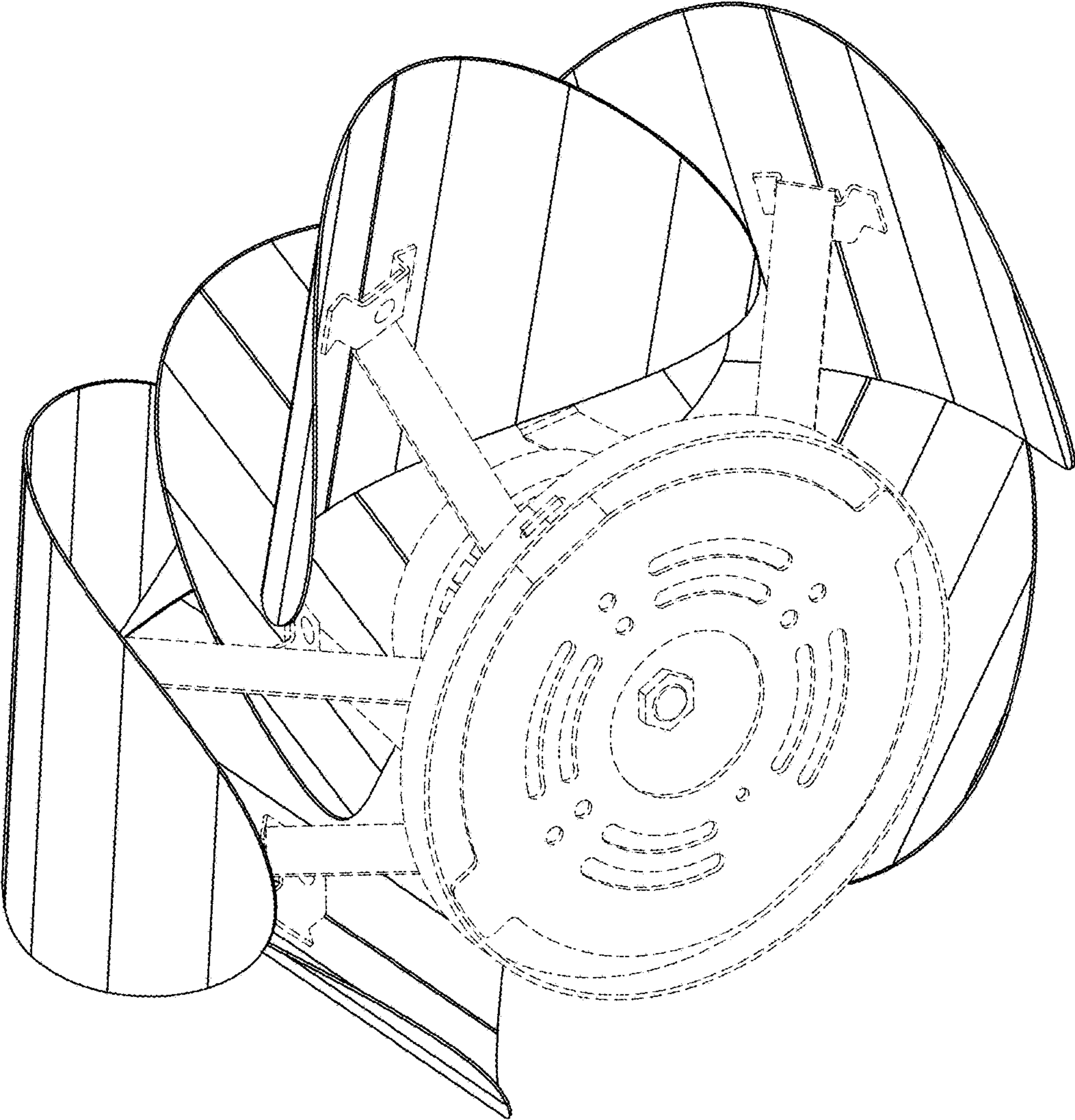


FIG. 2

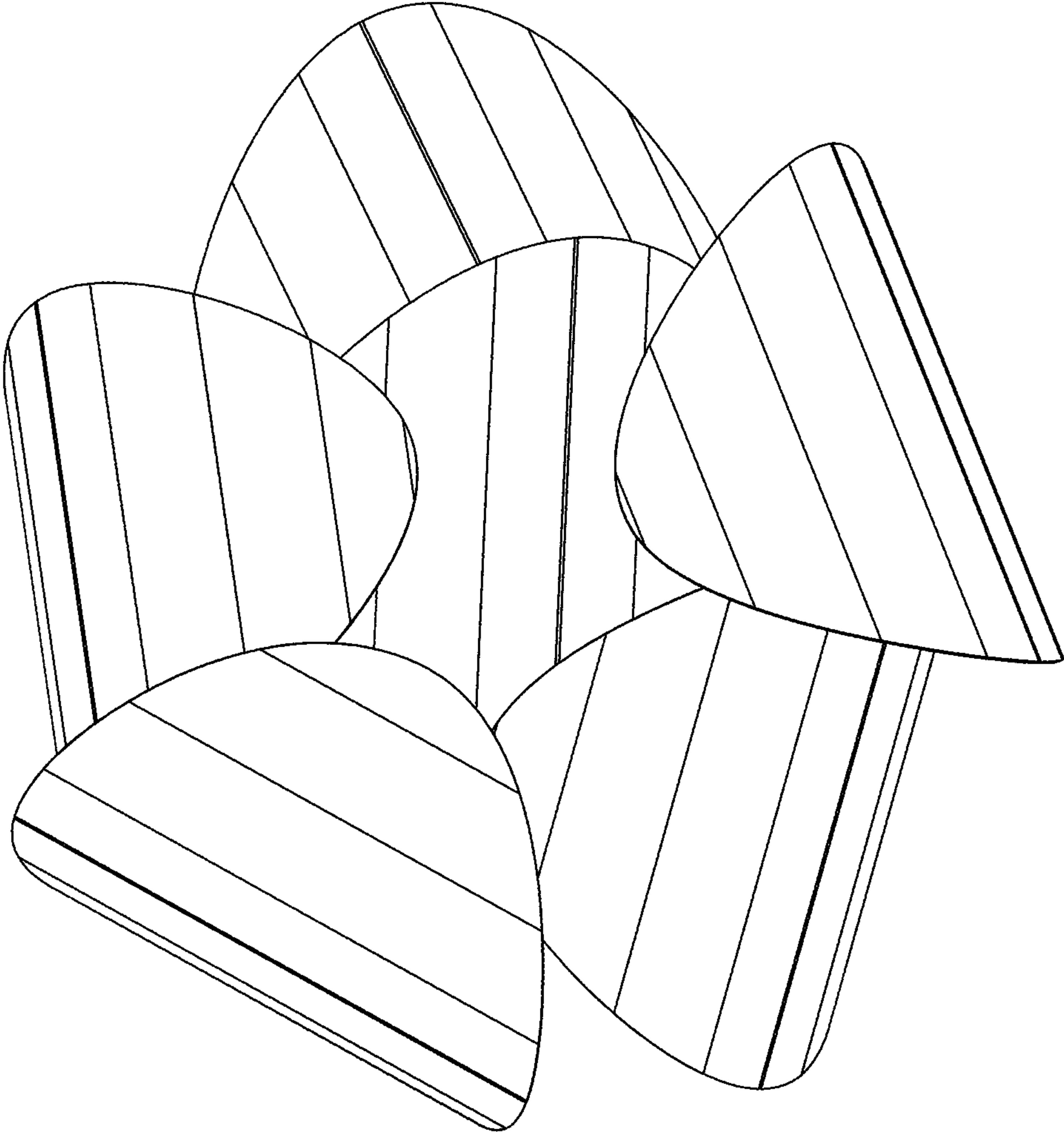


FIG. 3



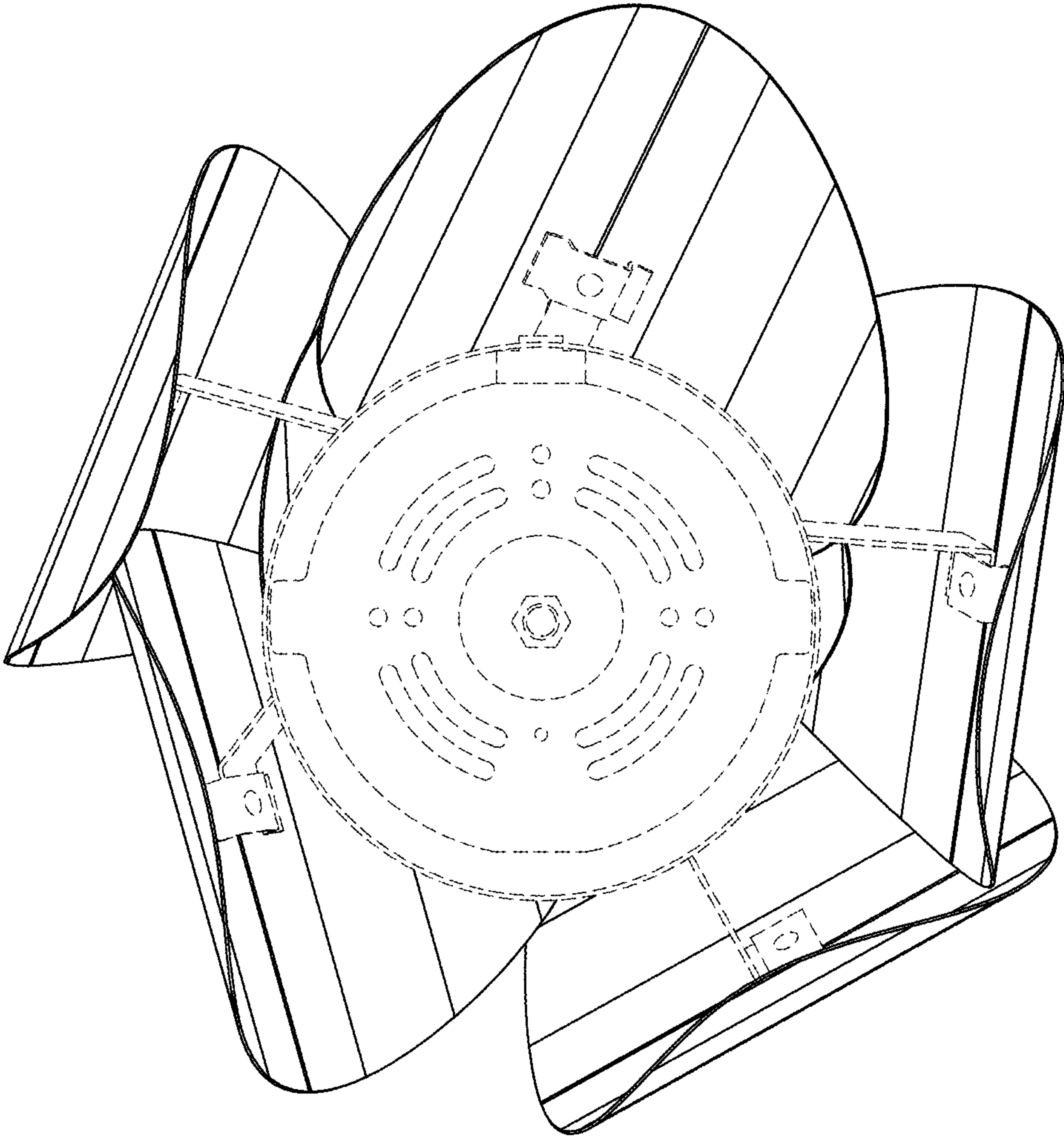


FIG. 4

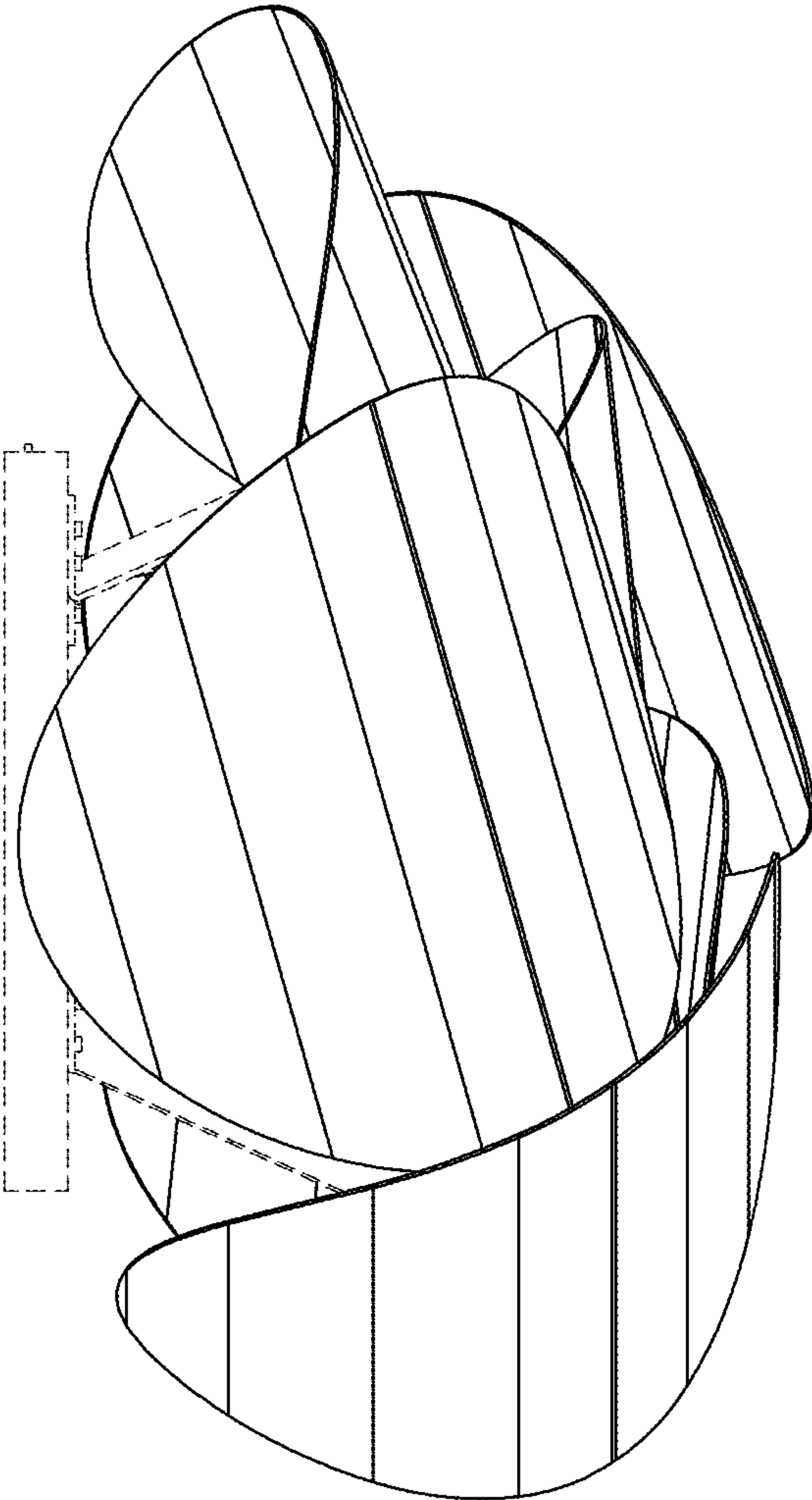


FIG. 5

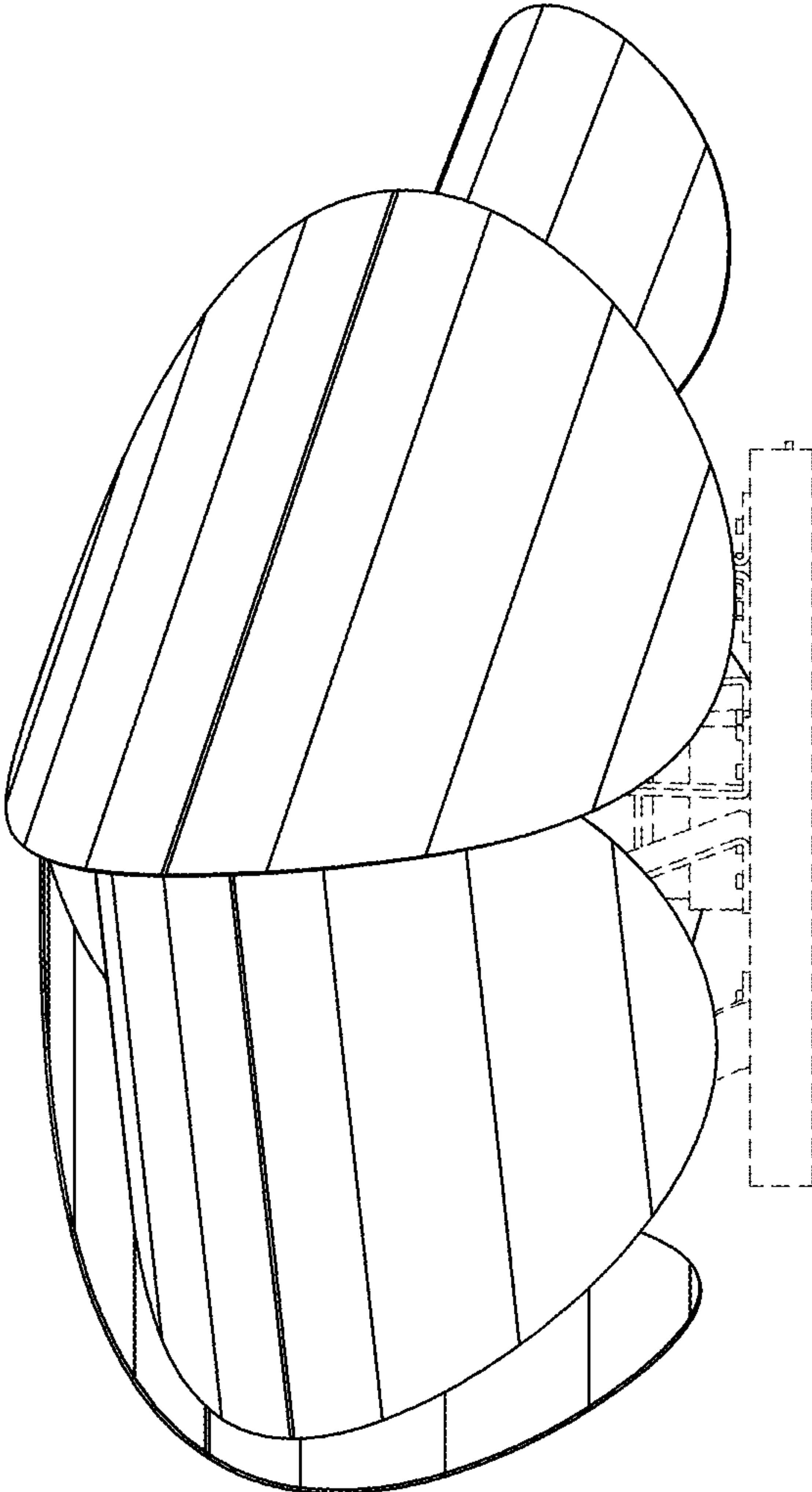


FIG.6

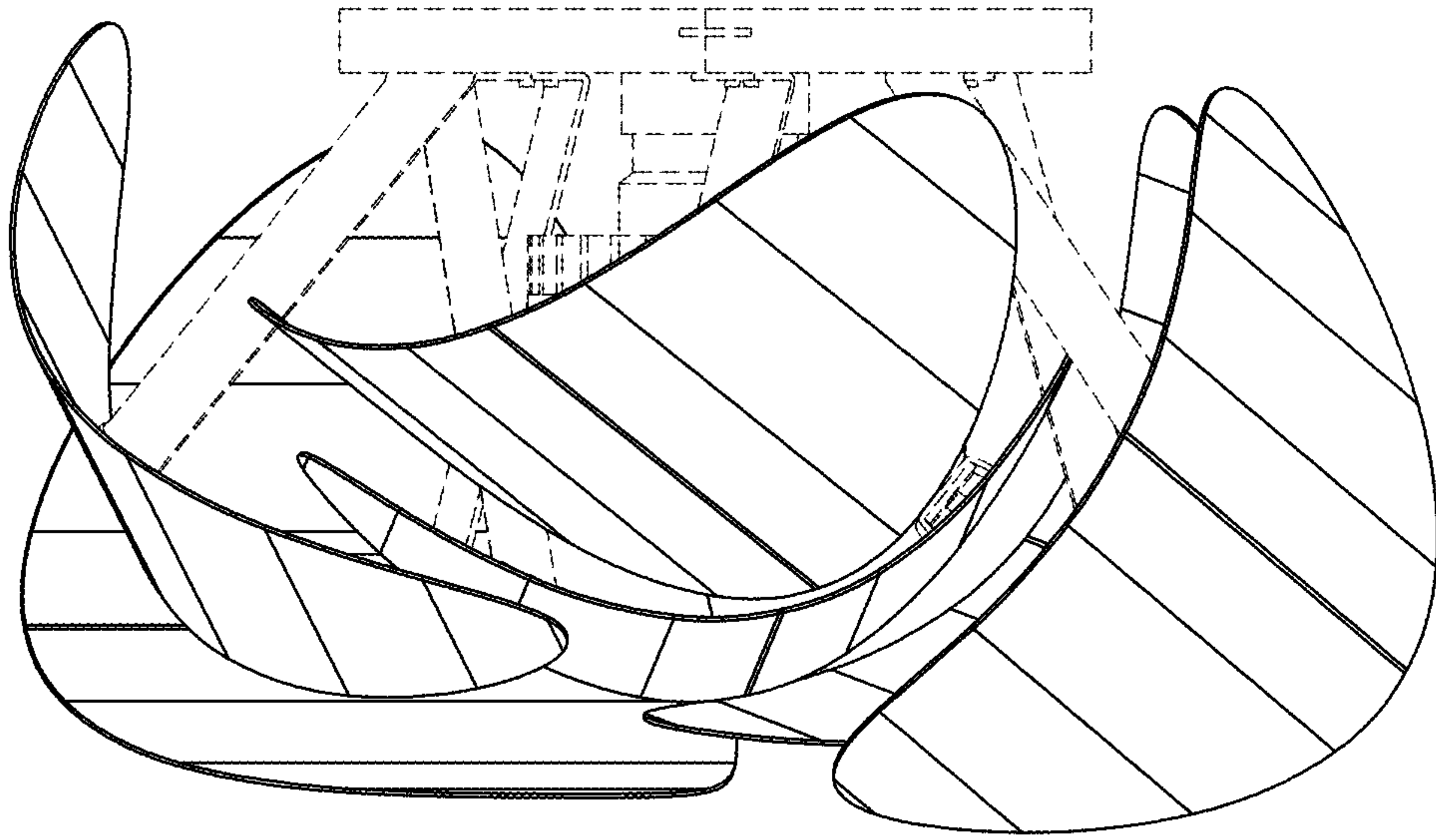


FIG. 7

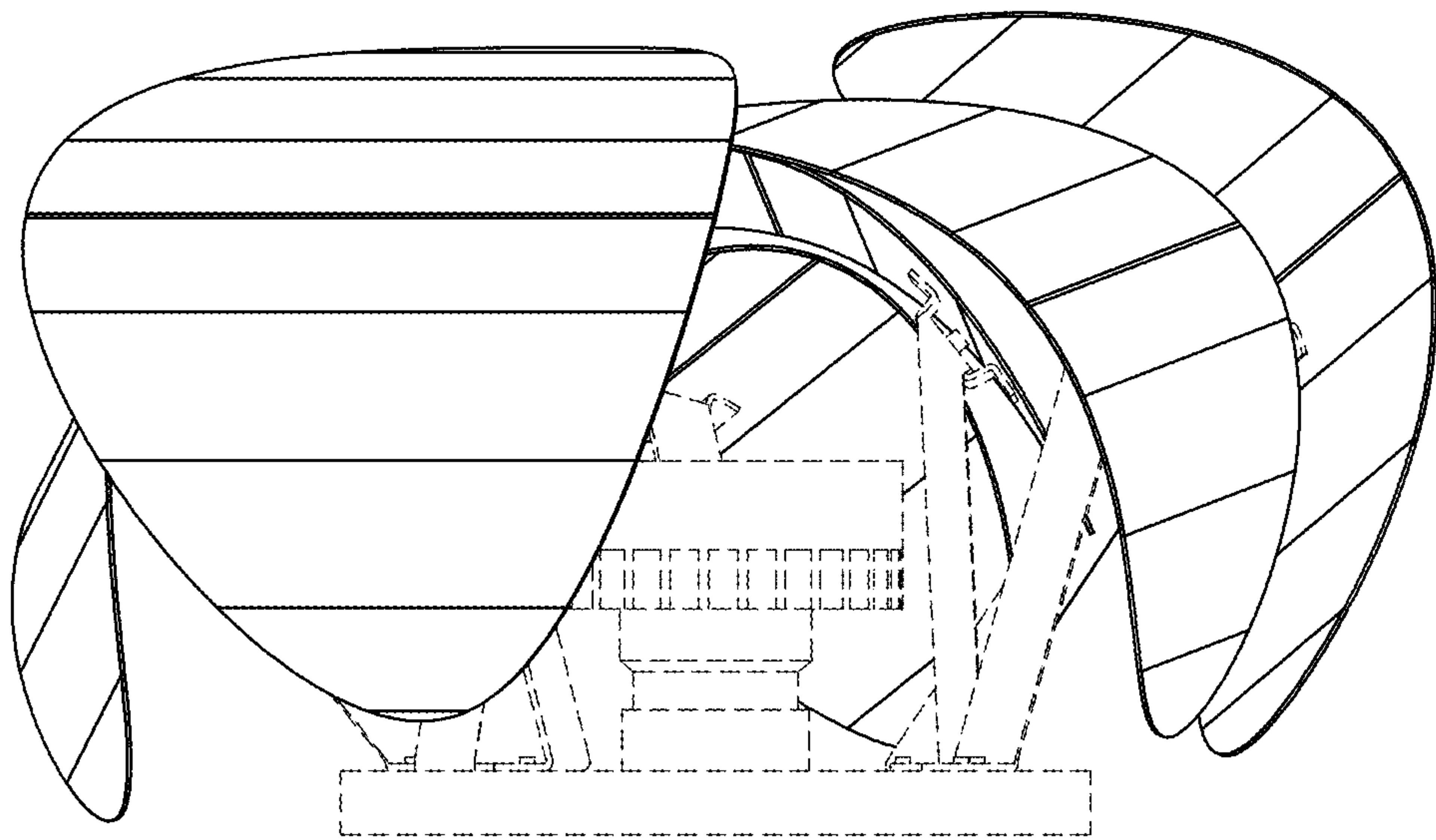


FIG. 8