



US00D791386S

(12) **United States Design Patent**  
**Arndt et al.**

(10) **Patent No.:** **US D791,386 S**  
(45) **Date of Patent:** **\*\* Jul. 4, 2017**

(54) **LUMINAIRE**

(71) Applicant: **Oldenburg Group Incorporated,**  
Milwaukee, WI (US)

(72) Inventors: **Michael A. Arndt,** Franklin, WI (US);  
**Alexander J. Murray,** Milwaukee, WI (US)

(73) Assignee: **Oldenburg Group Incorporated,**  
Milwaukee, WI (US)

(\*\*) Term: **15 Years**

(21) Appl. No.: **29/562,661**

(22) Filed: **Apr. 27, 2016**

(51) **LOC (10) Cl.** ..... **26-03**

(52) **U.S. Cl.**  
USPC ..... **D26/88; D26/91**

(58) **Field of Classification Search**  
USPC .... D26/67, 70, 72, 82–86, 88–91, 118, 120,  
D26/128, 129, 132  
CPC .... F21S 8/06; F21S 8/061; F21S 8/063; F21S  
8/065; F21S 8/068; F21V 3/0418; F21V  
3/0427; F21V 3/0436; F21V 3/0445;  
F21V 21/008; F21V 21/104  
See application file for complete search history.

(56) **References Cited**

U.S. PATENT DOCUMENTS

D293,723	S *	1/1988	Buttner	.....	D26/129
D613,449	S *	4/2010	Ngai	.....	D26/120
D623,795	S *	9/2010	Ngai	.....	D26/120
D633,639	S *	3/2011	Vincent	.....	D26/128
D643,566	S *	8/2011	Hickok	.....	D26/120
D645,196	S *	9/2011	Hickok	.....	D26/120
D661,421	S *	6/2012	Hor	.....	D26/63
8,419,206	B2 *	4/2013	Tran	.....	F21V 23/001 174/480
D701,991	S *	4/2014	Blum	.....	D26/90

D732,227	S *	6/2015	Blum	.....	D26/88
D759,292	S *	6/2016	Zahn	.....	D26/120
2008/0180936	A1 *	7/2008	Ogashiwa	.....	F21S 8/06 362/84

(Continued)

*Primary Examiner* — Clare E Heflin

(74) *Attorney, Agent, or Firm* — Michael Best & Friedrich LLP

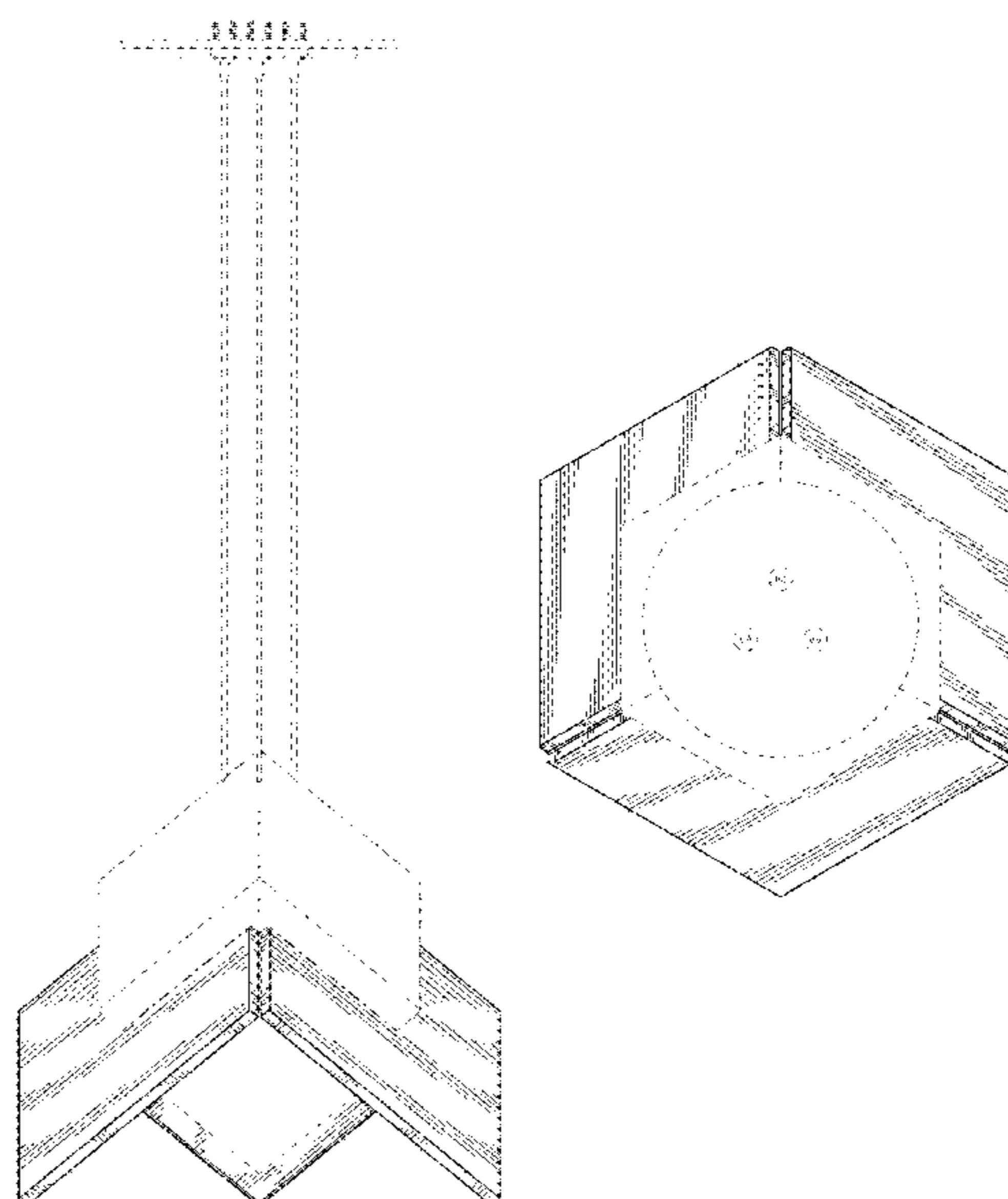
(57) **CLAIM**

We claim the ornamental design for a luminaire, as shown and described.

**DESCRIPTION**

FIG. 1 is a perspective view of a luminaire.  
 FIG. 2 is a front view of the luminaire shown in FIG. 1.  
 FIG. 3 is a rear view of the luminaire shown in FIG. 1.  
 FIG. 4 is a right side view of the luminaire shown in FIG. 1.  
 FIG. 5 is a left side view of the luminaire shown in FIG. 1.  
 FIG. 6 is a top view of the luminaire shown in FIG. 1.  
 FIG. 7 is a bottom view of the luminaire shown in FIG. 1.  
 FIG. 8 is a perspective view of a luminaire.  
 FIG. 9 is a front view of the luminaire shown in FIG. 8.  
 FIG. 10 is a rear view of the luminaire shown in FIG. 8.  
 FIG. 11 is a right side view of the luminaire shown in FIG. 8.  
 FIG. 12 is a left side view of the luminaire shown in FIG. 8.  
 FIG. 13 is a top view of the luminaire shown in FIG. 8; and,  
 FIG. 14 is a bottom view of the luminaire shown in FIG. 8.  
 The broken lines shown on the drawings having equal length depict portions of the luminaire that form no part of the claimed design. The broken lines of unequal length depict the boundary of the claimed design and form no part of the claimed design.

**1 Claim, 8 Drawing Sheets**



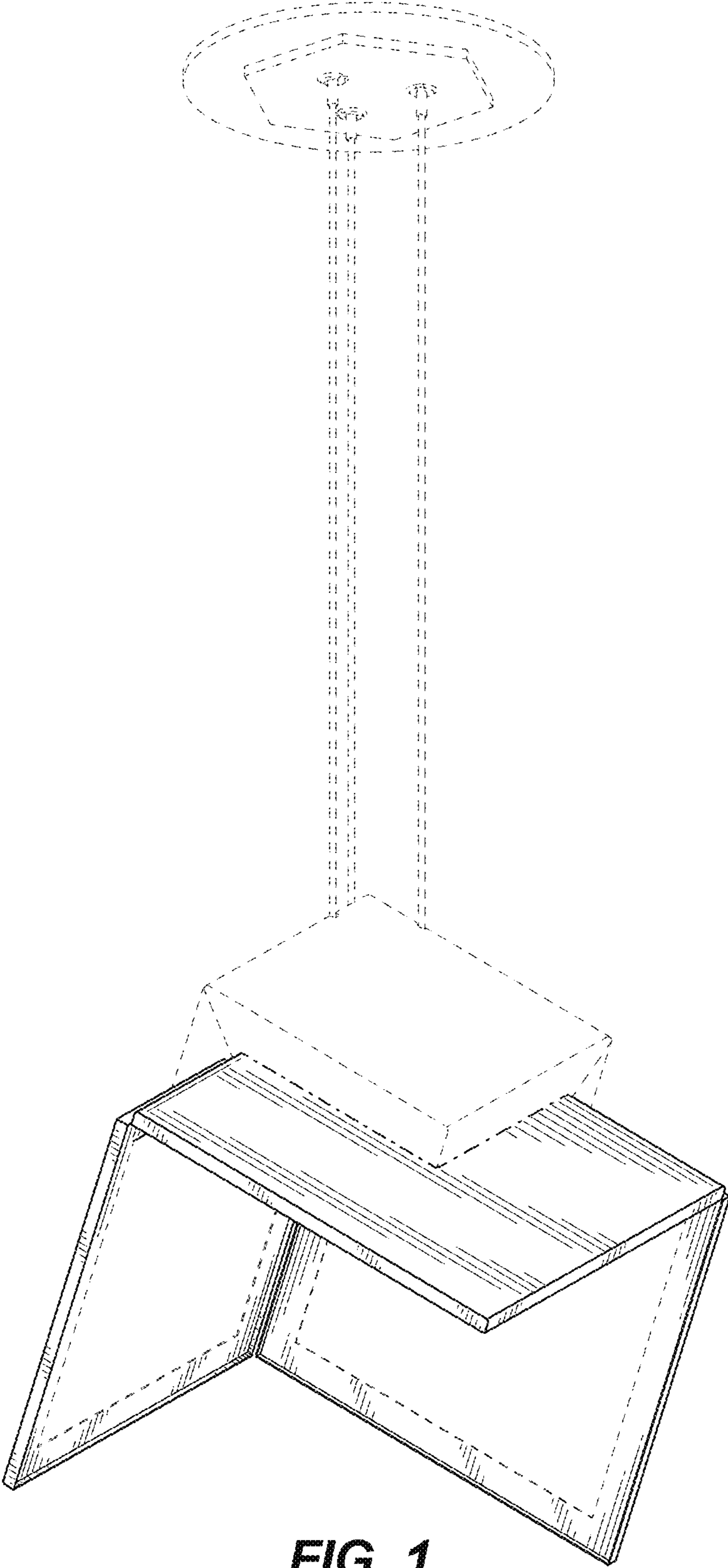
(56)

**References Cited**

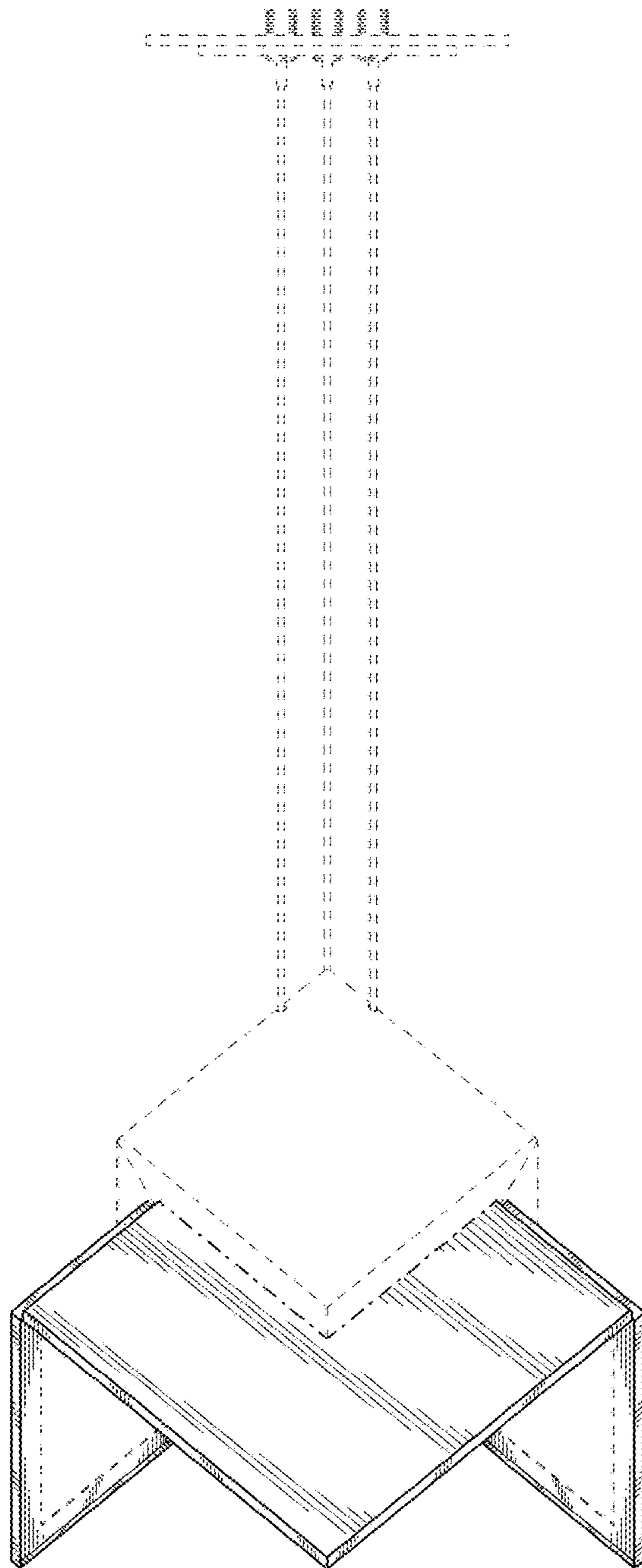
U.S. PATENT DOCUMENTS

2010/0110687	A1*	5/2010	Zheng .....	F21S 2/005 362/249.06
2012/0294016	A1*	11/2012	Tran .....	F21S 2/005 362/382
2012/0300437	A1*	11/2012	Lu .....	F21V 21/005 362/147
2014/0268766	A1*	9/2014	Lu .....	F21V 21/30 362/249.1

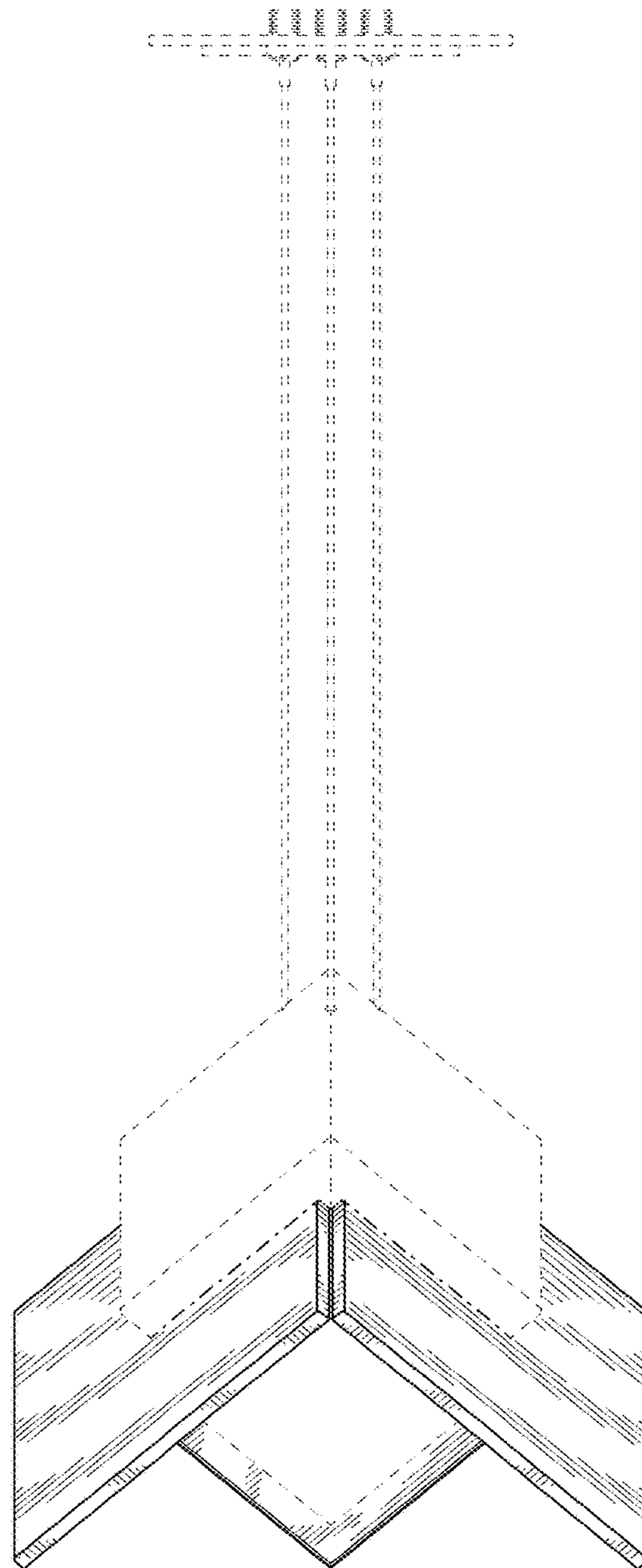
\* cited by examiner



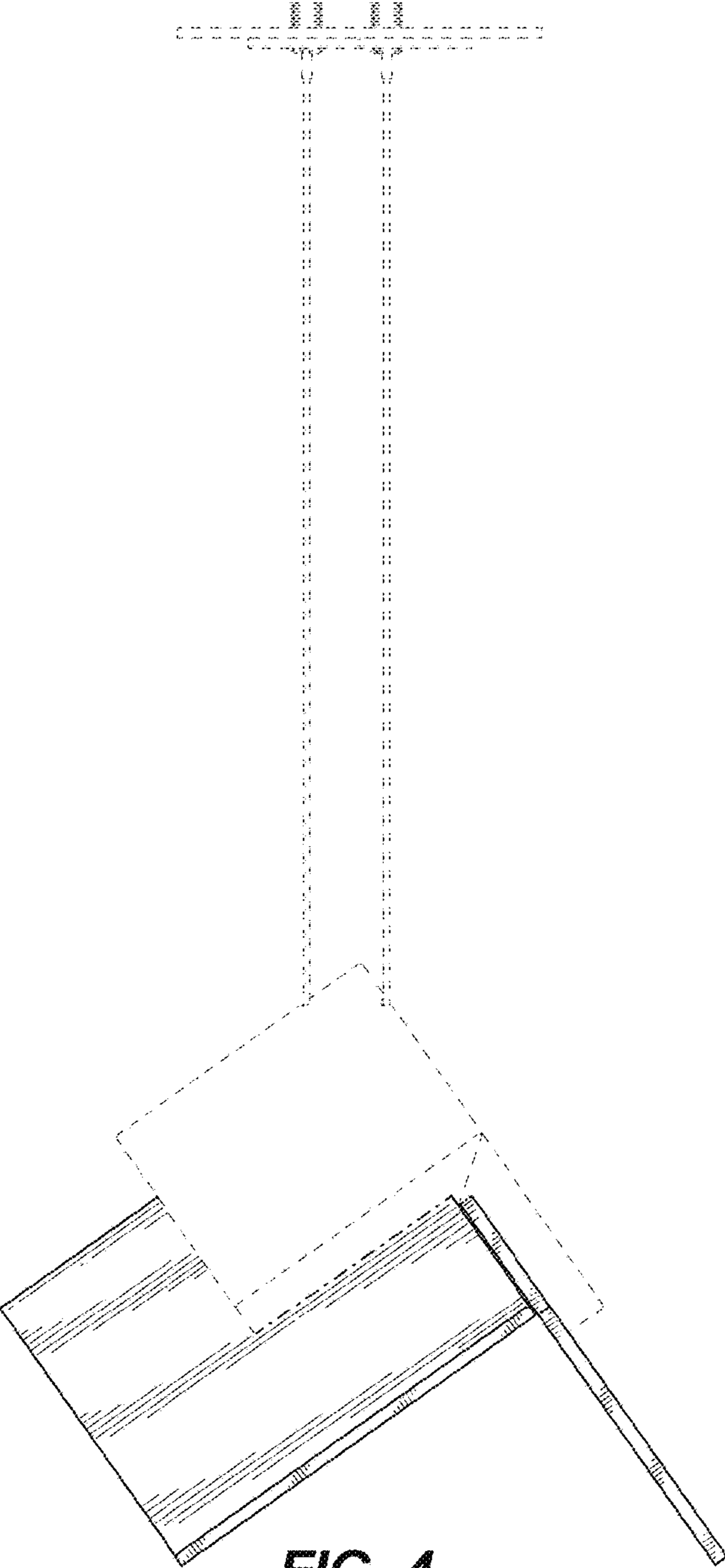
**FIG. 1**



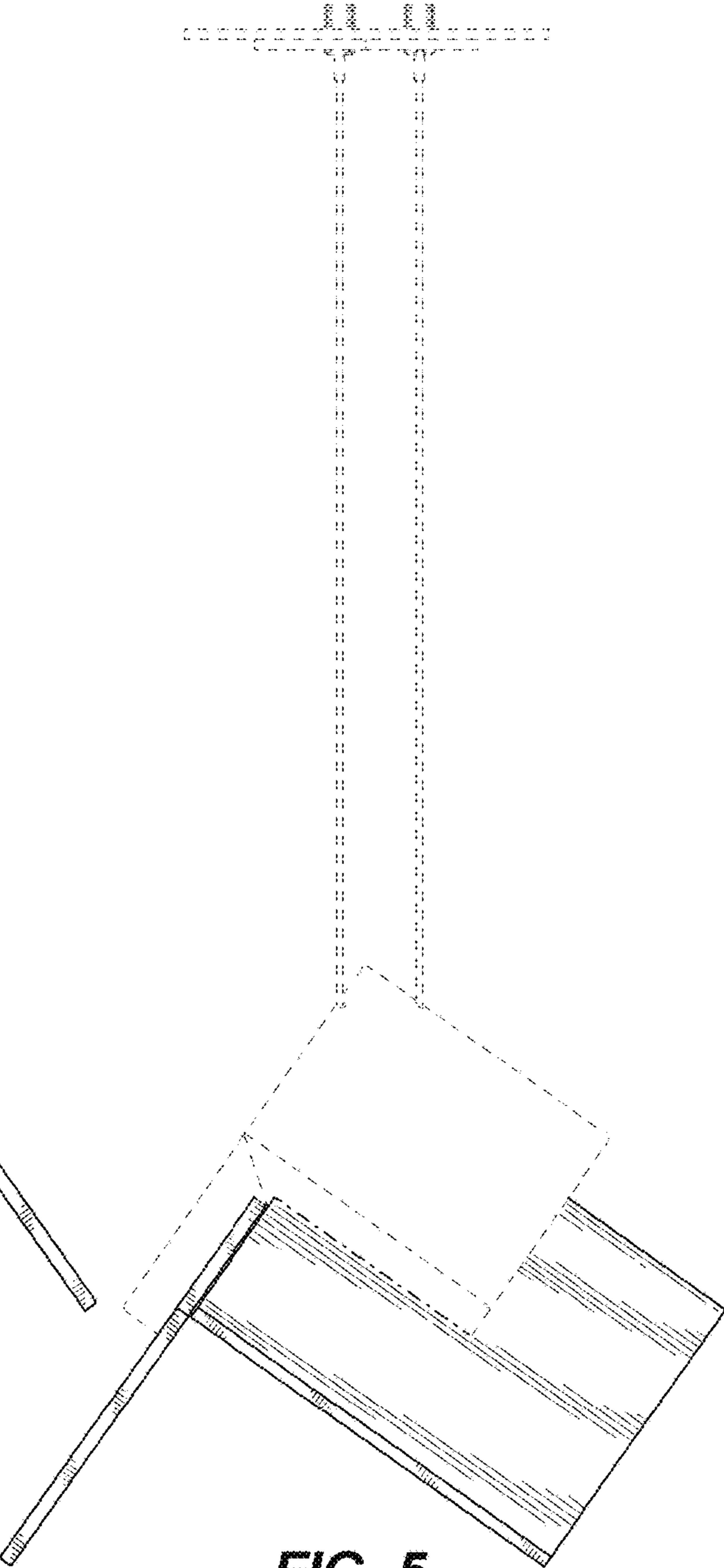
**FIG. 2**



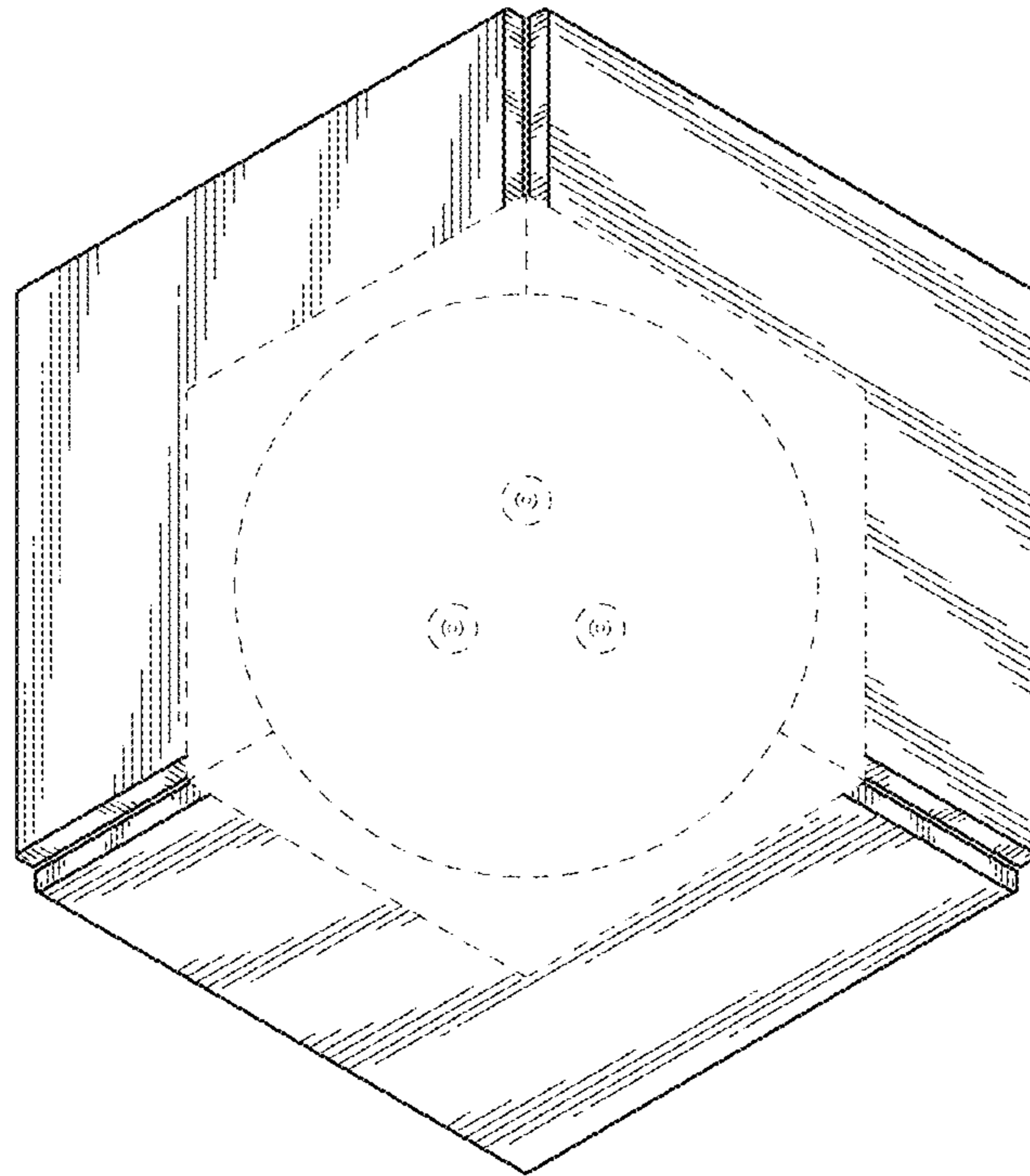
**FIG. 3**



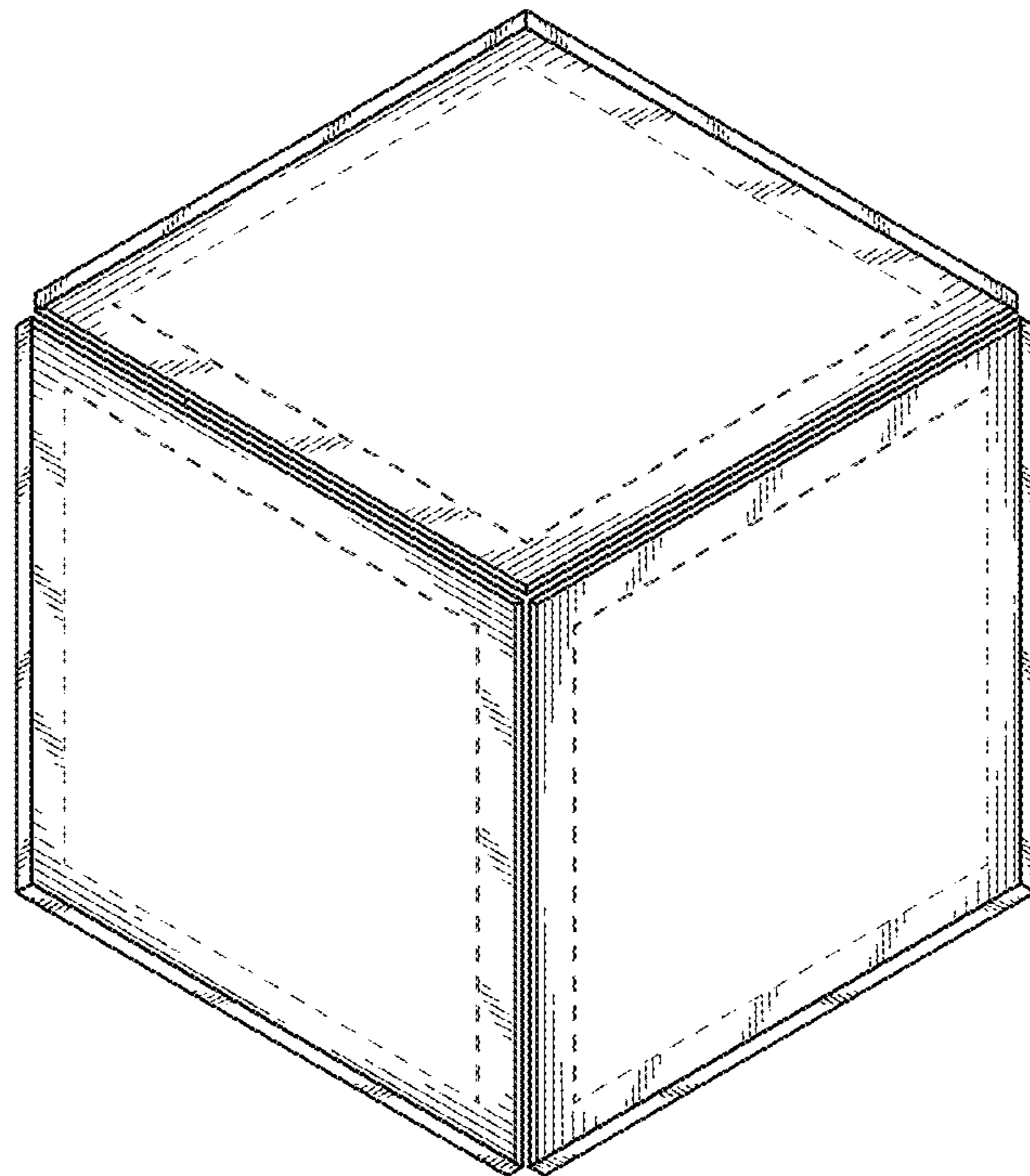
**FIG. 4**



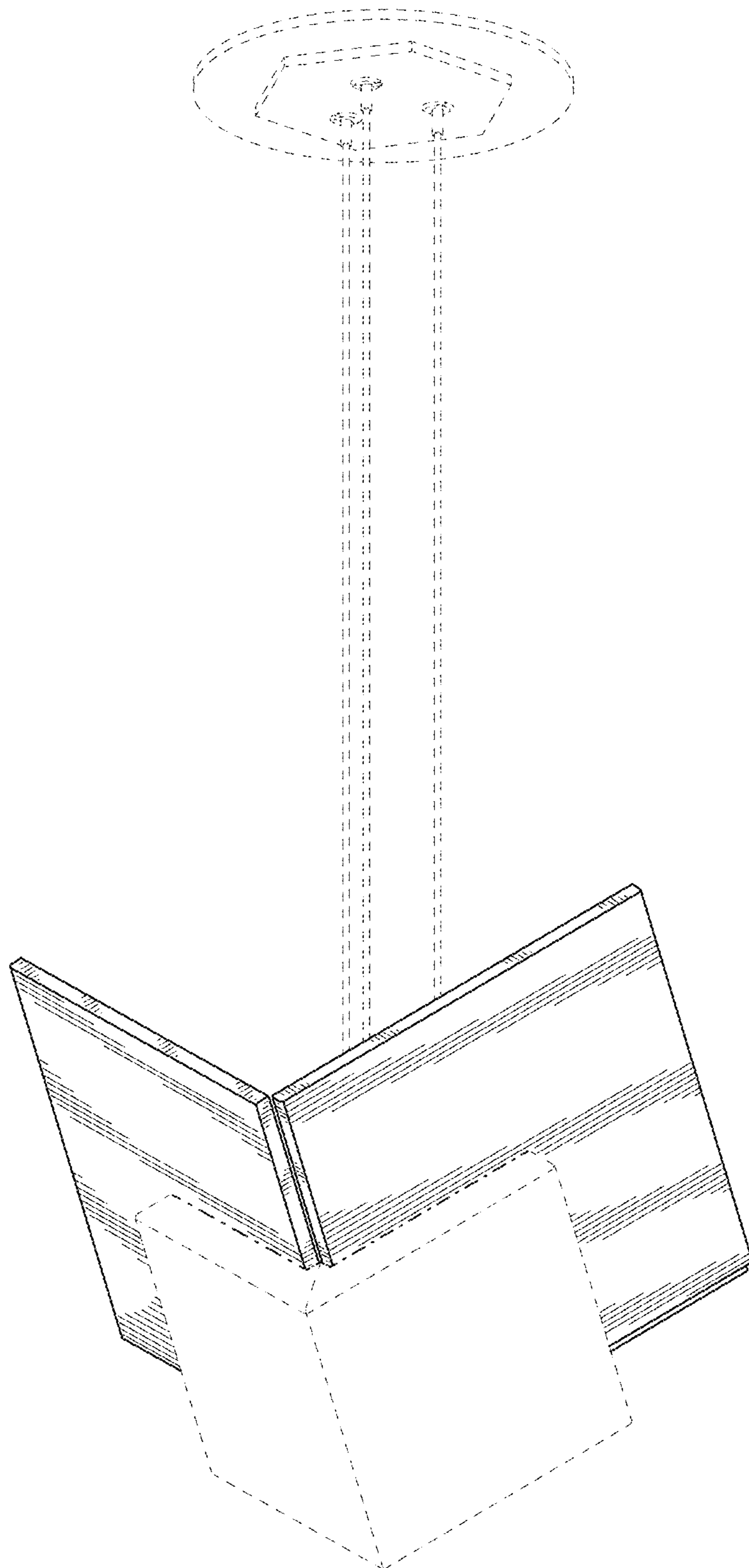
**FIG. 5**



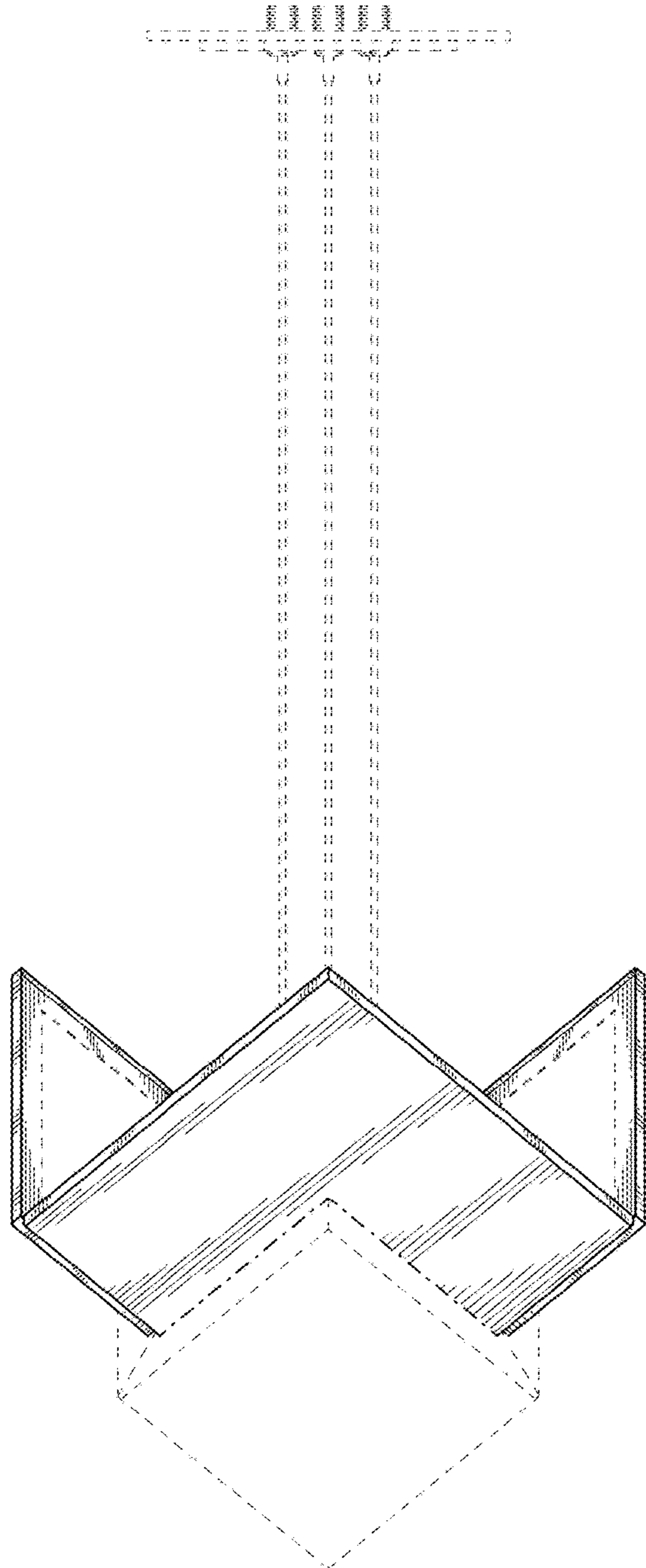
**FIG. 6**



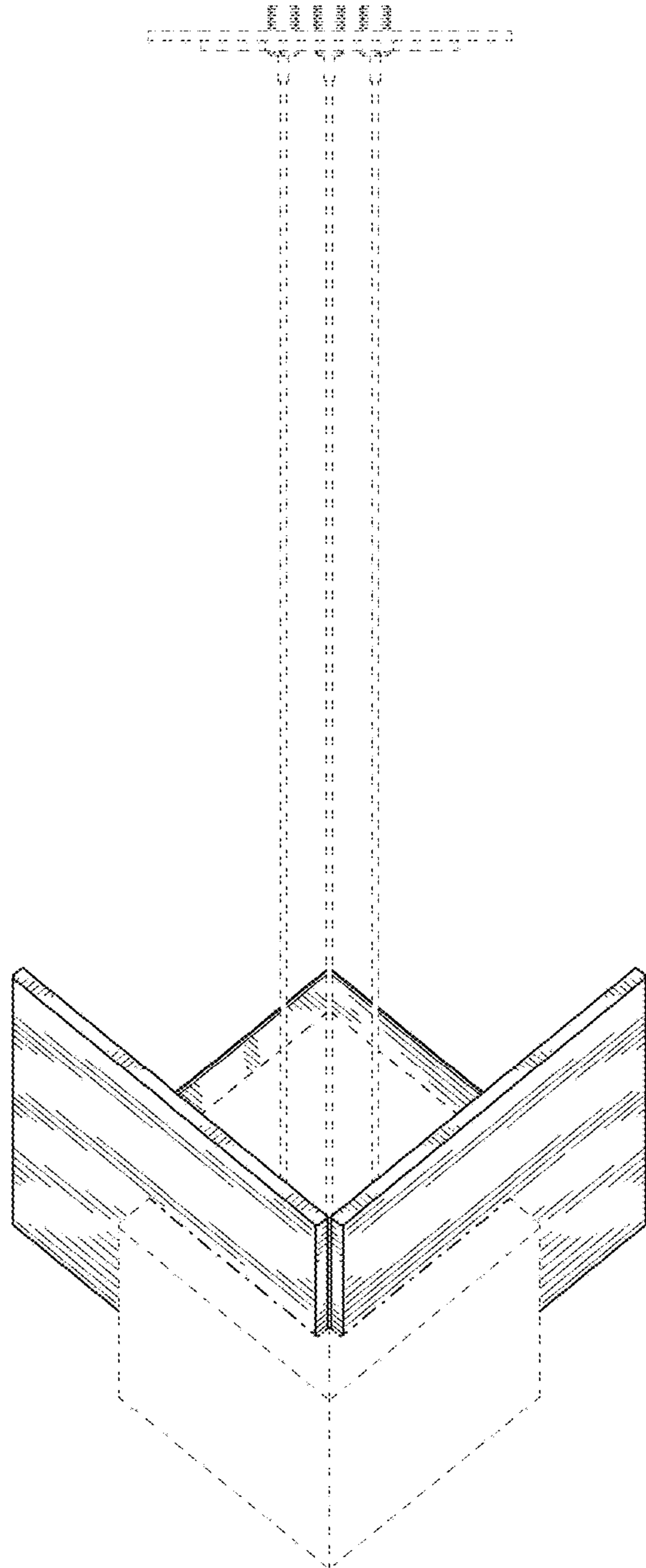
**FIG. 7**



**FIG. 8**

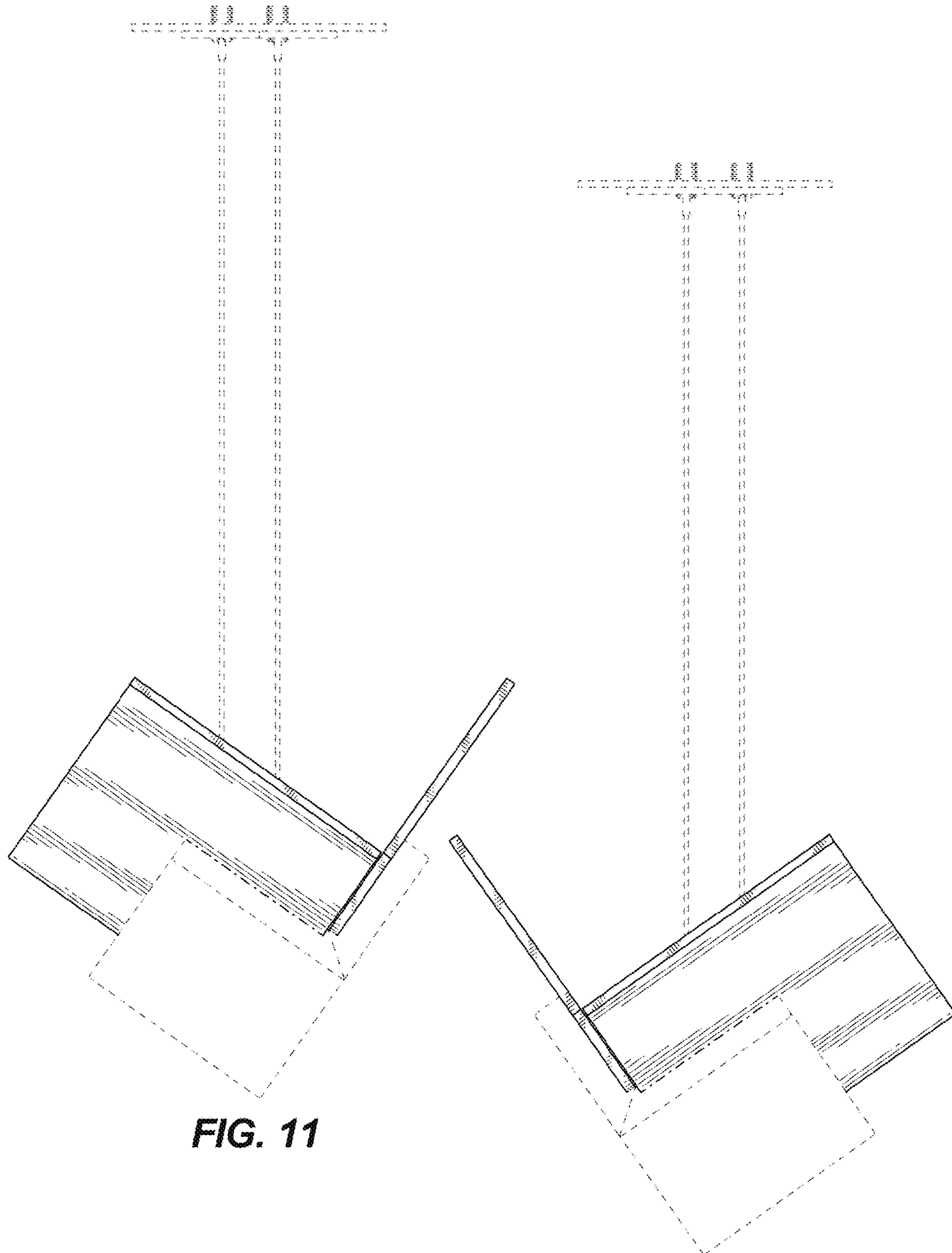


**FIG. 9**



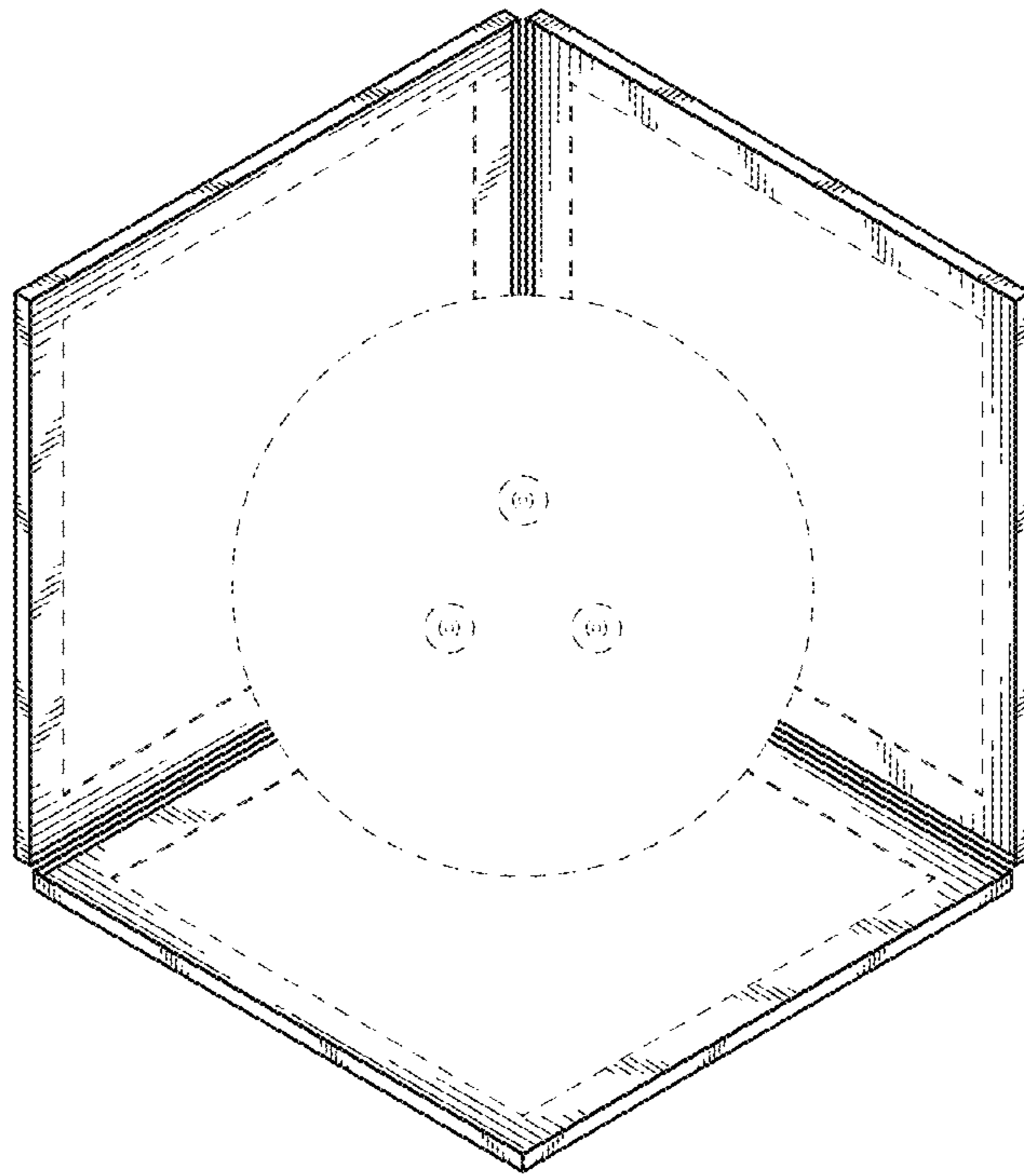
**FIG. 10**



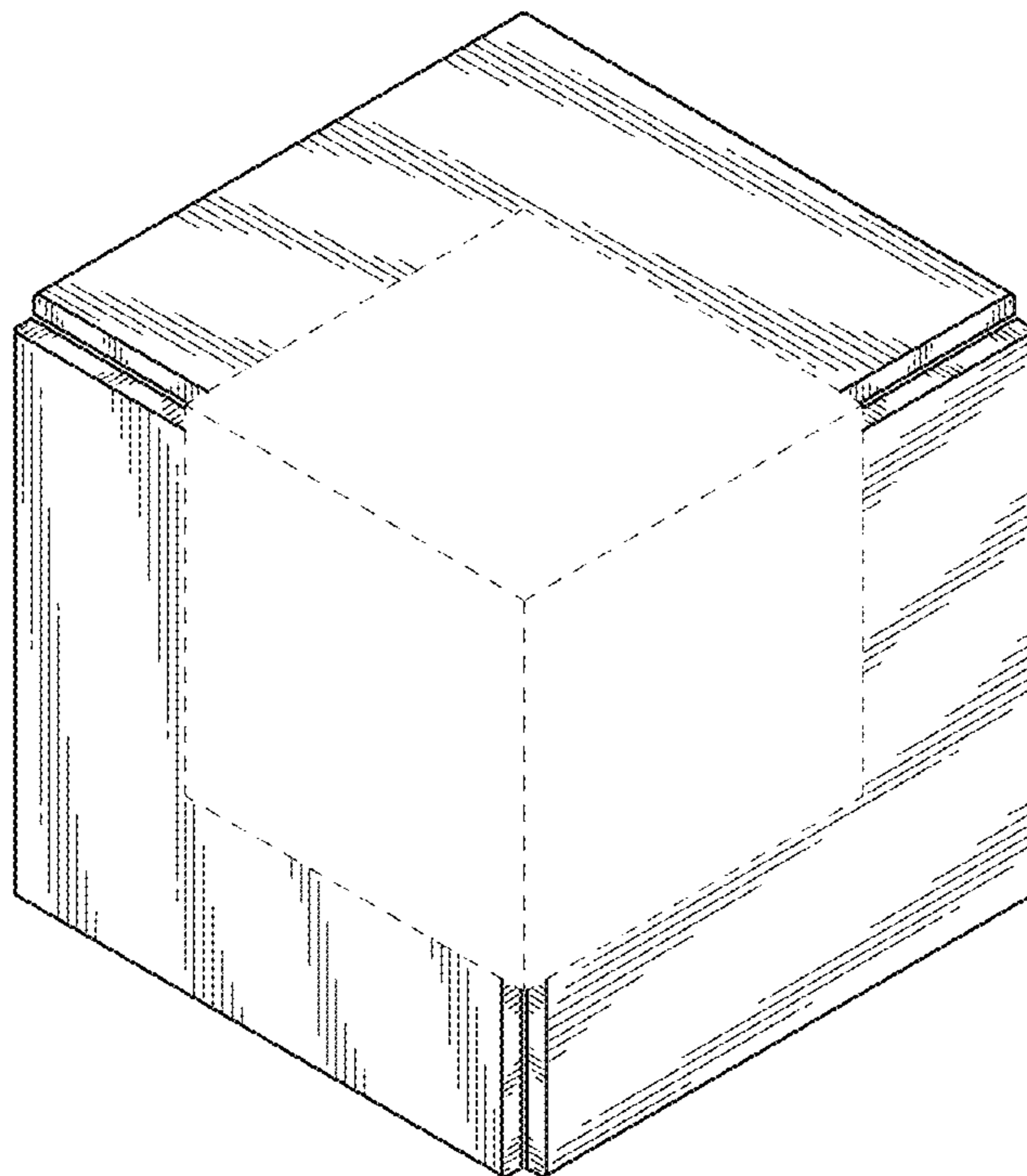


**FIG. 11**

**FIG. 12**



**FIG. 13**



**FIG. 14**