



US00D791385S

(12) **United States Design Patent**
Sonneman

(10) **Patent No.:** **US D791,385 S**

(45) **Date of Patent:** **** Jul. 4, 2017**

(54) **LIGHT FIXTURE**

(71) Applicant: **Robert A. Sonneman**, Mamaroneck,
NY (US)

(72) Inventor: **Robert A. Sonneman**, Mamaroneck,
NY (US)

(**) Term: **15 Years**

(21) Appl. No.: **29/592,498**

(22) Filed: **Jan. 31, 2017**

(51) **LOC (10) Cl.** **26-03**

(52) **U.S. Cl.**
USPC **D26/84**

(58) **Field of Classification Search**
USPC D26/80-91, 118, 128
CPC F21S 8/03; F21S 8/033; F21S 8/036; F21S
8/04; F21S 8/043; F21S 8/046; F21S
8/06; F21S 8/061; F21S 8/063; F21S
8/065; F21S 8/068

See application file for complete search history.

(56) **References Cited**

U.S. PATENT DOCUMENTS

D42,583 S *	6/1912	Morgan	D26/81
D49,562 S *	8/1916	Bayley	D26/82
D134,482 S *	12/1942	Ganger	D26/81
3,745,327 A *	7/1973	Lowery	F21S 8/033 362/146
D237,001 S *	9/1975	Von Serda	D11/147
D288,136 S *	2/1987	Pfister	D26/87
D298,059 S *	10/1988	Muller	D26/86
D429,835 S *	8/2000	Hammar	D26/142
D541,970 S *	5/2007	Blackman	D26/81
D565,779 S *	4/2008	Meise	D26/84
D630,368 S *	1/2011	de Rijck	D26/89
D655,847 S *	3/2012	Sabernig	D26/83
D656,653 S *	3/2012	Sabernig	D26/83

D666,764 S *	9/2012	Gilad	D26/79
D719,698 S *	12/2014	Mollaghaffari	D26/81
D729,430 S *	5/2015	Poulton	D26/88
D780,979 S *	3/2017	Urquiola	D26/88

OTHER PUBLICATIONS

Ipparco table lamp by Neil Poulton—2012. Shown on p. 53 of the Artemide Design 2015 Catalog.(2 pages, includes front cover of catalog).*

LED Net Circle ceiling light fixture by Michele De Lucchi & Alberto Nason—2011. Shown on p. 53 of the Artemide Design 2015 Catalog.*

* cited by examiner

Primary Examiner — Clare E Heflin

(74) *Attorney, Agent, or Firm* — Gottlieb, Rackman & Reisman, P.C.

(57) **CLAIM**

The ornamental design for a light fixture, as shown and described.

DESCRIPTION

FIG. 1 is a perspective view of the light fixture showing my new design;

FIG. 2 is a left side elevational view thereof;

FIG. 3 is a right side elevational view thereof;

FIG. 4 is a front elevational view thereof;

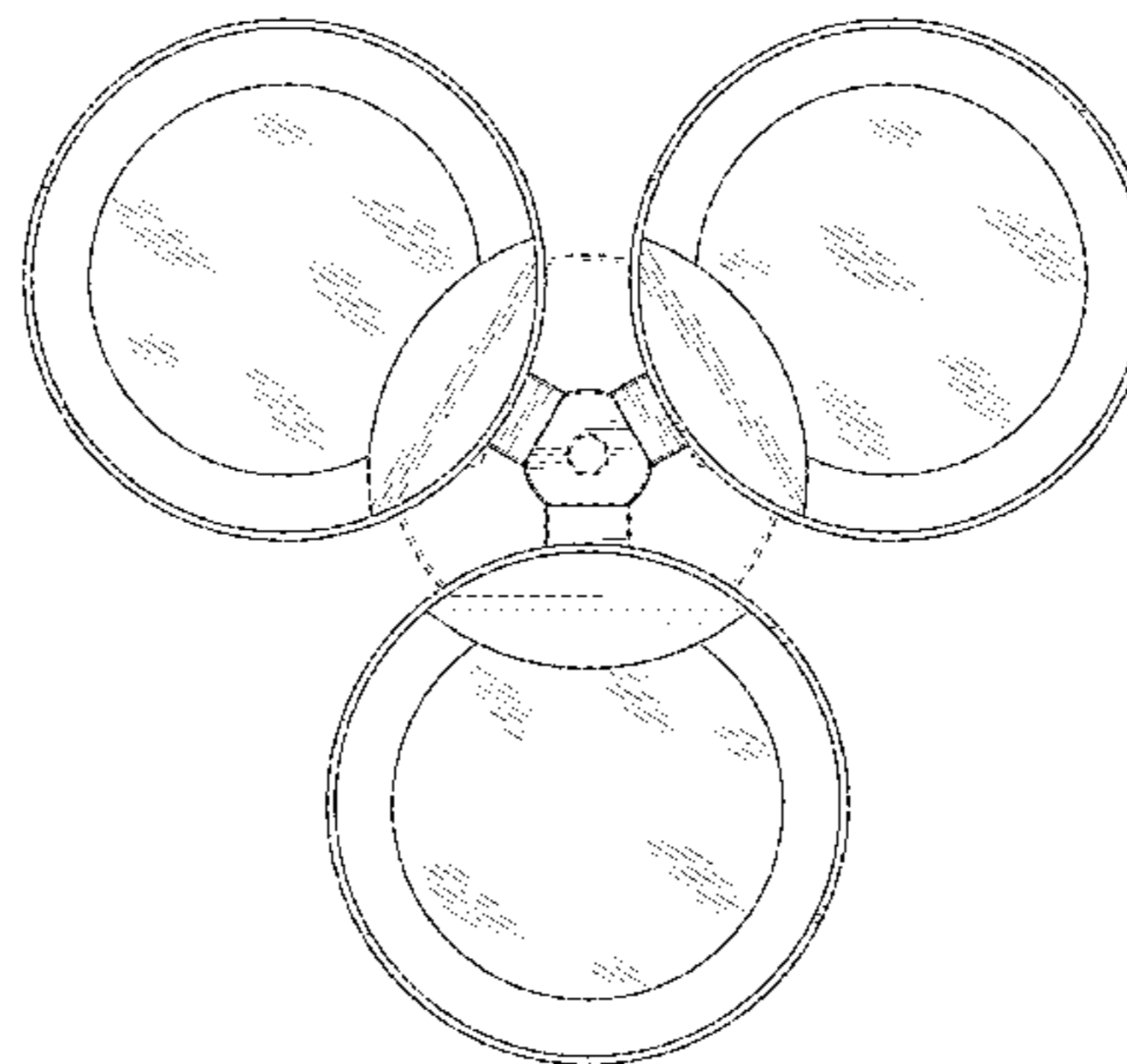
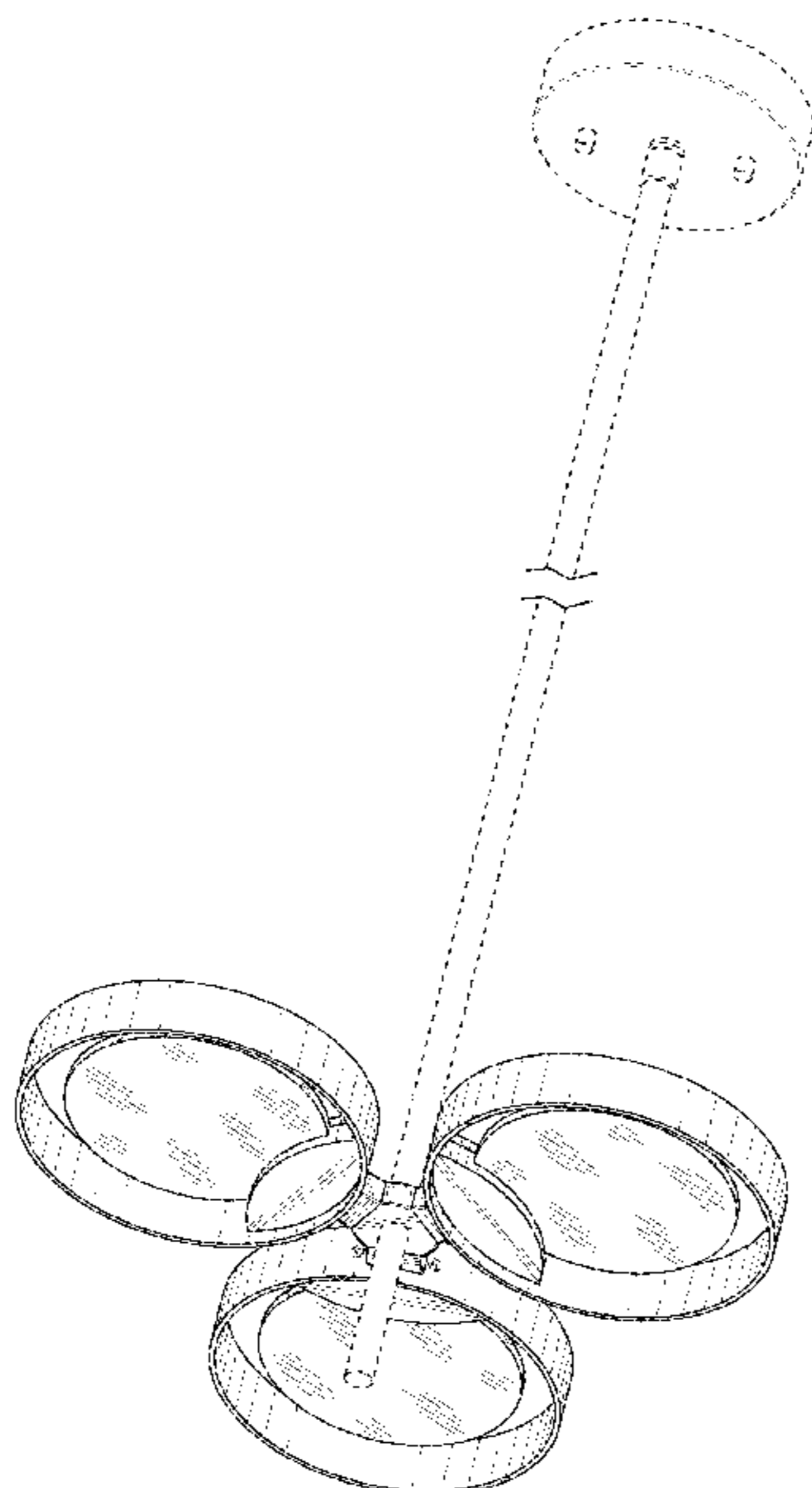
FIG. 5 is a rear elevational view thereof;

FIG. 6 is a top plan view thereof; and,

FIG. 7 is a bottom plan view thereof.

The broken lines shown in the drawings are included for the purpose of illustrating portions of the article that form no part of the claimed design.

1 Claim, 7 Drawing Sheets



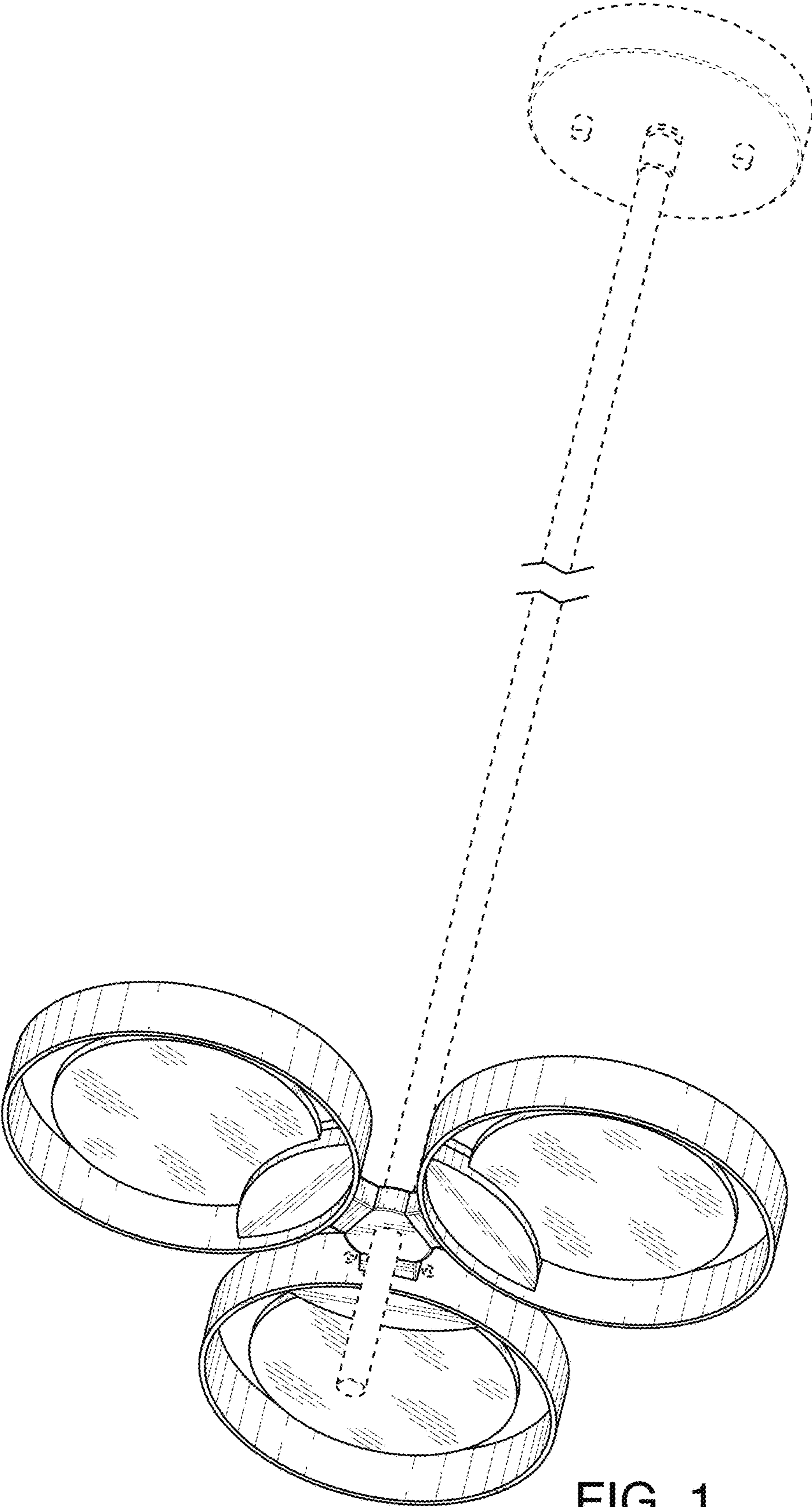


FIG. 1

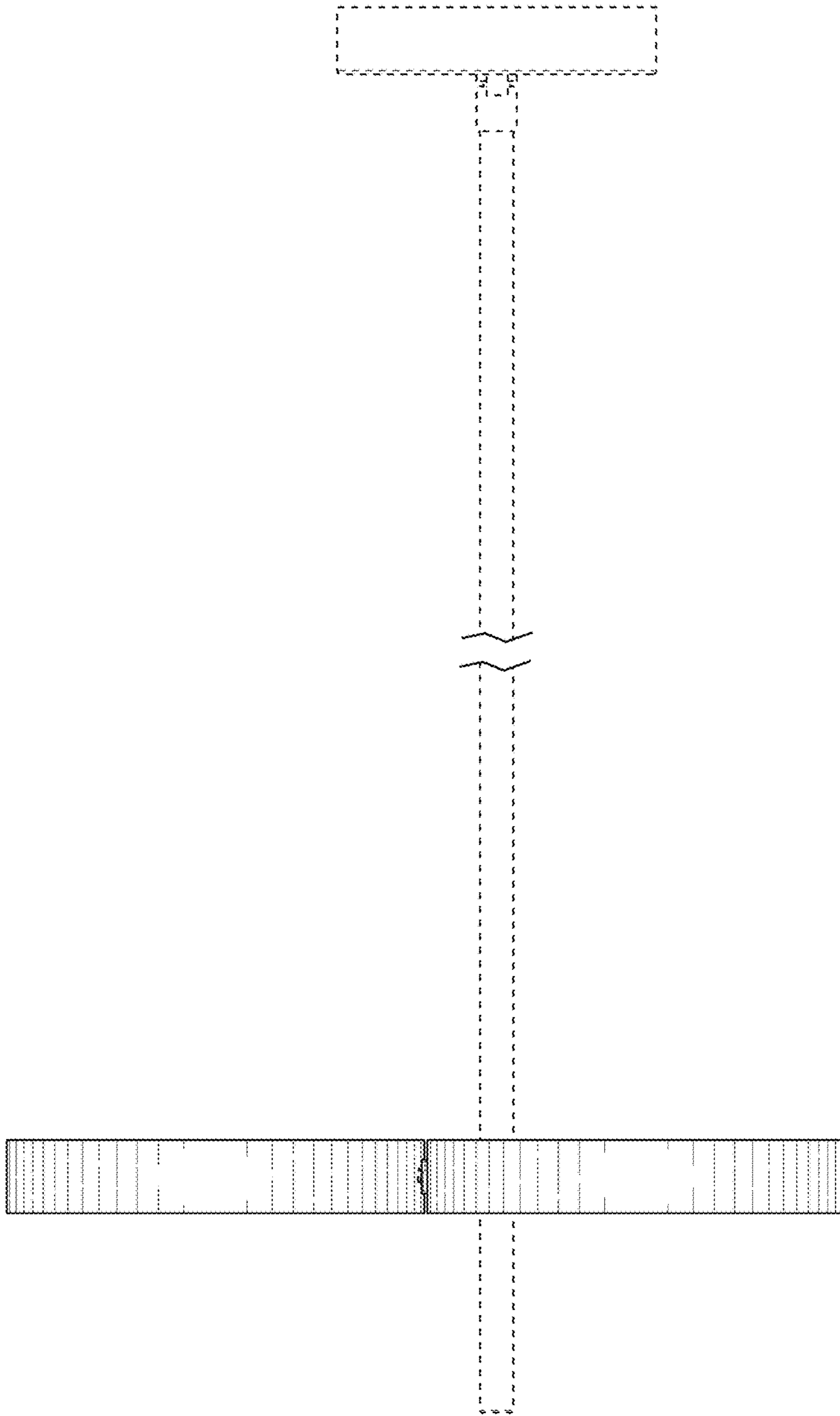


FIG. 2

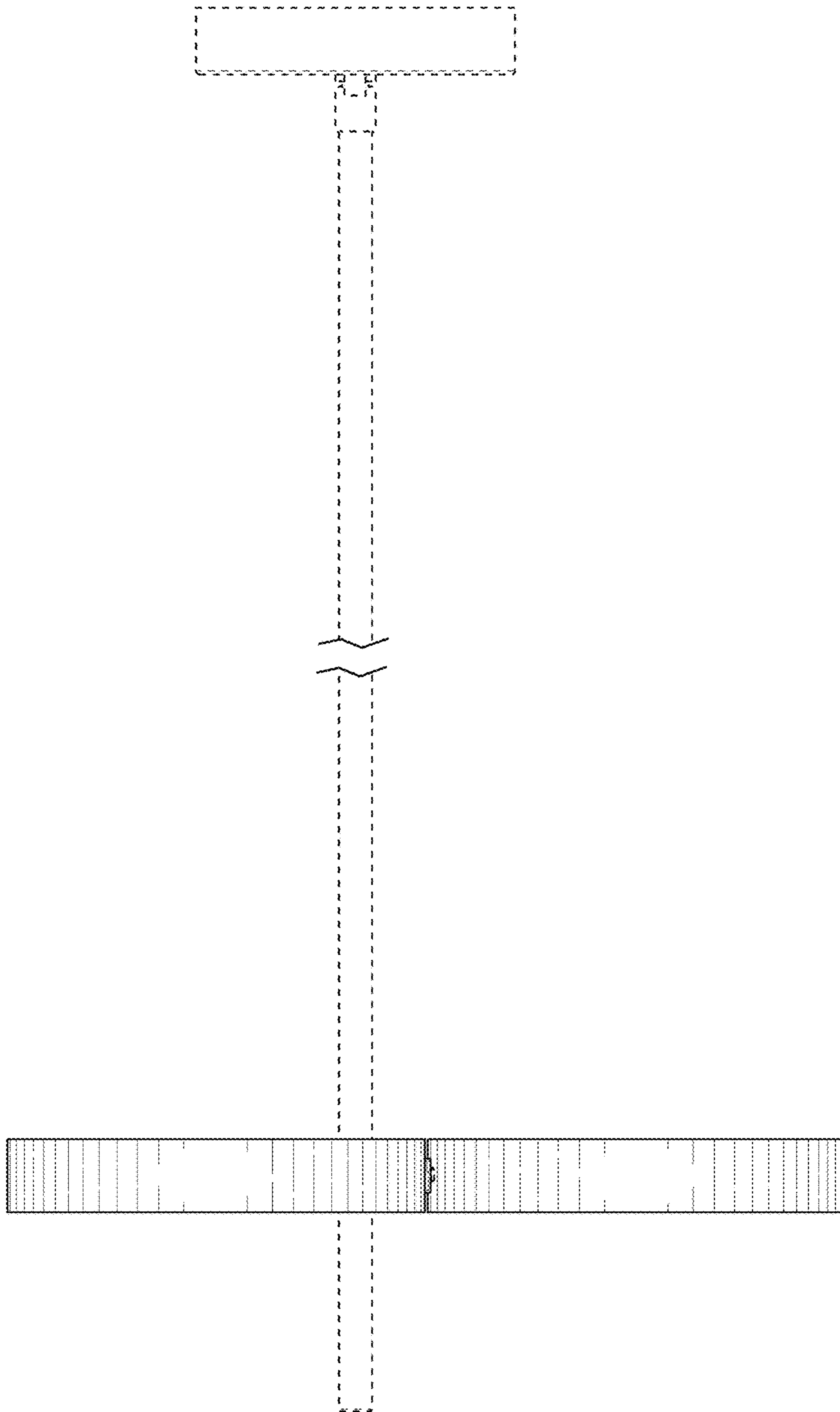


FIG. 3

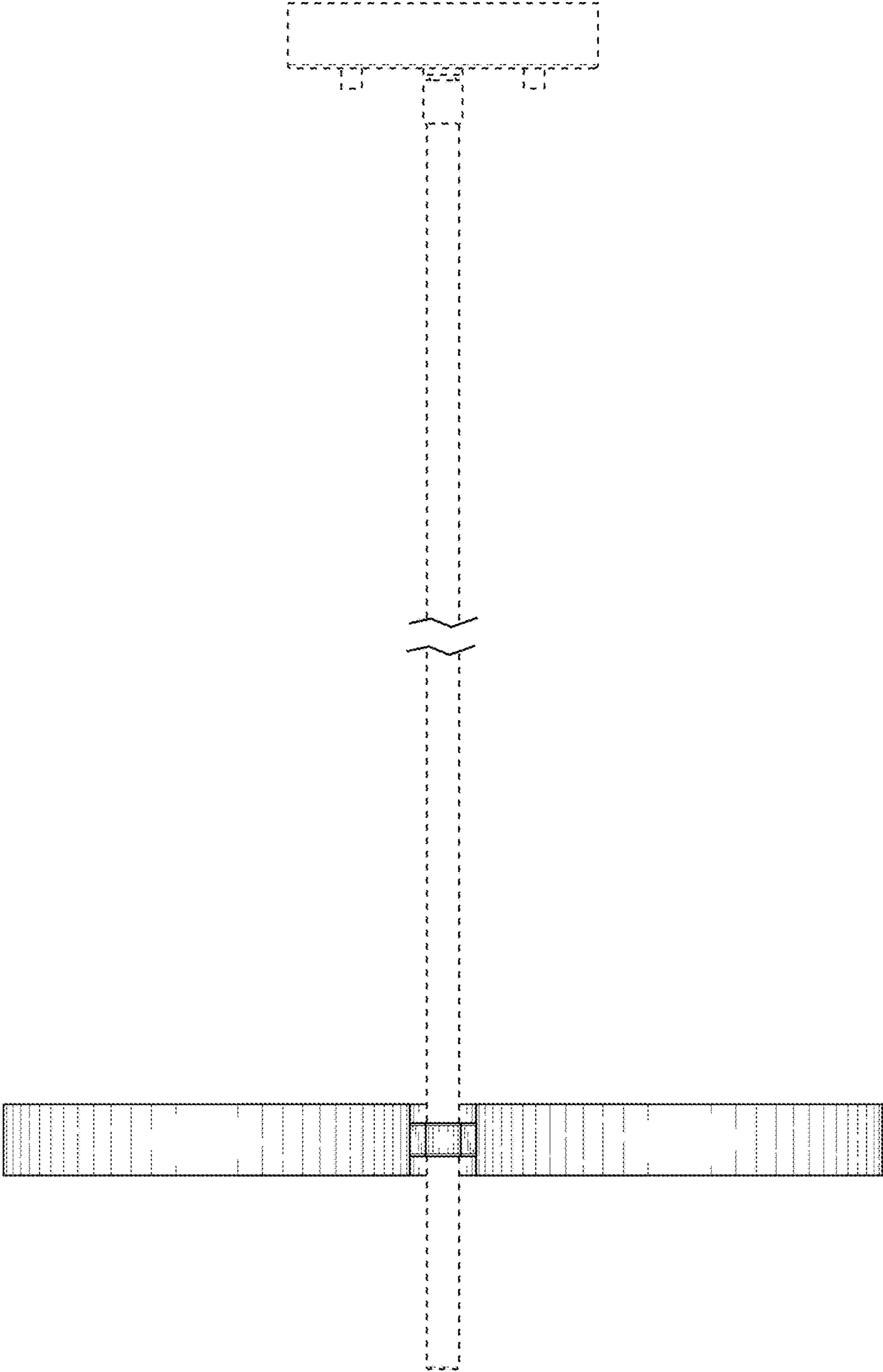


FIG. 4

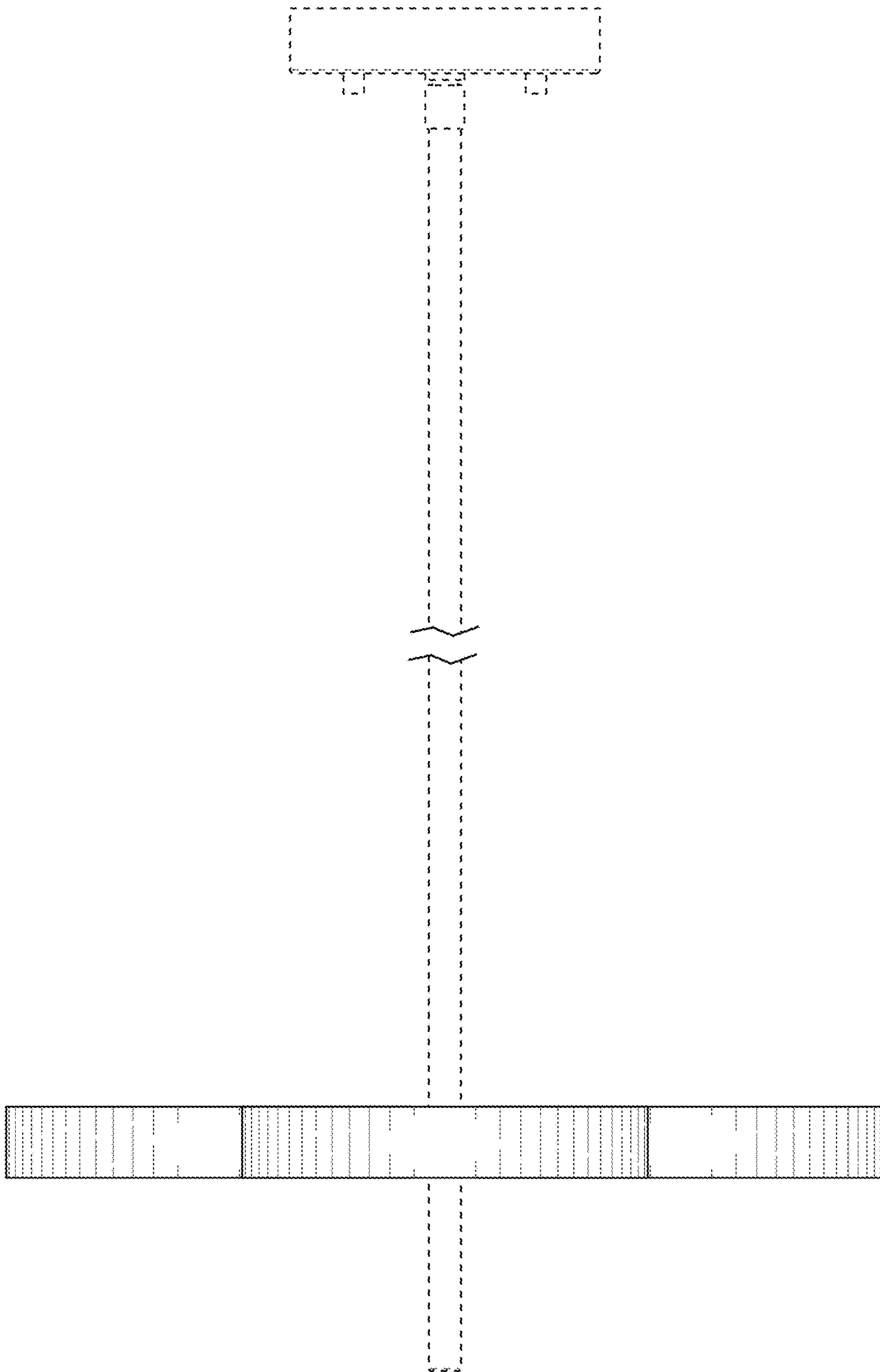


FIG. 5

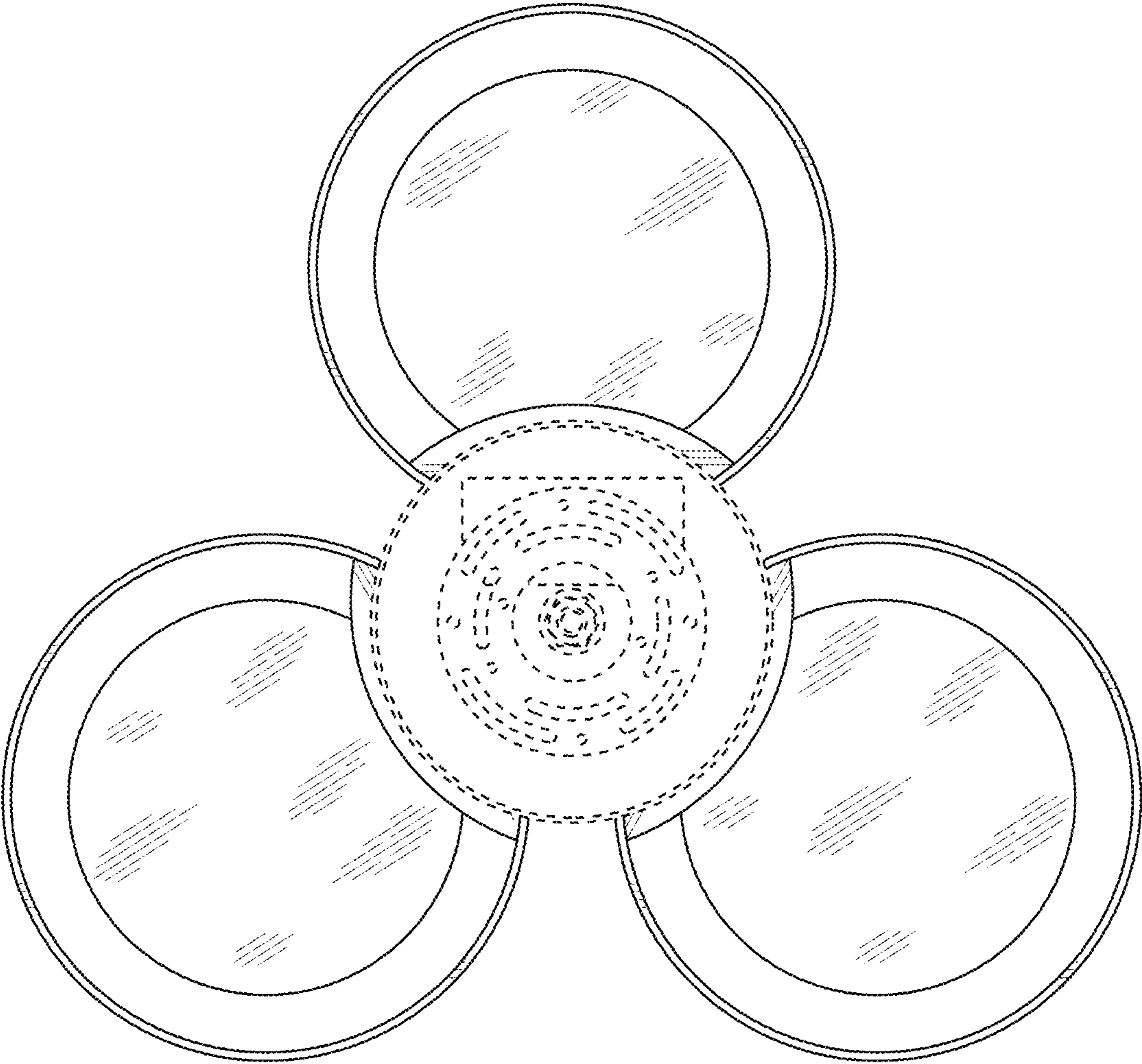


FIG. 6

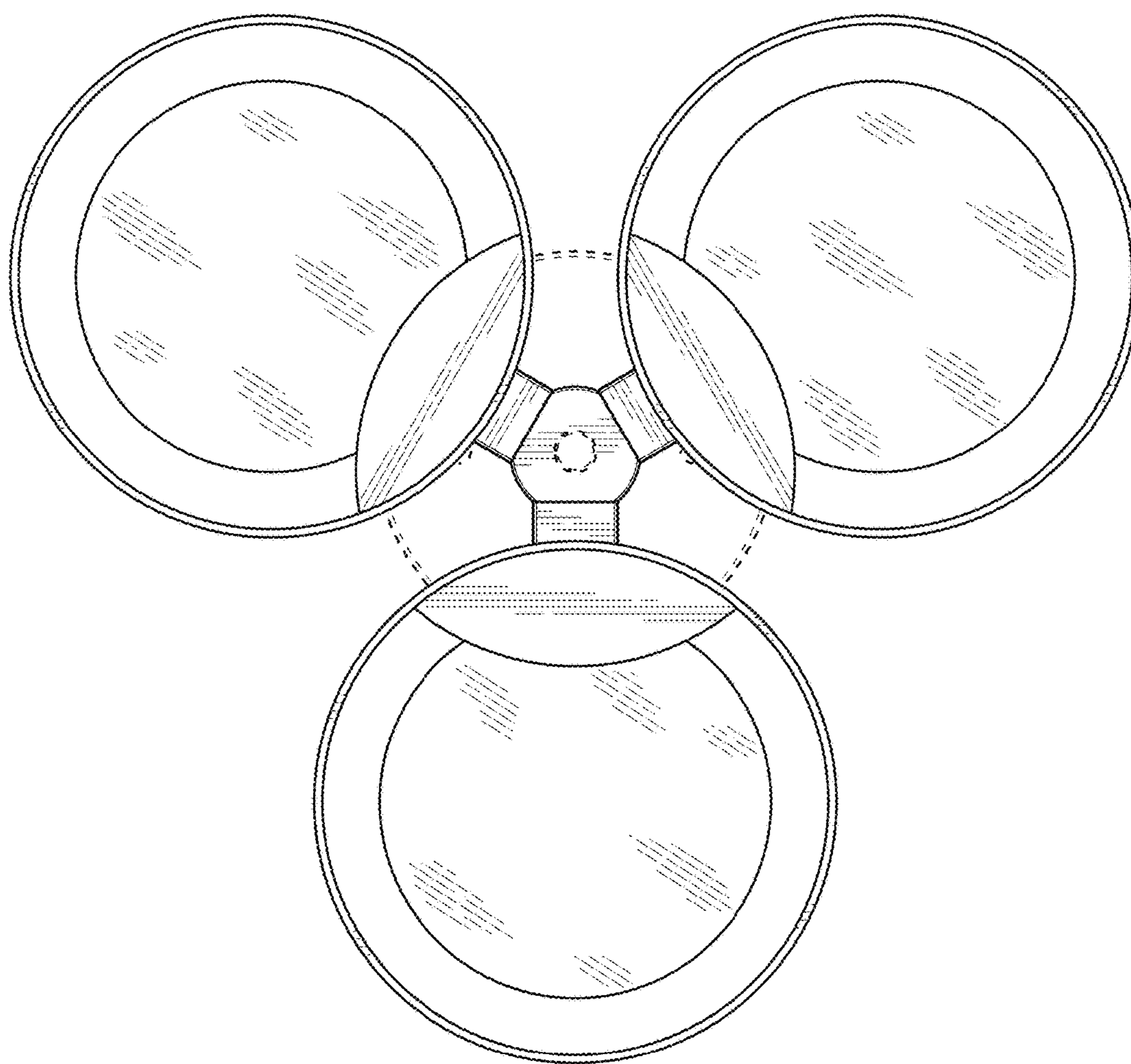


FIG. 7