



US00D791383S

(12) **United States Design Patent** (10) **Patent No.:** **US D791,383 S**
Yu (45) **Date of Patent:** **** Jul. 4, 2017**

(54) **LIGHTING ASSEMBLY**

(71) Applicant: **Li Yu**, Zhanjiang (CN)

(72) Inventor: **Li Yu**, Zhanjiang (CN)

(73) Assignee: **L'IMAGE HOME PRODUCTS INC.**,
Montreal (CA)

(**) Term: **14 Years**

(21) Appl. No.: **29/504,405**

(22) Filed: **Oct. 6, 2014**

(51) **LOC (10) Cl.** **26-03**

(52) **U.S. Cl.**
USPC **D26/76**

(58) **Field of Classification Search**
USPC D26/24, 39, 59, 67, 68, 69, 70, 71, 72,
D26/74, 76, 77, 80, 88, 89, 98, 138, 139,
D26/140, 141, 142, 151, 152
CPC F24S 4/001; F24S 4/005; F24S 8/00; F24S
8/04; F24S 8/043; F24S 8/046; F24S
8/06-8/065; F24S 13/02; F24S 13/04;
F24S 13/06

See application file for complete search history.

(56) **References Cited**

U.S. PATENT DOCUMENTS

D183,873 S * 11/1958 Bodian et al. D26/76
D195,012 S * 4/1963 Hoyle D23/388
D418,936 S * 1/2000 Dunning D26/76
D580,583 S * 11/2008 Pfund D26/76
D608,930 S * 1/2010 Castelli D26/76

D645,193 S * 9/2011 Chung D26/75
D662,643 S * 6/2012 Takahashi D26/76
D664,700 S * 7/2012 Ferguson D26/76

* cited by examiner

Primary Examiner — George D Kirschbaum

Assistant Examiner — Natasha Vujcic

(74) *Attorney, Agent, or Firm* — McDonnell Boehnen
Hulbert & Berghoff LLP

(57) **CLAIM**

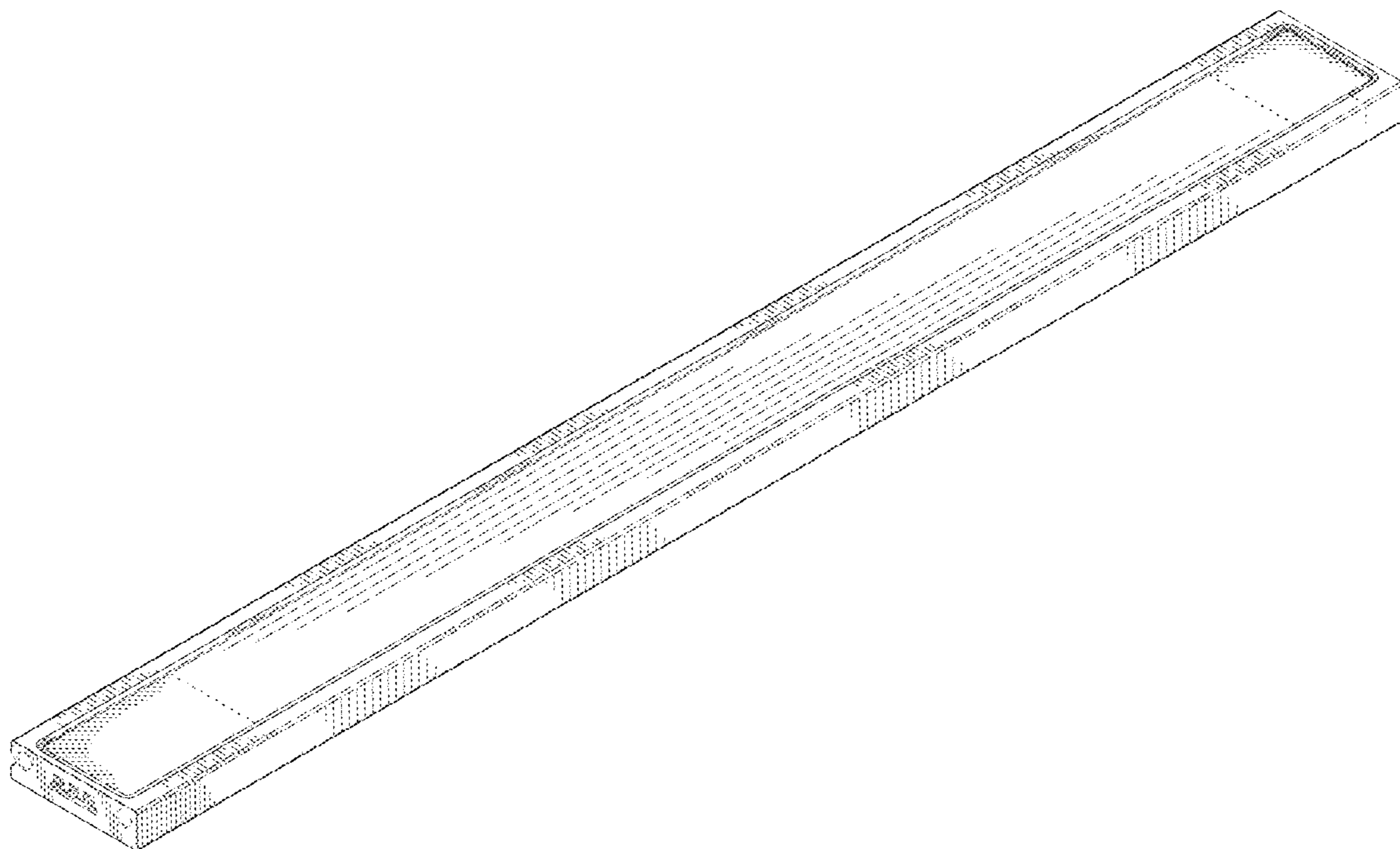
I claim the ornamental design for a lighting assembly, as shown and described.

DESCRIPTION

FIG. 1 is a top perspective view of a light fixture for a lighting assembly;
FIG. 2 is a bottom perspective view thereof;
FIG. 3 is a left side view thereof;
FIG. 4 is a right side view thereof;
FIG. 5 is a top view thereof;
FIG. 6 is a bottom view thereof;
FIG. 7 is a front view thereof; and,
FIG. 8 is a rear view thereof.

The design consists of the visual features of the portions of the lighting assembly shown in solid lines in the drawings, whether those features are features of one of shape, configuration, ornament or pattern or a combination of any of these features. The portions shown in stippled lines do not form part of the design.

1 Claim, 4 Drawing Sheets



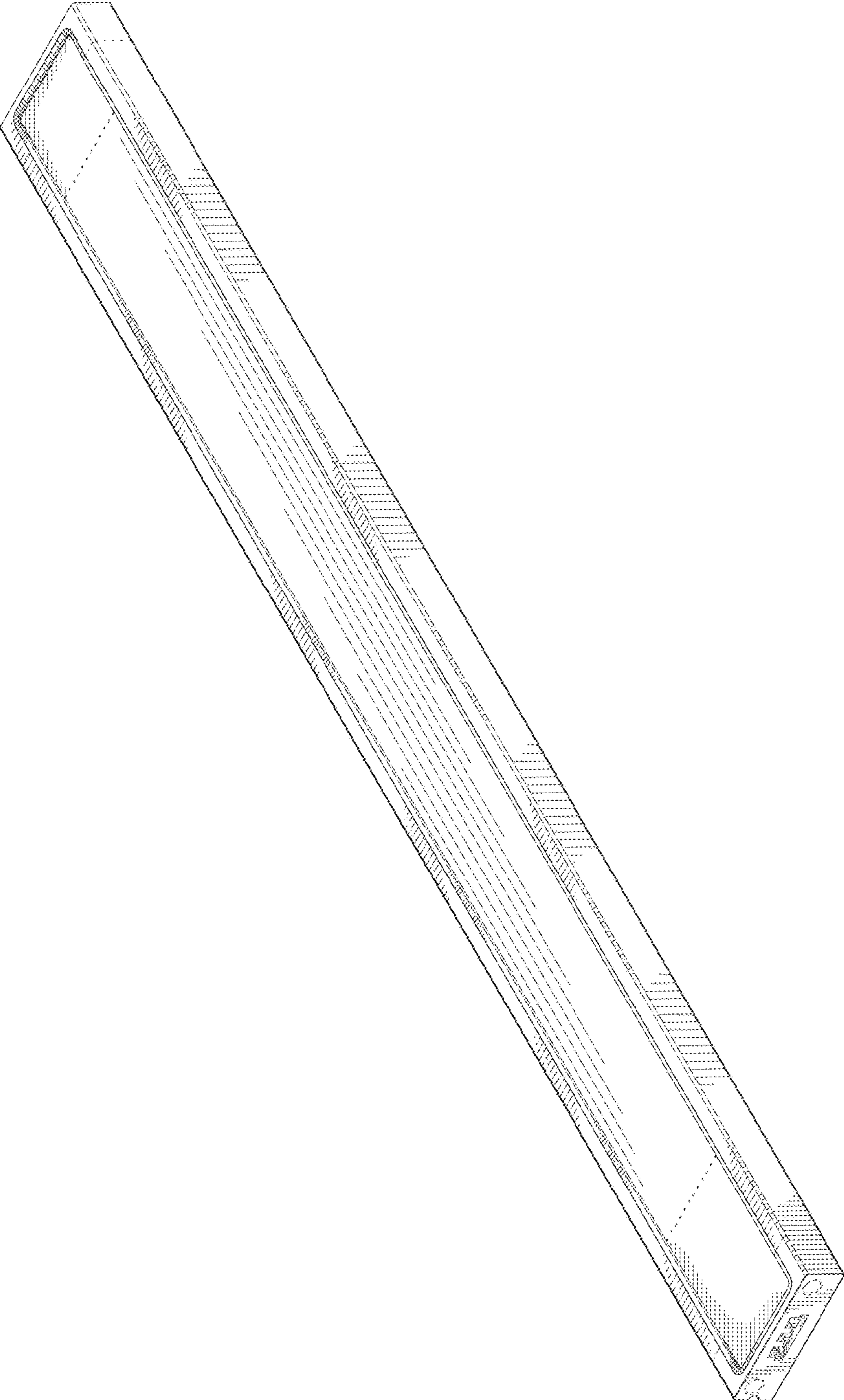


FIG.1

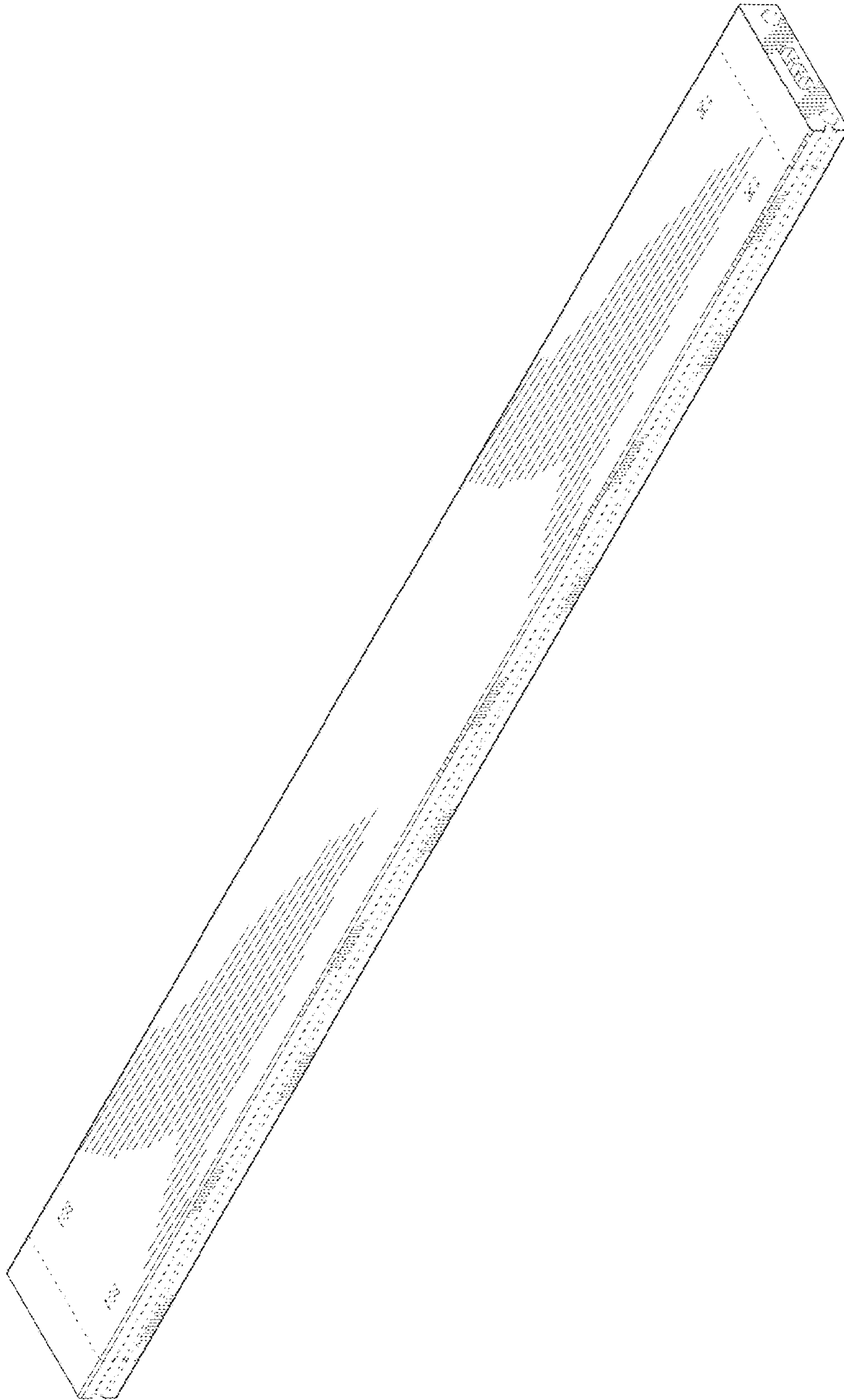


FIG.2



FIG. 3

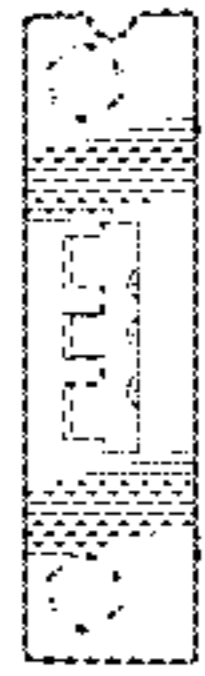


FIG. 4

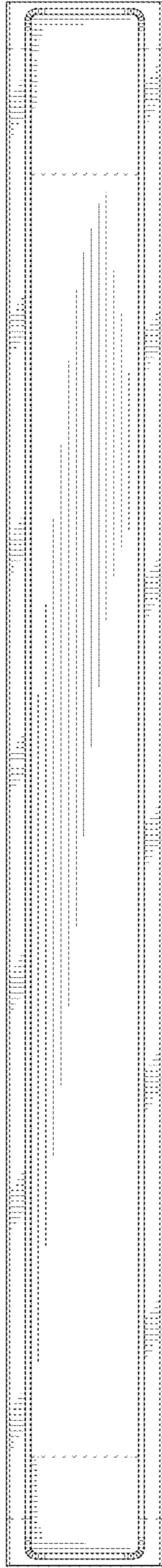


FIG. 5

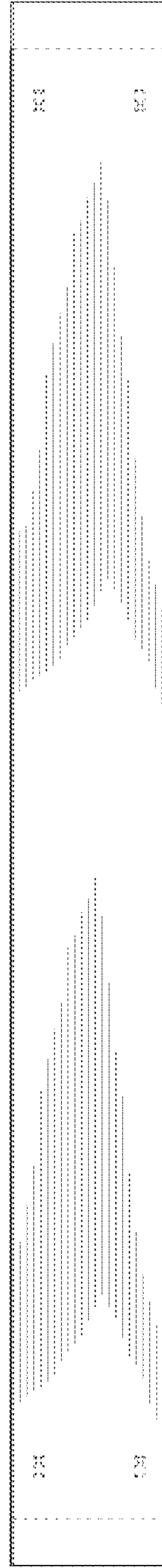


FIG. 6

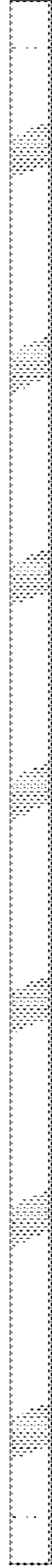


FIG. 7

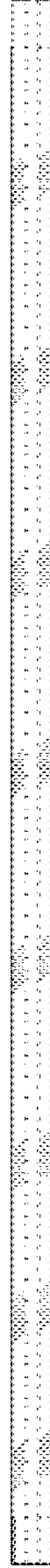


FIG. 8