

US00D791382S

(12) **United States Design Patent**  
**Holscher**

(10) **Patent No.:** **US D791,382 S**

(45) **Date of Patent:** **\*\* Jul. 4, 2017**

(54) **LIGHT FIXTURE**

(71) Applicant: **Hubbell Incorporated**, Shelton, CT  
(US)

(72) Inventor: **Steven Holscher**, Boiling Springs, SC  
(US)

(73) Assignee: **Hubbell Incorporated**, Shelton, CT  
(US)

(\*\*) Term: **15 Years**

(21) Appl. No.: **29/560,187**

(22) Filed: **Apr. 4, 2016**

(51) **LOC (10) Cl.** ..... **26-05**

(52) **U.S. Cl.**  
USPC ..... **D26/74**

(58) **Field of Classification Search**  
USPC ..... D26/74, 72, 75, 76, 77, 78, 85, 88, 89,  
D26/118, 138, 141; 362/364, 365, 373,  
362/145, 146, 147, 148, 150, 153, 153.1,  
362/294, 296.01, 296.07, 296.08  
CPC ..... F21V 29/2262; F21V 7/06; F21V 21/044;  
F21V 21/047; F21V 29/2212; F21V  
29/2225; F21V 29/2256; F21V 29/225;  
F21V 29/2268; F21Y 2111/002; F21S  
8/02; F21S 8/026

See application file for complete search history.

(56) **References Cited**

**U.S. PATENT DOCUMENTS**

D596,330 S \* 7/2009 Pickard ..... D26/74  
D617,934 S \* 6/2010 Rashidi ..... D26/74

D624,688 S \* 9/2010 Johnson ..... D26/74  
D632,821 S \* 2/2011 Culbert ..... D26/74  
D633,636 S \* 3/2011 Gielen ..... D26/74  
D641,909 S \* 7/2011 Johnson ..... D26/74  
D642,317 S \* 7/2011 Rashidi ..... D26/74  
D662,642 S \* 6/2012 Huang ..... D26/74  
D679,849 S \* 4/2013 Ham ..... D26/74  
D682,458 S \* 5/2013 Calvin ..... D26/74  
D692,606 S \* 10/2013 Schrimmer ..... D26/72  
D715,476 S \* 10/2014 Tien ..... D26/74  
2016/0327251 A1 \* 11/2016 Clark ..... F21V 19/02

\* cited by examiner

*Primary Examiner* — Angela J Lee

(74) *Attorney, Agent, or Firm* — Michael Best & Friedrich, LLP

(57) **CLAIM**

I claim the ornamental design for a light fixture, as shown and described.

**DESCRIPTION**

FIG. 1 is a top perspective view of a light fixture according to an embodiment of the application.

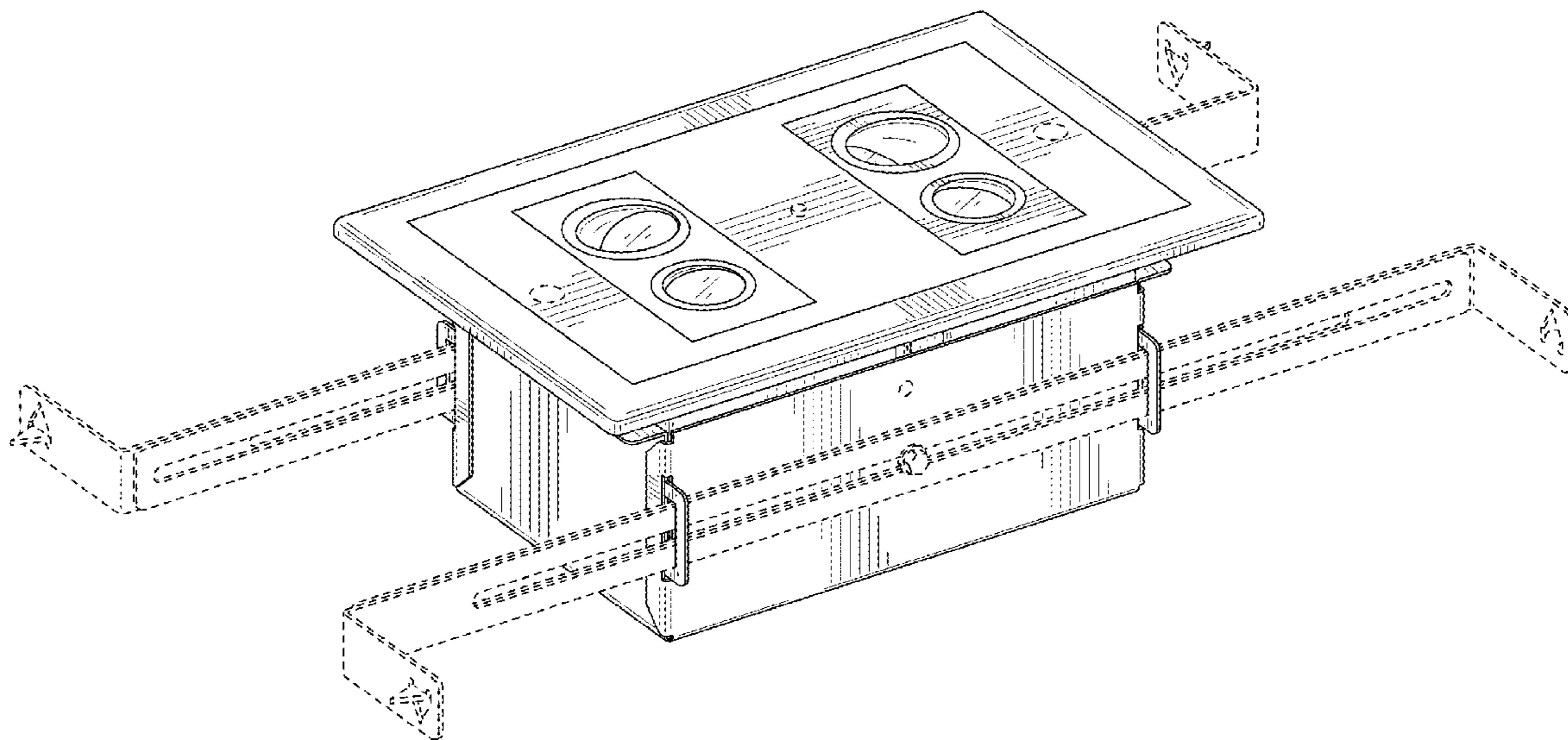
FIG. 2 is a bottom perspective view of the light fixture shown in FIG. 1.

FIG. 3 is a first side view of the light fixture shown in FIG. 1.

FIG. 4 is a second side view of the light fixture shown in FIG. 1.

FIG. 5 is a top view of the light fixture shown in FIG. 1; and, FIG. 6 is a bottom view of the light fixture shown in FIG. 1. The elements shown in broken lines are included for the purpose of illustrating environment and form no part of the claimed design.

**1 Claim, 6 Drawing Sheets**



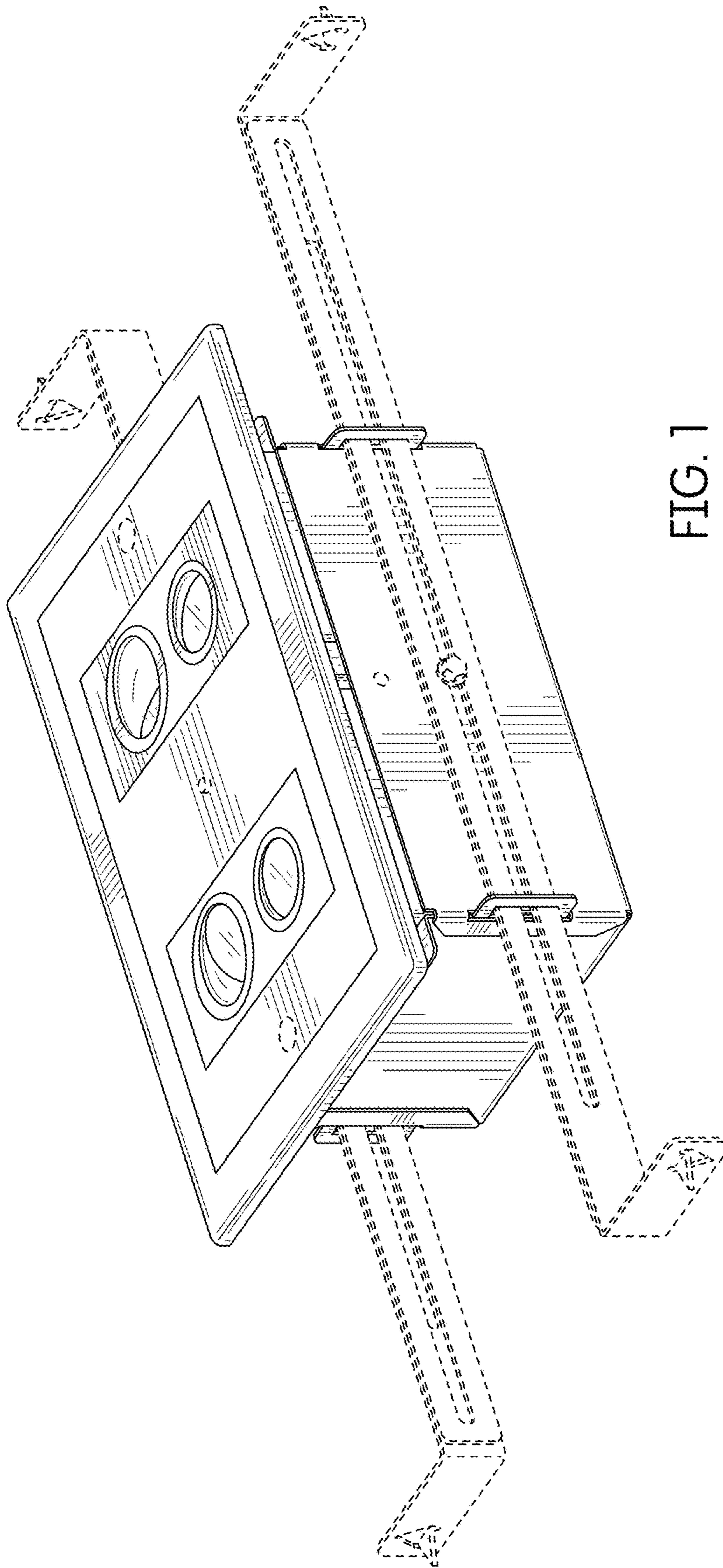


FIG. 1

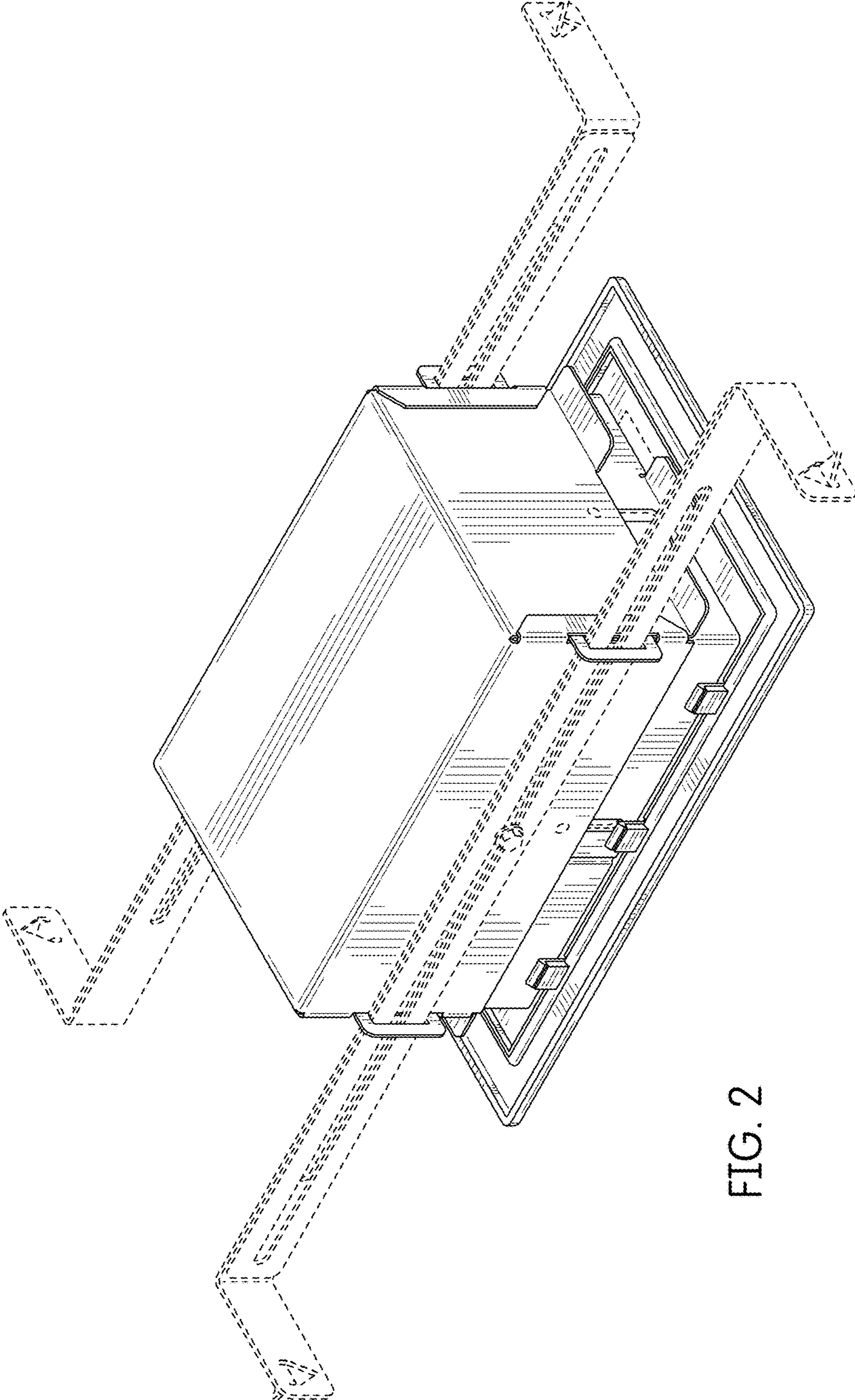


FIG. 2

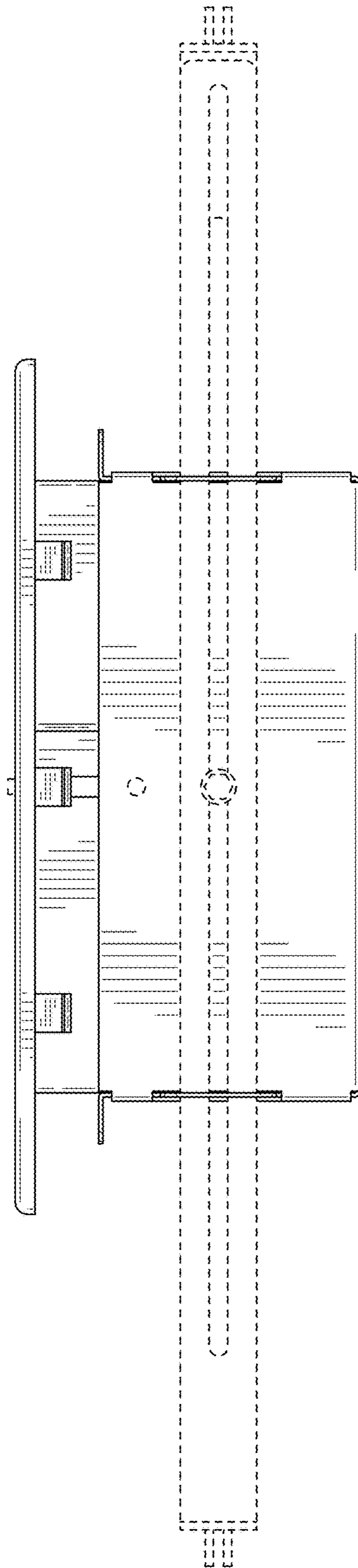


FIG. 3

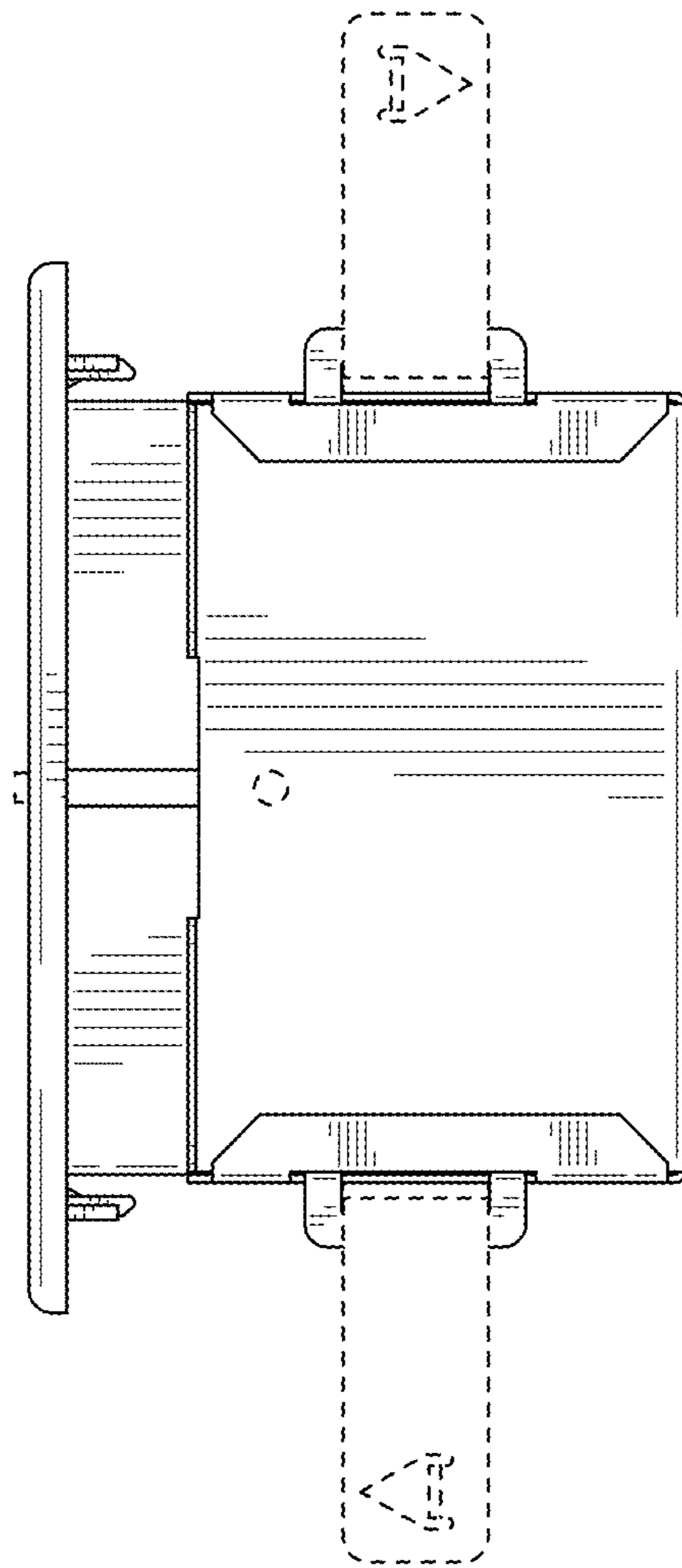


FIG. 4

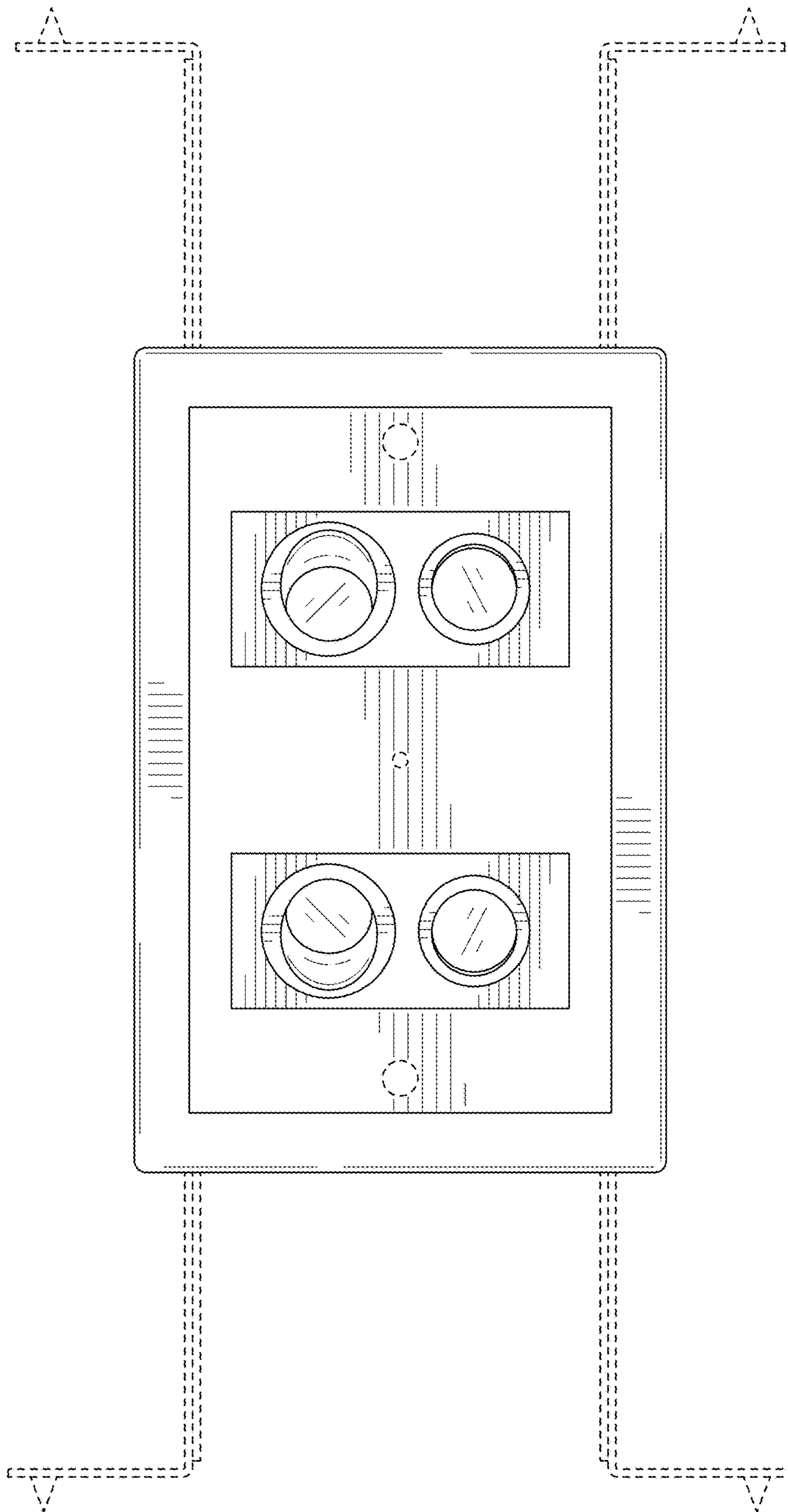


FIG. 5

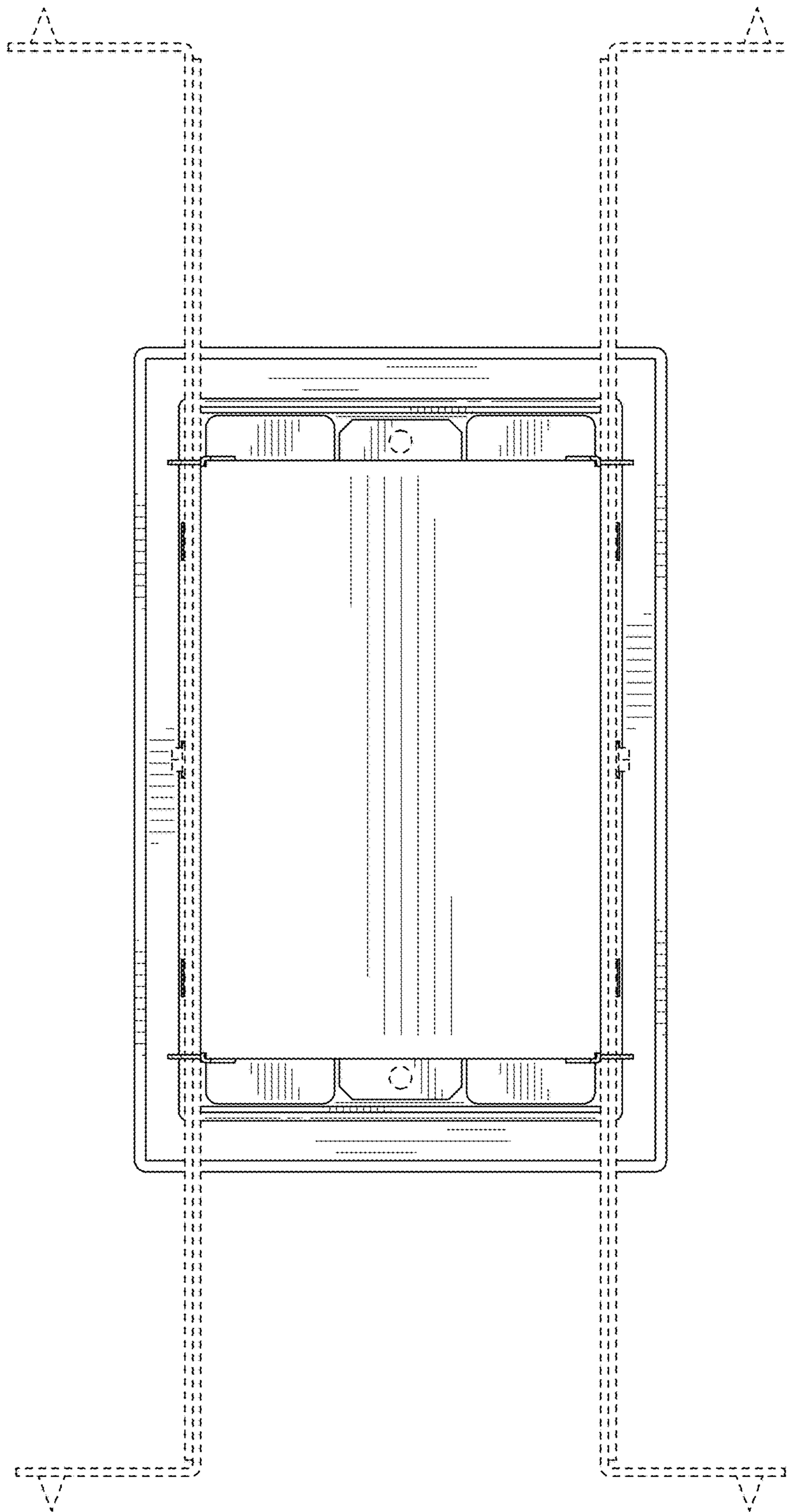


FIG. 6