



US00D791381S

(12) **United States Design Patent** (10) **Patent No.:** **US D791,381 S**  
**Chang et al.** (45) **Date of Patent:** **\*\* Jul. 4, 2017**

(54) **DECORATIVE LIGHT**

FOREIGN PATENT DOCUMENTS

(71) Applicant: **Gemmy Industries Corp.**, Coppell, TX (US)

DK PA 2013 00566 9/2014  
DK PA 2013 70677 9/2014  
DK PA 2013 70679 9/2014

(72) Inventors: **Lio Yenwei Chang**, Lewisville, TX (US); **Chih-Hao Shen**, Yunlin County (TW)

OTHER PUBLICATIONS

Notice of Allowance issued Feb. 27, 2015 in U.S. Appl. No. 14/079,628.

(73) Assignee: **Gemmy Industries Corp.**, Coppell, TX (US)

(Continued)

(\*\*) Term: **15 Years**

*Primary Examiner* — Brian N Vinson

(21) Appl. No.: **29/554,097**

(74) *Attorney, Agent, or Firm* — Venable LLP; Steven J. Schwarz

(22) Filed: **Feb. 8, 2016**

(57) **CLAIM**

(51) **LOC (10) Cl.** ..... **26-03**

The ornamental design for a decorative light, as shown and described.

(52) **U.S. Cl.**

USPC ..... **D26/63**

**DESCRIPTION**

(58) **Field of Classification Search**

USPC ..... D26/1, 24, 61, 63, 65, 85, 92  
CPC ..... F21V 21/14; F21V 15/01; F21V 14/02;  
F21V 21/30; F21V 21/00; F21V 14/00;  
F21S 8/00; F21S 8/003; F21S 8/043;  
F21Y 2105/001

See application file for complete search history.

FIG. 1 is a perspective view of a decorative light according to an embodiment of the claimed design, shown with a base in a collapsed position;

FIG. 2 is a front elevational view of the decorative light of FIG. 1;

FIG. 3 is a rear elevational view of the decorative light of FIG. 1;

FIG. 4 is a left side elevational view of the decorative light of FIG. 1;

FIG. 5 is a right side elevational view of the decorative light of FIG. 1;

FIG. 6 is a top elevational view of the decorative light of FIG. 1;

FIG. 7 is a bottom elevational view of the decorative light of FIG. 1; and,

FIG. 8 is perspective view of the decorative light of FIG. 1, shown with the base in an expanded position.

The broken line disclosure represents portions of the light which form no part of the claimed design.

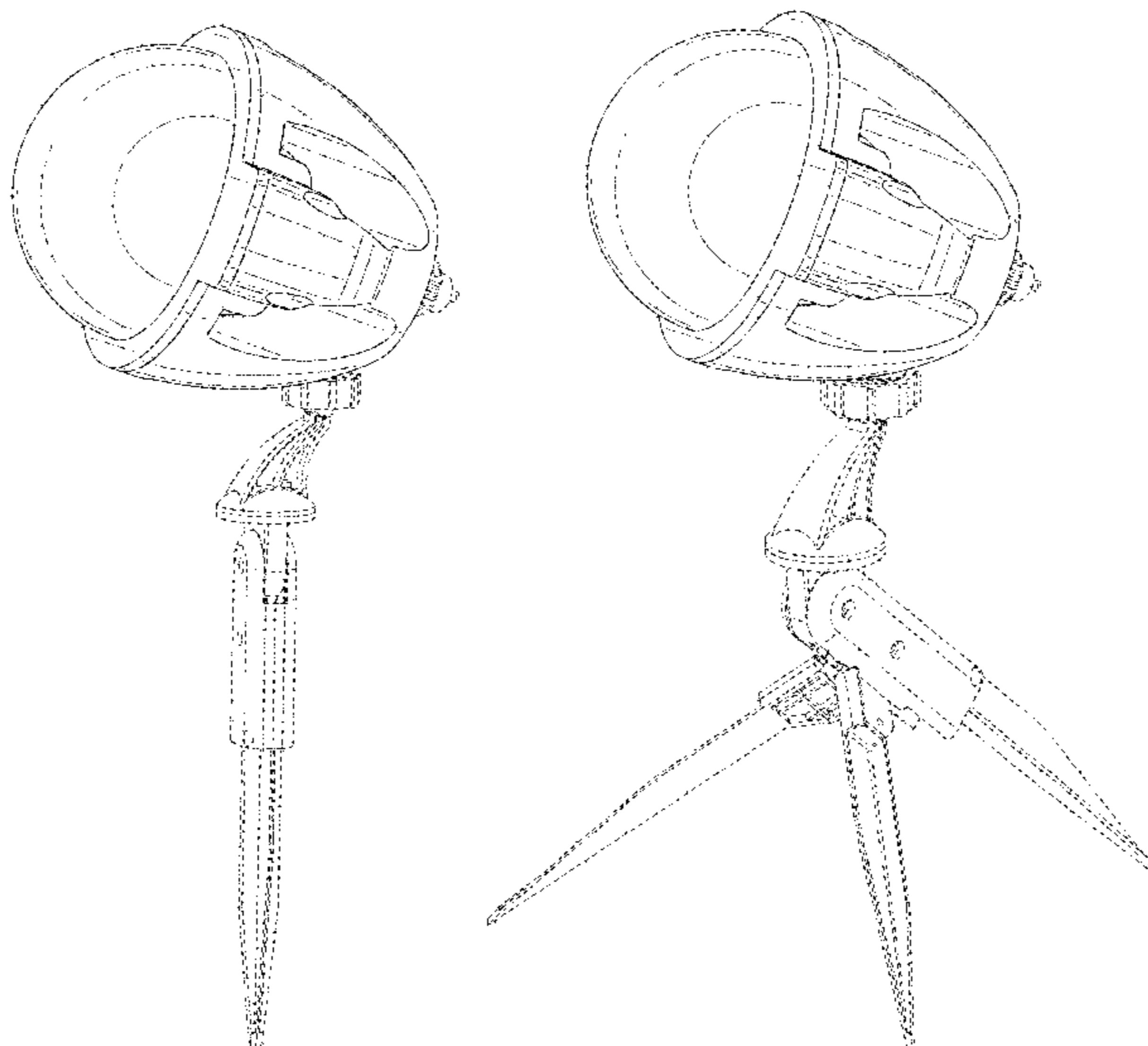
(56) **References Cited**

U.S. PATENT DOCUMENTS

3,263,069	A	7/1966	Krucki et al.	
3,949,350	A	4/1976	Smith	
4,249,331	A	2/1981	Vernon	
4,870,548	A	9/1989	Beachy et al.	
5,688,042	A	11/1997	Madadi et al.	
D414,579	S *	9/1999	Denison	D26/63
6,050,697	A	4/2000	Bennington	
6,474,837	B1	11/2002	Belliveau	
6,786,793	B1	9/2004	Wang	
7,033,037	B2	4/2006	Chen	
7,063,553	B1	6/2006	Mullen	

(Continued)

**1 Claim, 8 Drawing Sheets**



(56)

**References Cited**

U.S. PATENT DOCUMENTS

D542,959 S \* 5/2007 Yao ..... D26/63  
 D559,091 S \* 1/2008 Skorka ..... D8/367  
 7,320,533 B1 1/2008 Beadle  
 D574,532 S \* 8/2008 Lee ..... D26/63  
 D625,871 S \* 10/2010 Huang ..... D26/63  
 D659,871 S \* 5/2012 Lee ..... D26/63  
 8,262,252 B2 9/2012 Bergman et al.  
 D773,707 S \* 12/2016 Lentine ..... D26/63  
 2003/0231497 A1 12/2003 Sakata et al.  
 2005/0243560 A1 11/2005 Chen  
 2007/0097681 A1 5/2007 Chich et al.  
 2009/0027900 A1 1/2009 Janos et al.  
 2009/0122548 A1 5/2009 Dalsgaard  
 2009/0185377 A1 7/2009 Johnson  
 2009/0268466 A1 10/2009 Allegri  
 2010/0091491 A1 4/2010 Jiang et al.  
 2011/0116051 A1 5/2011 Young et al.  
 2011/0194292 A1 8/2011 Tsai  
 2011/0280015 A1 11/2011 Li et al.

2011/0286200 A1 11/2011 Iimura et al.  
 2012/0147608 A1 6/2012 Kawagoe et al.  
 2012/0147609 A1 6/2012 Black et al.  
 2012/0182743 A1 7/2012 Chou  
 2012/0300429 A1 11/2012 Jin  
 2013/0094193 A1 4/2013 Baxter et al.  
 2013/0135866 A1 5/2013 Souvay et al.  
 2014/0001507 A1 1/2014 Streppel et al.  
 2014/0056011 A1 2/2014 Clement et al.  
 2016/0215961 A1 7/2016 Kjeldsen et al.

OTHER PUBLICATIONS

Office Action issued Feb. 26, 2015 in U.S. Appl. No. 14/145,512.  
 Office Action issued Apr. 9, 2015 in U.S. Appl. No. 14/098,594.  
 Office Action issued Nov. 13, 2015 in U.S. Appl. No. 14/145,512.  
 Office Action issued Sep. 23, 2016 in related U.S. Appl. No. 15/200,291.  
 Office Action issued Mar. 9, 2017 in U.S. Appl. No. 15/341,730.

\* cited by examiner

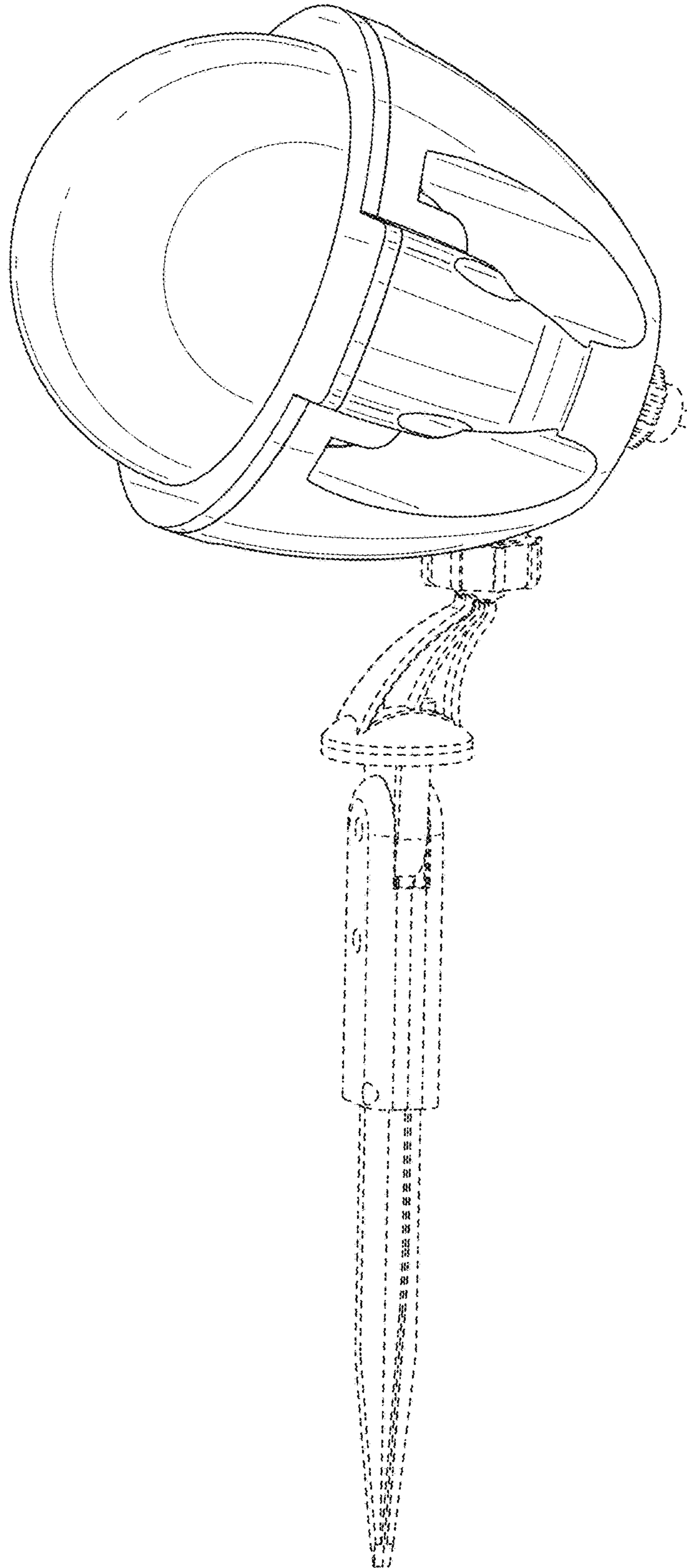


FIG. 1

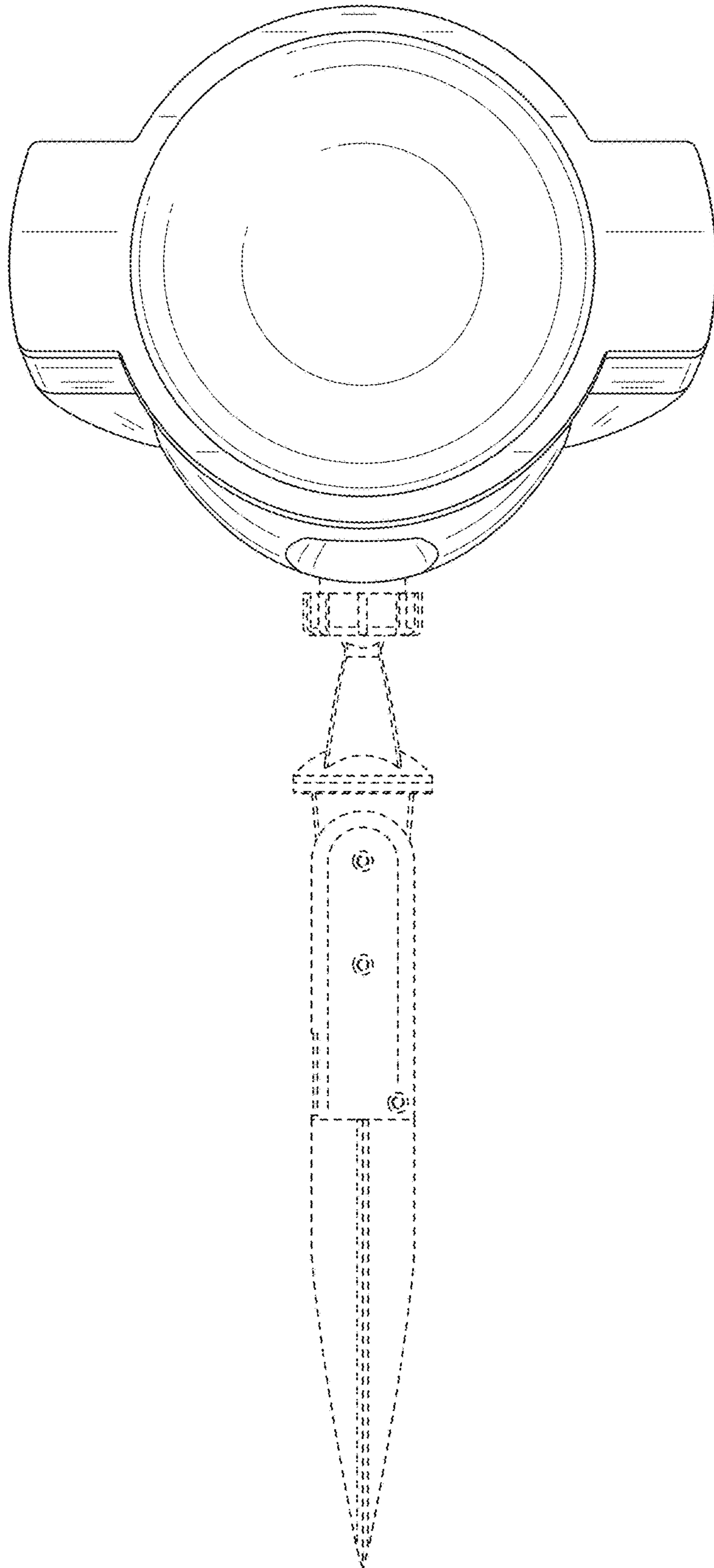


FIG. 2

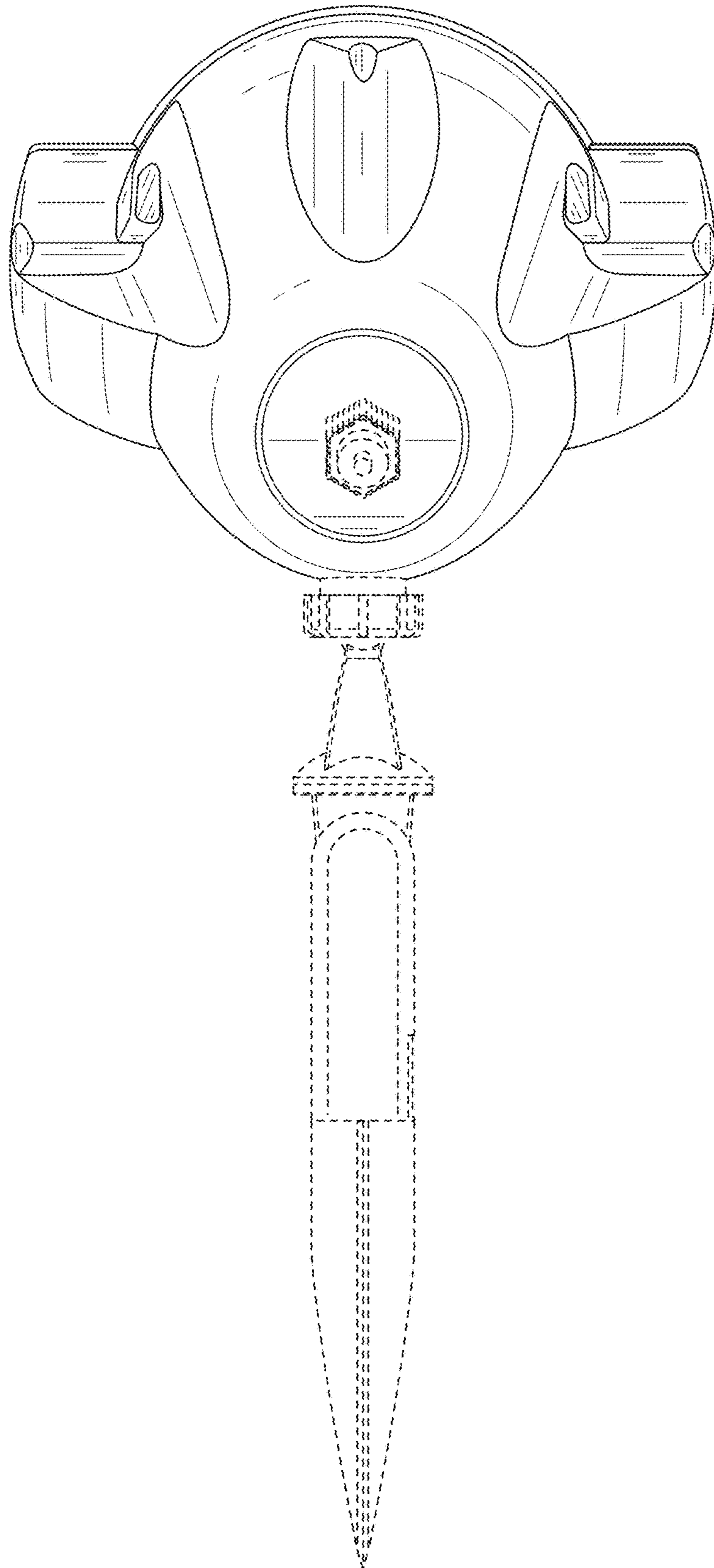


FIG. 3

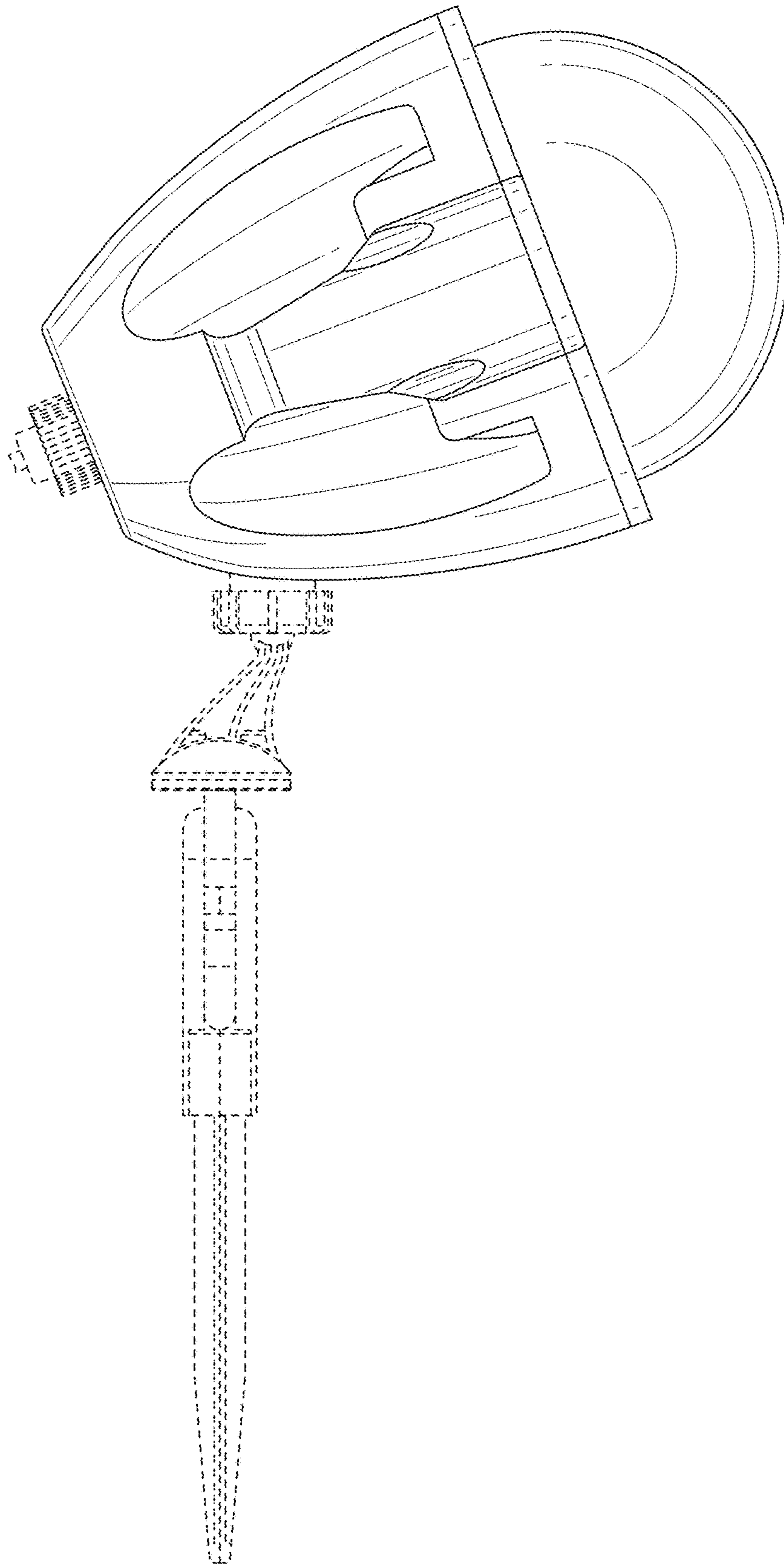


FIG. 4

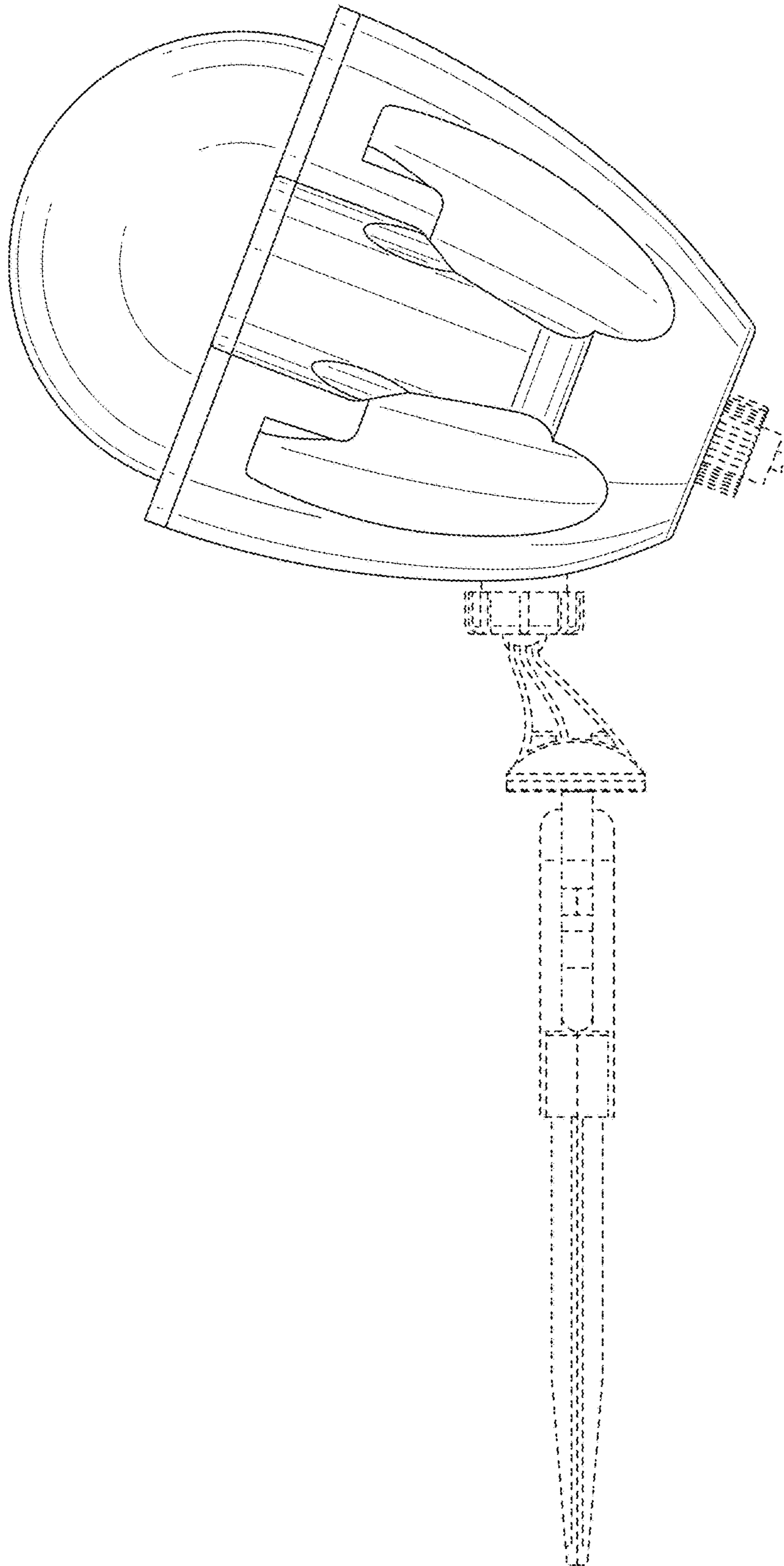


FIG. 5

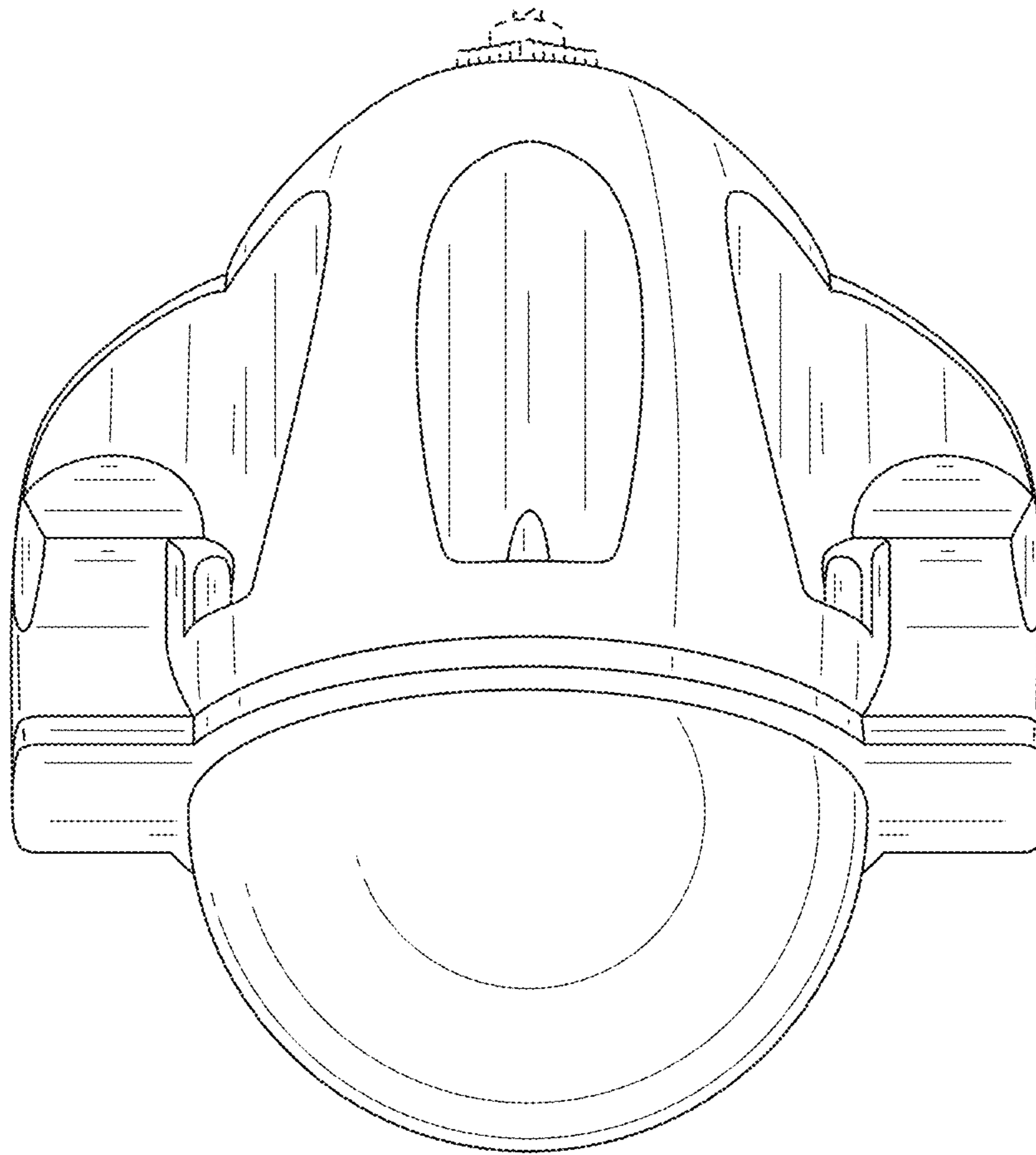


FIG. 6



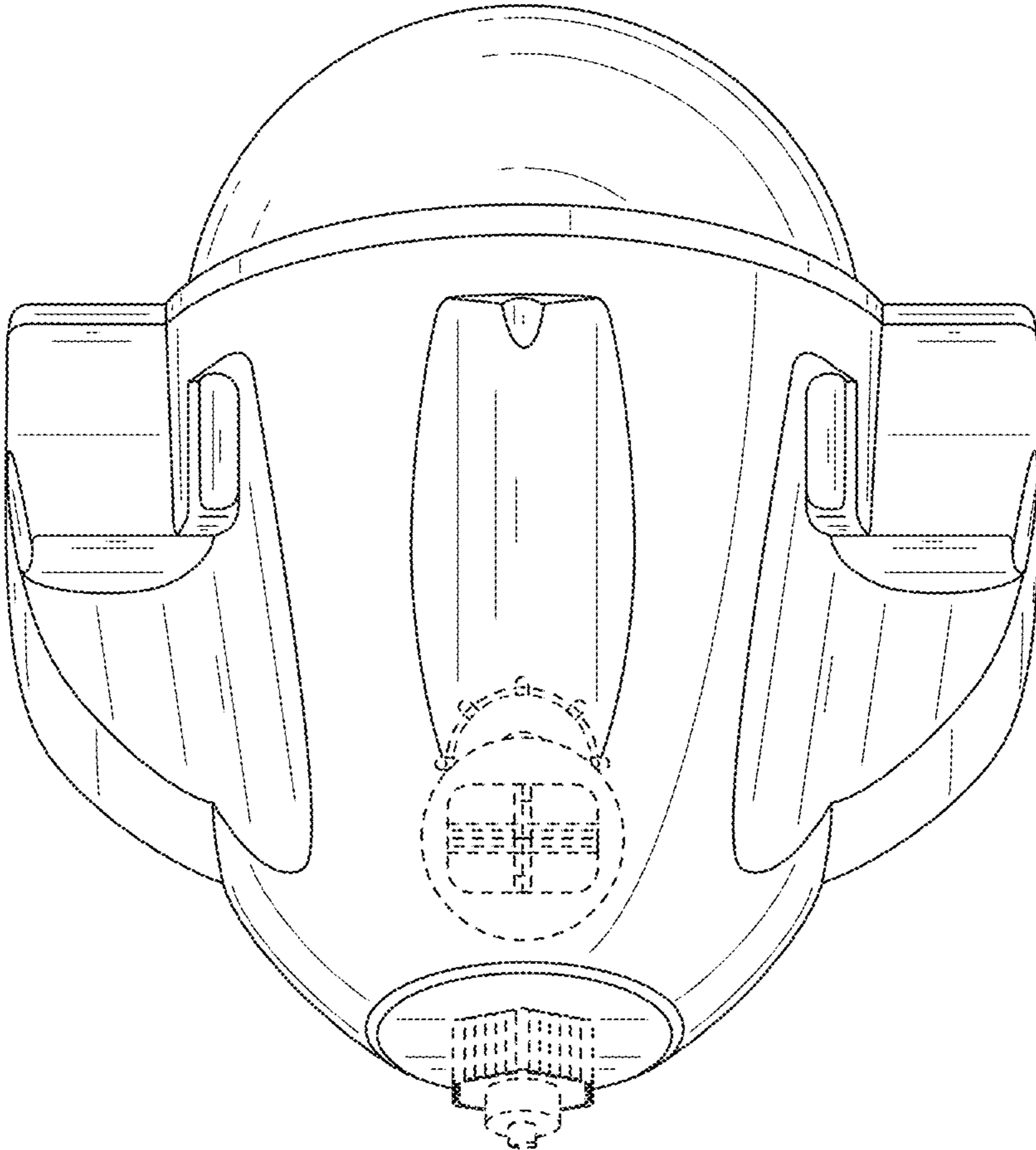


FIG. 7

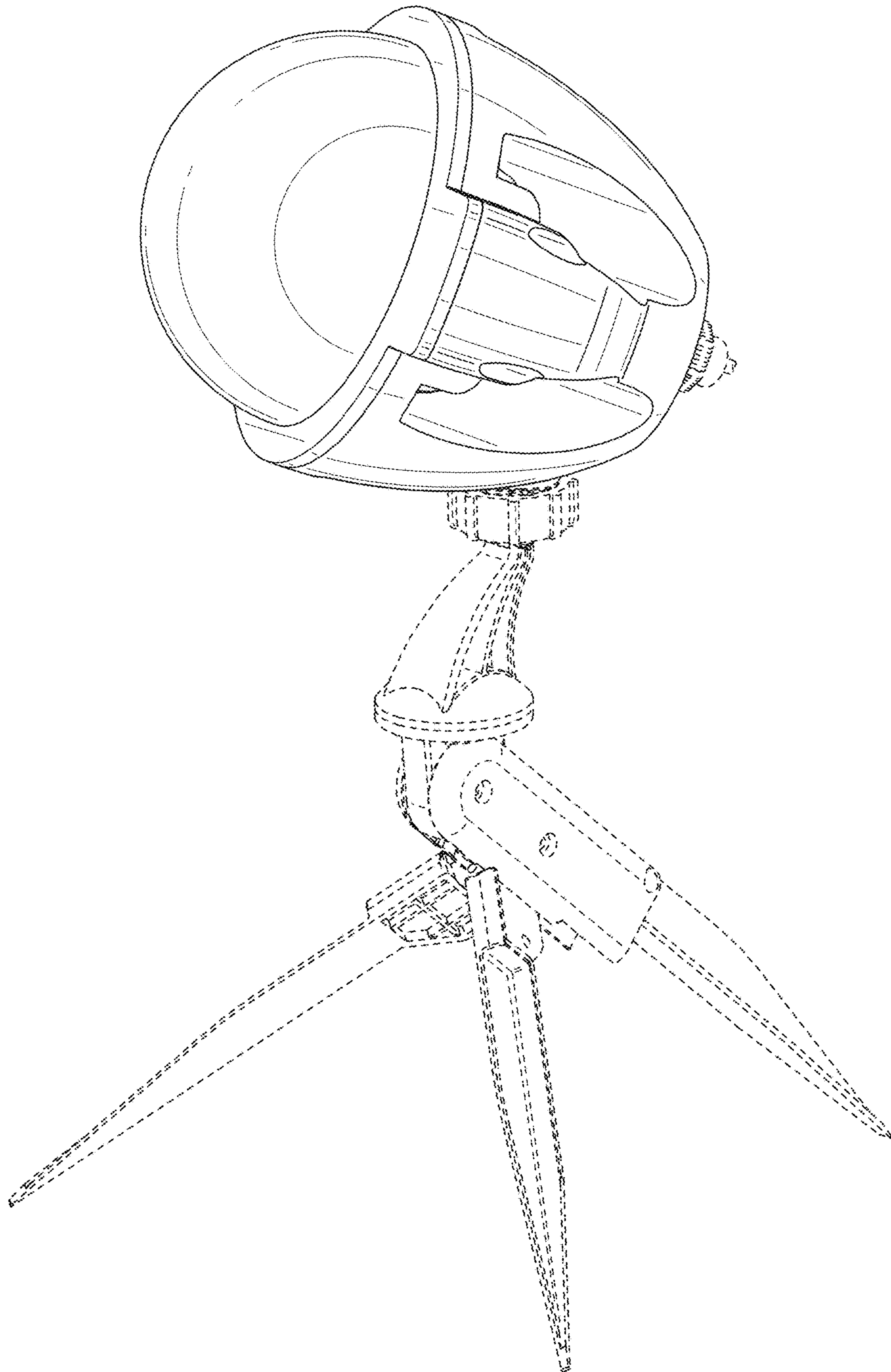


FIG. 8