



US00D791380S

(12) **United States Design Patent**  
**Dir**

(10) **Patent No.:** **US D791,380 S**  
(45) **Date of Patent:** **\*\* Jul. 4, 2017**

(54) **MOUNTING BRACKET FOR  
MAGNETICALLY ATTRACTED LIGHTING  
DEVICE**

(71) Applicant: **Archangel Device LLC**, Milwaukee,  
WI (US)

(72) Inventor: **Ronald R. Dir**, Sturtevant, WI (US)

(73) Assignee: **ARCHANGEL DEVICE LLC**,  
Milwaukee, WI (US)

(\*\*) Term: **14 Years**

(21) Appl. No.: **29/510,025**

(22) Filed: **Nov. 24, 2014**

4,788,631 A *	11/1988	Fuller	.....	F21V 9/083	362/103
4,837,559 A	6/1989	Green, Sr.			
4,999,753 A	3/1991	MacKenzie			
D340,777 S	10/1993	Choi et al.			
5,434,759 A	7/1995	Endo et al.			
5,627,513 A	5/1997	Weed et al.			
5,652,570 A	7/1997	Lepkofker			
5,806,965 A	9/1998	Deese			
5,905,441 A	5/1999	Klee et al.			
5,963,126 A	10/1999	Karlin et al.			
6,137,396 A	10/2000	Puppo			
6,213,619 B1 *	4/2001	Yu	.....	A45F 5/02	116/DIG. 44
D445,930 S *	7/2001	Se Kit	.....	D26/39	
6,461,015 B1	10/2002	Welch			
6,486,797 B1	11/2002	Laidman			
D486,932 S	2/2004	Dario et al.			
D489,470 S *	5/2004	Yuen	.....	D26/39	

(Continued)

**Related U.S. Application Data**

(63) Continuation-in-part of application No. 29/492,937,  
filed on Jun. 4, 2014, now Pat. No. Des. 765,897.

(51) **LOC (10) Cl.** ..... **26-02**

(52) **U.S. Cl.**  
USPC ..... **D26/39**

(58) **Field of Classification Search**  
USPC ..... D26/37, 38, 39, 46, 51; 362/103-108,  
362/157, 158, 184, 186, 194-196,  
362/200-208, 253  
CPC ..... F21V 33/00; F21V 14/025; F21V 21/406;  
F21Y 2101/02; F21L 17/00; F21L 13/08;  
F21L 2001/00; F21L 14/02  
See application file for complete search history.

(56) **References Cited**

**U.S. PATENT DOCUMENTS**

4,047,165 A	9/1977	Andreasson et al.
4,319,309 A	3/1982	Benoit
4,328,533 A	5/1982	Paredes

*Primary Examiner* — Ian Simmons

*Assistant Examiner* — Carissa C Fitts

(74) *Attorney, Agent, or Firm* — Husch Blackwell LLP

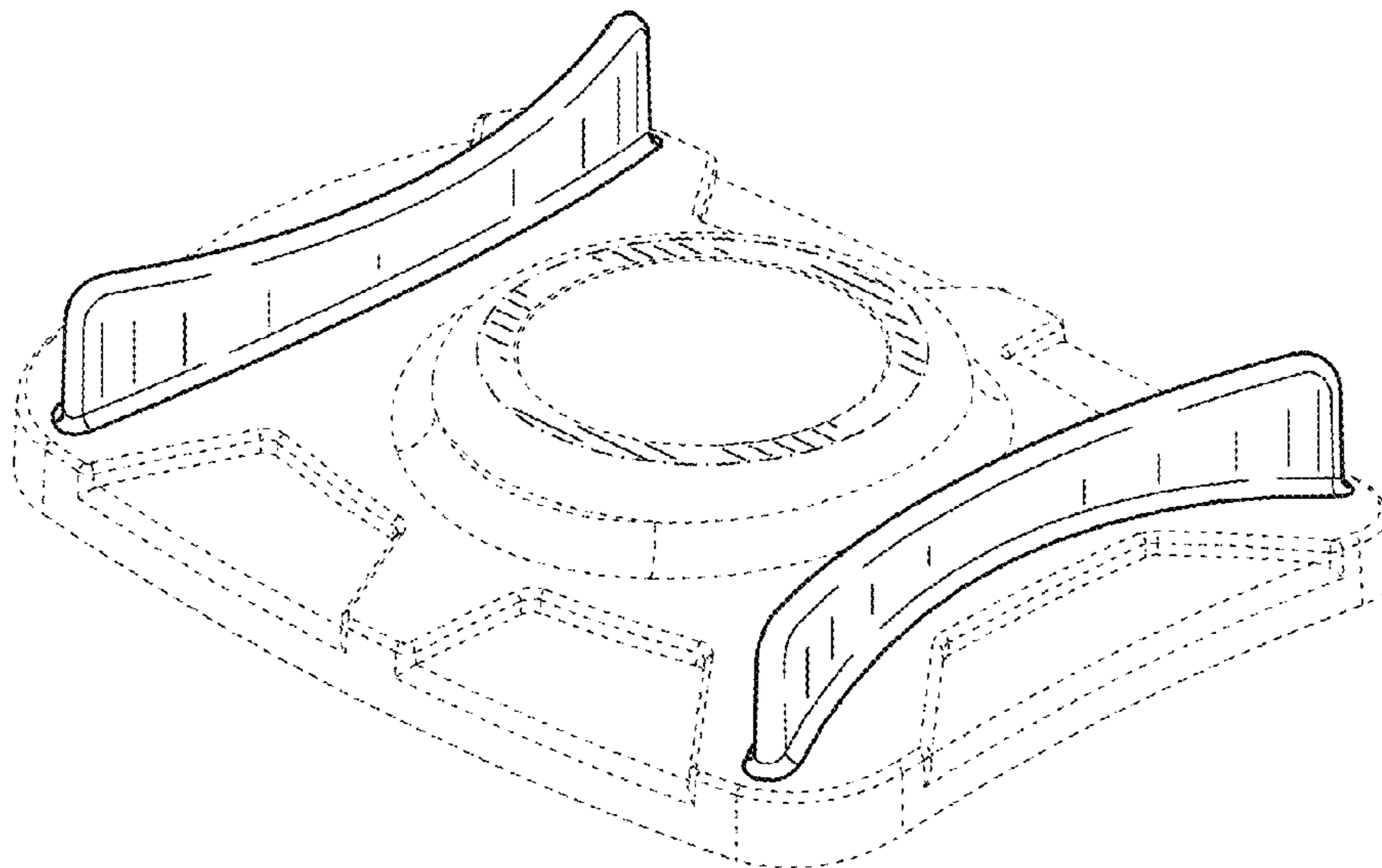
(57) **CLAIM**

The ornamental design for a mounting bracket for magnetically attracted lighting device, as shown and described.

**DESCRIPTION**

FIG. 1 is a front perspective view of a mounting bracket for magnetically attracted lighting device in accordance with an embodiment of the present invention.  
FIG. 2 is a top view thereof;  
FIG. 3 is a front view thereof;  
FIG. 4 is a side view thereof; and,  
FIG. 5 is a bottom view thereof.  
The dot-dash broken lines immediately adjacent the shaded areas represent the bounds of the claimed design while all other broken lines are directed to unclaimed portions of the article. The broken lines form no part of the claimed design.

**1 Claim, 3 Drawing Sheets**



(56)

**References Cited**

U.S. PATENT DOCUMENTS

D511,984	S	11/2005	Kumagai	
D520,395	S	5/2006	Lazalier	
D578,691	S	* 10/2008	Lau .....	D26/39
D605,320	S	* 12/2009	Moudry .....	D26/39
D637,330	S	* 5/2011	Lee .....	D26/39
D642,310	S	* 7/2011	Idelson .....	D26/39
D690,855	S	* 10/2013	Araujo .....	D26/39
2003/0132852	A1	7/2003	Povey et al.	
2007/0113845	A1	5/2007	O'Brien et al.	
2007/0176784	A1	8/2007	Fautin et al.	
2007/0194048	A1	8/2007	Teig	
2007/0200716	A1	8/2007	Haase et al.	
2008/0088477	A1	4/2008	Martin et al.	
2008/0130272	A1	6/2008	Waters	
2008/0247161	A1	10/2008	Hulsey et al.	
2008/0259601	A1	10/2008	Frank et al.	
2008/0319282	A1	12/2008	Tran	

\* cited by examiner

Fig. 1

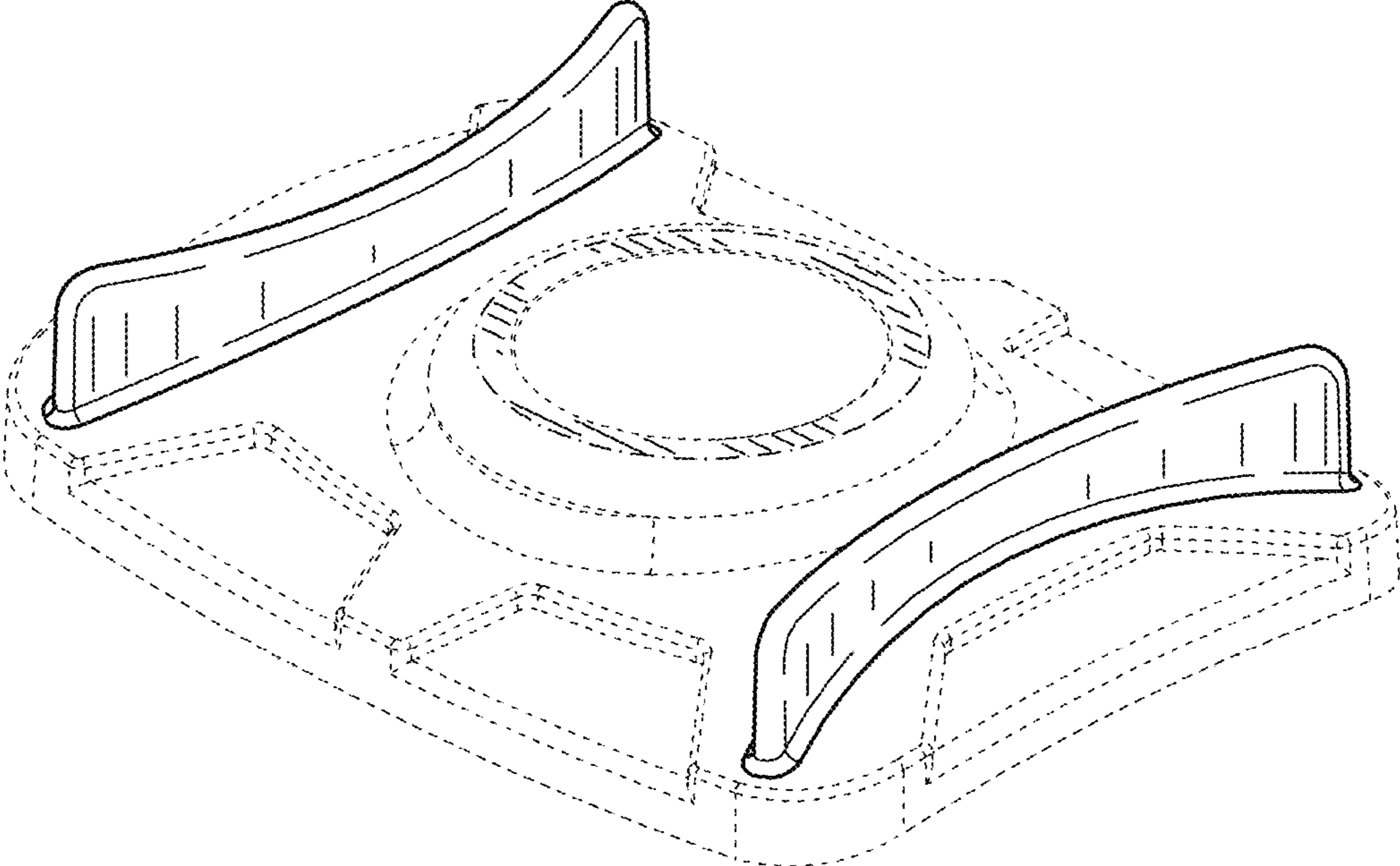


Fig. 2

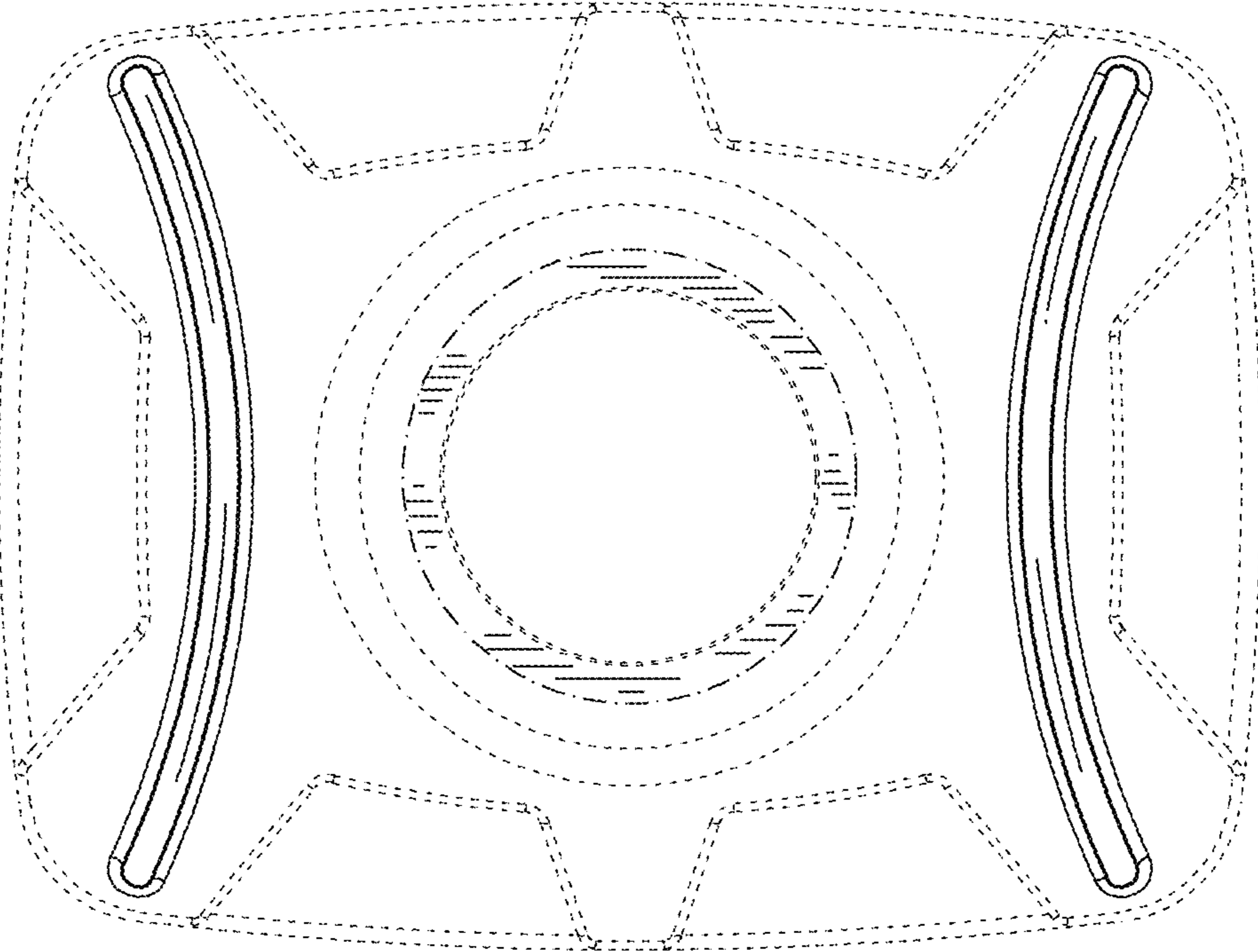


Fig. 3

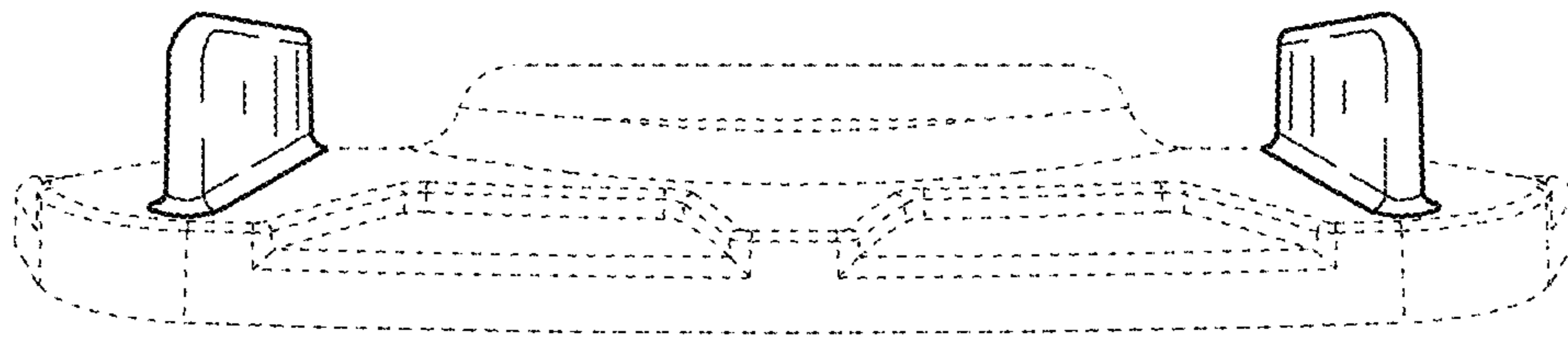
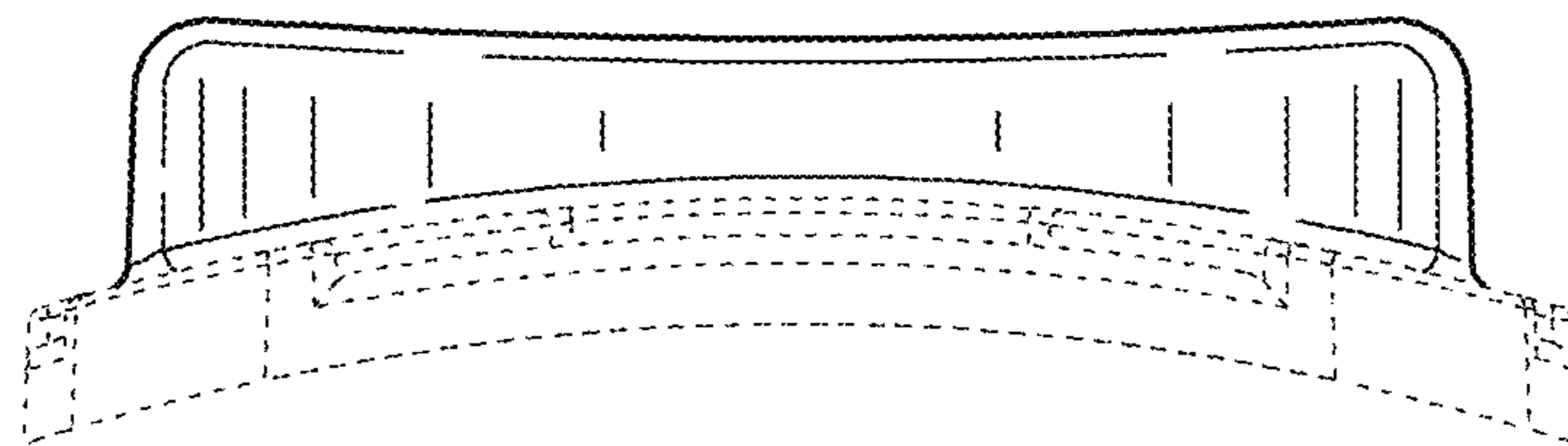


Fig. 4



**Fig. 5**

