



US00D791377S

(12) **United States Design Patent** (10) **Patent No.:** **US D791,377 S**
Bilodeau et al. (45) **Date of Patent:** **** Jul. 4, 2017**

(54) **VEHICLE TAILLIGHT**
(71) Applicant: **Tesla Motors, Inc.**, Palo Alto, CA (US)
(72) Inventors: **Julien Bilodeau**, Culver City, CA (US);
Franz Von Holzhausen, Malibu, CA (US); **Bernard Lee**, Aliso Viejo, CA (US); **David T Imai**, Los Angeles, CA (US)
(73) Assignee: **TESLA, INC.**, Palo Alto, CA (US)
(**) Term: **15 Years**

(21) Appl. No.: **29/559,688**
(22) Filed: **Mar. 30, 2016**
(51) **LOC (10) Cl.** **26-06**
(52) **U.S. Cl.**
USPC **D26/28**
(58) **Field of Classification Search**
USPC D26/28-36; 362/80-83, 267-269,
362/459-468, 475-478, 485-487
CPC F21S 48/00; F21S 48/10; F21S 48/115;
F21S 48/1233; F21S 48/1266; F21S
48/2268; F21V 21/04
See application file for complete search history.

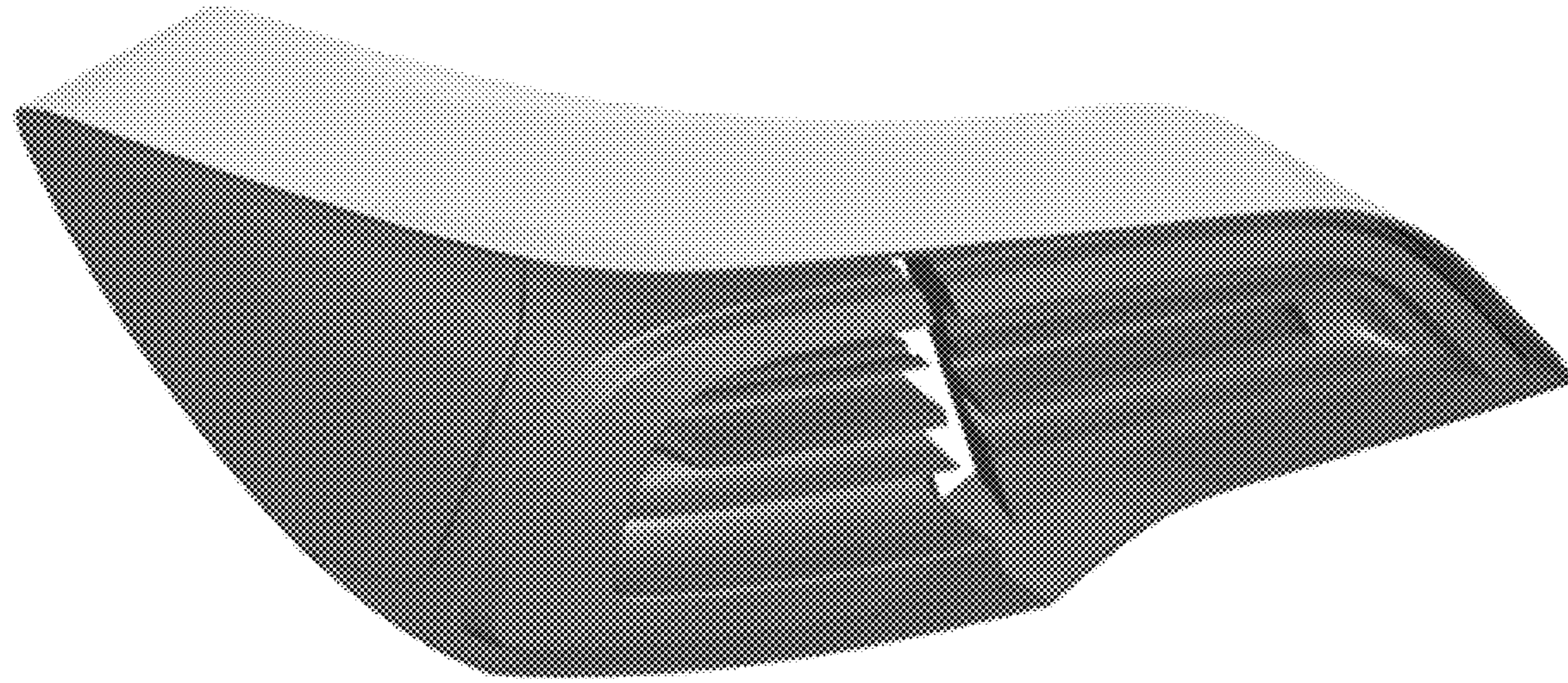
(56) **References Cited**
U.S. PATENT DOCUMENTS
D553,268 S * 10/2007 Pfeiffer D26/28
D565,211 S * 3/2008 Haller D26/28
D570,015 S * 5/2008 Hsu D26/28

D602,616 S * 10/2009 Okamura D26/28
D605,793 S * 12/2009 Weil D26/28
D620,157 S * 7/2010 Frenzel D26/28
* cited by examiner
Primary Examiner — Marcus Jackson
(74) *Attorney, Agent, or Firm* — Garlick & Markison;
Bruce E. Garlick

(57) **CLAIM**
The ornamental design for a vehicle taillight, as shown and described.

DESCRIPTION
FIG. 1 shows a front view of a vehicle taillight.
FIG. 2 is a perspective view thereof.
FIG. 3 is another perspective view thereof; and,
FIG. 4 is a top view thereof.
The ornamental design is shown in the areas shaded in a dark color. Areas shaded in a light color (i.e., the inward housing of the vehicle taillight) are for illustrative purposes only and form no part of the claimed design.

1 Claim, 4 Drawing Sheets



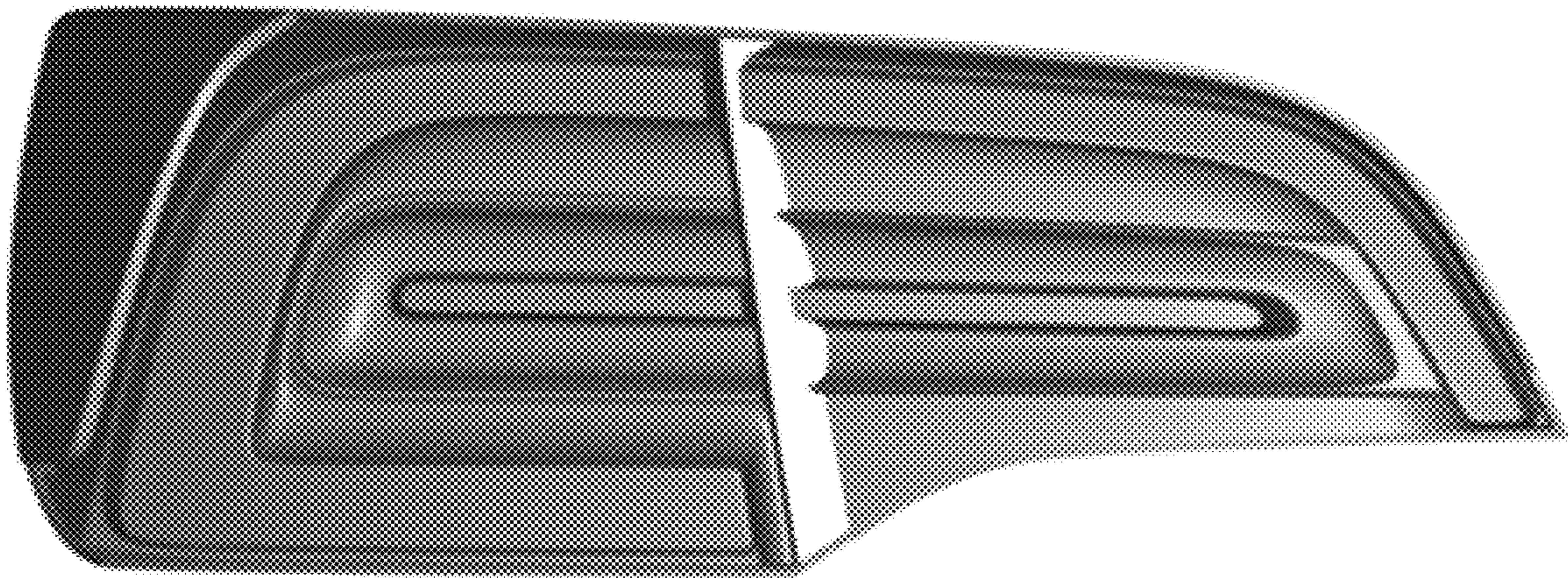


FIG. 1

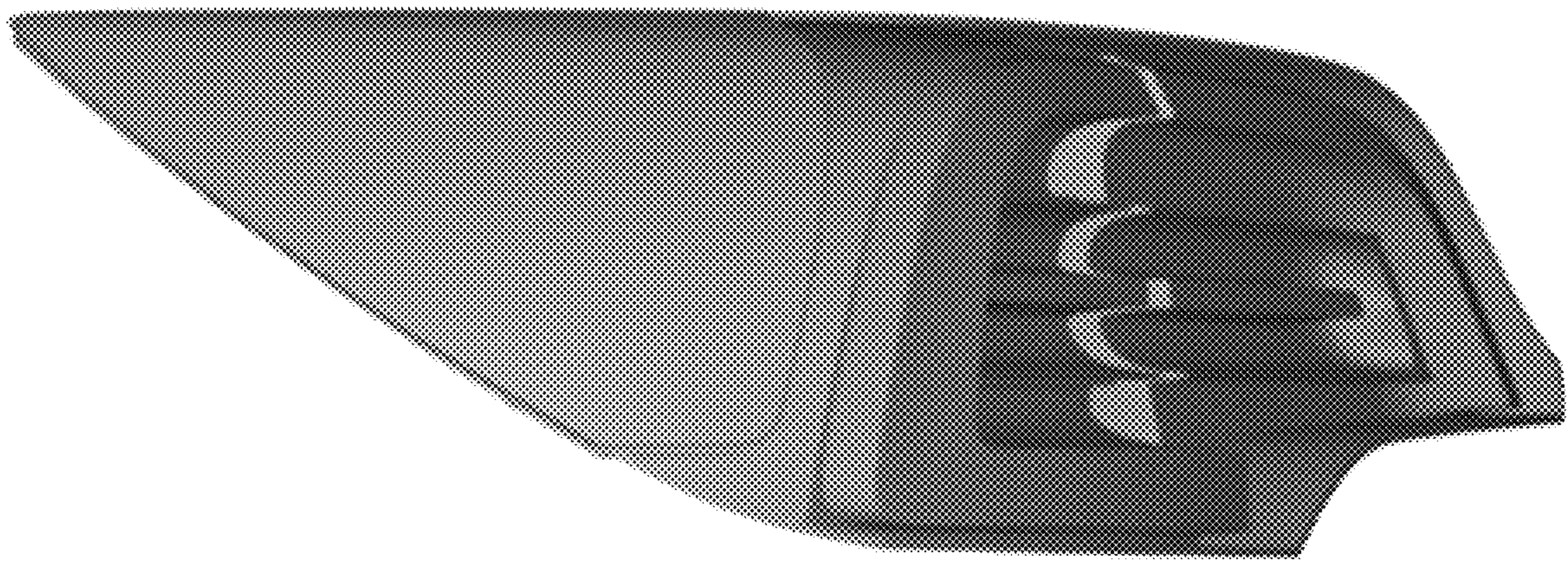


FIG. 2

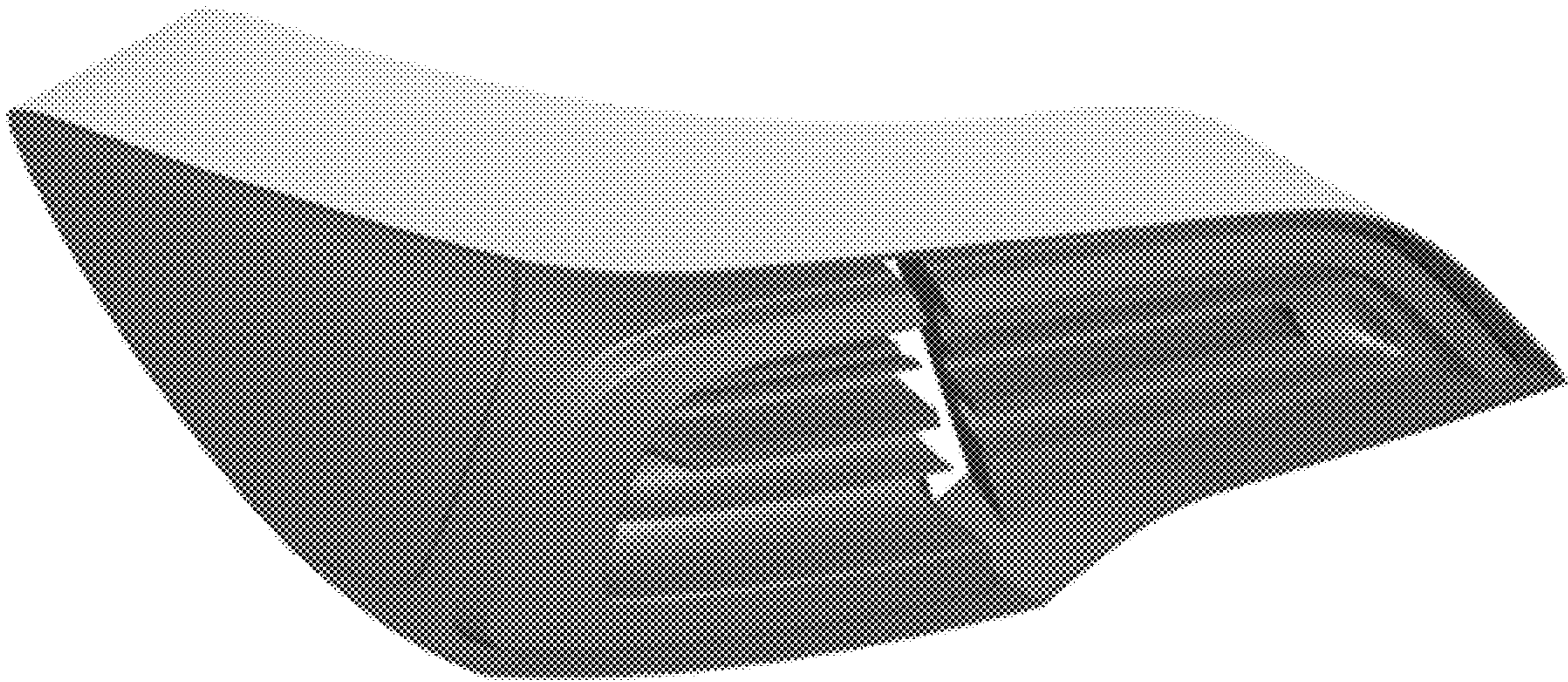


FIG. 3



FIG. 4