



US00D791376S

(12) **United States Design Patent**
Gallo

(10) **Patent No.:** **US D791,376 S**
(45) **Date of Patent:** **** Jul. 4, 2017**

(54) **TAIL LIGHT ADAPTOR**

(71) Applicant: **John Joseph Gallo**, Carmel, NY (US)

(72) Inventor: **John Joseph Gallo**, Carmel, NY (US)

(**) Term: **15 Years**

(21) Appl. No.: **29/556,261**

(22) Filed: **Feb. 29, 2016**

(51) **LOC (10) Cl.** **26-06**

(52) **U.S. Cl.**
USPC **D26/28**

(58) **Field of Classification Search**
USPC D26/28-36; 362/80-83, 267-269,
362/459-468, 475-478, 485-487
CPC F21S 48/00; F21S 48/10; F21S 48/115;
F21S 48/225; F21S 48/1233; F21S
48/1266; F21S 48/1388; F21S 48/2268;
F21V 21/04
See application file for complete search history.

(56) **References Cited**

U.S. PATENT DOCUMENTS

D547,889 S * 7/2007 Huang D26/28
D570,012 S * 5/2008 Huang D26/28

D578,678 S * 10/2008 Huang D26/28
D606,682 S * 12/2009 Chang D26/28
D720,483 S * 12/2014 Saddig D26/28

* cited by examiner

Primary Examiner — Marcus Jackson
(74) *Attorney, Agent, or Firm* — Dunlap Bennett & Ludwig PLLC

(57) **CLAIM**

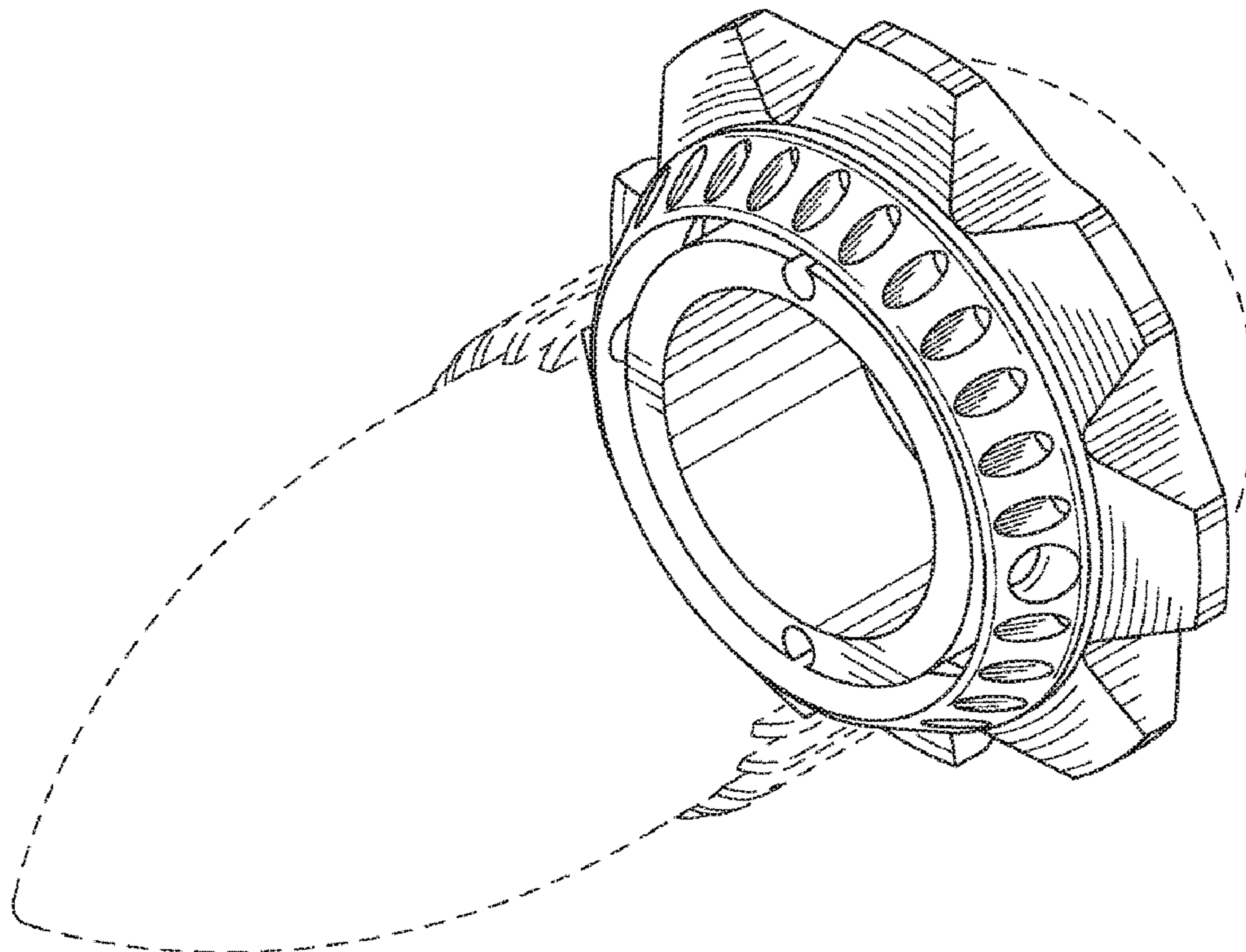
The ornamental design for a tail light adaptor, as shown and described.

DESCRIPTION

FIG. 1 is a top front perspective view the tail light adaptor; FIG. 2 is a front elevation view thereof; FIG. 3 is a rear elevation view thereof; FIG. 4 is a top elevation view thereof, with the bottom elevation view being a mirror image thereof; FIG. 5 is a right elevation view thereof, with the left elevation view being a mirror image thereof; FIG. 6 is a section view tail light adaptor, taken along line 6-6 in FIG. 2; and, FIG. 7 is a top front perspective view of the tail light adaptor, shown in use.

The broken lines shown in the drawings illustrate portions of the tail light adaptor that form no part of the claimed design.

1 Claim, 5 Drawing Sheets



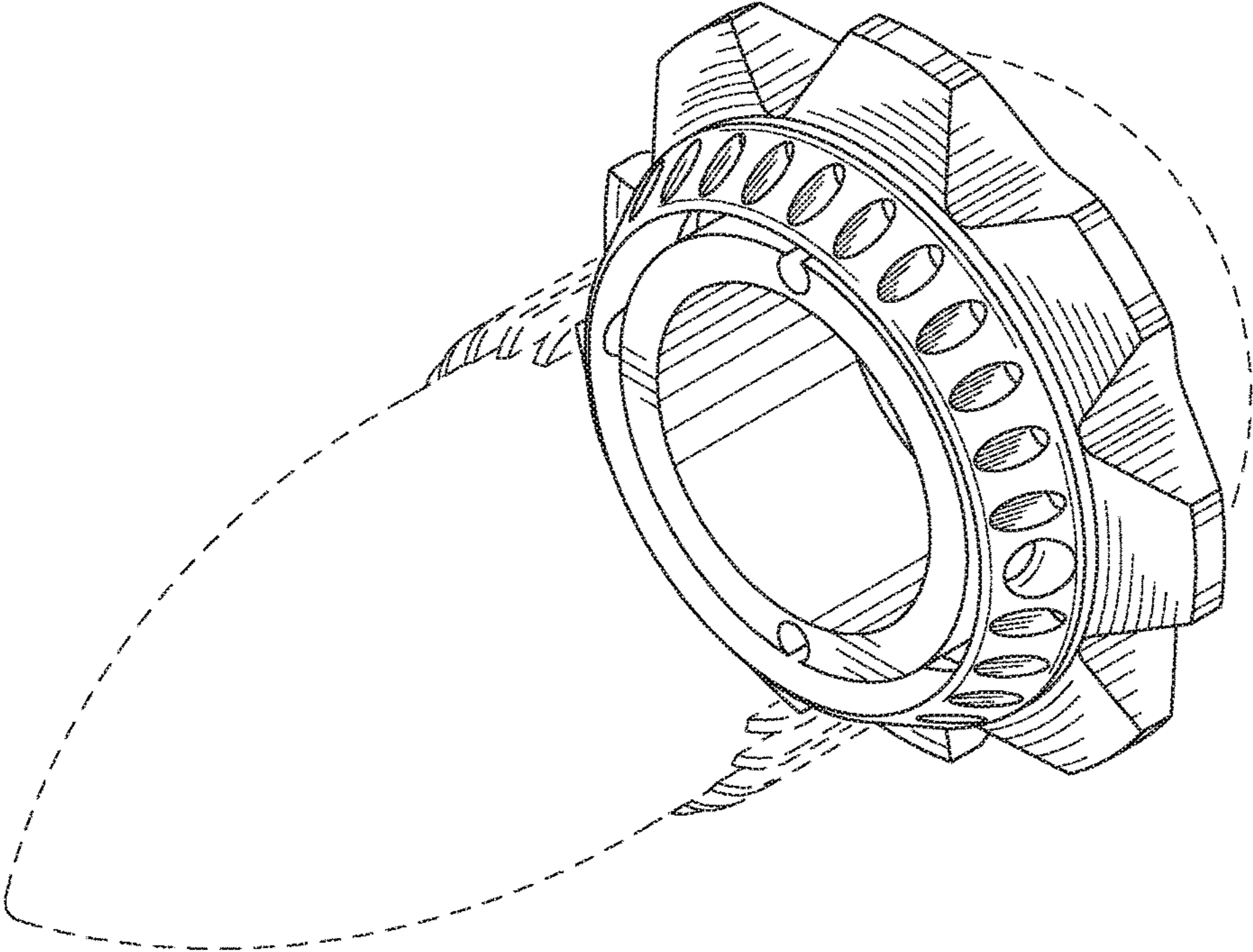


FIG. 1

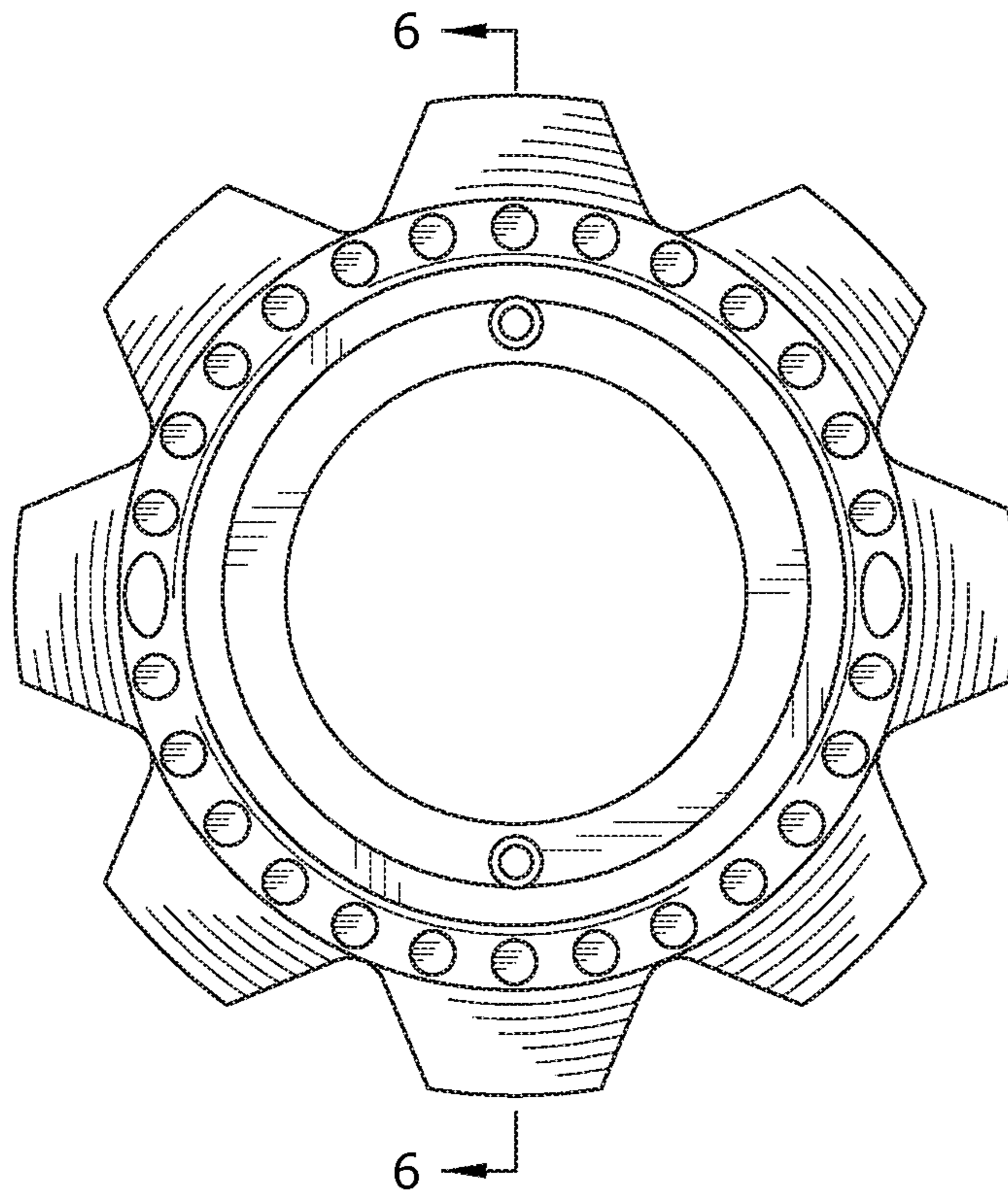


FIG. 2

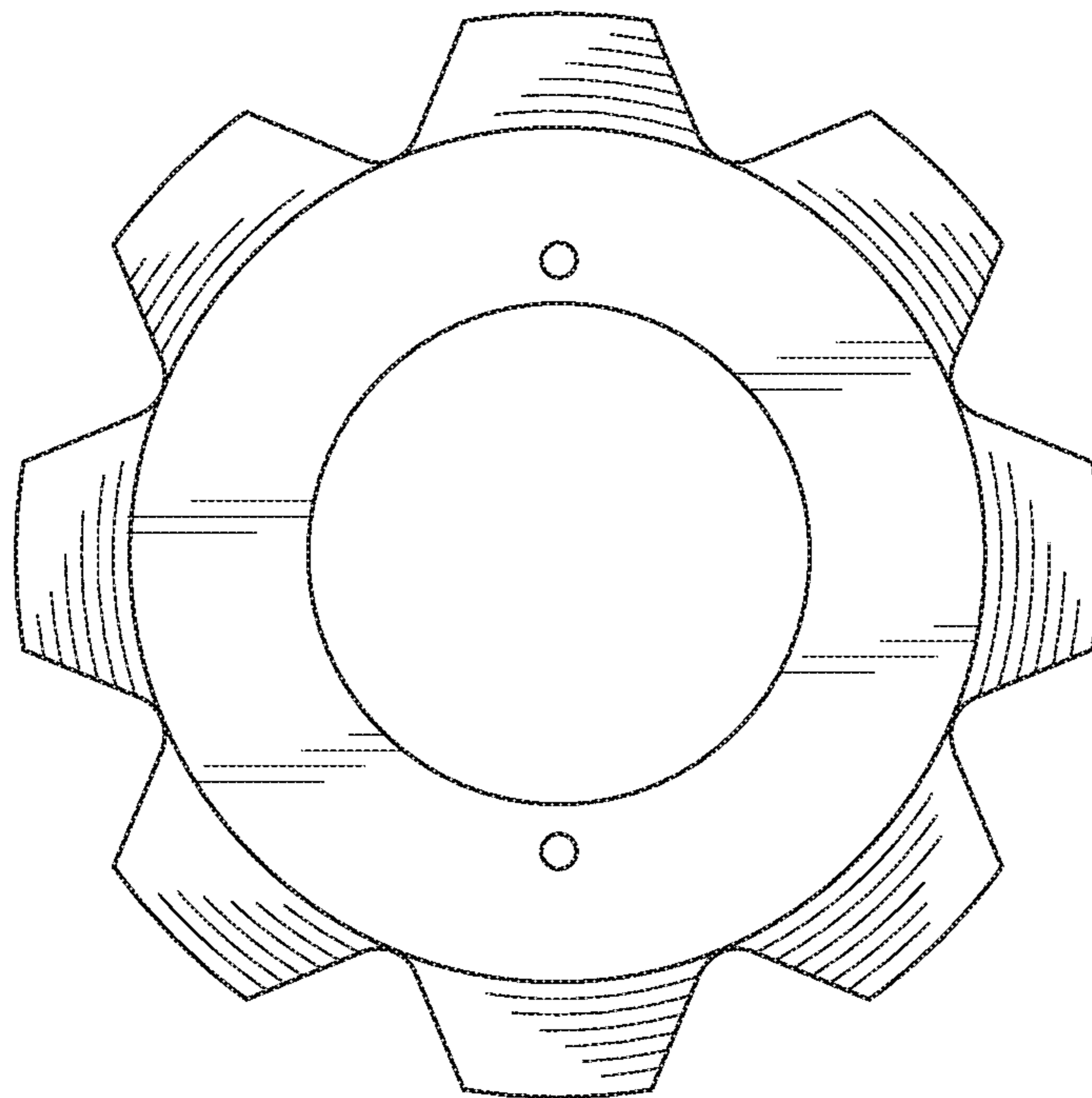


FIG. 3

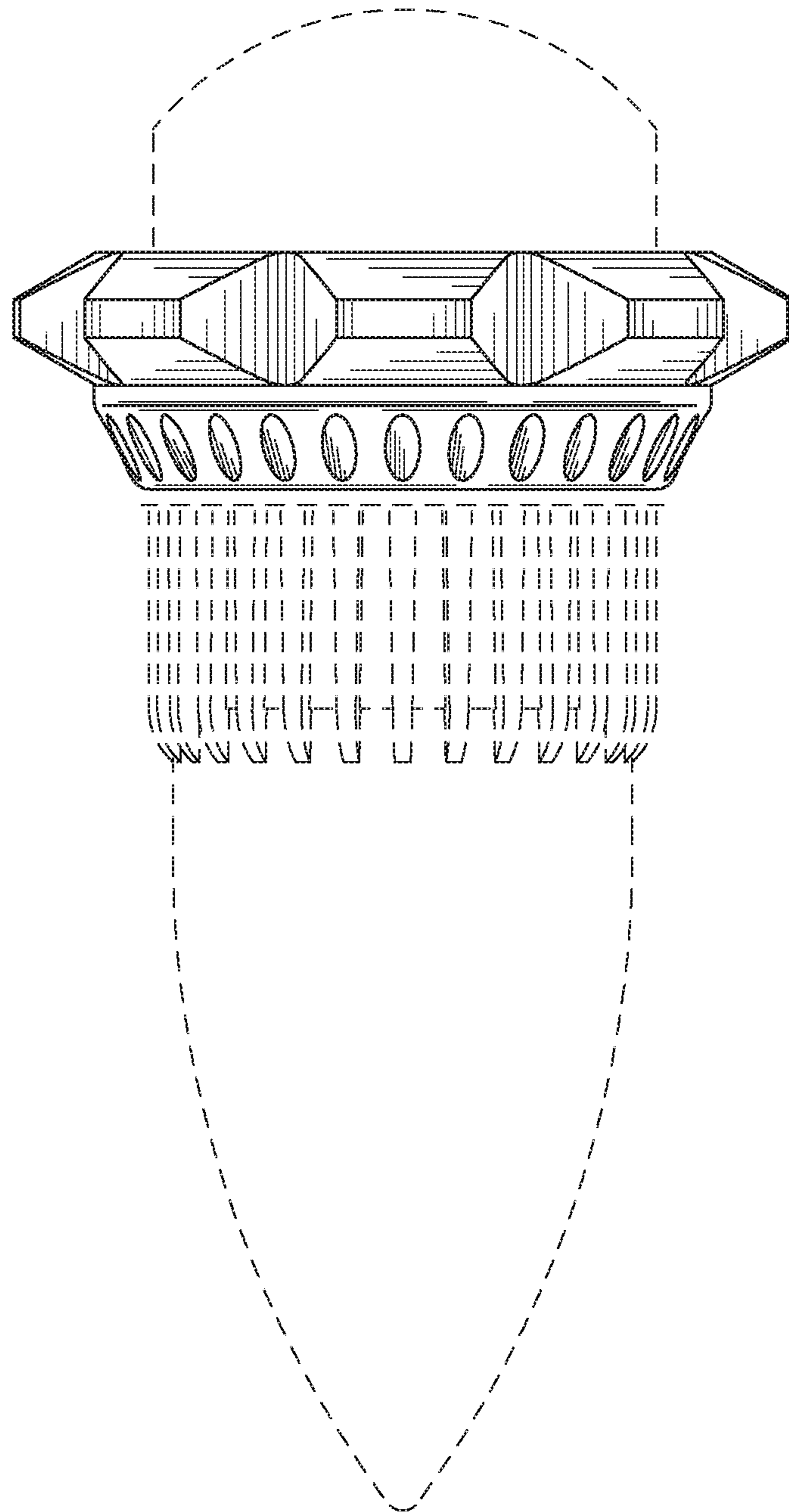


FIG. 4

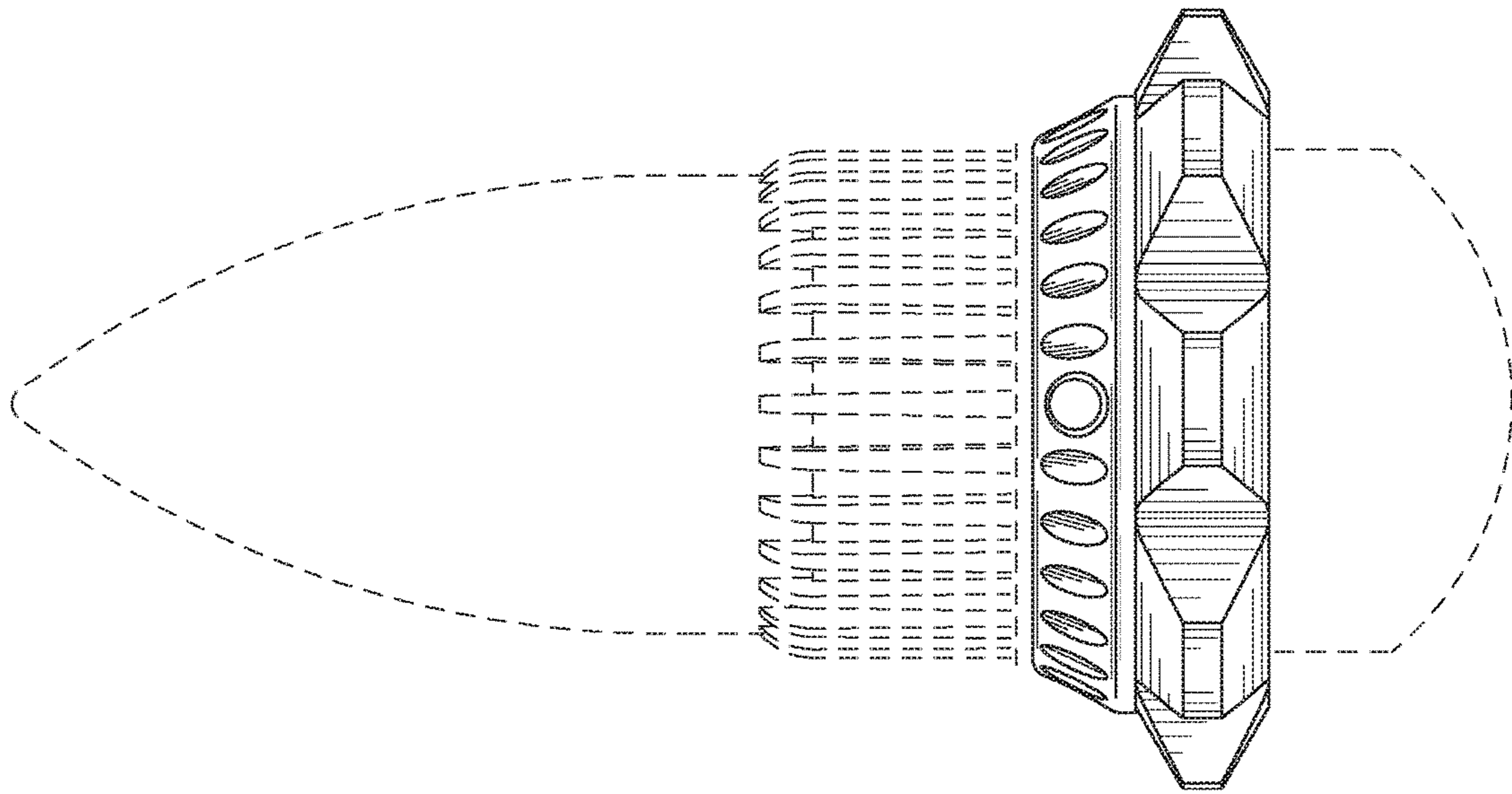


FIG. 5

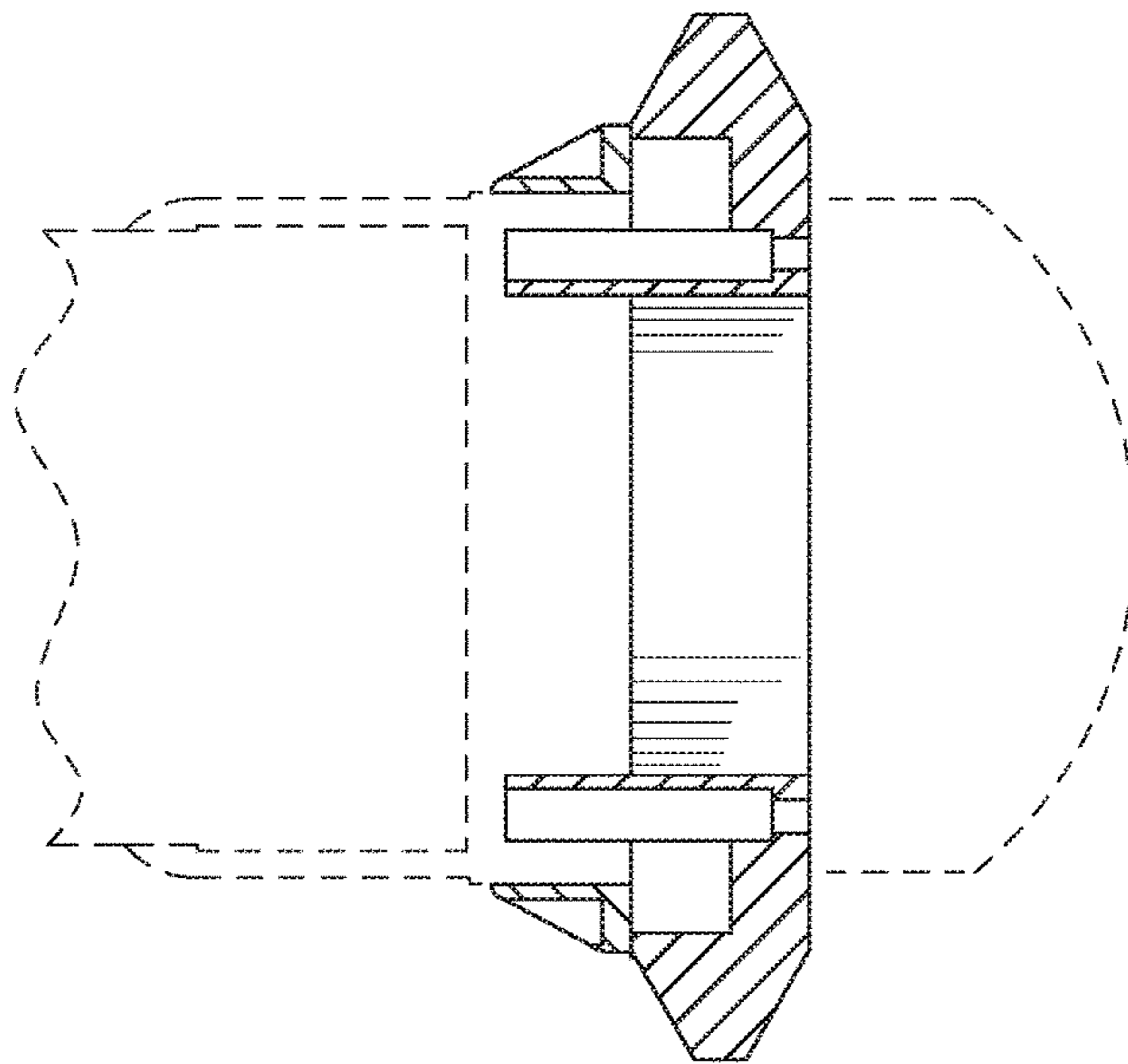


FIG. 6

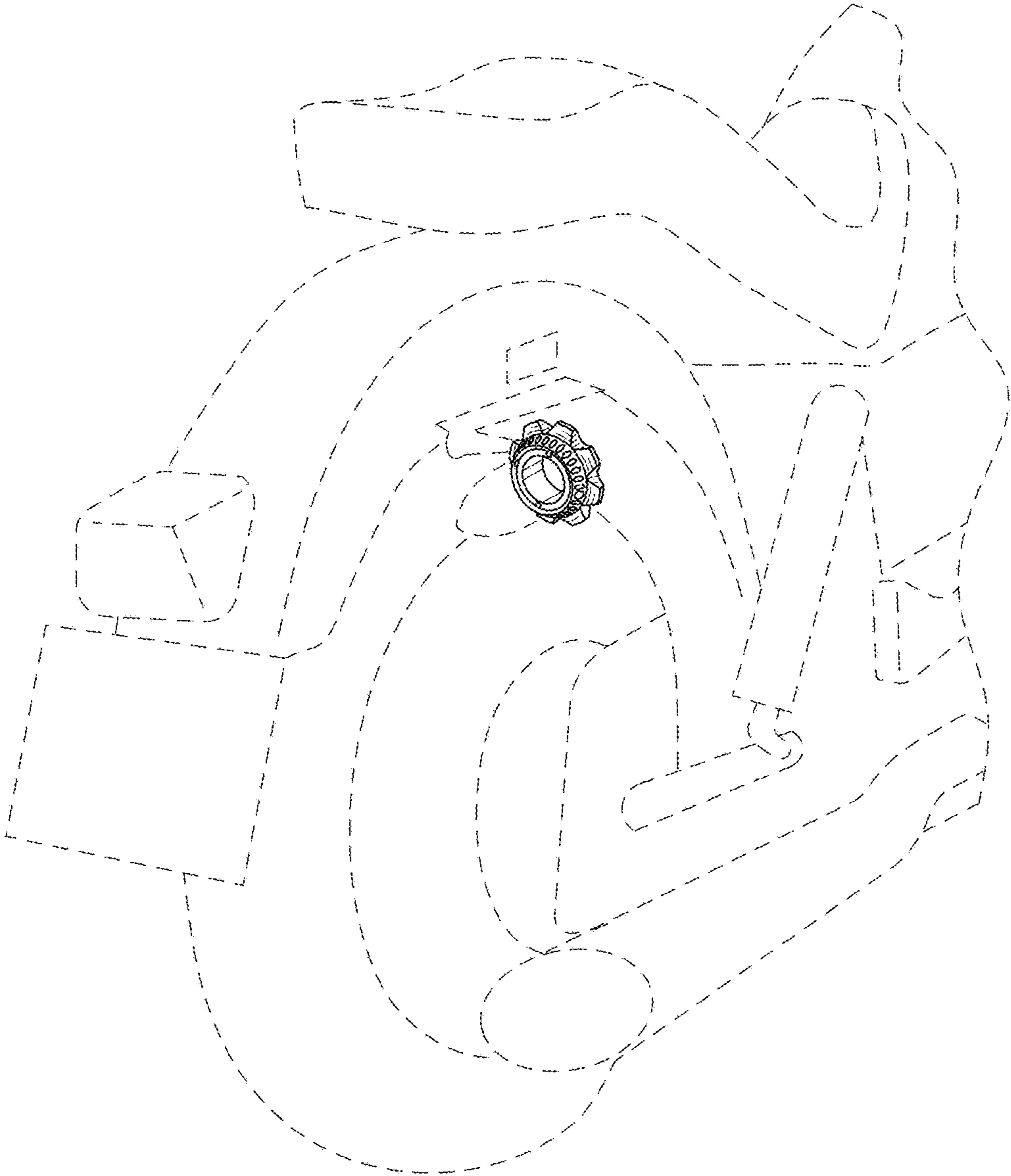


FIG. 7