



US00D791375S

(12) **United States Design Patent** (10) **Patent No.:** **US D791,375 S**
Lichte (45) **Date of Patent:** **** Jul. 4, 2017**

(54) **MOTOR VEHICLE TAILLIGHT**
(71) Applicant: **AUDI AG**, Ingolstadt (DE)
(72) Inventor: **Marc Lichte**, Ingolstadt (DE)
(73) Assignee: **AUDI AG**, Ingolstadt (DE)
(**) Term: **15 Years**
(21) Appl. No.: **29/533,822**
(22) Filed: **Jul. 22, 2015**

D512,790 S * 12/2005 Handsaker D26/28
D535,042 S * 1/2007 Nakayama D26/28
D637,746 S * 5/2011 Kong D26/28
D652,553 S * 1/2012 Vardis D26/28
D684,711 S * 6/2013 Chen D26/28
D708,369 S * 7/2014 Song D26/28
D711,025 S * 8/2014 Gueler D26/28
D711,562 S * 8/2014 Dickman D26/28
D738,551 S * 9/2015 Diephuis D26/28
D743,588 S * 11/2015 Wolff D26/28
D747,016 S * 1/2016 George D26/28
D751,233 S * 3/2016 Wolff D26/28
D765,891 S * 9/2016 Varga D26/28
D775,378 S * 12/2016 Hatton D26/28
D776,838 S * 1/2017 Wu D26/28
D780,961 S * 3/2017 Curic D26/28

Related U.S. Application Data

(63) Continuation of application No. 29/526,750, filed on May 13, 2015.

Foreign Application Priority Data

Nov. 17, 2014 (EM) 002 579 201-0001

(51) **LOC (10) Cl.** **26-06**

(52) **U.S. Cl.**
USPC **D26/28**

(58) **Field of Classification Search**
USPC D12/86, 90, 91, 92, 114, 163, 169, 171,
D12/172, 173, 181, 190, 196, 197, 199,
D12/400; D26/28-36
CPC .. B62J 6/02; B62J 6/00; B60Q 3/0279; B60Q
1/04; B60Q 1/0408; B60Q 1/0466; B60Q
1/2653; B60Q 1/28
See application file for complete search history.

References Cited

U.S. PATENT DOCUMENTS

D447,825 S * 9/2001 Lee D26/28
D472,986 S * 4/2003 Kim D26/28

* cited by examiner

Primary Examiner — Darlington Ly

(74) *Attorney, Agent, or Firm* — Lucas & Mercanti, LLP;
Klaus P. Stoffel

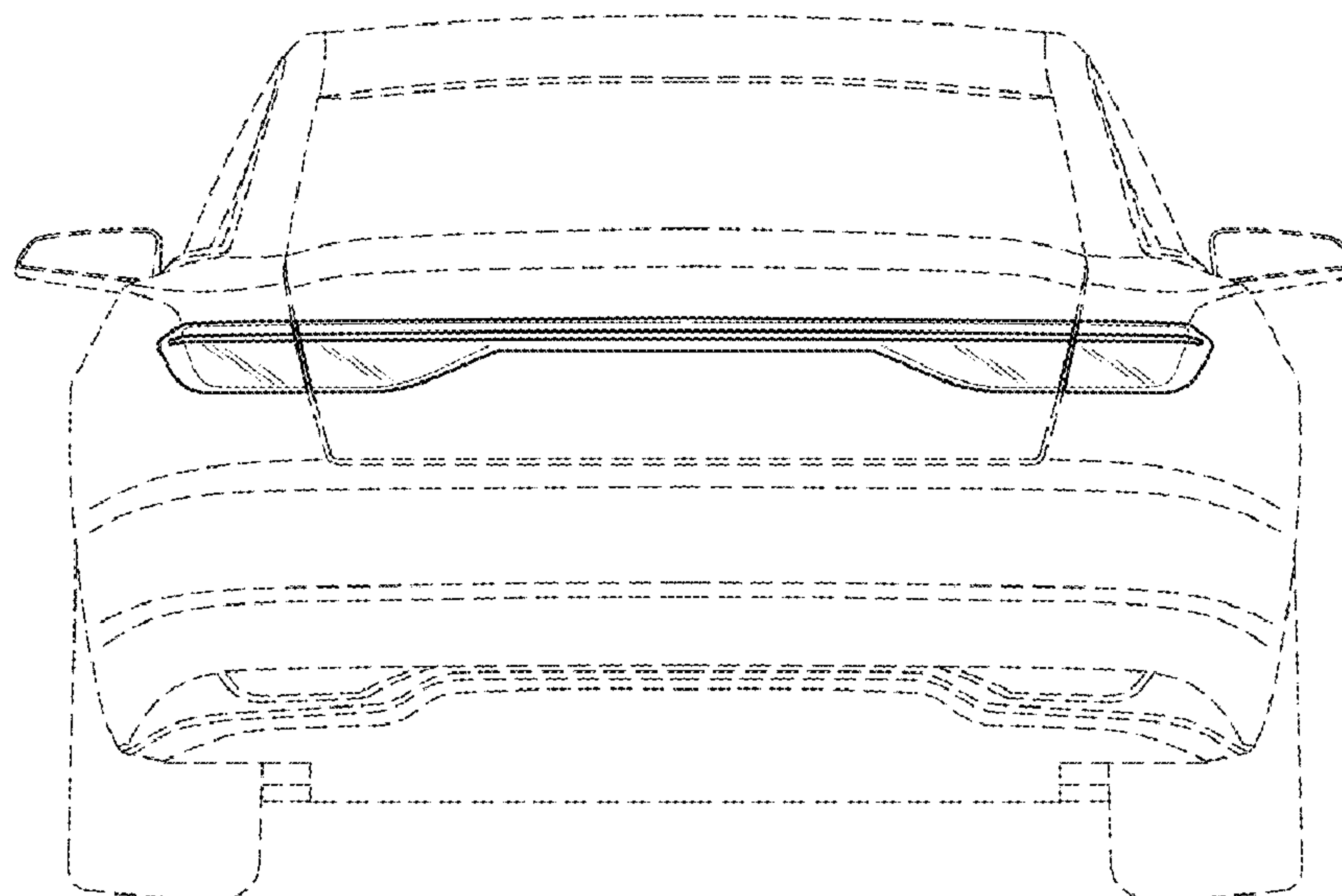
(57) **CLAIM**

The ornamental design for a motor vehicle taillight, as shown and described.

DESCRIPTION

FIG. 1 is a front elevation view of a motor vehicle taillight showing my new design;
FIG. 2 is a left side elevation view thereof;
FIG. 3 is a right side elevation view thereof;
FIG. 4 is a top plan view thereof;
FIG. 5 is a rear and left side perspective view thereof; and,
FIG. 6 is a front and right side perspective view thereof.
The broken line showing of the motor vehicle is provided for the purpose of illustrating environmental structure and form no part of the claimed design.

1 Claim, 6 Drawing Sheets



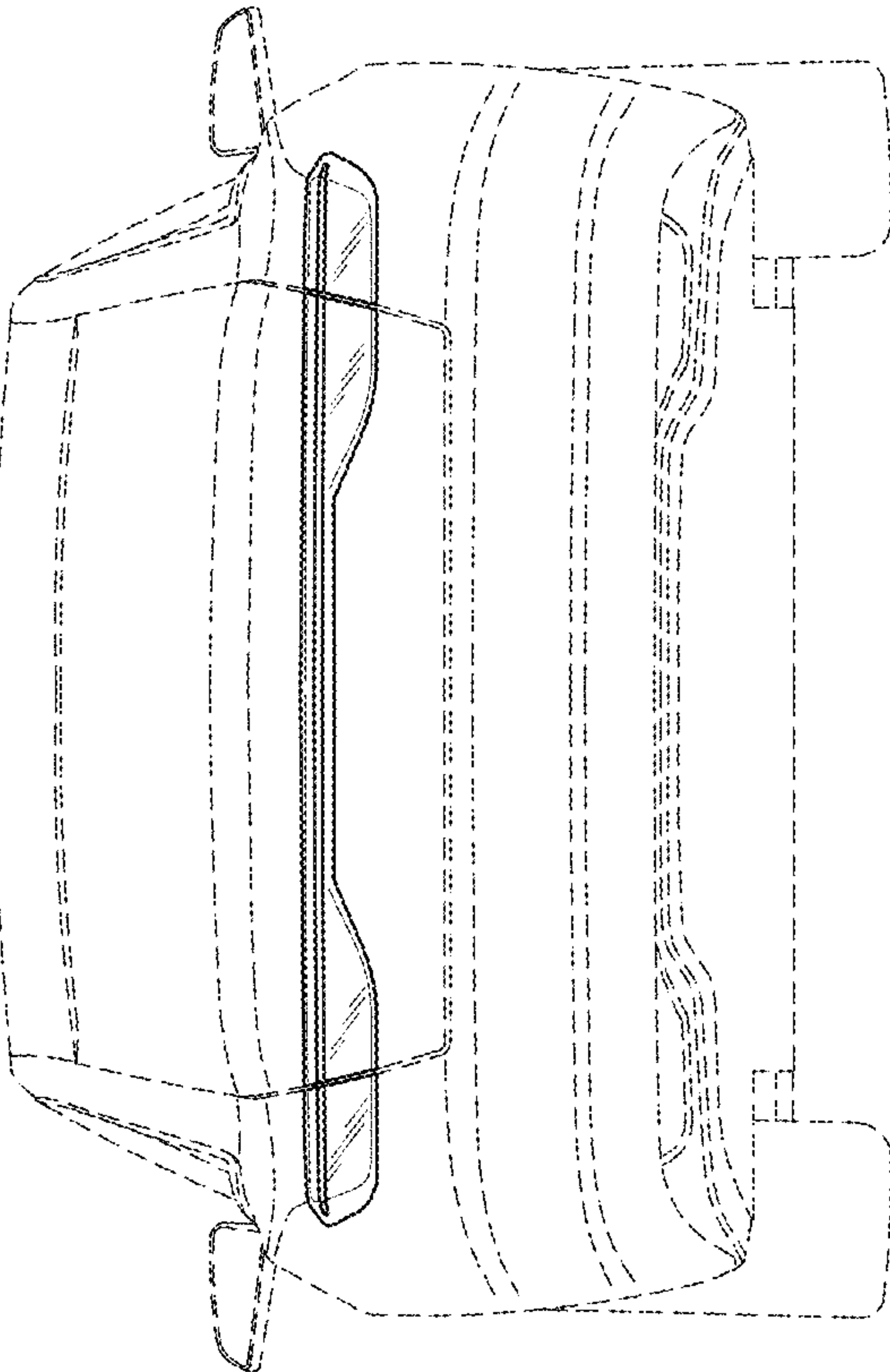


FIG. 1

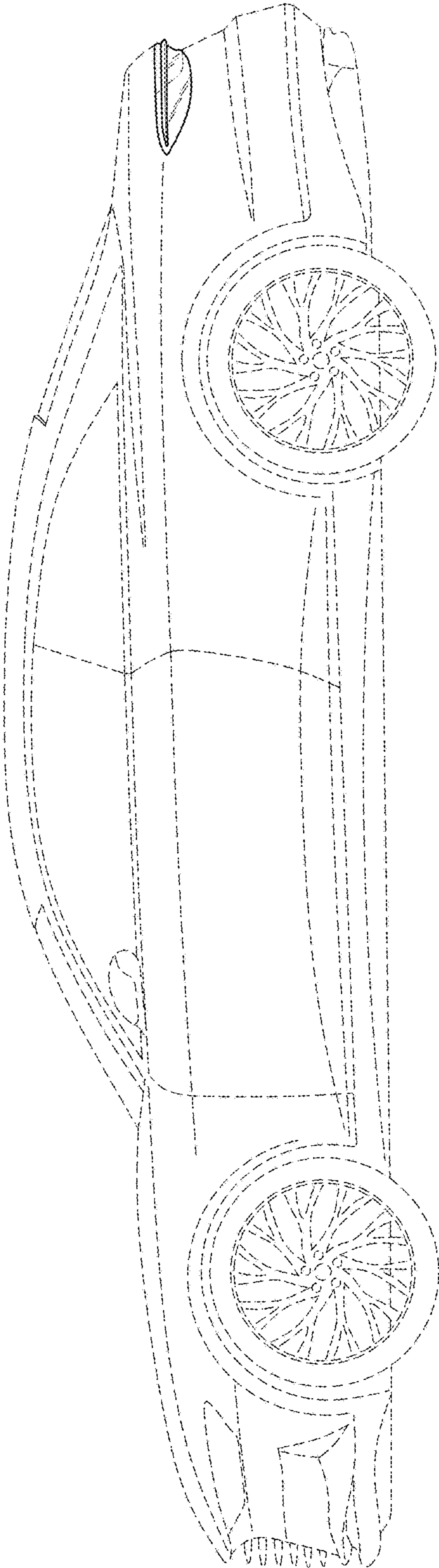


FIG. 2

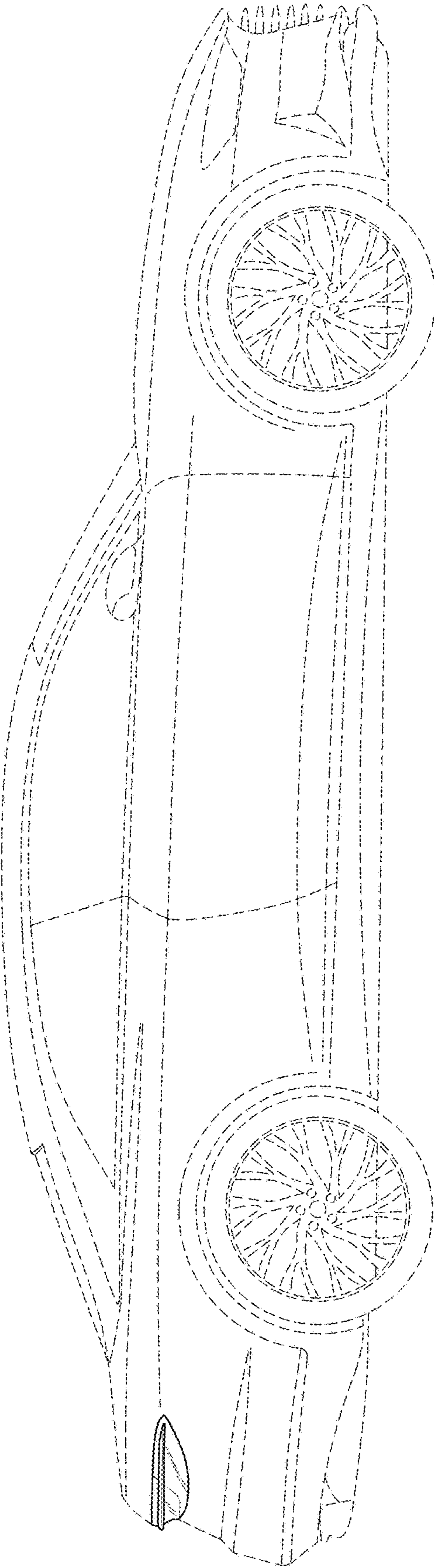


FIG. 3

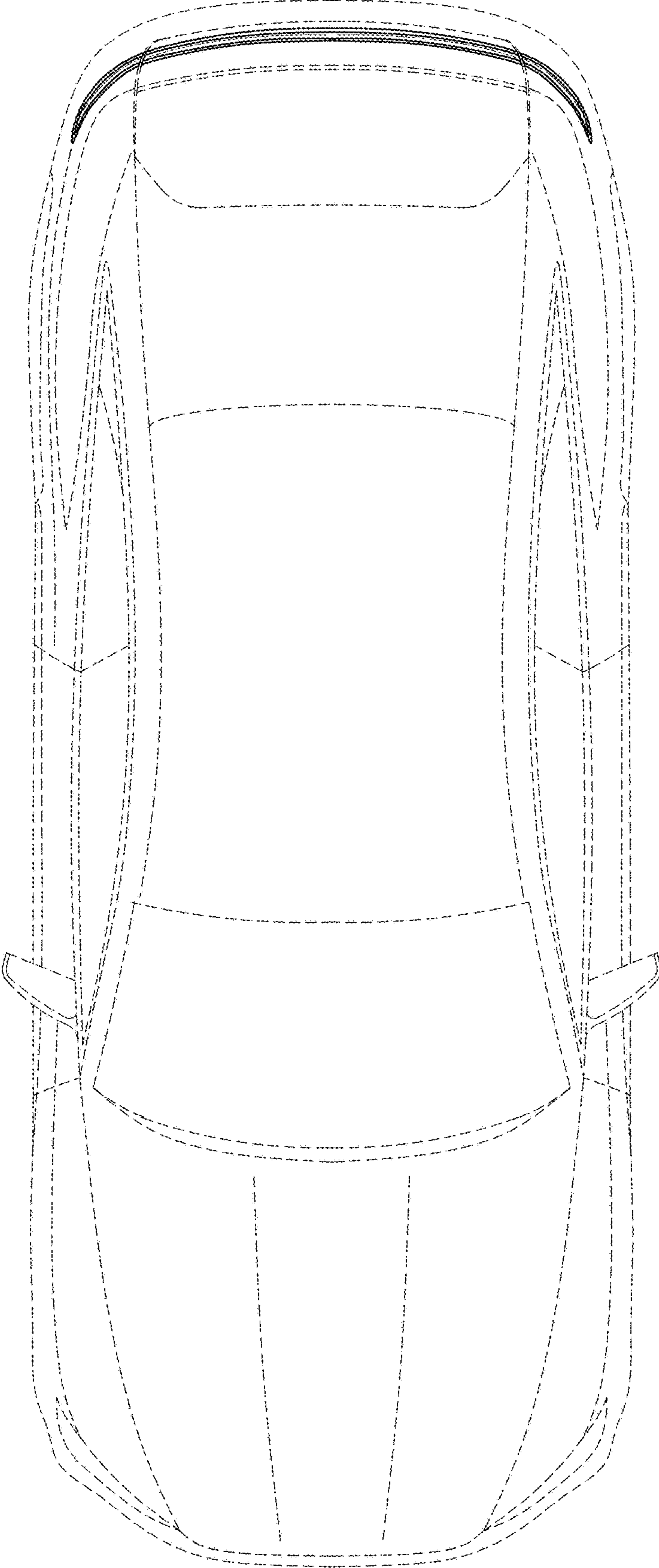


FIG. 4

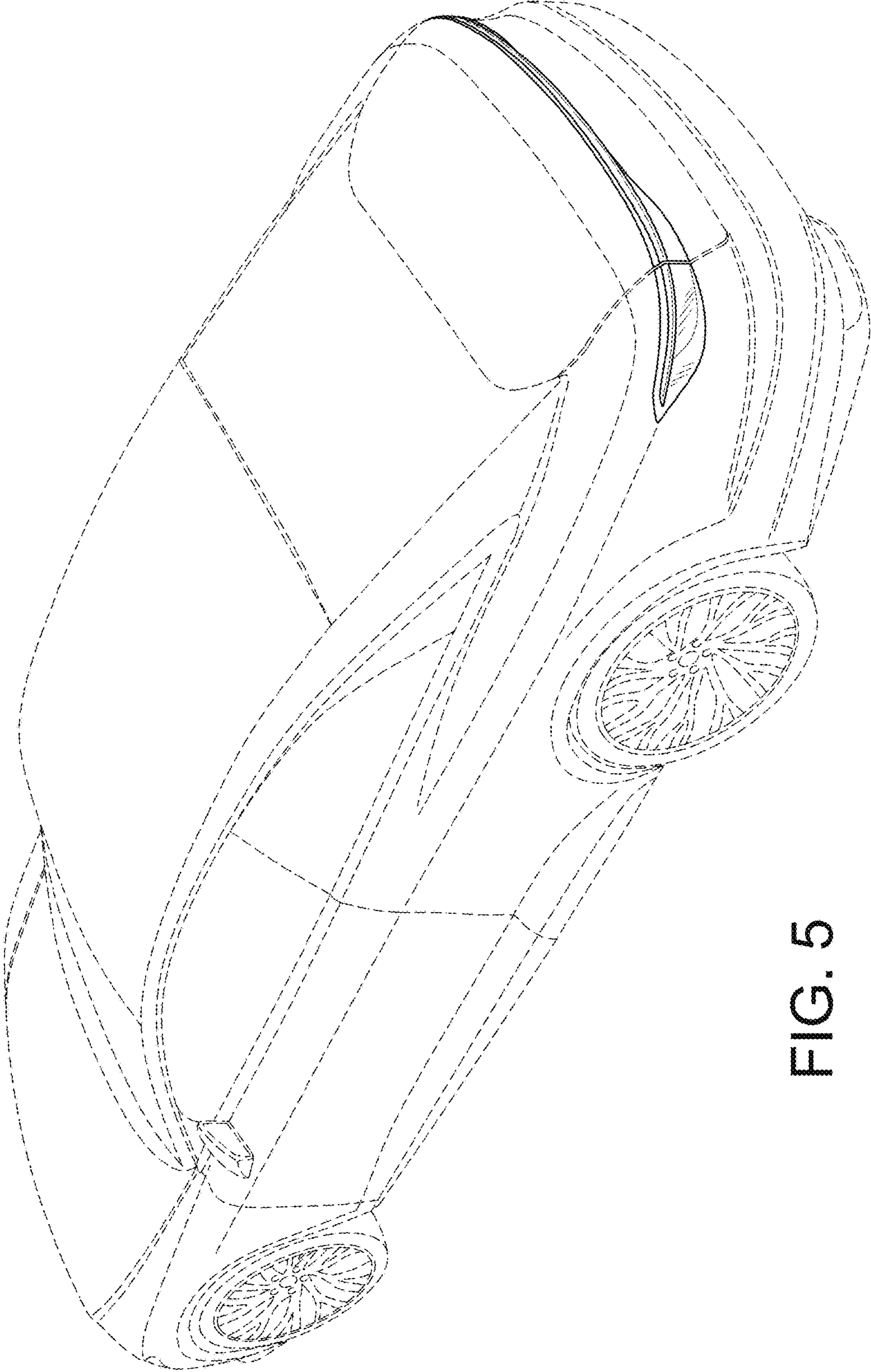


FIG. 5

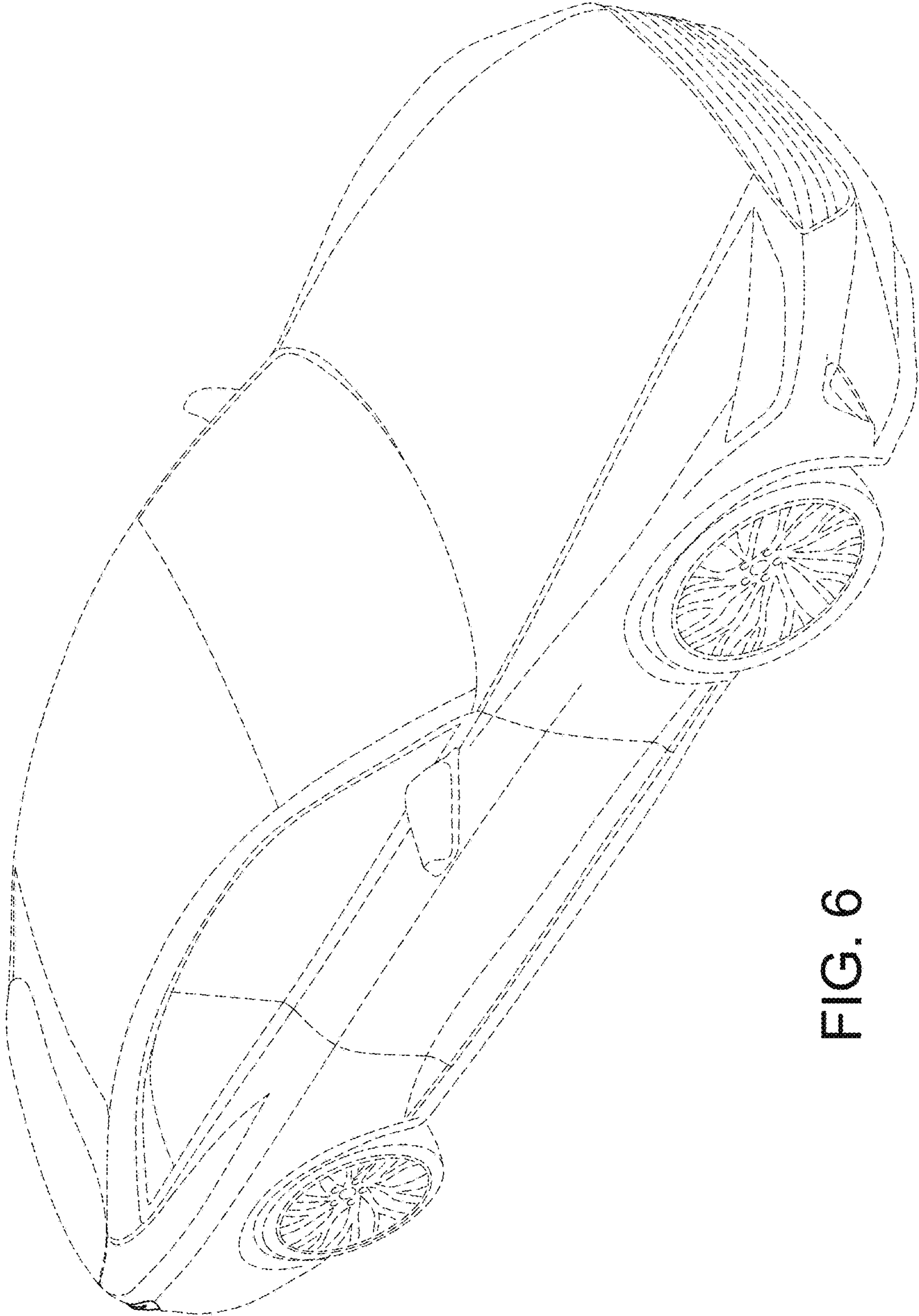


FIG. 6