

US00D791373S

(12) **United States Design Patent** (10) **Patent No.:** **US D791,373 S**
Hendifar et al. (45) **Date of Patent:** **** Jul. 4, 2017**

(54) **LANTERN**
(71) Applicant: **APPARATUS LLC**, New York, NY (US)
(72) Inventors: **Gabriel Hendifar**, Rhinebeck, NY (US); **Jeremy R. Anderson**, Rhinebeck, NY (US)
(**) Term: **15 Years**
(21) Appl. No.: **29/558,022**
(22) Filed: **Mar. 15, 2016**
(51) **LOC (10) Cl.** **26-01**
(52) **U.S. Cl.** **D26/22**
(58) **Field of Classification Search**
USPC D26/9, 22, 104
CPC F23D 3/16; F21V 35/00; F21V 35/003; F21V 35/006; F21V 33/004; F21V 9/12; A61L 9/02; A61L 2209/12; A61L 9/03; A61L 9/035; A61L 9/00; A61L 9/012; A61L 9/12; H05B 3/68
See application file for complete search history.

D437,040 S * 1/2001 Soller D26/9
D448,097 S * 9/2001 Bodum D26/9
D471,663 S * 3/2003 Olson D26/104
D487,687 S * 3/2004 Shields, Jr. D26/9
D497,441 S * 10/2004 Therrien D26/9

* cited by examiner

Primary Examiner — Brian N Vinson
(74) *Attorney, Agent, or Firm* — Gottlieb, Rackman & Reisman, P.C.

(57) **CLAIM**

The ornamental design for a lantern, as shown and described.

DESCRIPTION

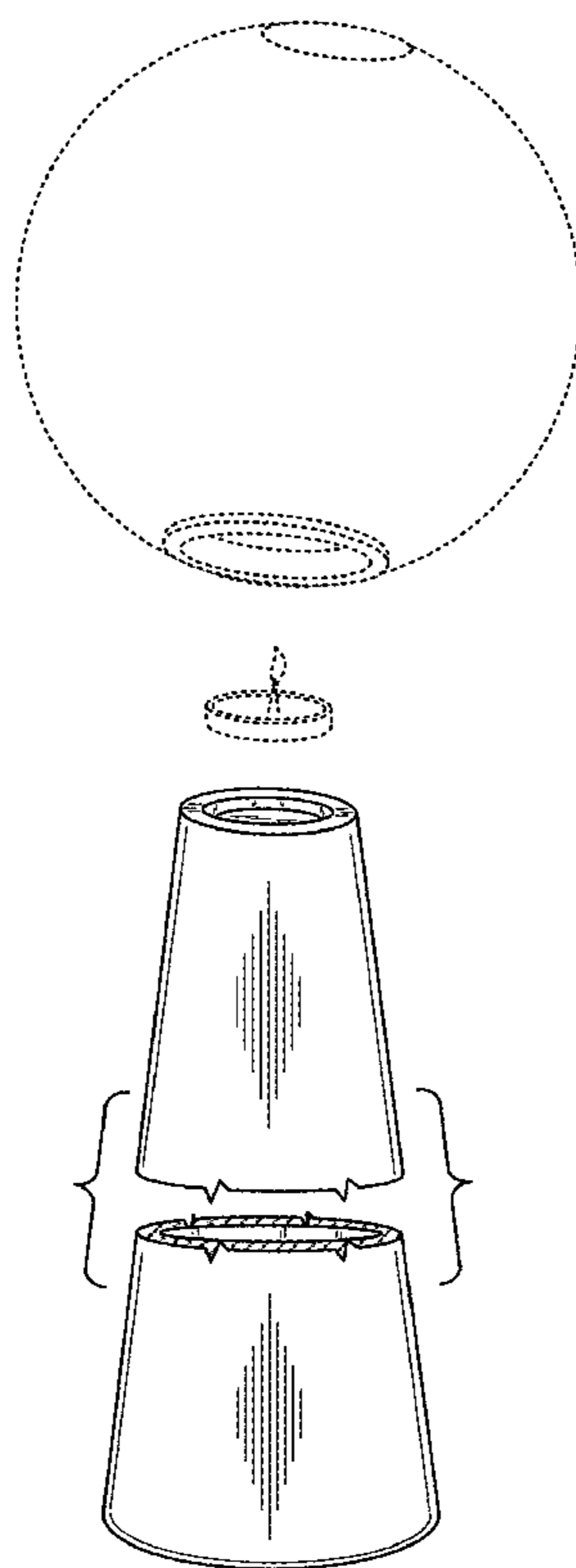
FIG. 1 is a perspective view of the lantern, showing our new design;
FIG. 2 is an exploded perspective view of FIG. 1;
FIG. 3 is a front elevation view of FIG. 2, the rear elevation view, the right side elevation view and the left side elevation view being a mirror image;
FIG. 4 is a top plan view of FIG. 2; and,
FIG. 5 is a bottom plan view of FIG. 2.
The break lines in FIGS. 1, 2 and 3 are to indicate that the appearance of any portion of the lantern between the break lines forms no part of the claimed design, and the broken lines in FIGS. 1, 2 and 3 represent the portions of the lantern that form no part of the claimed design as well.

(56) **References Cited**

U.S. PATENT DOCUMENTS

3,570,156 A * 3/1971 Walker F21V 9/12
40/406
D359,369 S * 6/1995 Caplette D26/11

1 Claim, 4 Drawing Sheets



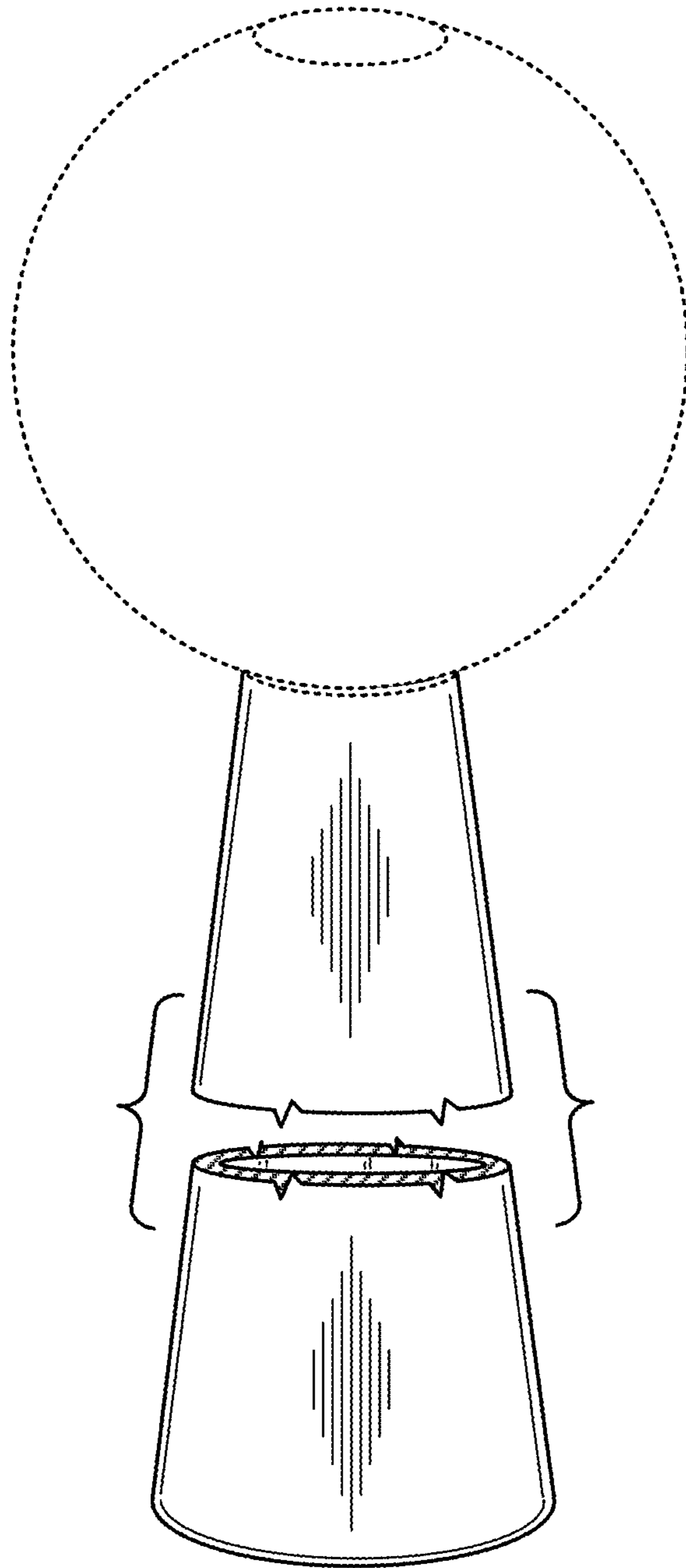


FIG. 1

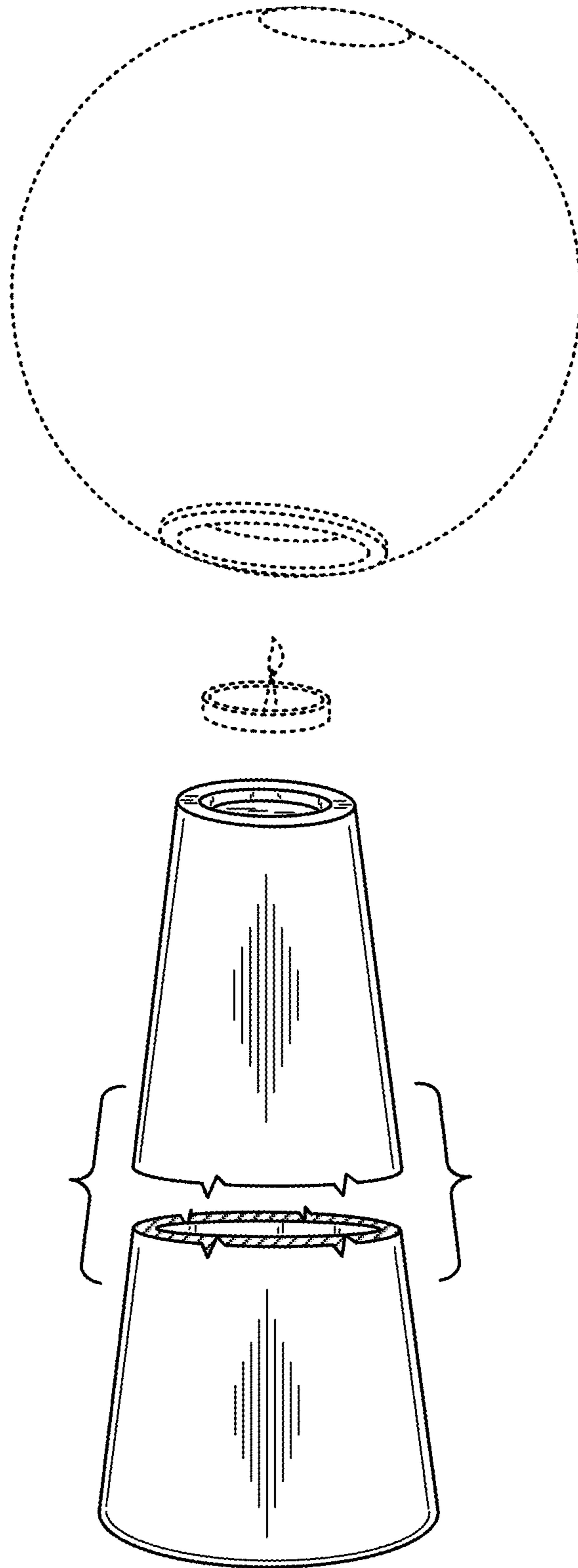


FIG. 2

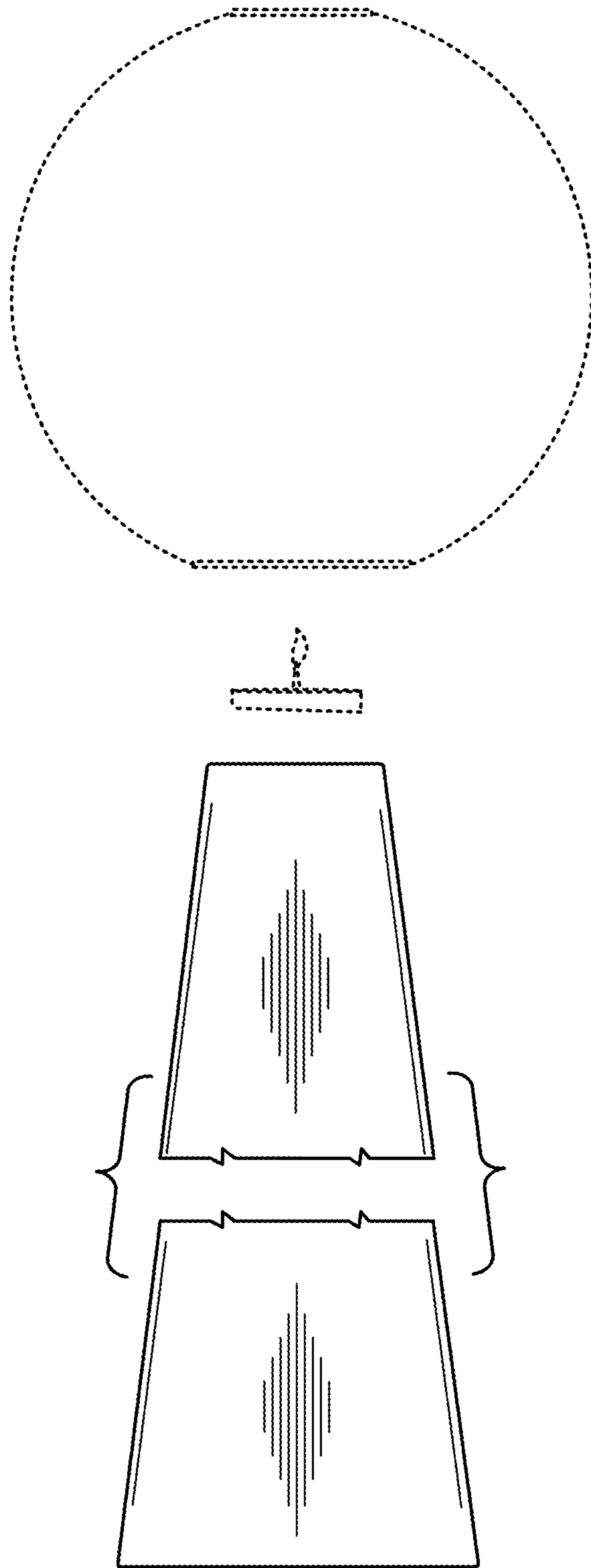


FIG. 3

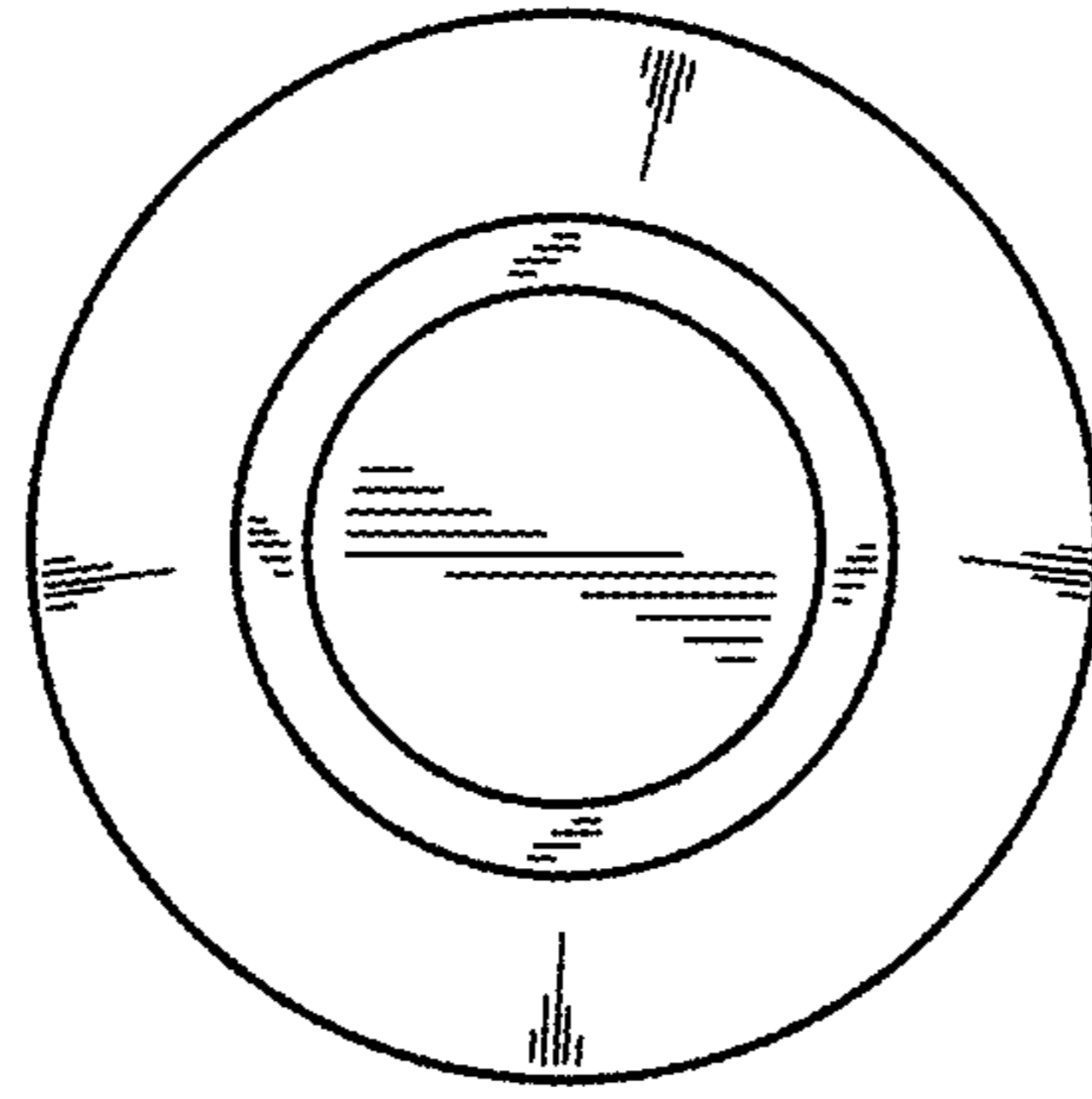


FIG. 4

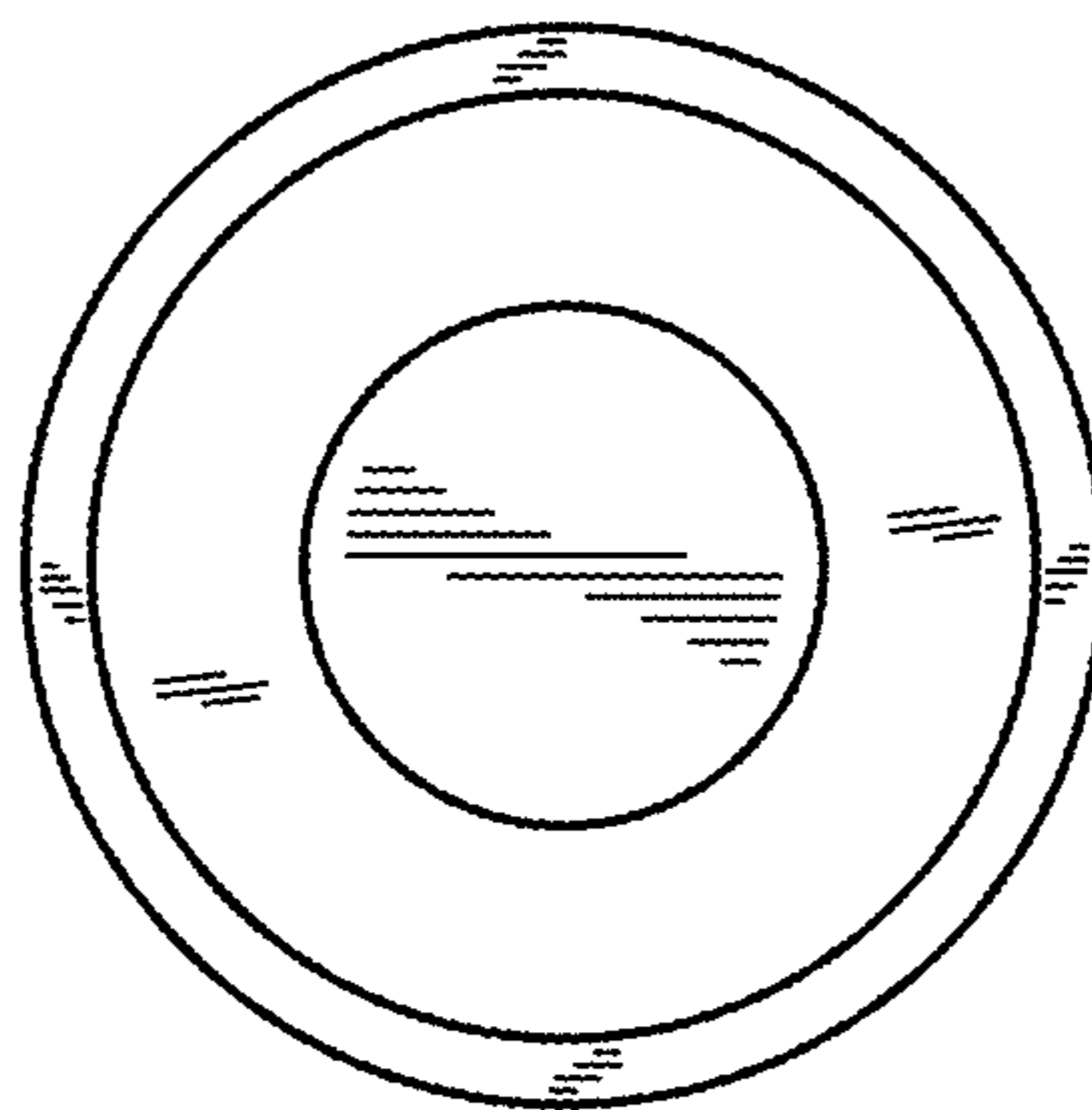


FIG. 5