



US00D791370S

(12) **United States Design Patent**
Zhang et al.

(10) **Patent No.:** **US D791,370 S**

(45) **Date of Patent:** **** Jul. 4, 2017**

(54) **PORTION OF A LED LAMP**

- (71) Applicant: **GE Lighting Solutions, LLC**, East Cleveland, OH (US)
- (72) Inventors: **Wenjiang Zhang**, Shanghai (CN); **Ruojian Zhu**, Shanghai (CN); **Yuqing Han**, Shanghai (CN)
- (73) Assignee: **GE LIGHTING SOLUTIONS, LLC**, East Cleveland, OH (US)
- (**) Term: **15 Years**
- (21) Appl. No.: **29/564,569**
- (22) Filed: **May 13, 2016**
- (30) **Foreign Application Priority Data**

Nov. 17, 2015 (CN) 2015 3 0460093

(51) **LOC (10) Cl.** **26-04**

(52) **U.S. Cl.**
USPC **D26/2**

(58) **Field of Classification Search**
USPC D26/1-4; 313/313, 315, 316, 317, 318, 313/493; 315/52, 53, 56, 57, 58
CPC H01R 5/00; H01R 13/46; H01R 13/514; H01R 31/048; H01R 31/02; H01J 5/00; H01J 5/16; H01J 15/00; H01J 5/48; H01J 5/50; H01J 19/54; F21V 5/00

See application file for complete search history.

(56) **References Cited**

U.S. PATENT DOCUMENTS

D592,766 S *	5/2009	Zhu	D26/2
D607,587 S *	1/2010	Ko	D26/2
D610,275 S *	2/2010	Cho	D26/2
D613,433 S *	4/2010	Moon	D26/2
D687,985 S *	8/2013	Tu	D26/2

* cited by examiner

Primary Examiner — Marcus Jackson

(74) *Attorney, Agent, or Firm* — GE Global Patent Operation; Peter T. DiMauro

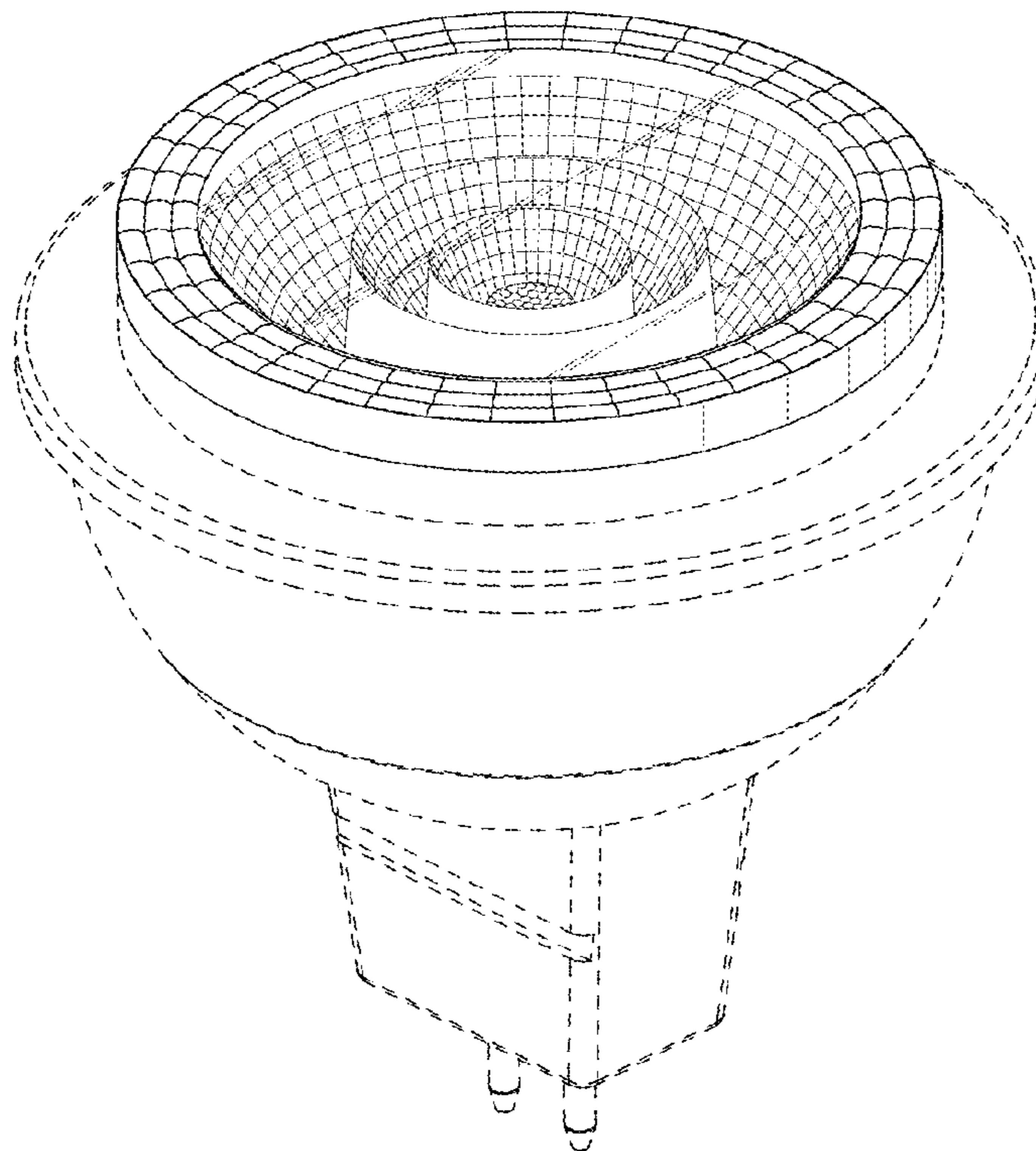
(57) **CLAIM**

The ornamental design for an portion of a LED lamp, as shown and described.

DESCRIPTION

FIG. 1 is a perspective view of an portion of a LED lamp in accordance with the present design; FIG. 2 is a side view thereof; FIG. 3 is a top plan view thereof; and, FIG. 4 is a bottom plan view thereof. The broken lines are for illustrative purposes only and form no part of the claimed design. Any shading forms no part of the claimed design and is provided to illustrate contour only and is not an indication of texture, gloss, and the like.

1 Claim, 4 Drawing Sheets



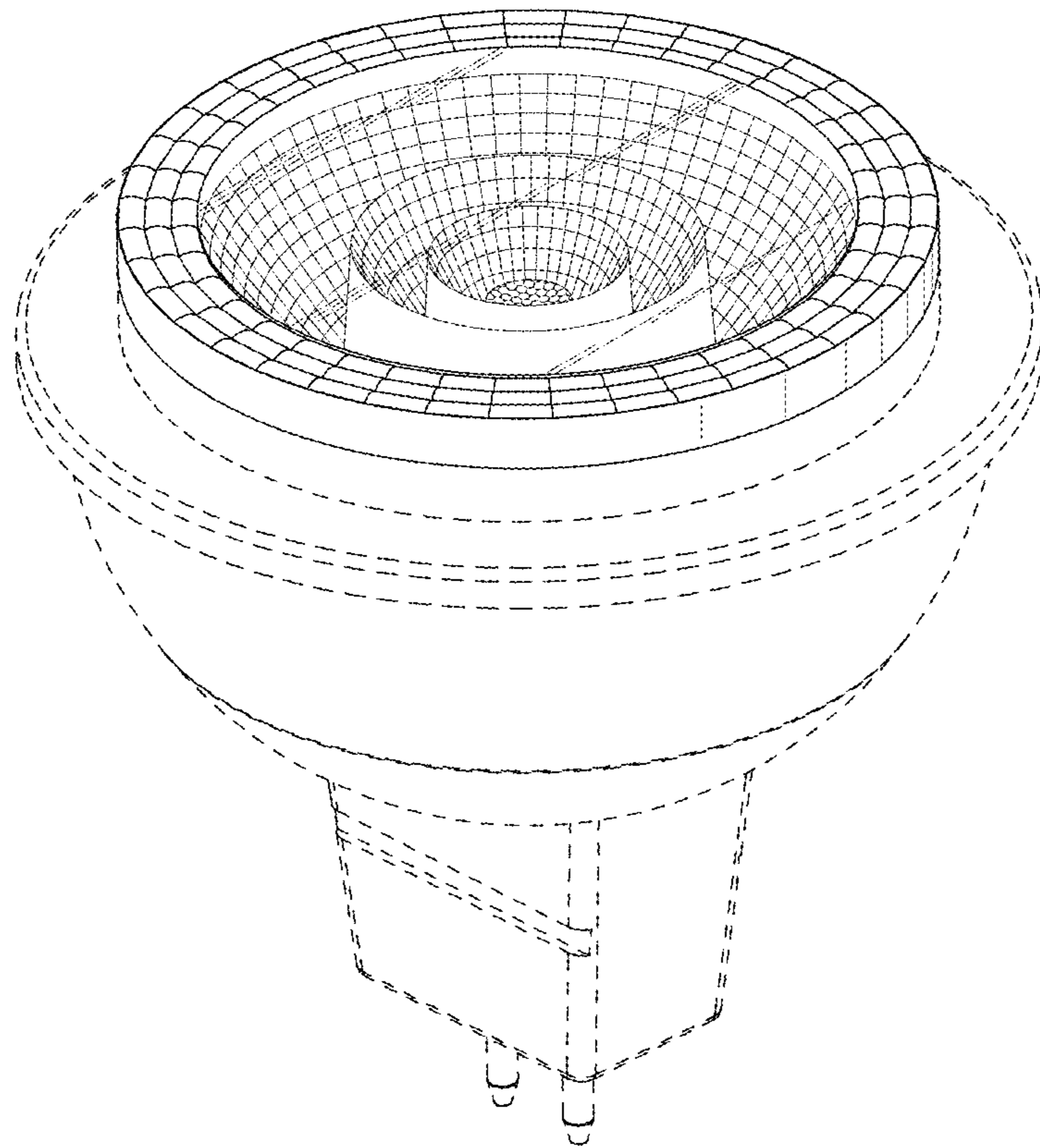


FIG. 1

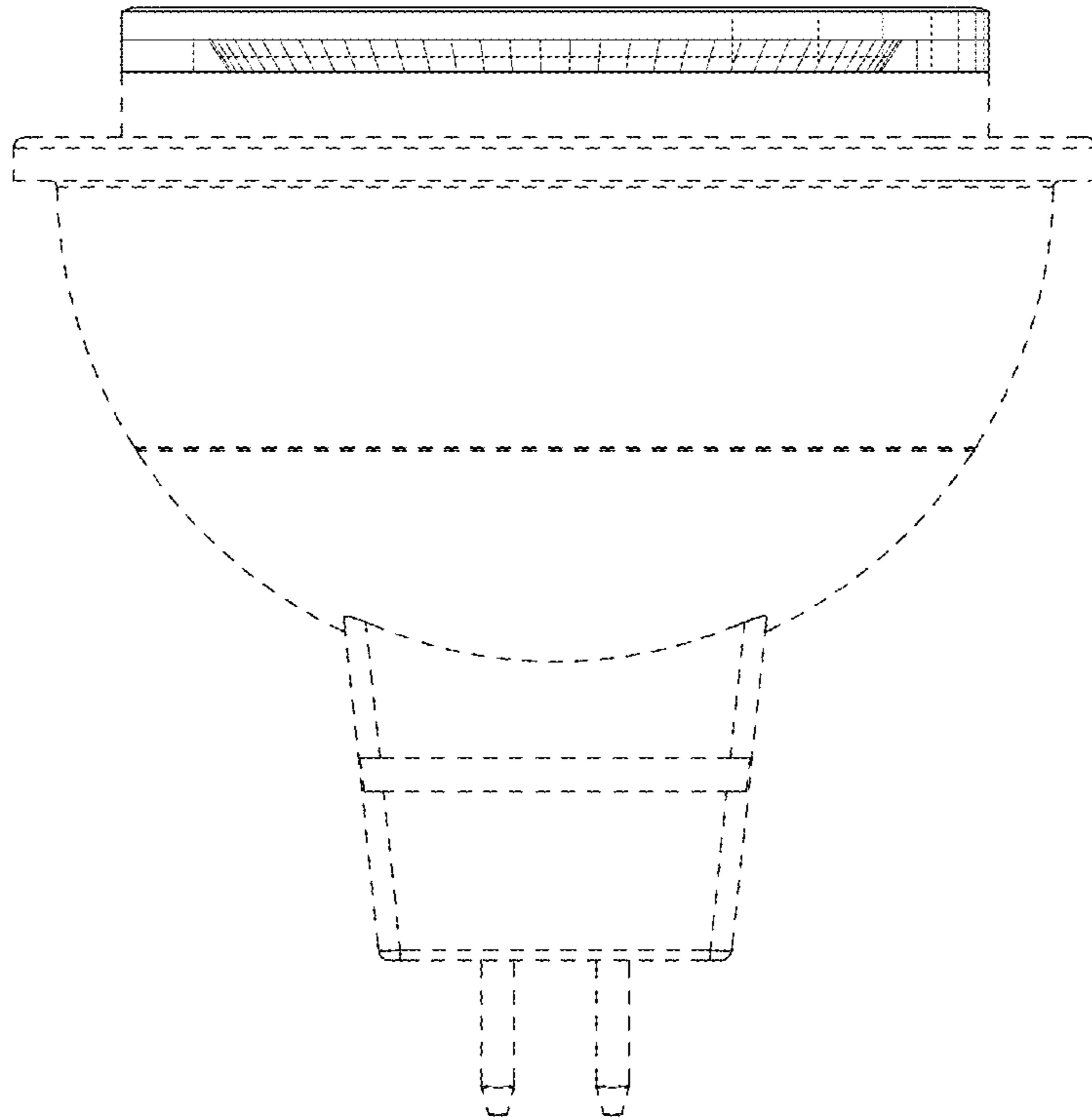


FIG. 2

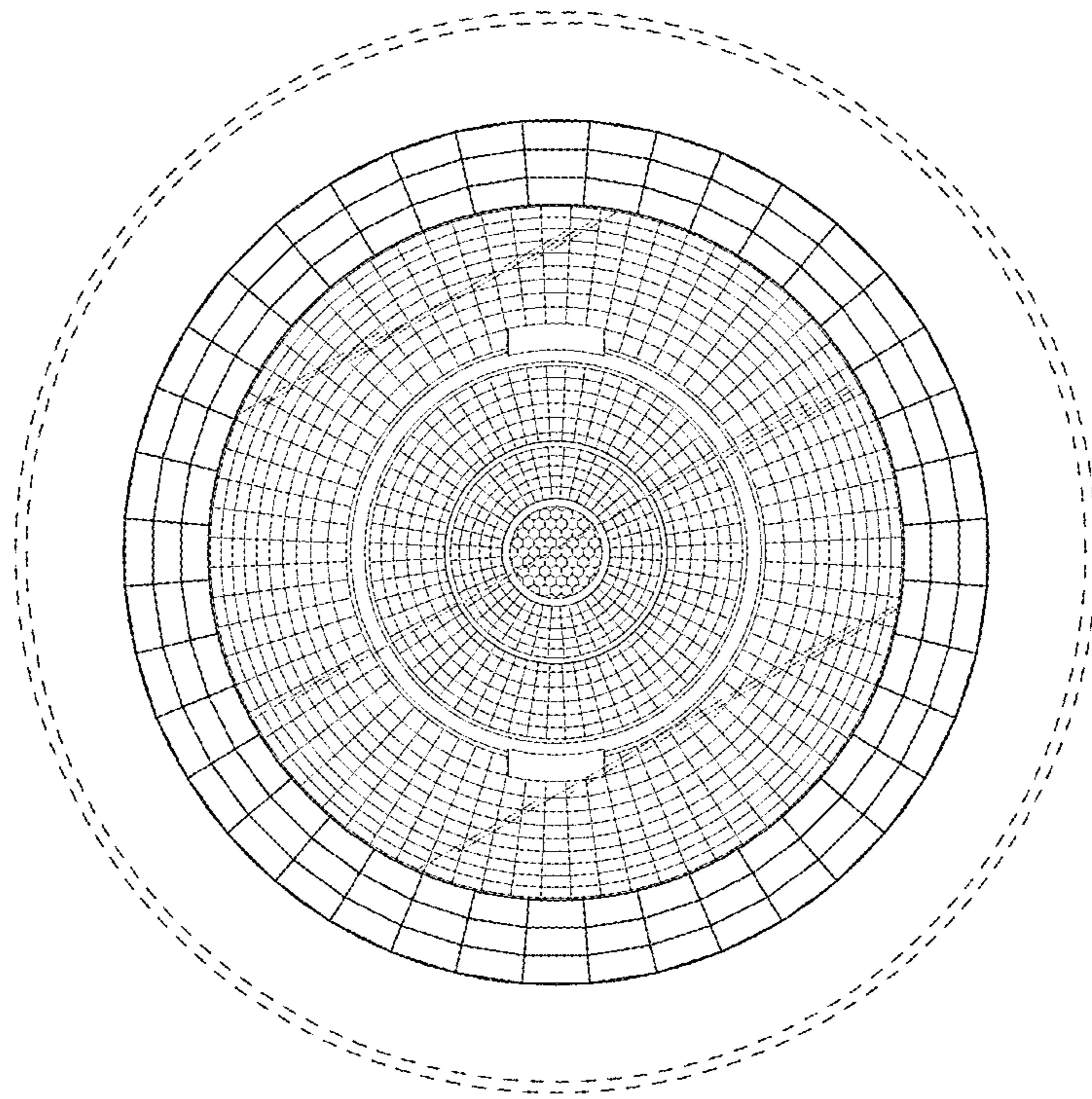


FIG. 3

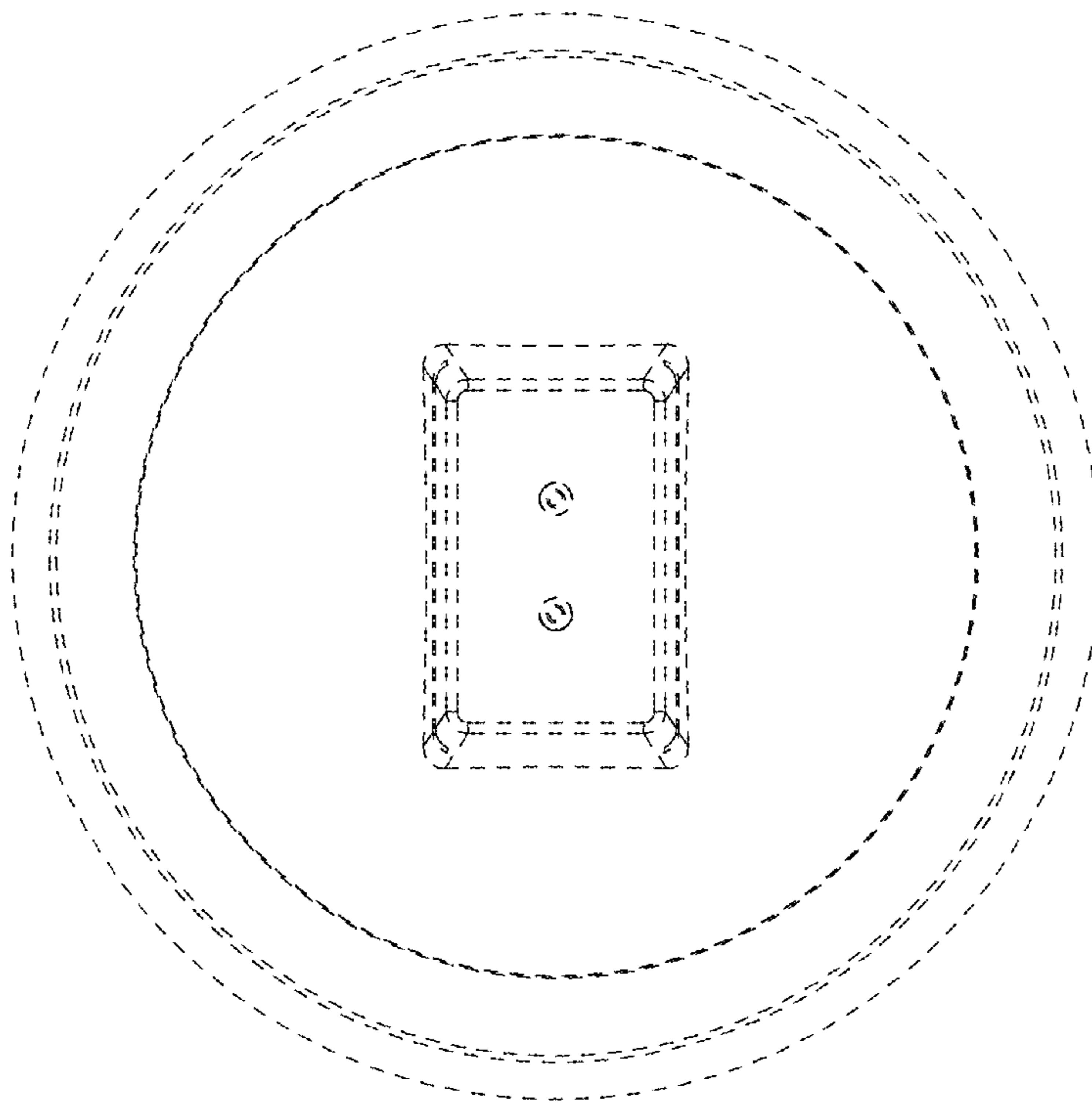


FIG. 4