



US00D791369S

(12) **United States Design Patent** (10) **Patent No.:** **US D791,369 S**  
**Zhang et al.** (45) **Date of Patent:** **\*\* Jul. 4, 2017**

(54) **PORTION OF A LED LAMP**

(71) Applicant: **GE Lighting Solutions, LLC**, East Cleveland, OH (US)  
 (72) Inventors: **Wenjiang Zhang**, Shanghai (CN); **Ruojian Zhu**, Shanghai (CN); **Yuqing Han**, Shanghai (CN)  
 (73) Assignee: **GE LIGHTING SOLUTIONS, LLC**, East Cleveland, OH (US)  
 (\*\*) Term: **15 Years**  
 (21) Appl. No.: **29/564,547**  
 (22) Filed: **May 13, 2016**  
 (30) **Foreign Application Priority Data**

Nov. 17, 2015 (CN) ..... 2015 3 0460092

(51) **LOC (10) Cl.** ..... **26-04**

(52) **U.S. Cl.**  
USPC ..... **D26/2**

(58) **Field of Classification Search**  
 USPC ..... D26/1-4; 313/313, 315, 316, 317, 318, 313/493; 315/52, 53, 56, 57, 58  
 CPC ..... H01R 5/00; H01R 13/46; H01R 13/514; H01R 31/048; H01R 31/02; H01J 5/00; H01J 5/16; H01J 15/00; H01J 5/48; H01J 5/50; H01J 19/54; F21V 5/00

See application file for complete search history.

(56) **References Cited**

U.S. PATENT DOCUMENTS

D592,766 S *	5/2009	Zhu	.....	D26/2
D607,587 S *	1/2010	Ko	.....	D26/2
D610,275 S *	2/2010	Cho	.....	D26/2
D613,433 S *	4/2010	Moon	.....	D26/2
D687,985 S *	8/2013	Tu	.....	D26/2

\* cited by examiner

*Primary Examiner* — Marcus Jackson

(74) *Attorney, Agent, or Firm* — GE Global Patent Operation; Peter T. DiMauro

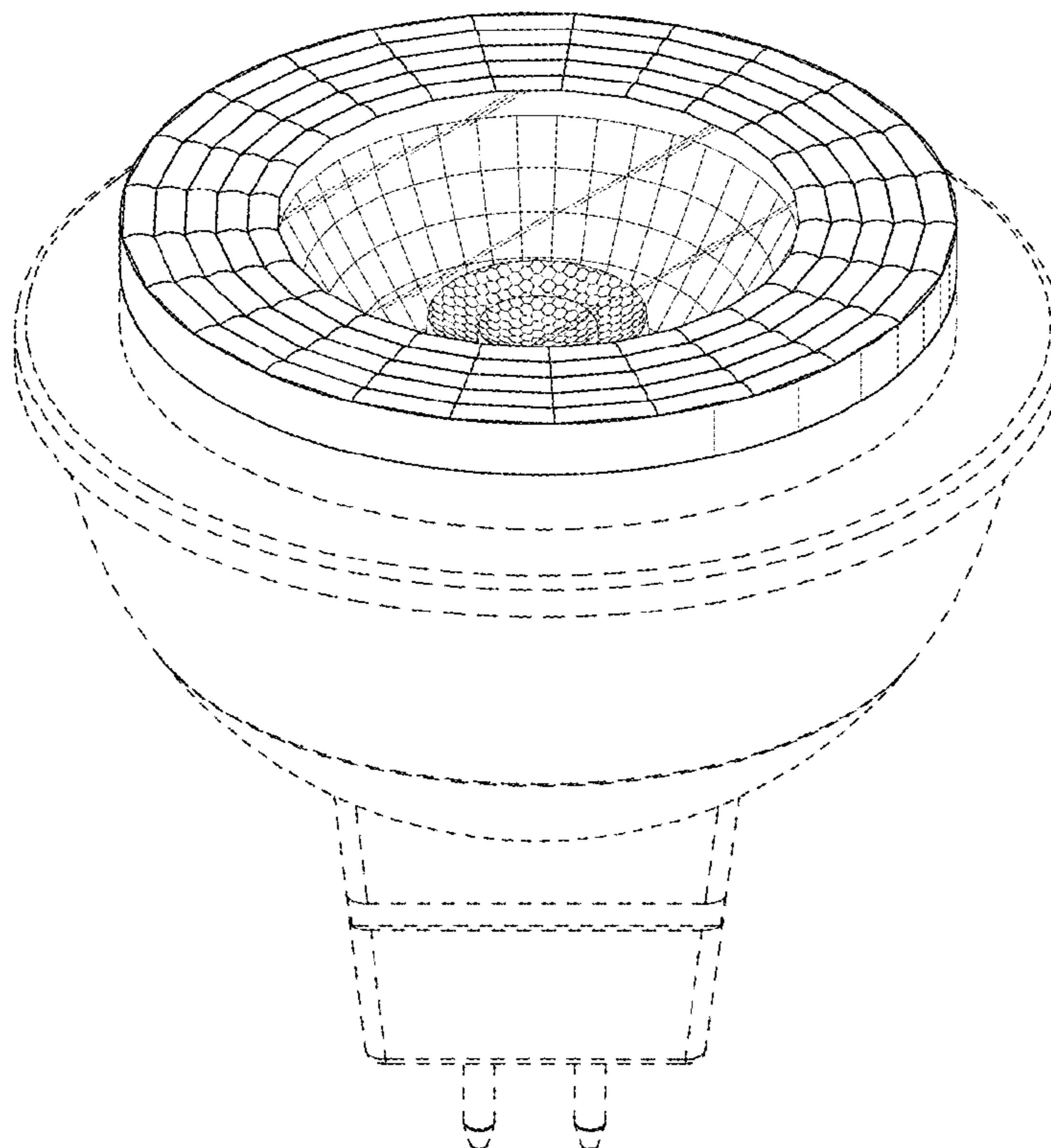
(57) **CLAIM**

The ornamental design for an portion of a LED lamp, as shown and described.

**DESCRIPTION**

FIG. 1 is a perspective view of a portion of a LED lamp in accordance with the present design;  
 FIG. 2 is a side view thereof;  
 FIG. 3 is a top plan view thereof; and,  
 FIG. 4 is a bottom plan view thereof.  
 The broken lines are for illustrative purposes only and form no part of the claimed design. Any shading forms no part of the claimed design and is provided to illustrate contour only and is not an indication of texture, gloss, and the like.

**1 Claim, 4 Drawing Sheets**



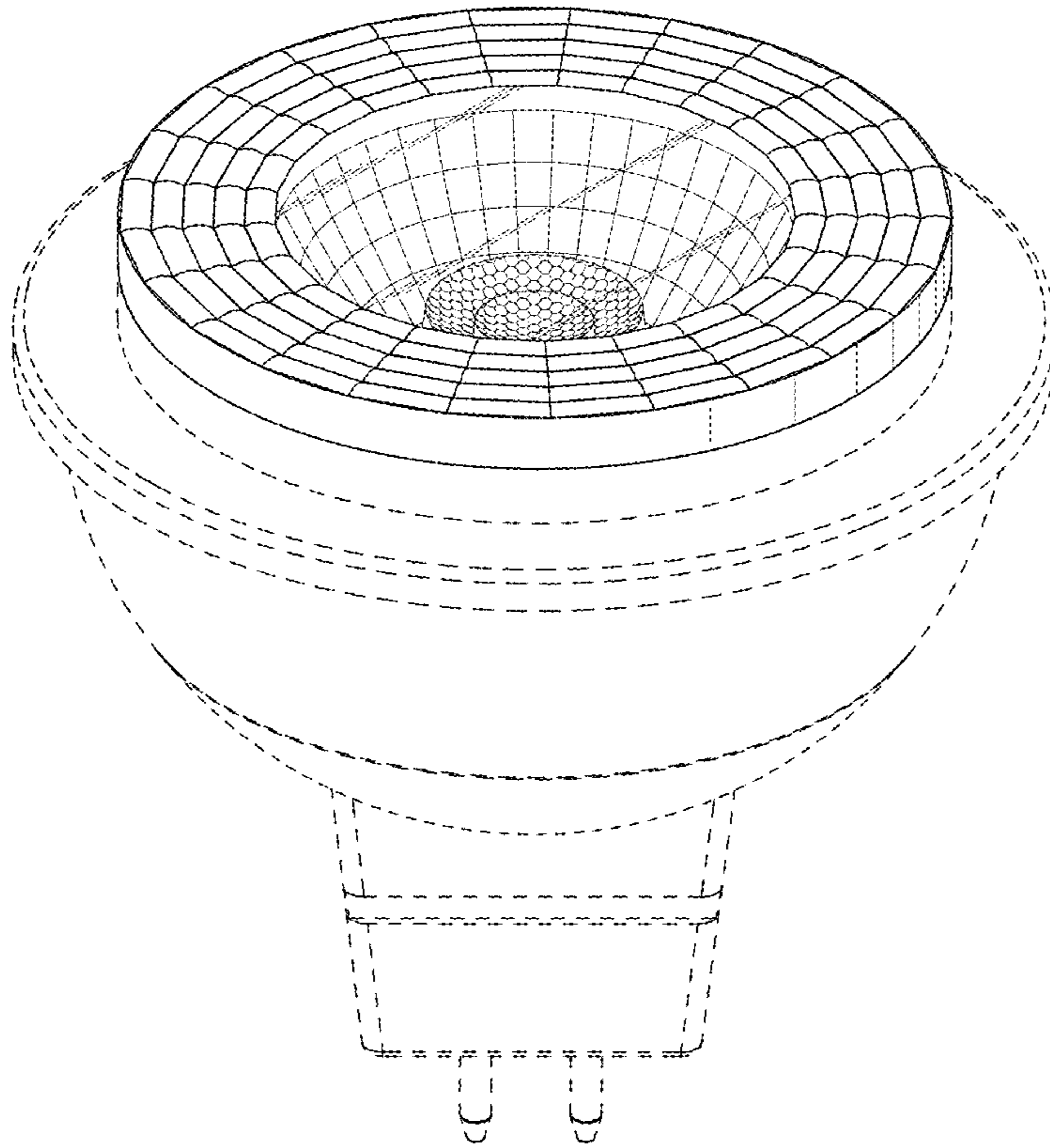


FIG. 1

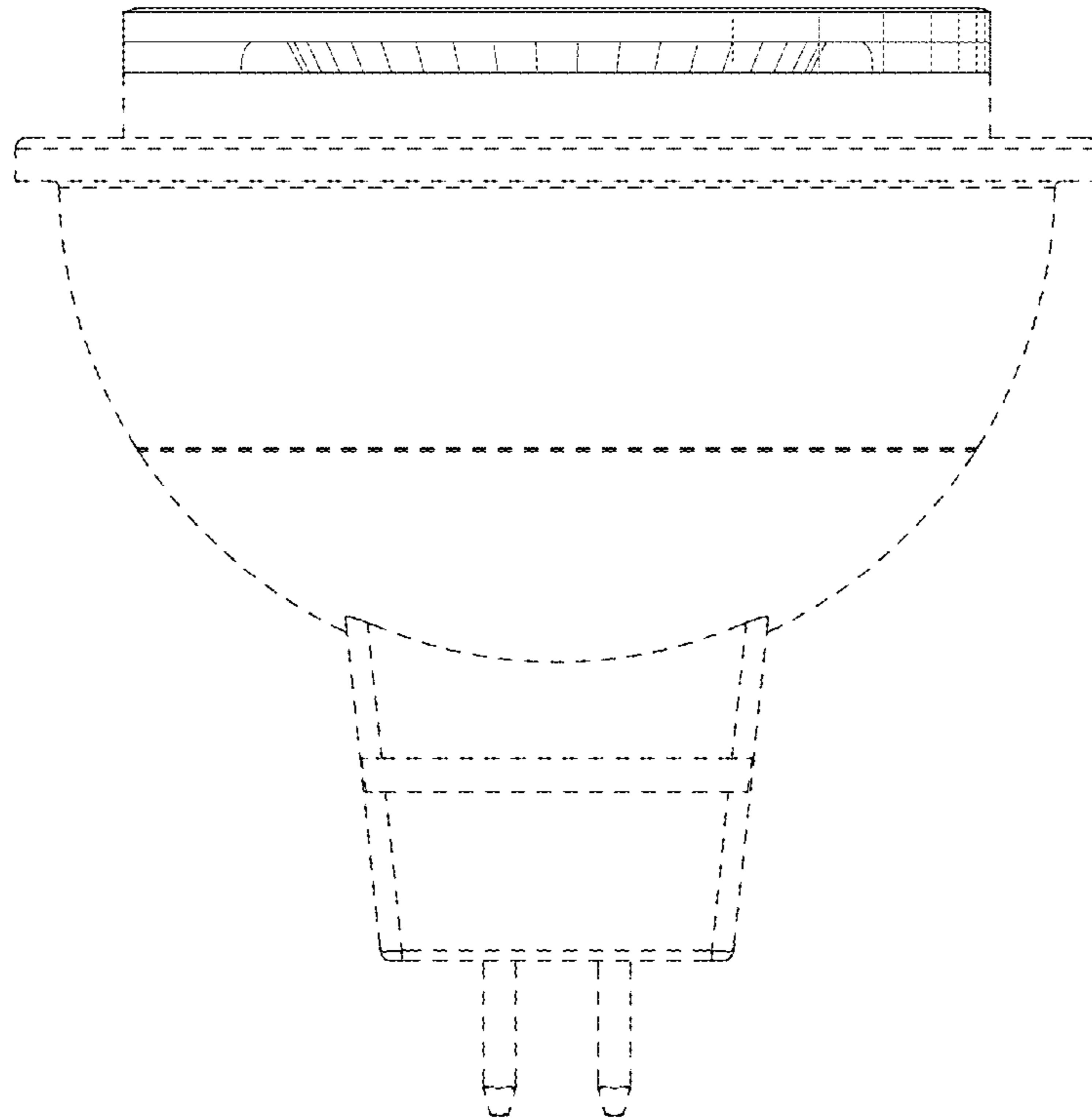


FIG. 2

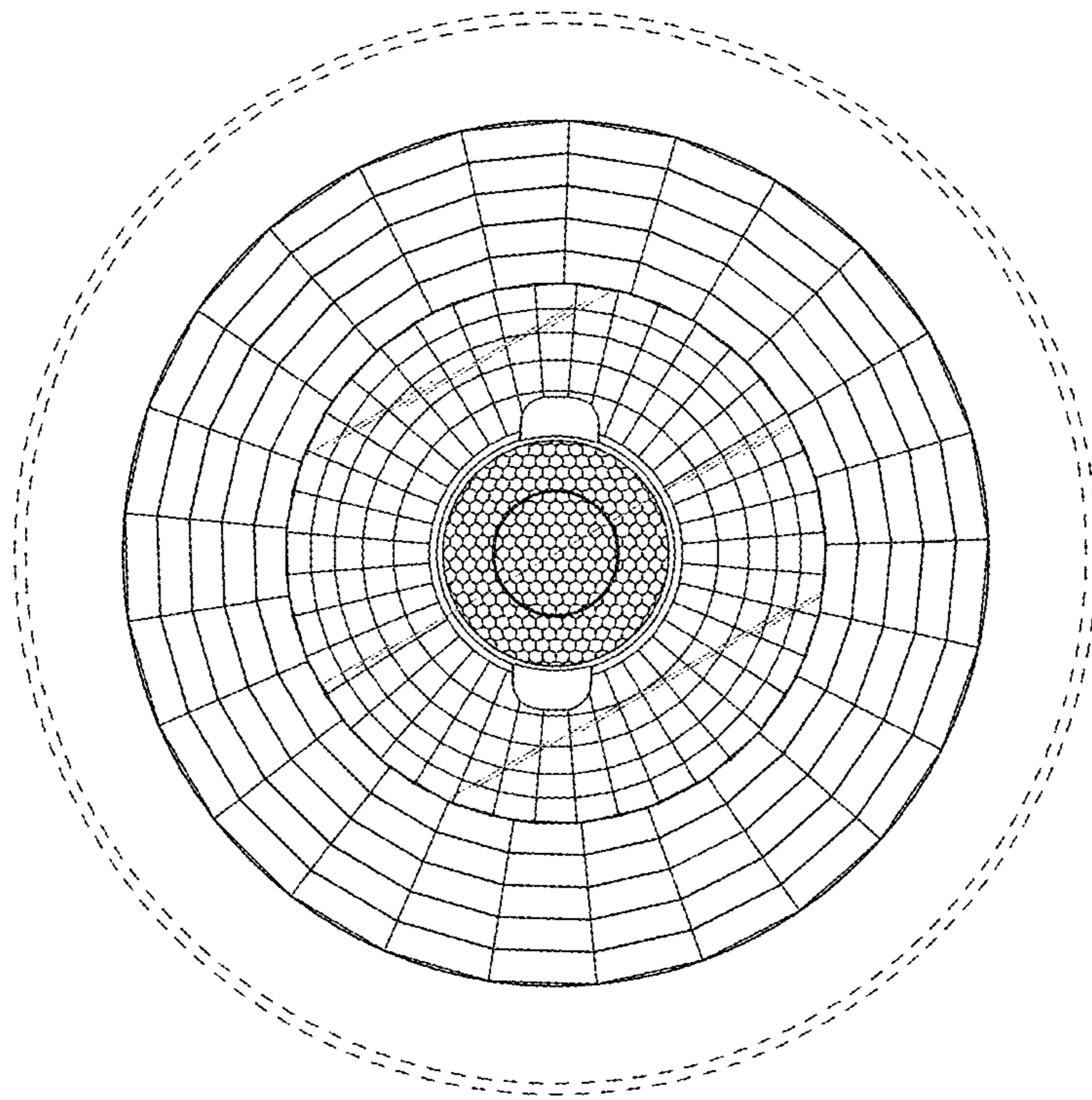


FIG. 3

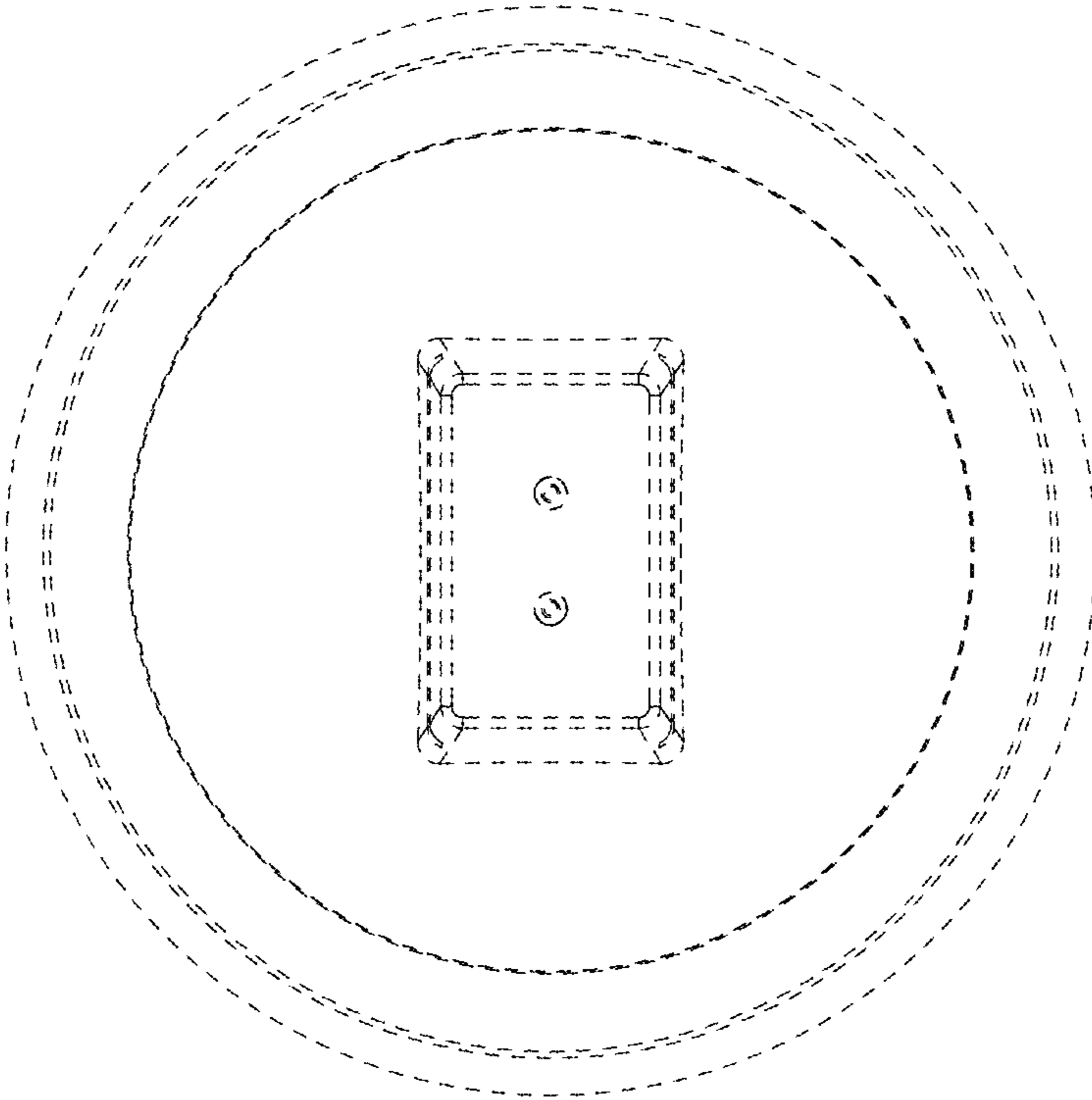


FIG. 4