



US00D791368S

(12) **United States Design Patent** (10) **Patent No.:** **US D791,368 S**
Lee et al. (45) **Date of Patent:** **** Jul. 4, 2017**

(54) **LED LAMP FOR CEILING WITH A PROJECTOR**

(71) Applicant: **LG ELECTRONICS INC.**, Seoul (KR)

(72) Inventors: **Hophil Lee**, Seoul (KR); **Kyoungjoung Kim**, Seoul (KR); **Jaoboem Im**, Seoul (KR)

(73) Assignee: **LG ELECTRONICS INC.**, Seoul (KR)

(**) Term: **15 Years**

(21) Appl. No.: **29/557,382**

(22) Filed: **Mar. 8, 2016**

(30) **Foreign Application Priority Data**

Sep. 10, 2015 (KR) 30-2015-0046028

(51) **LOC (10) Cl.** **26-04**

(52) **U.S. Cl.**
USPC **D26/2; D16/235**

(58) **Field of Classification Search**
USPC D26/1-4; 313/313, 315, 316, 317, 318, 313/493; 315/52, 53, 56, 57, 58; D16/235
CPC H01J 5/00; H01J 5/16; H01J 1/02; H01J 15/00; H01J 5/48; H01J 5/50; H01J 19/54; F21V 5/00; F21K 9/13; F21K 9/135; F21K 9/1375

See application file for complete search history.

(56) **References Cited**

U.S. PATENT DOCUMENTS

D175,503 S *	9/1955	Gottschalk et al.	D16/134
D302,860 S *	8/1989	Anema	D26/2
D379,537 S *	5/1997	Gallant	D26/2
D528,673 S *	9/2006	Maxik	D26/2
D736,724 S *	8/2015	Shum	D13/179
D740,877 S *	10/2015	Yuyama	D16/235

* cited by examiner

Primary Examiner — Marcus Jackson

(74) *Attorney, Agent, or Firm* — Dentons US LLP

(57) **CLAIM**

The ornamental design for a LED lamp for ceiling with a projector, as shown and described.

DESCRIPTION

FIG. 1 is a front, right side, perspective view of a LED lamp for ceiling with a projector showing our new design;
FIG. 2 is a front view thereof;
FIG. 3 is a rear view thereof;
FIG. 4 is a left side view thereof;
FIG. 5 is a right side view thereof;
FIG. 6 is a top view thereof;
FIG. 7 is a bottom view thereof; and,
FIG. 8 is a left side view thereof rotated head lamp unit.

1 Claim, 7 Drawing Sheets

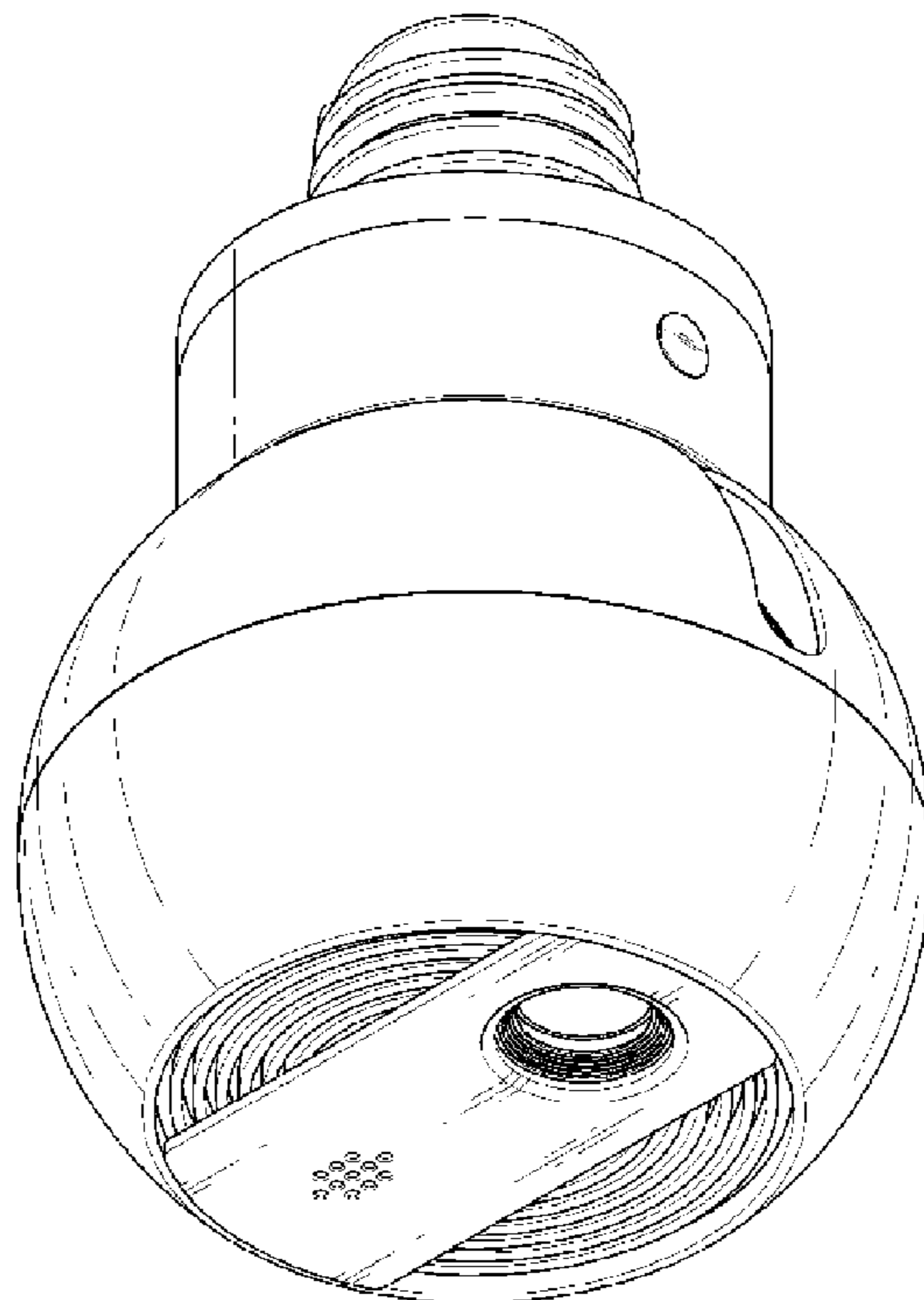


FIG. 1

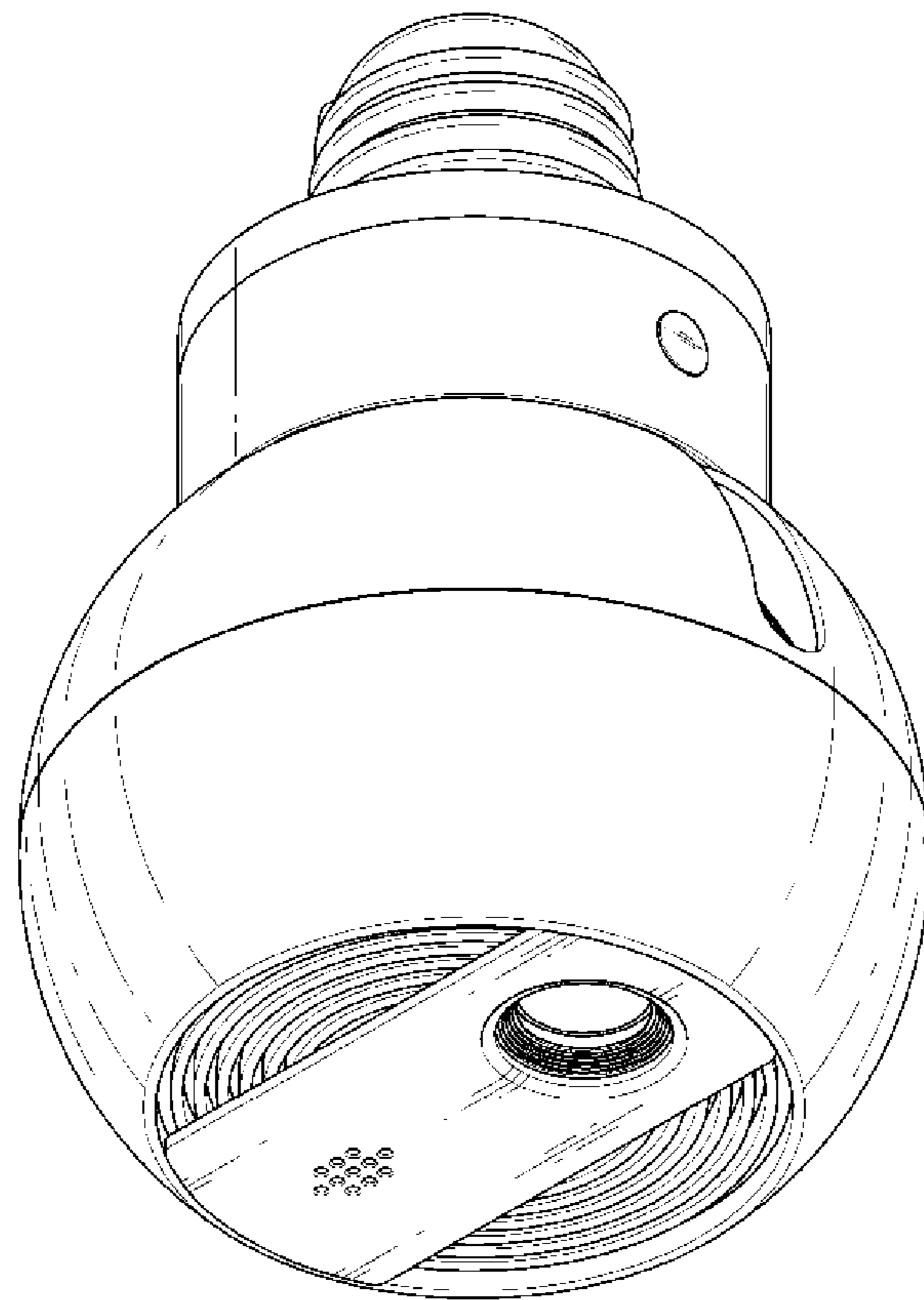


FIG. 2

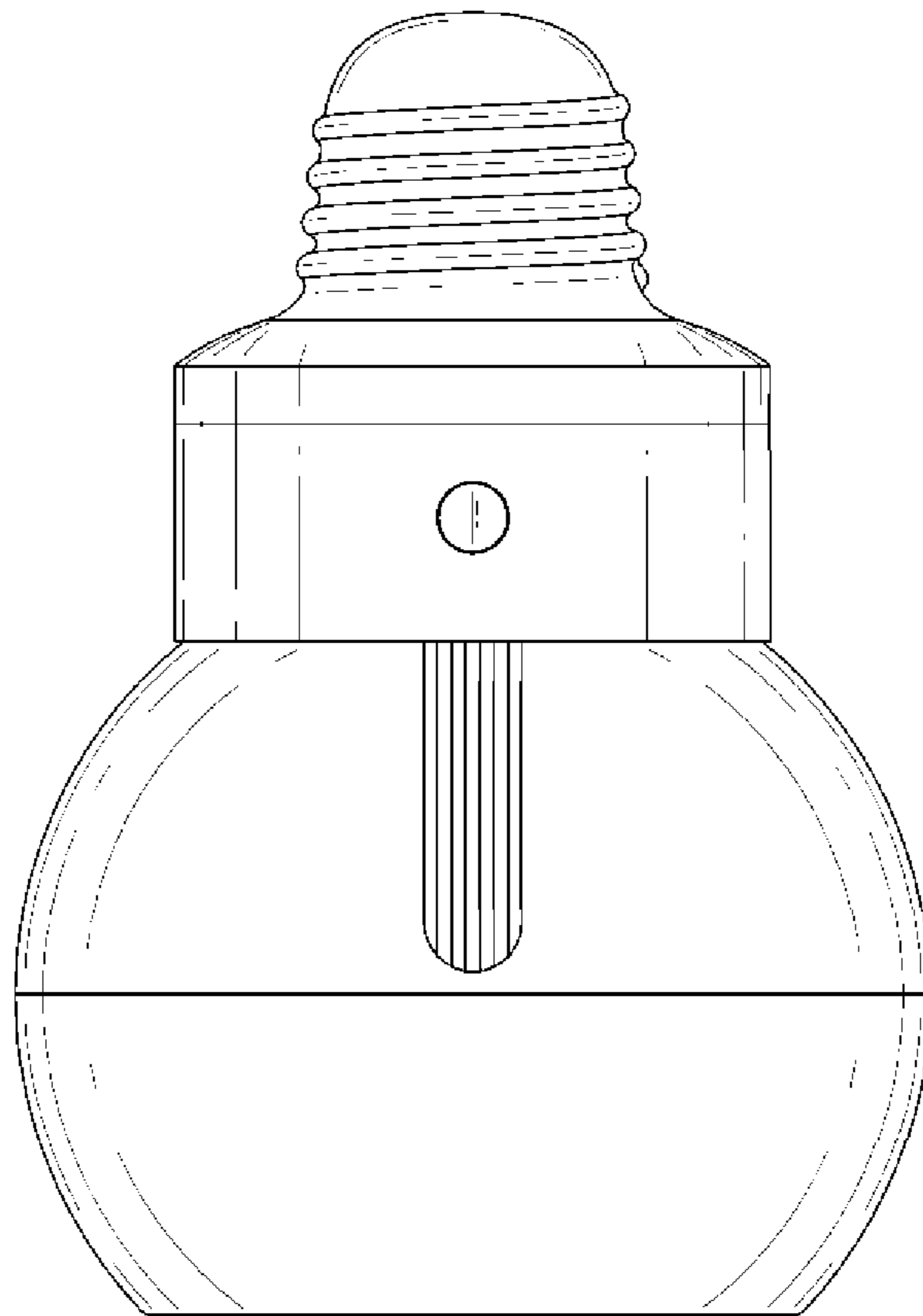


FIG. 3

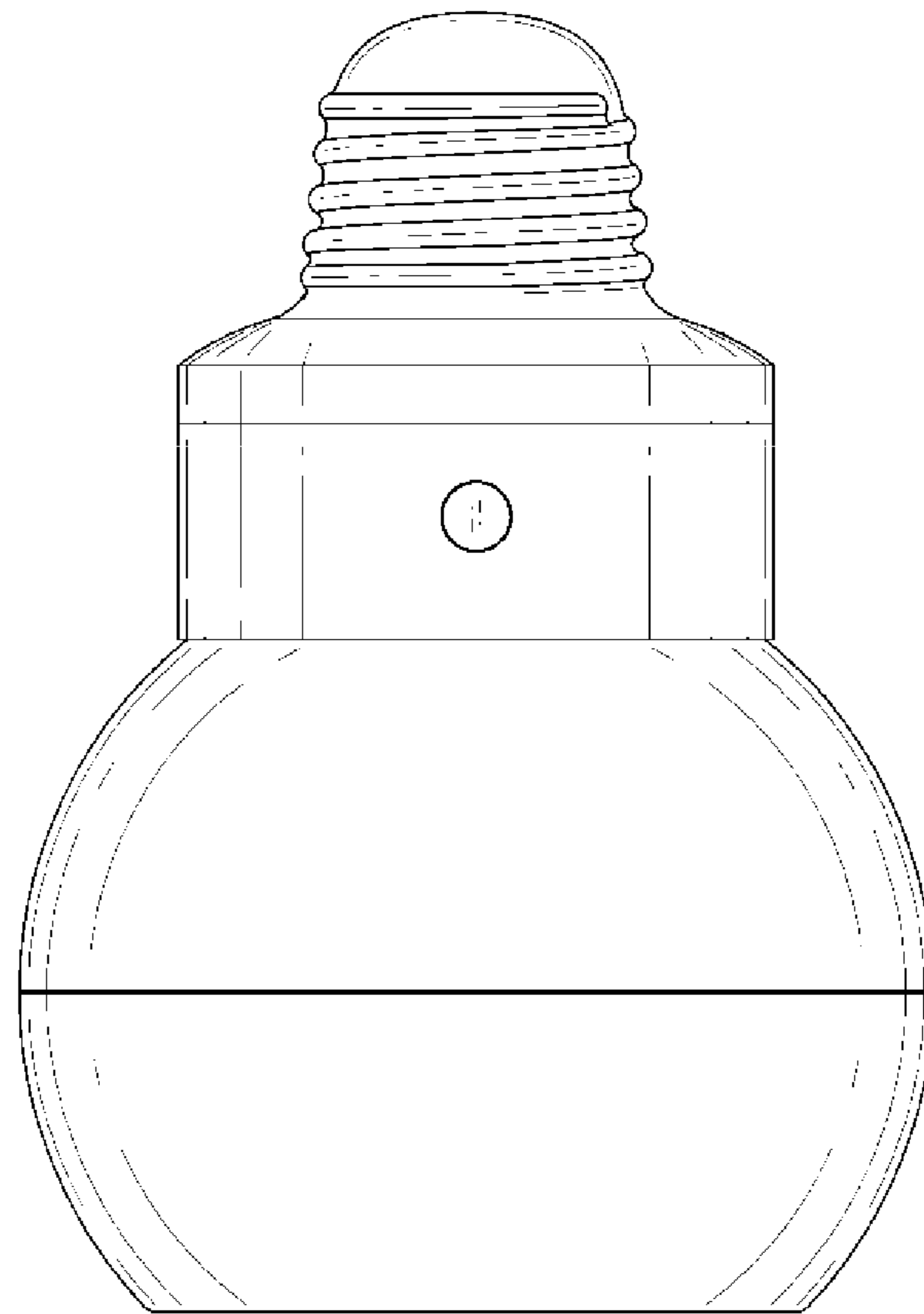


FIG. 4

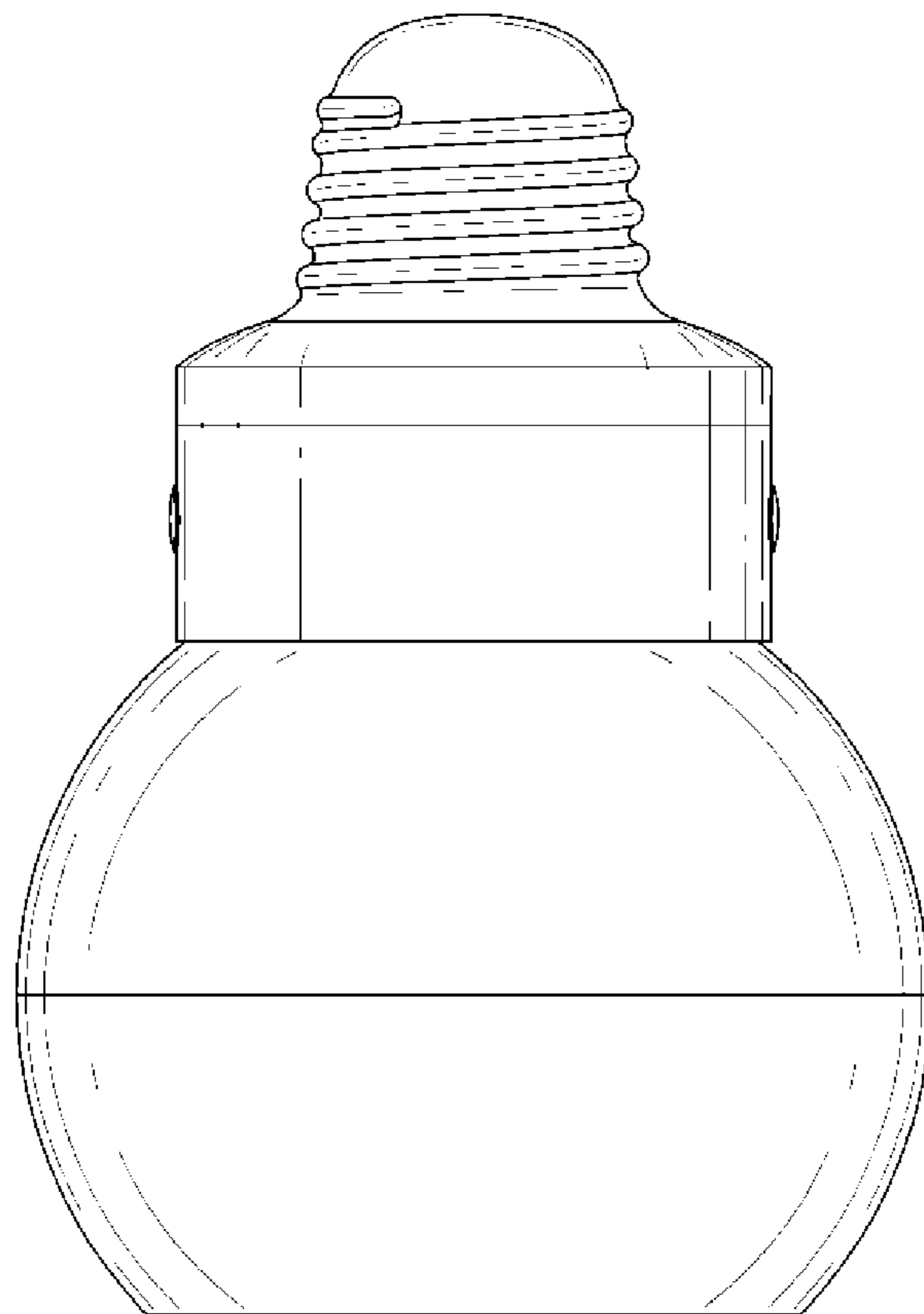


FIG. 5

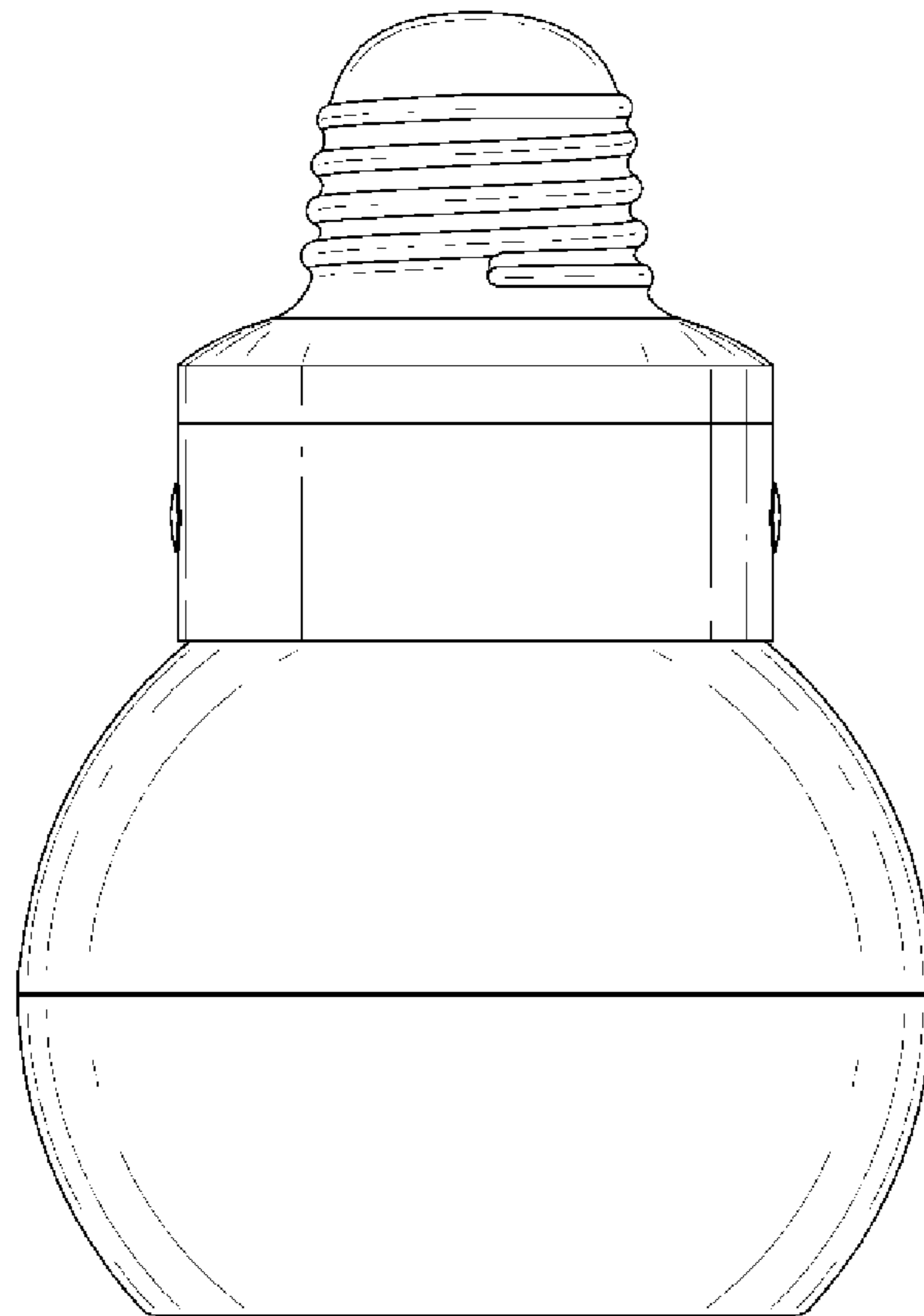


FIG. 6

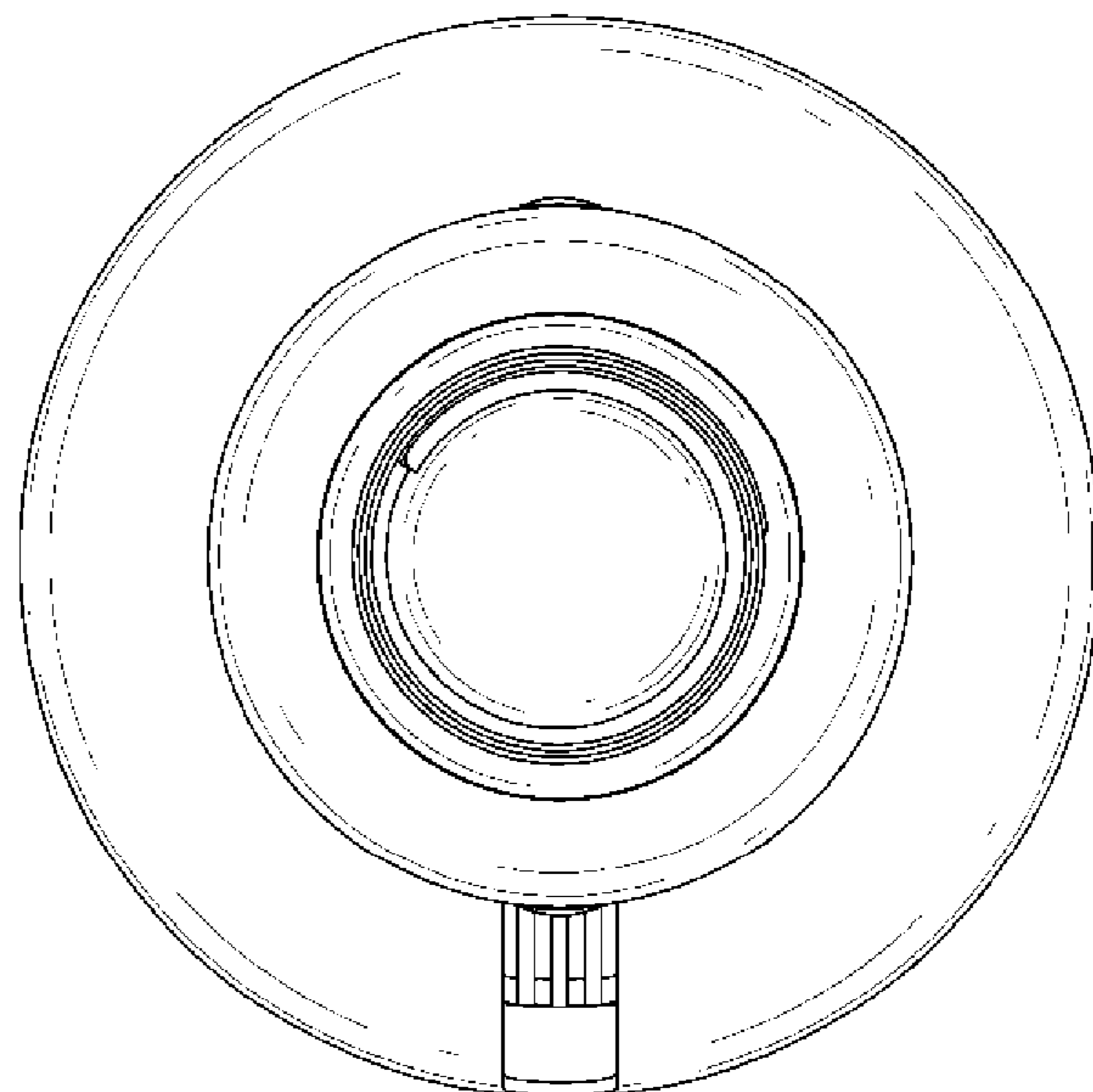


FIG. 7

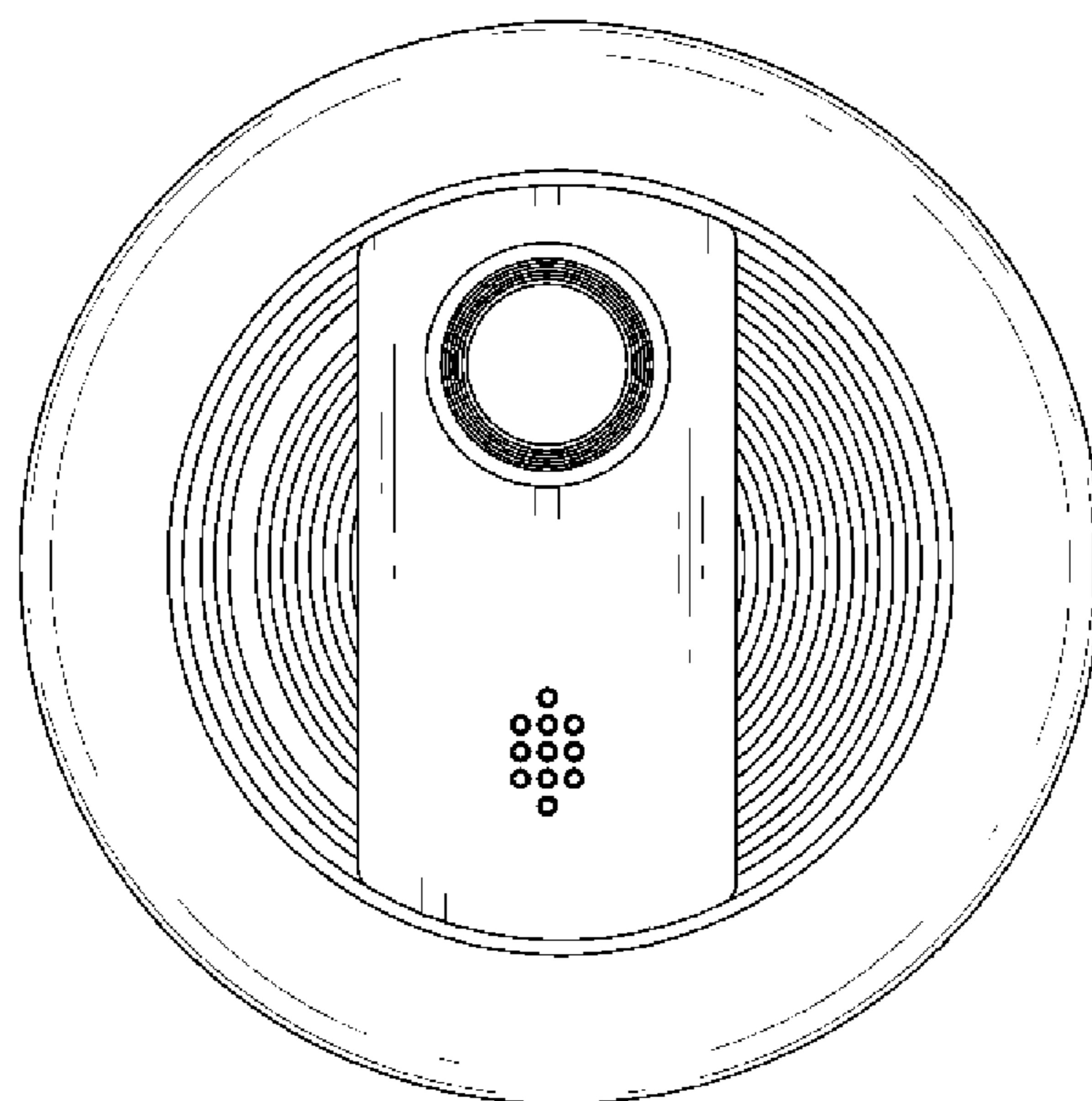


FIG. 8

