



US00D791365S

(12) **United States Design Patent** (10) **Patent No.:** **US D791,365 S**  
**Feit** (45) **Date of Patent:** **\*\* Jul. 4, 2017**

(54) **LIGHT EMITTING DIODE LAMP**  
(71) Applicant: **Feit Electric Company, Inc.**, Pico Rivera, CA (US)  
(72) Inventor: **Alan Barry Feit**, Encino, CA (US)  
(73) Assignee: **Feit Electric Company, Inc.**, Pico Rivera, CA (US)  
(\*\*) Term: **14 Years**  
(21) Appl. No.: **29/519,247**  
(22) Filed: **Mar. 3, 2015**  
(51) **LOC (10) Cl.** ..... **26-04**  
(52) **U.S. Cl.**  
USPC ..... **D26/2**  
(58) **Field of Classification Search**  
USPC ..... D26/1-4; 313/313, 315, 316, 317, 318, 313/493; 315/52, 53, 56, 57, 58  
CPC ..... F21V 29/00  
See application file for complete search history.

D736,967 S \* 8/2015 Auernhammer ..... D26/2  
D742,039 S \* 10/2015 Yu ..... D26/2  
D745,981 S \* 12/2015 Goscha ..... D26/2  
D745,982 S \* 12/2015 Goscha ..... D26/2  
D746,490 S \* 12/2015 Goscha ..... D26/2  
D757,963 S \* 5/2016 Auernhammer ..... D26/2  
D762,886 S \* 8/2016 Zhang ..... D26/2  
D769,475 S \* 10/2016 Moon ..... D26/2  
D775,745 S \* 1/2017 Zolotykh ..... D26/2  
D775,746 S \* 1/2017 Zolotykh ..... D26/2  
2014/0368109 A1\* 12/2014 Goscha ..... H01J 61/28 315/34

\* cited by examiner

*Primary Examiner* — Lakiya Rogers  
*Assistant Examiner* — Harold E Blackwell, II  
(74) *Attorney, Agent, or Firm* — Alston & Bird LLP

(57) **CLAIM**

The ornamental design for a light emitting diode lamp, as shown and described.

**DESCRIPTION**

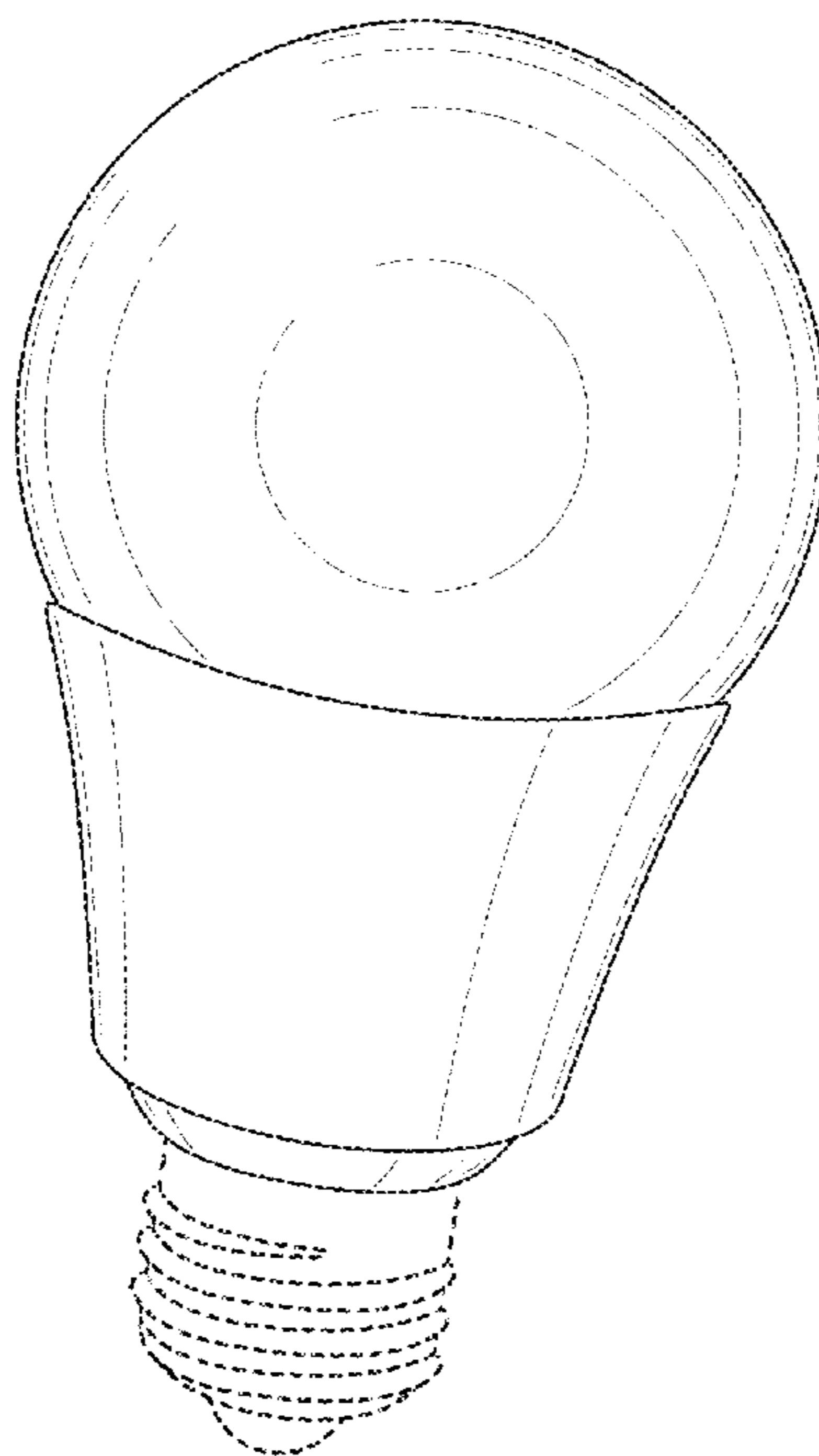
FIG. 1 is a perspective view of an light emitting diode lamp; FIG. 2 is a front view of the light emitting diode lamp shown in FIG. 1; FIG. 3 is a top view of the light emitting diode lamp shown in FIG. 1; and, FIG. 4 is a bottom view of the light emitting diode lamp shown in FIG. 1. The broken lines in the drawings illustrate portions of the light emitting diode lamp, which form no part of the claimed design.

(56) **References Cited**

U.S. PATENT DOCUMENTS

D506,840 S \* 6/2005 Van de Ven ..... D26/2  
D648,463 S \* 11/2011 Kim ..... D26/2  
D648,874 S \* 11/2011 Kim ..... D26/2  
D648,875 S \* 11/2011 Kim ..... D26/2  
D652,543 S \* 1/2012 Kim ..... D26/2  
D715,465 S \* 10/2014 Hasuo ..... D26/2  
8,979,315 B2\* 3/2015 Osawa ..... F21V 3/00 313/51

**1 Claim, 4 Drawing Sheets**



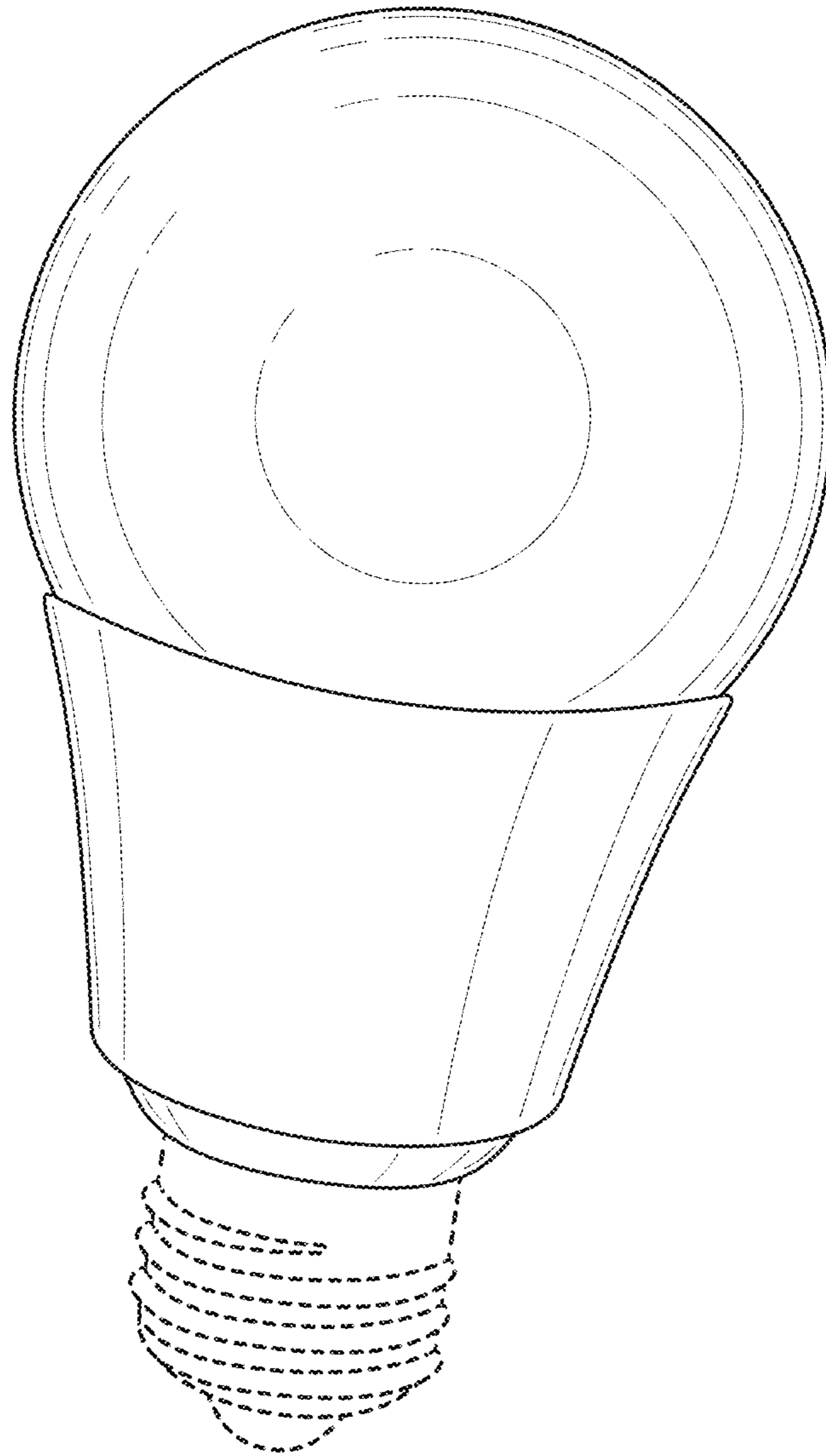


FIG. 1

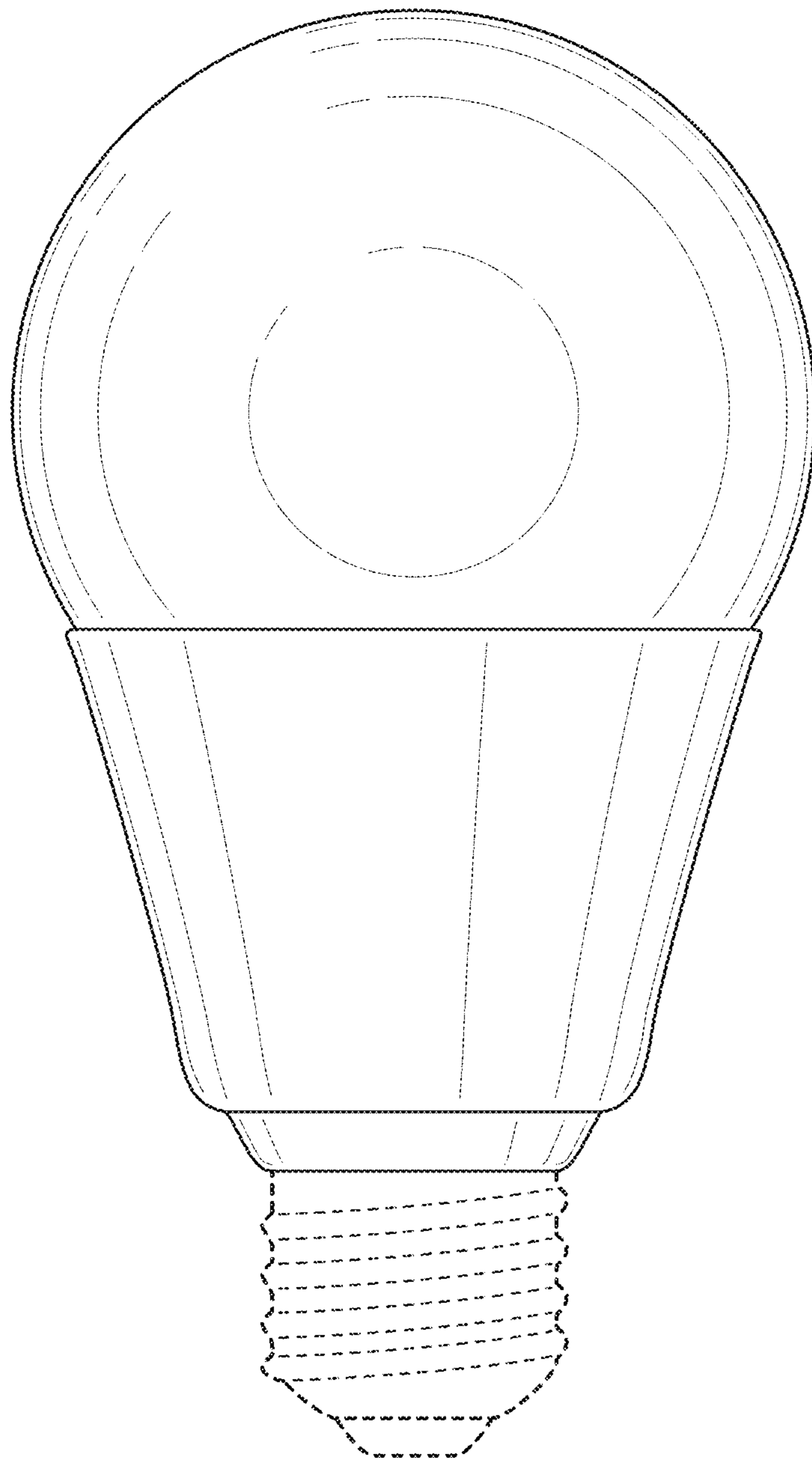


FIG. 2

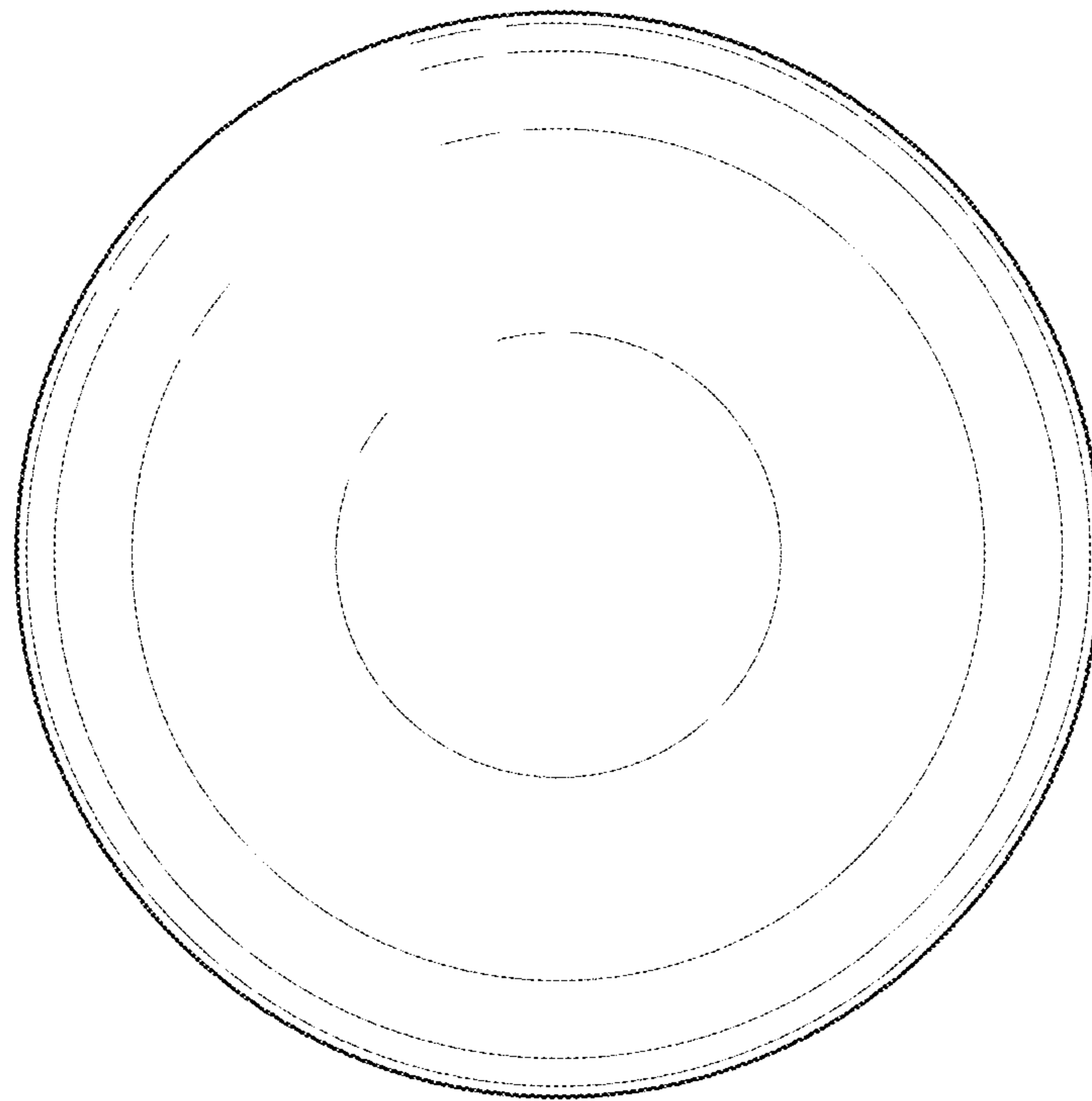


FIG. 3

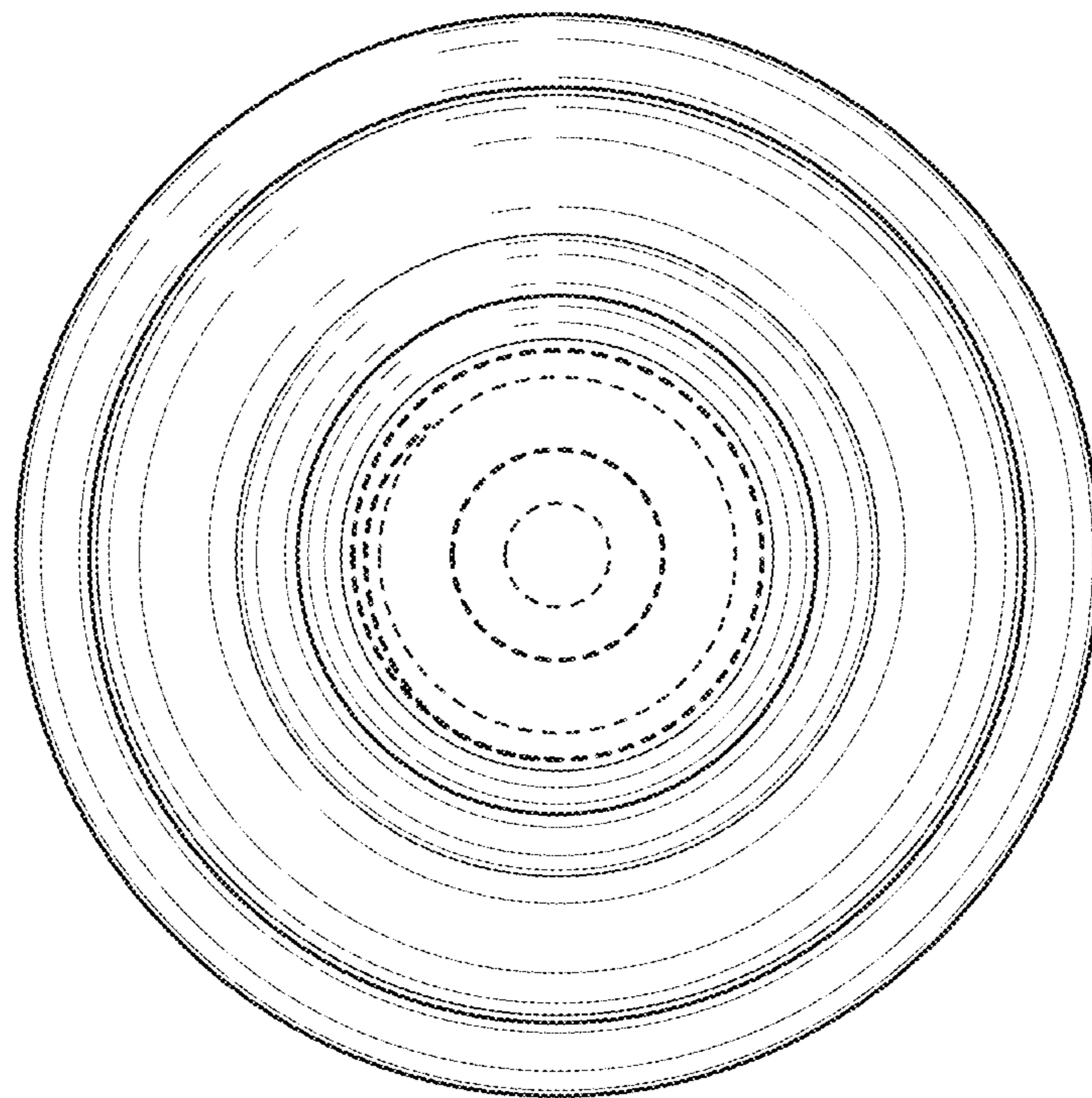


FIG. 4