



US00D791359S

(12) **United States Design Patent**
Singh

(10) **Patent No.:** **US D791,359 S**

(45) **Date of Patent:** **** Jul. 4, 2017**

- (54) **TRIM REVEAL EXTRUSION**
- (71) Applicant: **Joshua George Singh**, Calgary (CA)
- (72) Inventor: **Joshua George Singh**, Calgary (CA)
- (**) Term: **15 Years**
- (21) Appl. No.: **29/549,901**
- (22) Filed: **Dec. 29, 2015**
- (51) **LOC (10) Cl.** **25-01**
- (52) **U.S. Cl.**
USPC **D25/119**
- (58) **Field of Classification Search**
USPC D25/35, 38.1, 41.1, 42, 43, 44, 47.1,
D25/48.1, 48.4, 58, 119-123, 125, 136,
D25/137, 164, 199; 52/62, 169.5, 254,
52/255, 281, 282.1, 287.1, 288.1, 371,
52/459, 461, 465, 471, 472, 716.2, 706,
52/717.01; 160/368.1, 395; D8/349,
D8/354, 355, 366, 373, 377, 380, 381,
D8/403; D20/10, 43, 44
CPC E04F 2013/063; E04F 13/00; E04F 13/06;
E04F 15/142; E04F 19/02; E04F 19/0436;
E04F 19/0495; E04F 19/061; E04F 19/04;
B60R 13/04; B60R 13/0206; B60R 13/02;
A47B 95/00; A47B 96/201; E04C 2/08
See application file for complete search history.

- D313,858 S * 1/1991 Whitney D25/119
- D318,343 S * 7/1991 Miller D25/119
- 5,033,787 A * 7/1991 Takada B60J 7/123
160/395
- 5,039,246 A * 8/1991 Woodruff E06B 9/521
160/395
- D329,708 S * 9/1992 Valentin D25/125
- D340,110 S * 10/1993 Reed D25/119
- D344,595 S * 2/1994 Ehmke D25/119
- D379,299 S * 5/1997 Fitzgibbons D25/119
- D433,459 S * 11/2000 Balchin D20/44

* cited by examiner

Primary Examiner — Cynthia Ramirez
Assistant Examiner — Llorellys Martinez-Rivera
(74) *Attorney, Agent, or Firm* — Tai W. Nahm; Miller
Thomson LLP

(57) **CLAIM**

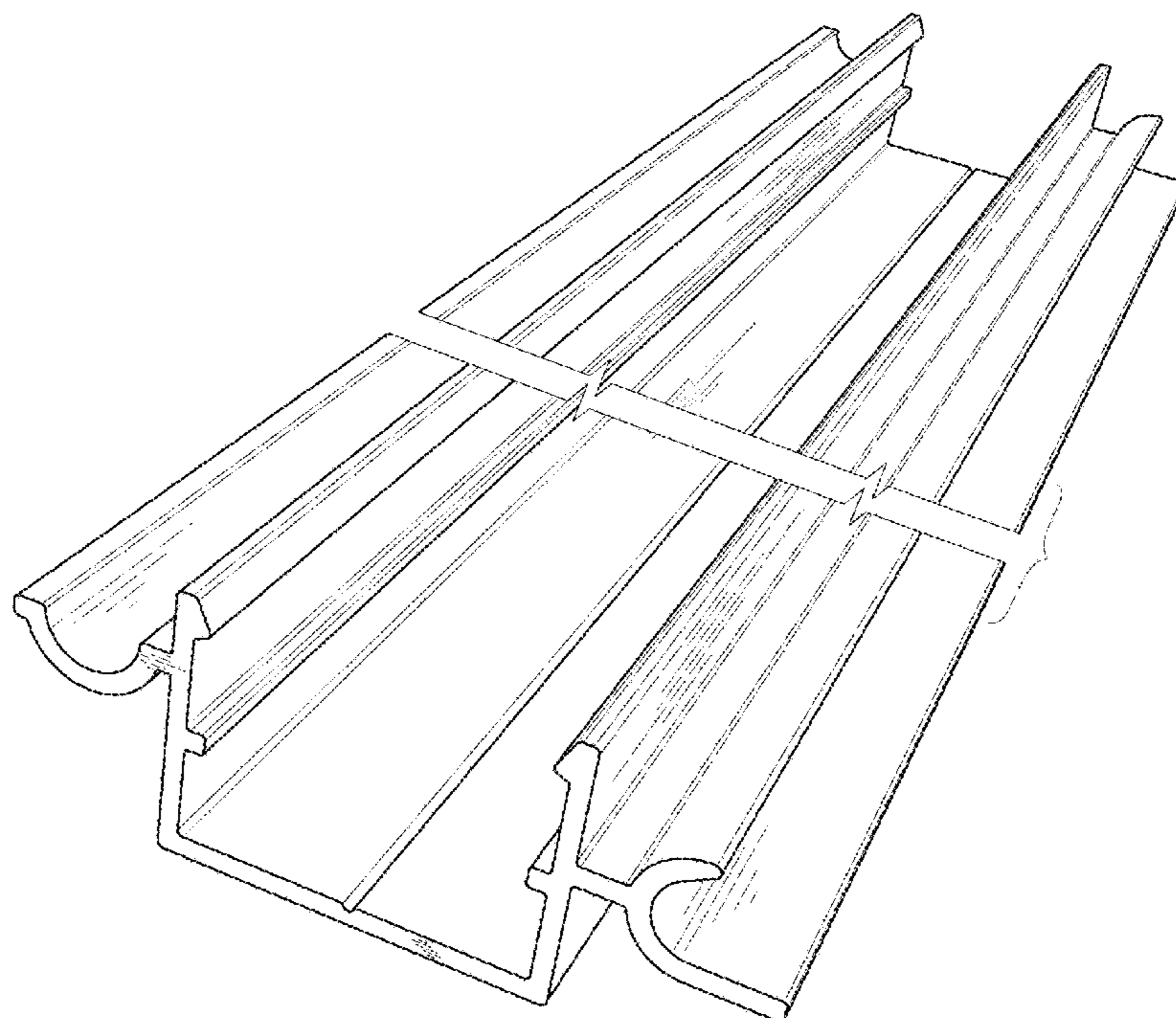
The ornamental design for a trim reveal extrusion, as shown and described.

DESCRIPTION

FIG. 1 is a perspective view of a trim reveal extrusion showing my new design.
FIG. 2 is a cross-sectional view thereof; and,
FIG. 3 is an end elevational view thereof, showing the trim reveal extrusion in an environment of use.
The broken lines are for environmental purposes only and form no part of the claimed design.
The trim reveal extrusion is shown with a symbolic break in its length. The appearance of any portion of the trim reveal extrusion between the jagged break lines form no part of the claimed design.

- (56) **References Cited**
U.S. PATENT DOCUMENTS
D270,188 S * 8/1983 Whitehouse D25/119
D300,256 S * 3/1989 Schmidt D25/119

1 Claim, 1 Drawing Sheet



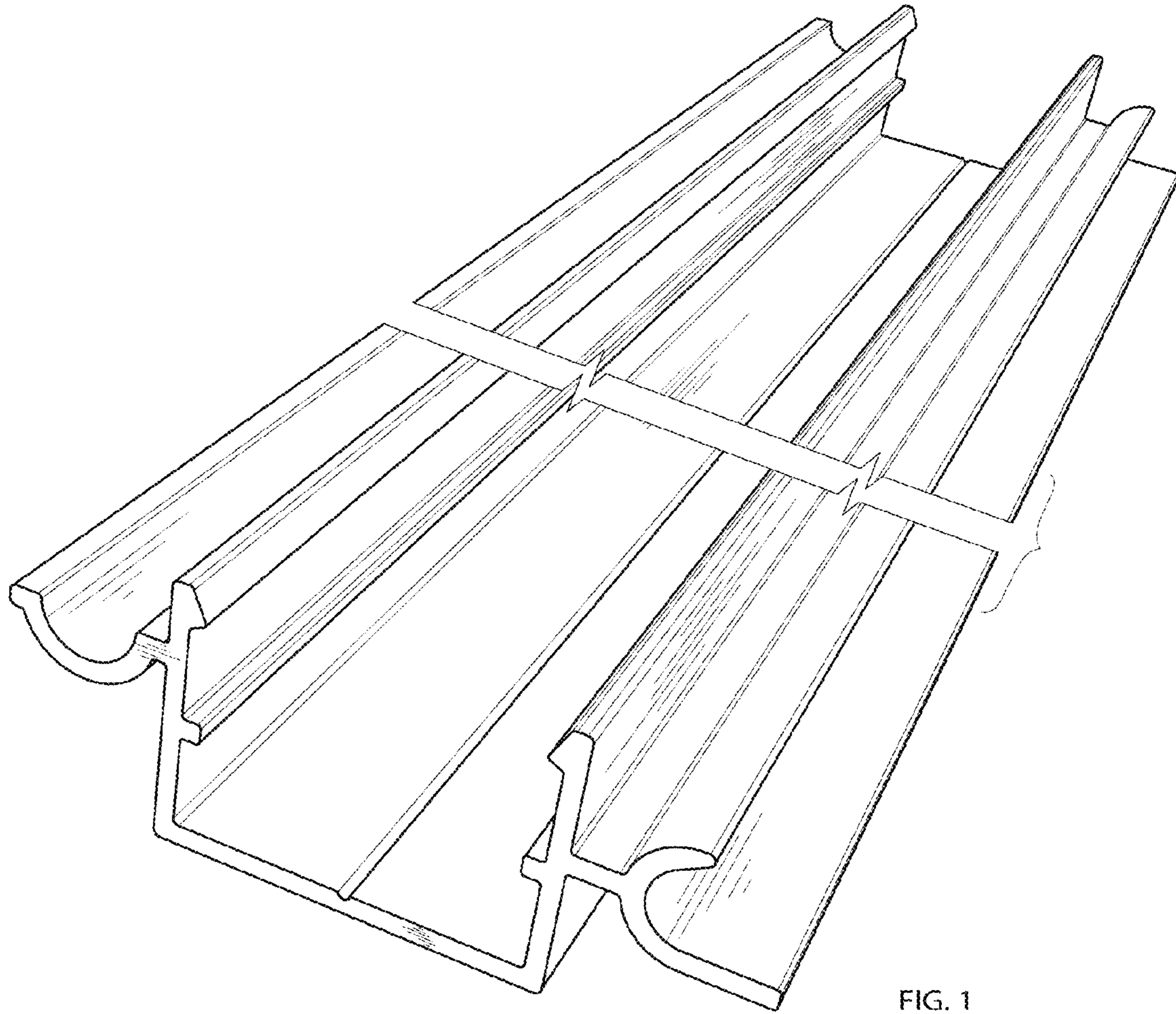


FIG. 1



FIG. 2

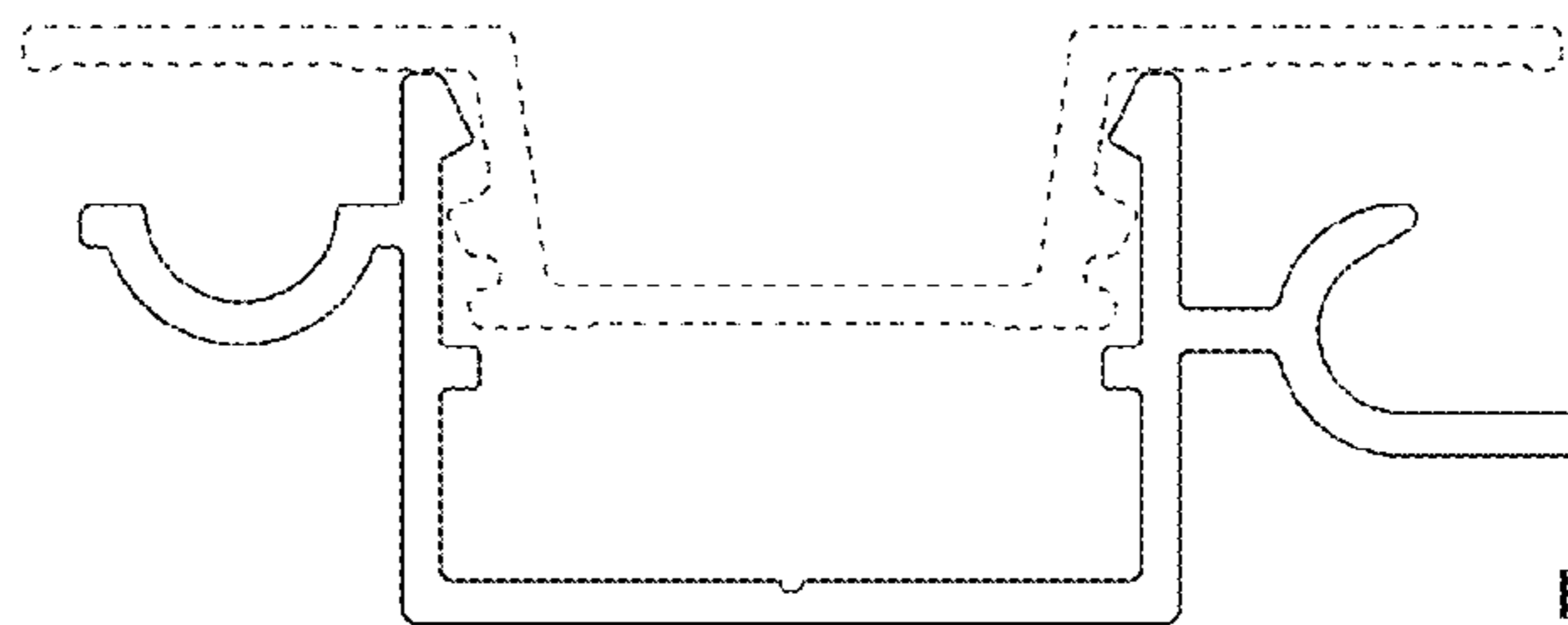


FIG. 3