



US00D791356S

(12) **United States Design Patent** (10) **Patent No.:** **US D791,356 S**
Singh (45) **Date of Patent:** **** Jul. 4, 2017**

(54) **TRIM REVEAL EXTRUSION**
(71) Applicant: **Joshua George Singh**, Calgary (CA)
(72) Inventor: **Joshua George Singh**, Calgary (CA)
(**) Term: **15 Years**
(21) Appl. No.: **29/549,791**
(22) Filed: **Dec. 28, 2015**
(51) **LOC (10) Cl.** **25-01**
(52) **U.S. Cl.**
USPC **D25/119**
(58) **Field of Classification Search**
USPC D25/35, 38.1, 41.1, 42, 43, 44, 47.1,
D25/48.1, 48.4, 58, 119-123, 125, 136,
D25/137, 164, 199; 52/62, 169.5, 254,
52/255, 281, 282.1, 287.1, 288.1, 371,
52/459, 461, 465, 471, 472, 716.2, 706,
52/717.01; 160/368.1, 395; D8/349,
D8/354, 355, 366, 373, 377, 380, 381,
D8/403; D20/10, 43, 44
CPC E04F 2013/063; E04F 13/00; E04F 13/06;
E04F 15/142; E04F 19/02; E04F 19/04;
E04F 19/0436; E04F 19/0495; E04F
19/061; B60R 13/04; B60R 13/0206;
B60R 13/02; A47B 95/00; A47B 96/04;
A47B 96/06; A47B 96/201; A47F 5/005;
E04C 2/08
See application file for complete search history.

(56) **References Cited**
U.S. PATENT DOCUMENTS
3,485,001 A * 12/1969 Miller E04F 19/064
52/281
D221,530 S * 8/1971 Kimmel D25/121
D246,887 S * 1/1978 Eckerline D25/123
5,960,598 A * 10/1999 Tamlyn E04F 13/0864
52/254

6,018,924 A * 2/2000 Tamlyn E04F 19/02
52/287.1
6,341,458 B1 * 1/2002 Burt E04F 19/061
52/287.1
D606,671 S * 12/2009 Southwell D25/122
D606,672 S * 12/2009 Southwell D25/122
D607,584 S * 1/2010 Ito D25/121
D614,779 S * 4/2010 Ito D25/121
D616,113 S * 5/2010 Budzik D25/121
D624,209 S * 9/2010 Antonic D25/121
D629,921 S * 12/2010 Southwell D25/121
D695,423 S * 12/2013 Krieger E04B 2/30
D25/121
D711,552 S * 8/2014 Singh D25/119
D711,553 S * 8/2014 Singh D25/119
D742,544 S * 11/2015 Singh D25/119
D742,545 S * 11/2015 Singh D25/119
D750,279 S * 2/2016 Singh D25/138

(Continued)

Primary Examiner — Cynthia Ramirez
Assistant Examiner — Llorellys Martinez-Rivera
(74) *Attorney, Agent, or Firm* — Tai W. Nahm; Miller
Thomson LLP

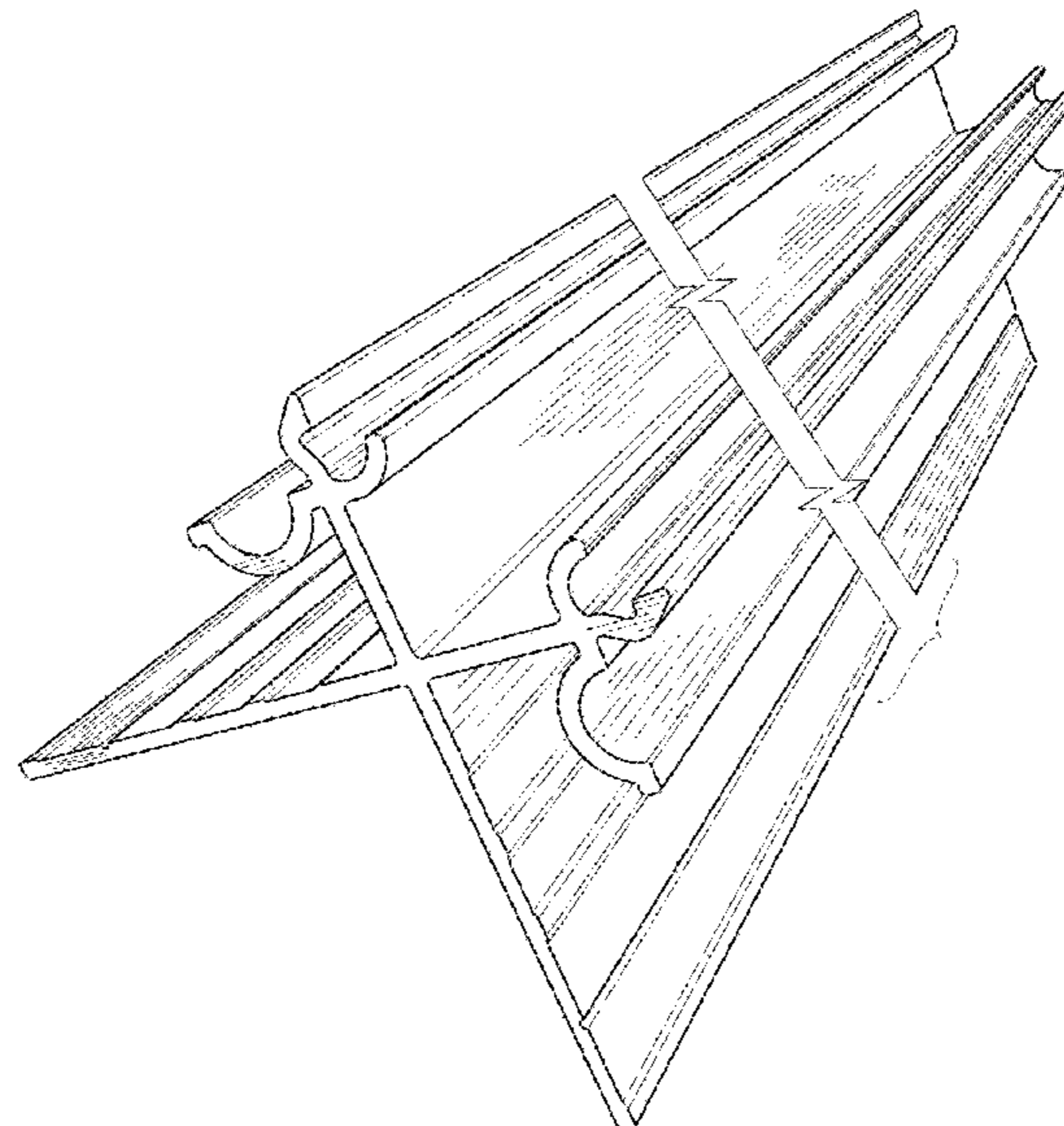
(57) **CLAIM**

The ornamental design for a trim reveal extrusion, as shown and described.

DESCRIPTION

FIG. 1 is a perspective view of a trim reveal extrusion showing my new design.
FIG. 2 is a cross-sectional view thereof; and,
FIG. 3 is an end elevational view thereof, showing the trim reveal extrusion in an environment of use.
The broken lines are for environmental purposes only and form no part of the claimed design.
The trim reveal extrusion is shown with a symbolic break in its length. The appearance of any portion of the trim reveal extrusion between the jagged break lines form no part of the claimed design.

1 Claim, 1 Drawing Sheet



(56)

References Cited

U.S. PATENT DOCUMENTS

D750,807 S * 3/2016 Singh D25/121
2012/0255249 A1 * 10/2012 Singh E04F 19/065
52/302.1

* cited by examiner

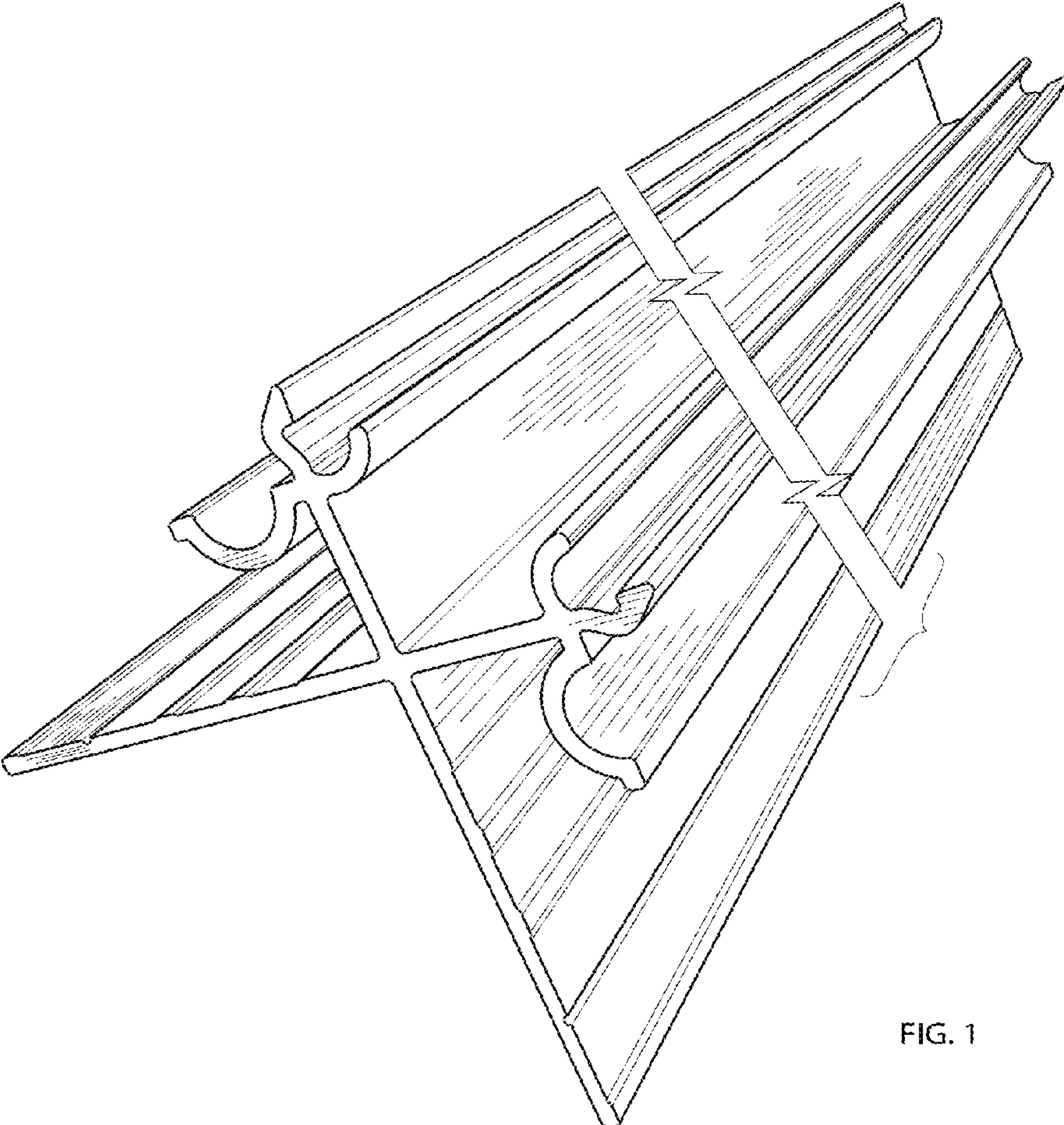


FIG. 1

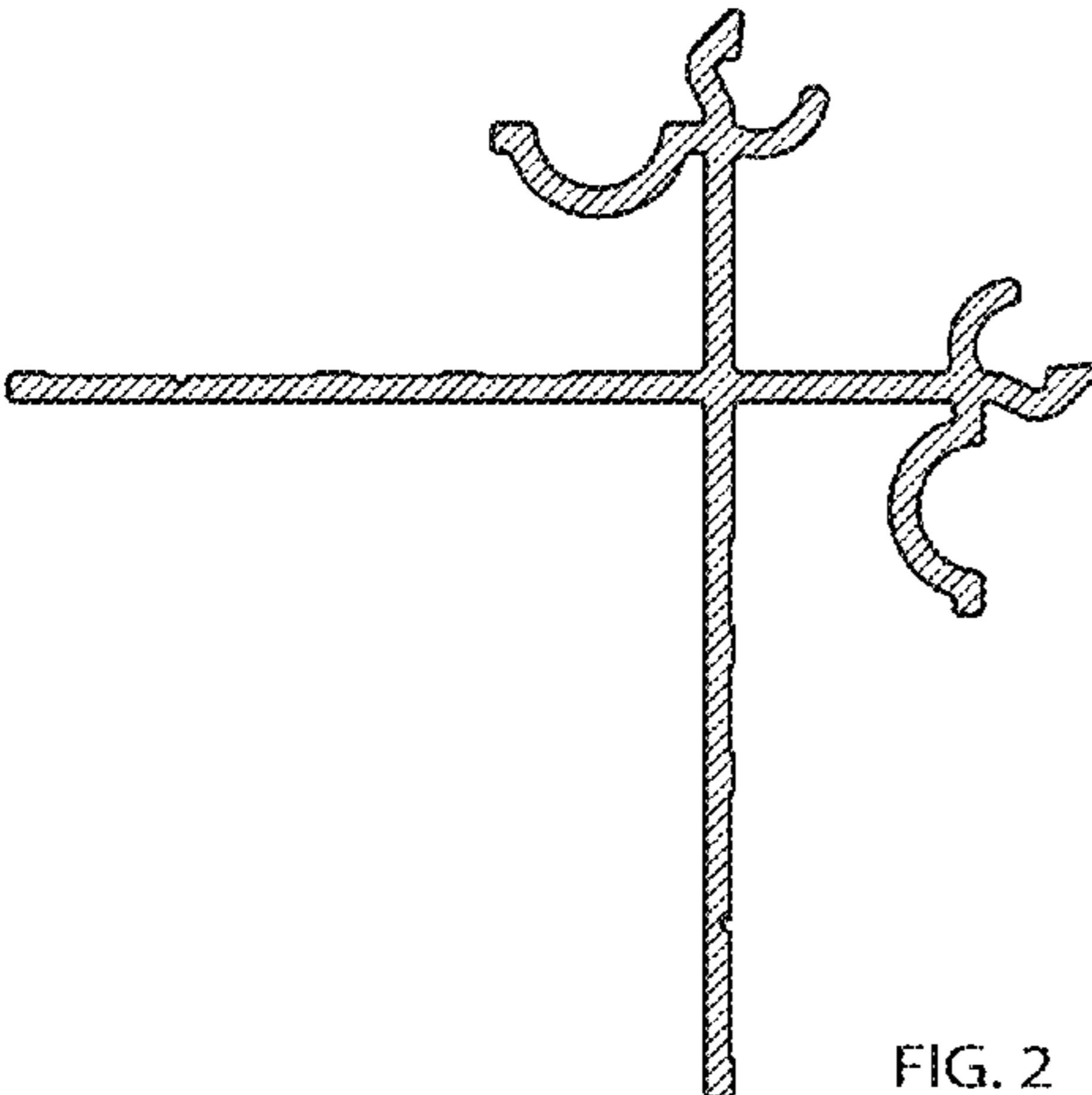


FIG. 2

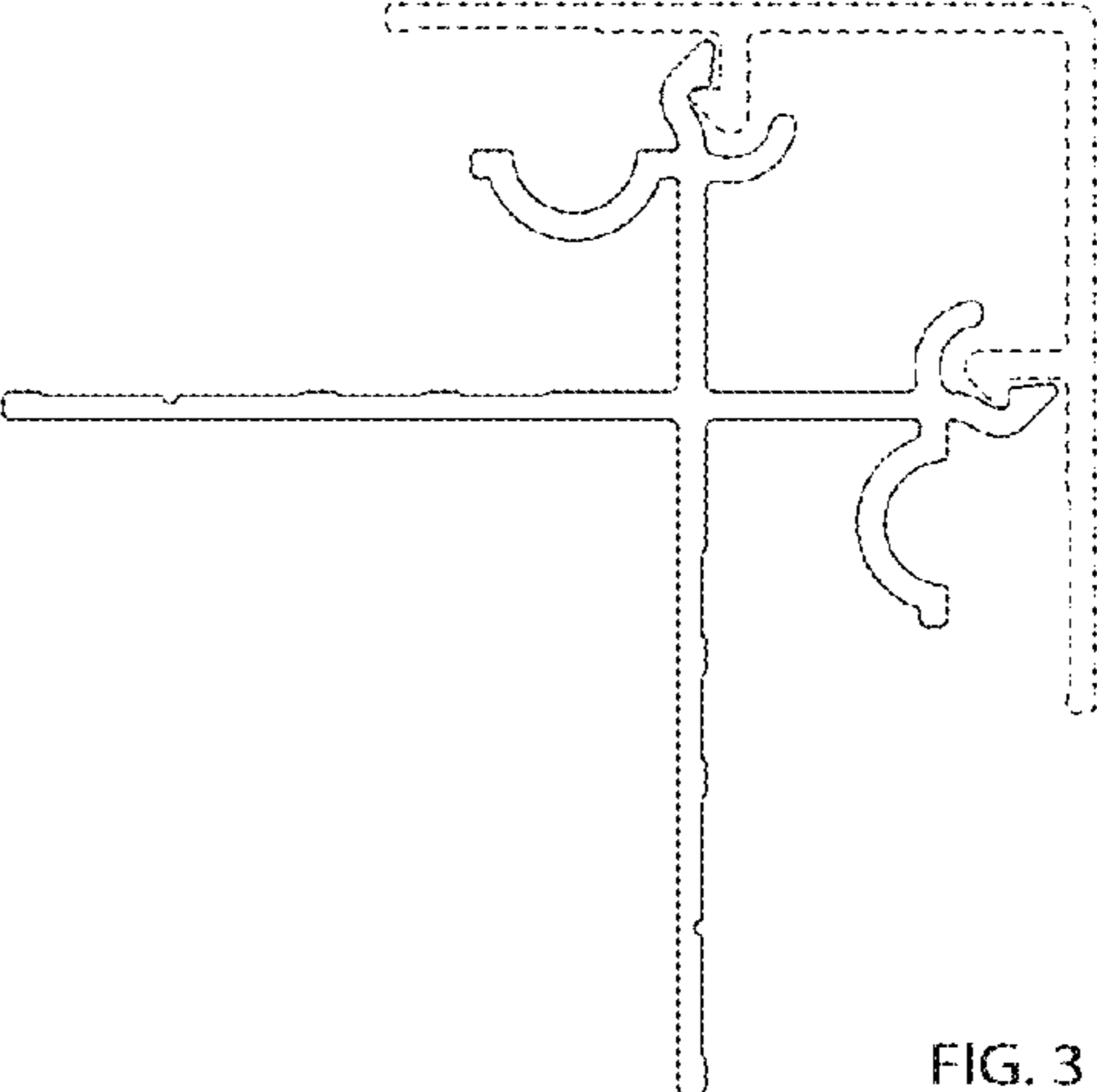


FIG. 3