



US00D791352S

(12) **United States Design Patent** (10) **Patent No.:** **US D791,352 S**
Singh (45) **Date of Patent:** **** Jul. 4, 2017**

(54) **TRIM REVEAL EXTRUSION**
(71) Applicant: **Joshua George Singh**, Calgary (CA)
(72) Inventor: **Joshua George Singh**, Calgary (CA)
(**) Term: **15 Years**
(21) Appl. No.: **29/547,612**
(22) Filed: **Dec. 4, 2015**
(51) **LOC (10) Cl.** **25-01**
(52) **U.S. Cl.**
USPC **D25/119**
(58) **Field of Classification Search**
USPC D25/35, 38.1, 41.1, 42, 43, 44, 47.1,
D25/48.1, 48.4, 55, 58, 119-123, 125,
D25/136, 137, 164, 199; 52/62, 169.5,
52/254, 255, 281, 282.1, 287.1, 288.1,
52/371, 459, 461, 465, 471, 472, 716.2,
52/706, 717.01; 160/368.1, 395;
D8/349, 354, 355, 366, 373, 377, 380,
D8/381, 403; D20/10, 43, 44
CPC E04F 2013/063; E04F 13/00; E04F 13/06;
E04F 15/142; E04F 19/02; E04F 19/0436;
E04F 19/0495; E04F 19/061; E04F 19/04;
B60R 13/04; B60R 13/0206; B60R 13/02;
A47B 95/00; A47B 96/201; E04C 2/08
See application file for complete search history.

(56) **References Cited**
U.S. PATENT DOCUMENTS
4,999,961 A * 3/1991 McNary E04F 19/06
52/287.1
5,664,376 A * 9/1997 Wilson E04F 19/06
52/287.1
5,974,748 A * 11/1999 Sciuga E04F 19/06
52/287.1
6,318,039 B1 * 11/2001 Watson E04F 19/0436
52/288.1
6,341,458 B1 * 1/2002 Burt E04F 19/061
52/287.1

7,028,436 B2 * 4/2006 Bezubic, Jr. E04C 2/04
52/288.1
D606,671 S * 12/2009 Southwell D25/122
D606,672 S * 12/2009 Southwell D25/122
D614,779 S * 4/2010 Ito D25/121
D624,209 S * 9/2010 Antonic D25/121
D630,340 S * 1/2011 Southwell D25/122
D690,436 S * 9/2013 Elizarraras D25/136
D700,360 S * 2/2014 Elizarraras D25/136
9,366,040 B2 * 6/2016 Singh E04F 19/061
2002/0023399 A1 * 2/2002 Belleau E04F 13/06
52/254
2004/0118062 A1 * 6/2004 Meijer E04B 2/704
52/287.1
2004/0128929 A1 * 7/2004 Moen E04D 3/40
52/287.1

(Continued)

OTHER PUBLICATIONS

Low Profile Outside Corner—XtremeTrim® Outside Corner, published on Feb. 13, 2015, online. Visited Oct. 25, 2016. Internet URL: <“https://web.archive.org/web/20150213020952/http://www.xtremetrim.com/product-gallery-xtremetrim.php?s=XtremeTrim%20Outside%20Corner”>.*

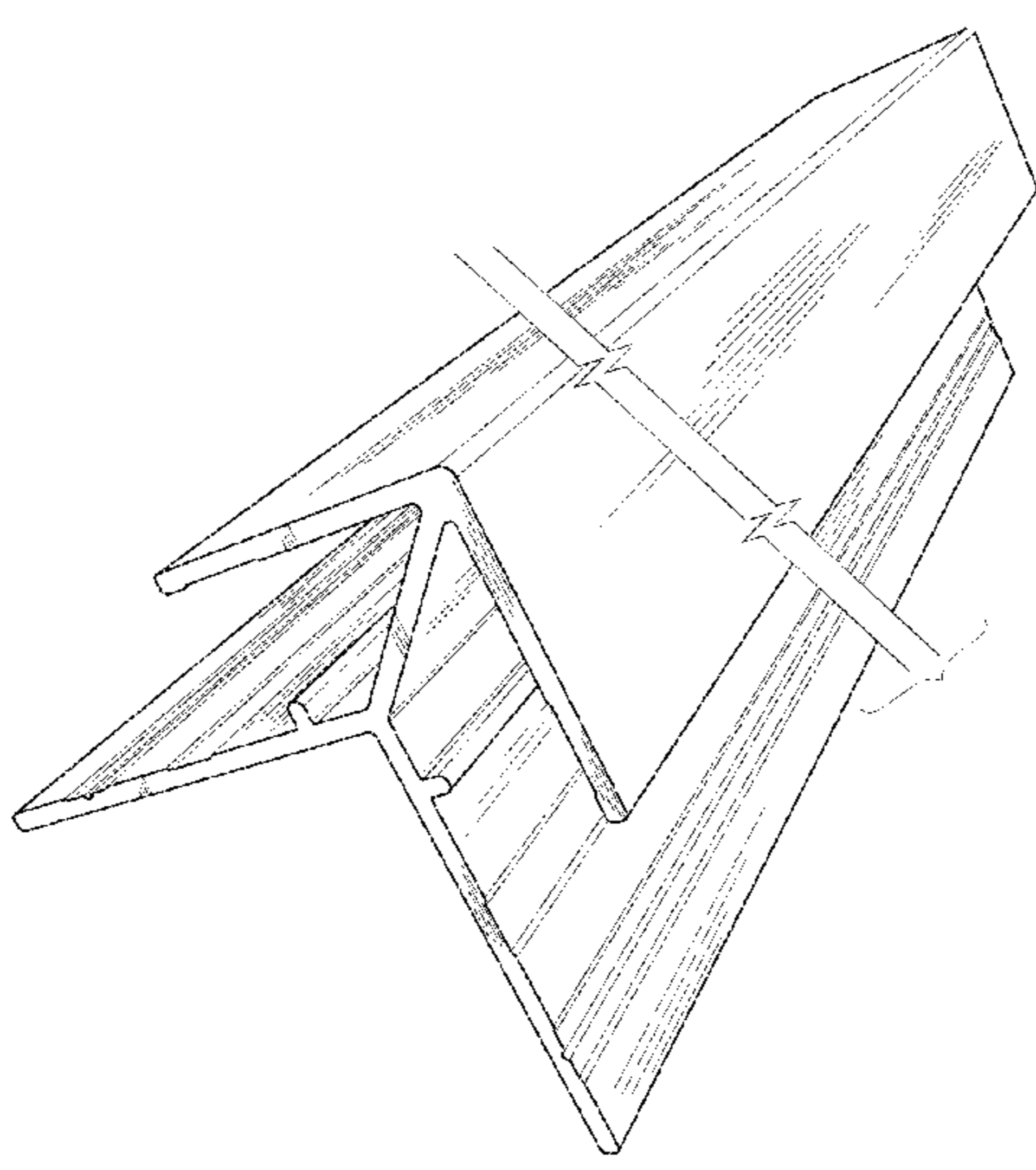
Primary Examiner — Cynthia Ramirez
Assistant Examiner — Llorellys Martinez-Rivera
(74) *Attorney, Agent, or Firm* — Tai W. Nahm; Miller Thomson LLP

(57) **CLAIM**
The ornamental design for a trim reveal extrusion, as shown and described.

DESCRIPTION

FIG. 1 is a perspective view of a trim reveal extrusion showing my new design; and, FIG. 2 is a cross-sectional view thereof. The trim reveal extrusion is shown with a symbolic break in its length. The appearance of any portion of the trim reveal extrusion between the jagged break lines form no part of the claimed design.

1 Claim, 1 Drawing Sheet



(56)

References Cited

U.S. PATENT DOCUMENTS

2008/0172961 A1* 7/2008 Wu A63H 33/105
52/282.1
2012/0255249 A1* 10/2012 Singh E04F 19/061
52/302.1

* cited by examiner

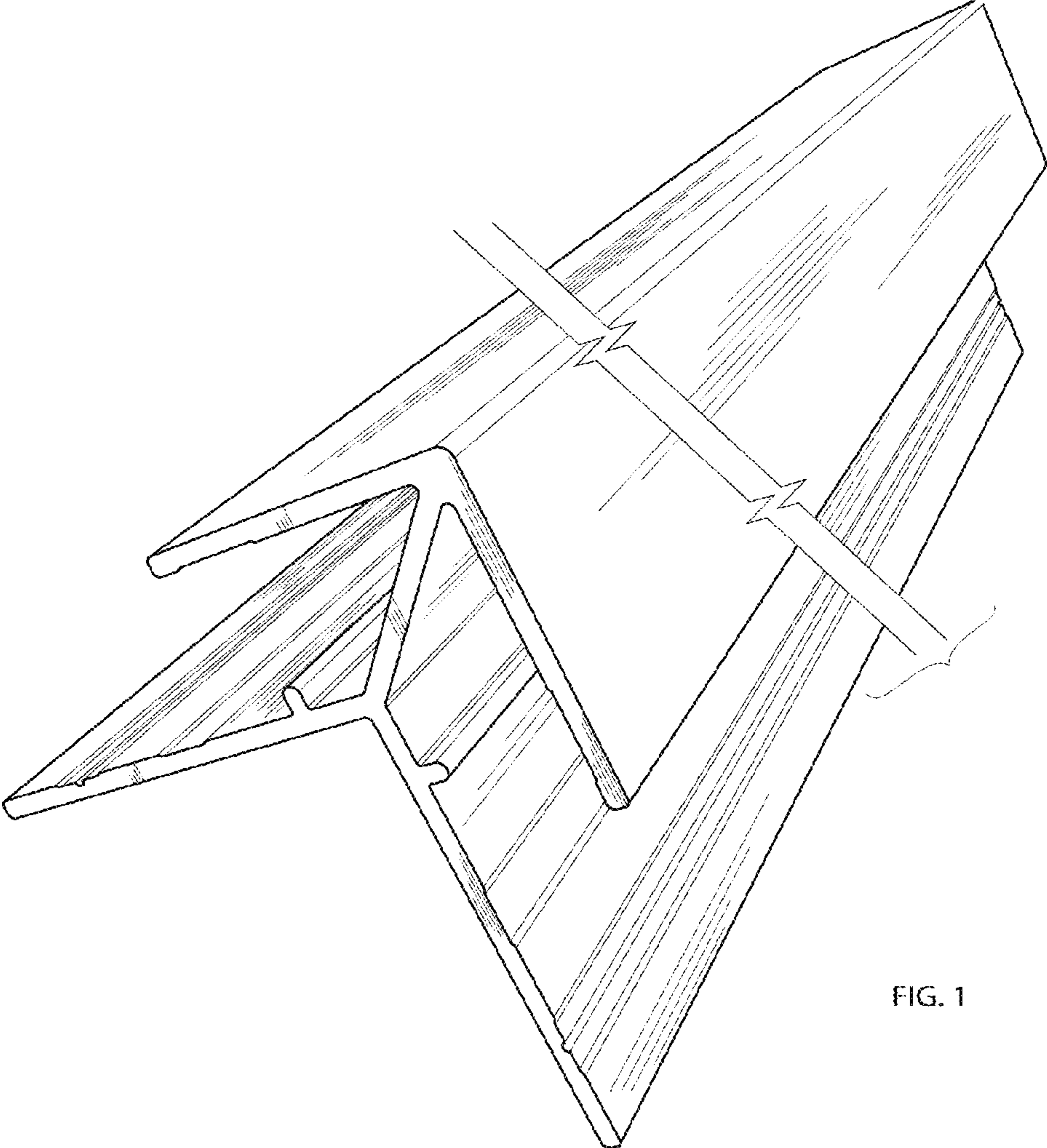


FIG. 1

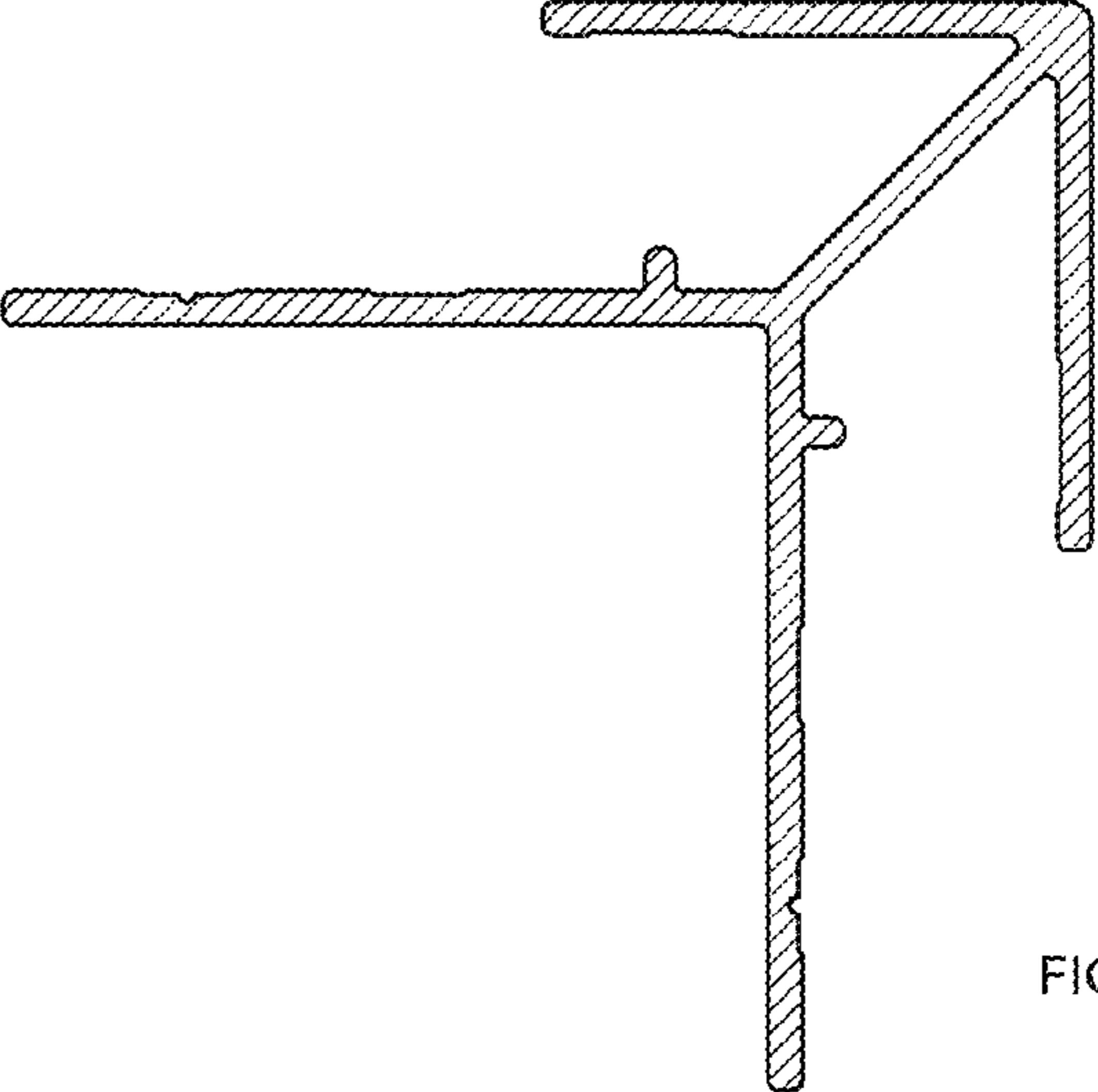


FIG. 2