



US00D791348S

(12) **United States Design Patent**
Singh

(10) **Patent No.:** **US D791,348 S**

(45) **Date of Patent:** **** Jul. 4, 2017**

(54) **TRIM REVEAL EXTRUSION**

(71) Applicant: **Joshua George Singh**, Calgary (CA)

(72) Inventor: **Joshua George Singh**, Calgary (CA)

(**) Term: **15 Years**

(21) Appl. No.: **29/547,324**

(22) Filed: **Dec. 2, 2015**

(51) **LOC (10) Cl.** **25-01**

(52) **U.S. Cl.**
USPC **D25/119**

(58) **Field of Classification Search**
USPC D25/35, 38.1, 41.1, 42, 43, 44, 47.1, D25/48.1, 48.4, 58, 119-123, 125, 136, D25/137, 164, 199; 52/62, 169.5, 254, 52/255, 281, 282.1, 287.1, 288.1, 371, 52/459, 461, 465, 471, 472, 716.2, 706, 52/717.01; 160/368.1, 395; D8/349, D8/354, 355, 366, 373, 377, 380, 381, D8/403; D20/10, 43, 44
CPC E04F 2013/063; E04F 13/00; E04F 13/06; E04F 15/142; E04F 19/02; E04F 19/0436; E04F 19/0495; E04F 19/061; E04F 19/04; B60R 13/04; B60R 13/0206; B60R 13/02; A47B 95/00; A47B 96/201; E04C 2/08
See application file for complete search history.

D523,565 S * 6/2006 Antonic D25/119
D529,630 S * 10/2006 Zarb D25/119
D573,723 S * 7/2008 Vibiano D25/136
D574,513 S * 8/2008 Vibiano D25/136
D680,661 S * 4/2013 Elizarraras D25/136
D711,022 S * 8/2014 Singh D25/119
D711,554 S * 8/2014 Singh D25/119
D711,556 S * 8/2014 Singh D25/119
D742,546 S * 11/2015 Singh D25/119
D742,547 S * 11/2015 Singh D25/119
D750,806 S * 3/2016 Singh D25/119
2012/0255249 A1* 10/2012 Singh E04F 19/061
52/302.1
2016/0168869 A1* 6/2016 Curtis E04F 19/02
52/716.2

* cited by examiner

Primary Examiner — Cynthia Ramirez
Assistant Examiner — Llorellys Martinez-Rivera
(74) *Attorney, Agent, or Firm* — Tai W. Nahm; Miller Thomson LLP

(57) **CLAIM**

The ornamental design for a trim reveal extrusion, as shown and described.

DESCRIPTION

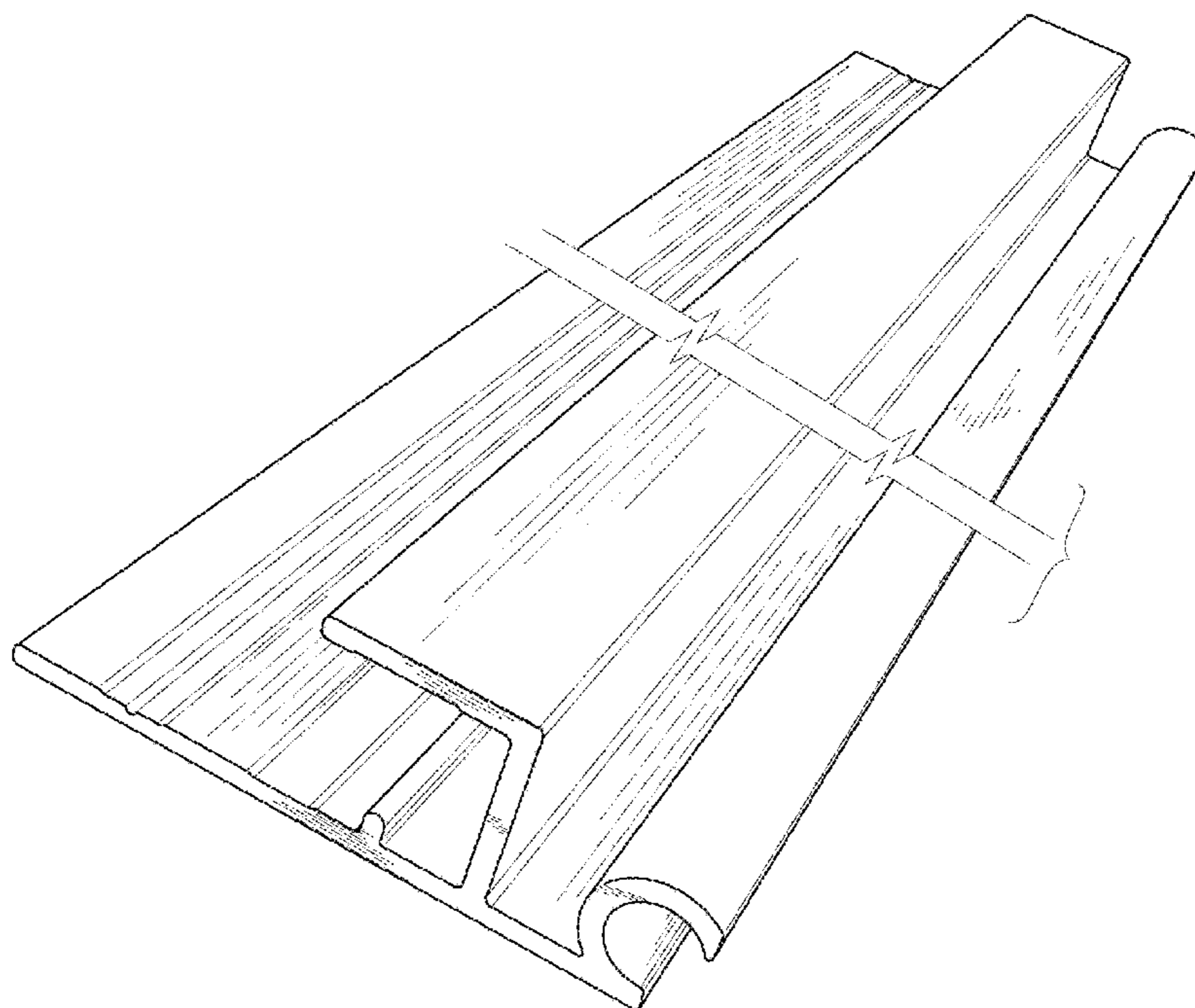
FIG. 1 is a perspective view of a trim reveal extrusion showing my new design; and, FIG. 2 is a cross-sectional view thereof. The trim reveal extrusion is shown with a symbolic break in its length. The appearance of any portion of the trim reveal extrusion between the jagged break lines form no part of the claimed design.

1 Claim, 1 Drawing Sheet

(56) **References Cited**

U.S. PATENT DOCUMENTS

5,222,343 A * 6/1993 Anderson E04F 19/061
52/717.01
D502,090 S * 2/2005 Castellanos D8/377



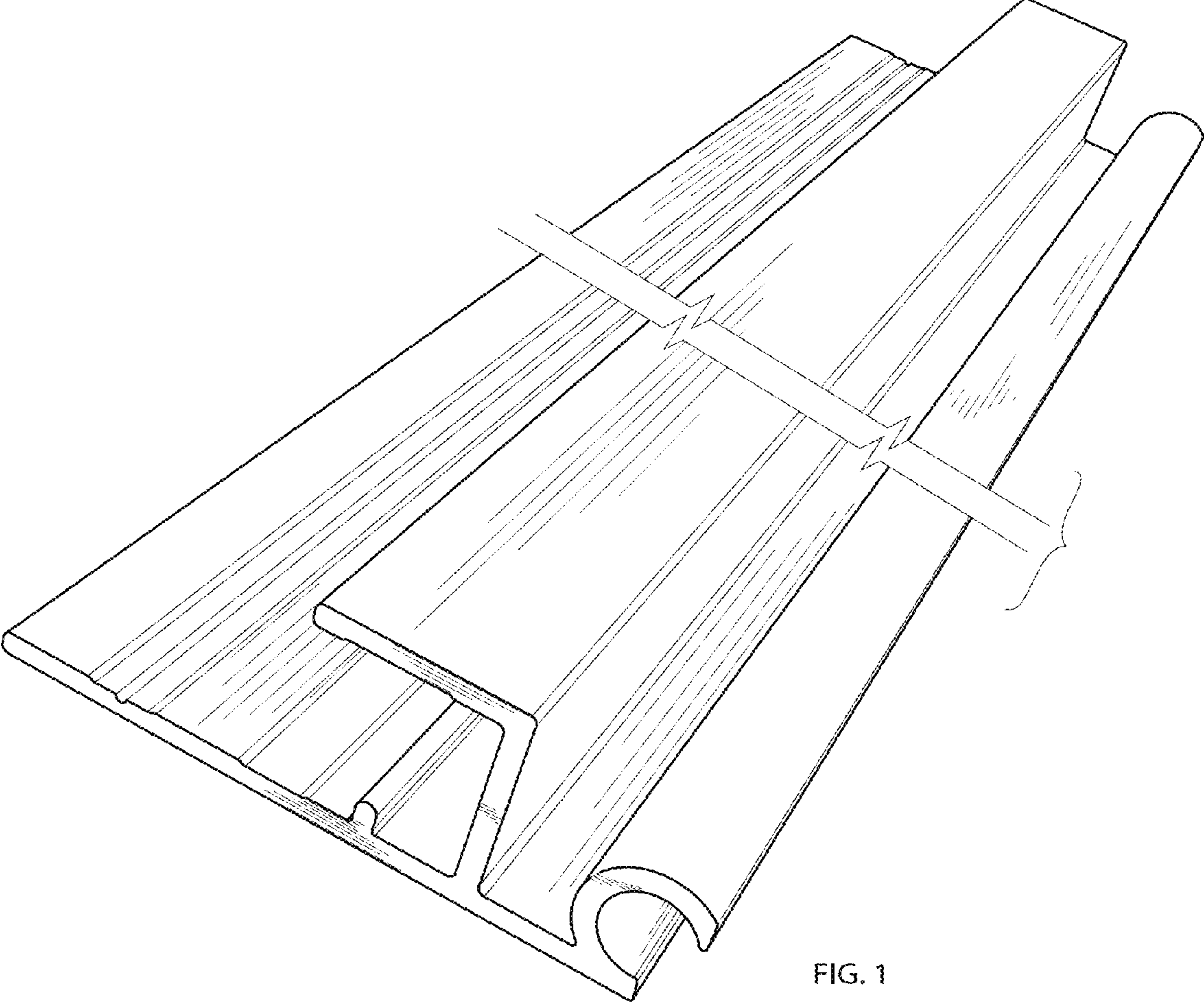


FIG. 1

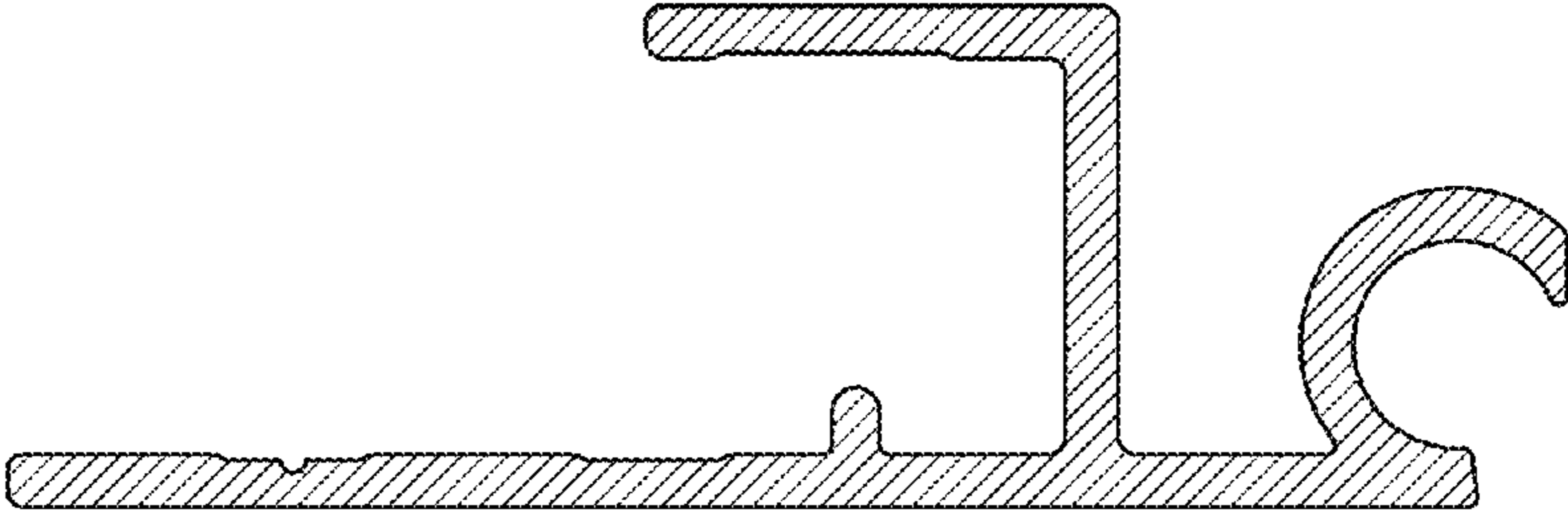


FIG. 2