



US00D791347S

(12) **United States Design Patent** (10) **Patent No.:** **US D791,347 S**  
**Rosende et al.** (45) **Date of Patent:** **\*\* Jul. 4, 2017**

(54) **BUILDING COMPONENT EXTRUSION**

(71) Applicant: **Deco Flash, LLC**, Tampa, FL (US)

(72) Inventors: **John Leonard Rosende**, Tampa, FL (US); **Christopher Ryan Rosende**, Tampa, FL (US)

(73) Assignee: **Deco Flash, LLC**, Tampa, FL (US)

(\*\*) Term: **15 Years**

(21) Appl. No.: **29/533,359**

(22) Filed: **Jul. 16, 2015**

(51) **LOC (10) Cl.** ..... **25-01**

(52) **U.S. Cl.**  
USPC ..... **D25/119**

(58) **Field of Classification Search**  
USPC ..... D25/119-125, 69, 56, 48.8, 47, 49, 60, D25/141, 138, 58, 38.1, 135, 136, 35, 61, D25/199, 48.2, 48.7; 52/179, 506.06, 52/506.07, 716.1, 579, 578, 506.05, 52/489.1, 309.14, 518, 555, 204.59, 52/204.5, 58, 62, 204.1, 302.6, 656.5; 40/658, 666, 426, 549, 761  
CPC ... E06B 1/62; E06B 1/702; E06B 1/70; E06B 1/68

See application file for complete search history.

(56) **References Cited**

**U.S. PATENT DOCUMENTS**

D325,983 S *	5/1992	Dallaire	.....	D25/124
D378,426 S *	3/1997	Leonelli	.....	D25/124
D425,215 S *	5/2000	Ginzler	.....	D25/119
D432,250 S *	10/2000	Habeck	.....	D25/124
D436,672 S *	1/2001	Habeck	.....	D25/124
6,550,210 B1 *	4/2003	Levine	.....	E06B 1/62 52/208
D487,937 S *	3/2004	Habeck	.....	D25/124

D665,922 S *	8/2012	Yoder	.....	D25/61
D729,947 S	5/2015	Stankay		
D732,202 S	6/2015	Chaney et al.		
D732,705 S	6/2015	Decicio		
2006/0026913 A1 *	2/2006	Turner	.....	E06B 3/44 52/204.5
2014/0318035 A1 *	10/2014	Costa	.....	E06B 7/14 52/62

**OTHER PUBLICATIONS**

Deco-Flash. "Flat Casing Frame", www.deco-flash.com. Flat Casign Frame. Web. Dec. 12, 2016 shown in p. 1, Item FC65.\*

\* cited by examiner

*Primary Examiner* — Cynthia Ramirez

*Assistant Examiner* — Gino Colan

(74) *Attorney, Agent, or Firm* — Maxey Law Offices, PLLC; Stephen Lewellyn

(57) **CLAIM**

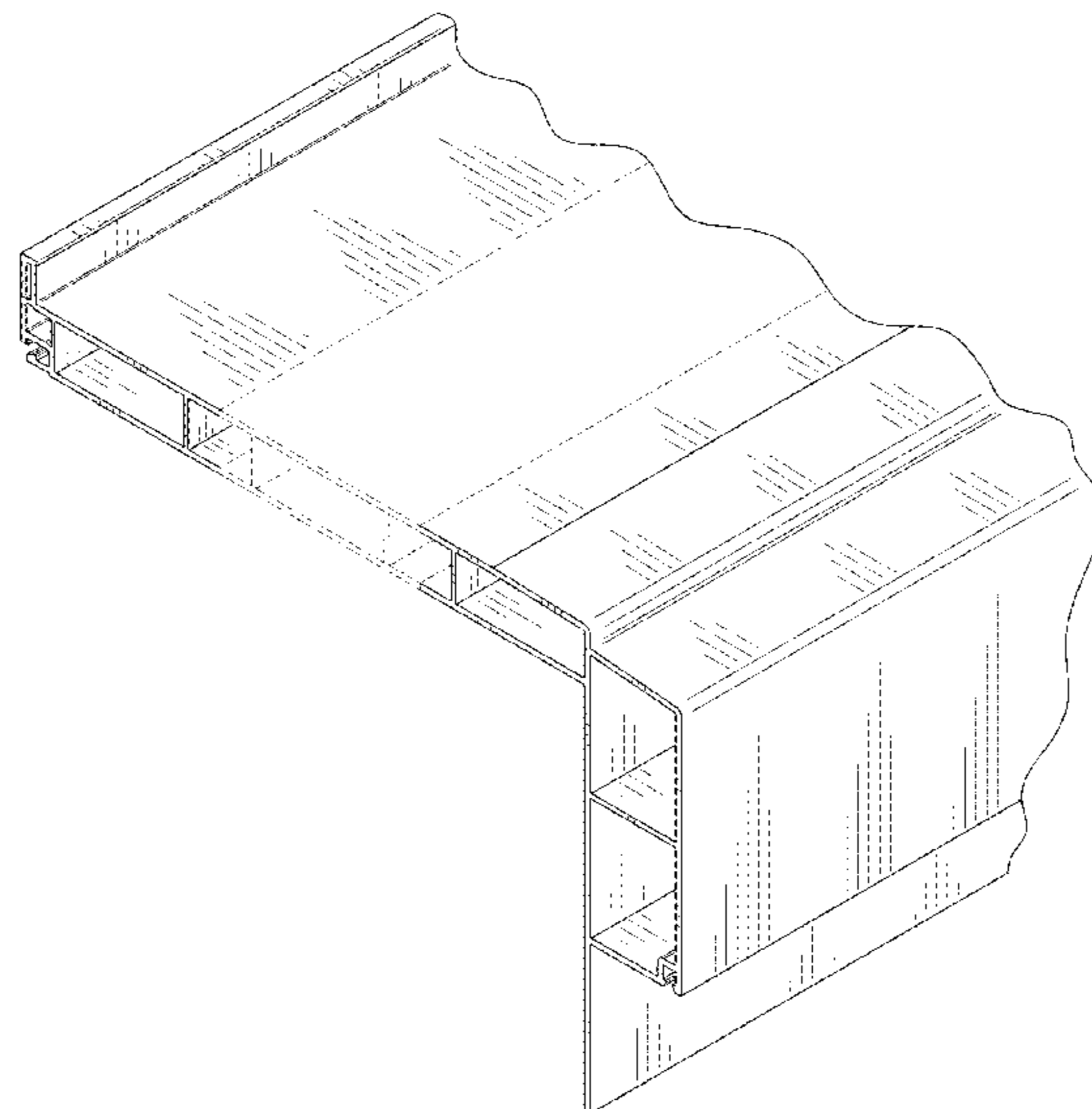
The ornamental design for a building component extrusion, as shown and described.

**DESCRIPTION**

FIG. 1 is a front perspective view of a building component extrusion showing our new design; FIG. 2 is a back perspective view of the building component extrusion of FIG. 1; and, FIG. 3 is an end view of the building component extrusion of FIG. 1.

The wave line shown at one of the ends of the building component extrusion indicate that any portion of the article beyond what is shown forms no part of the claimed design. The building component extrusion is shown with a symbolic break in its width shown in broken lines. The appearance of any portion within the broken lines forms no part of the claimed design.

**1 Claim, 3 Drawing Sheets**



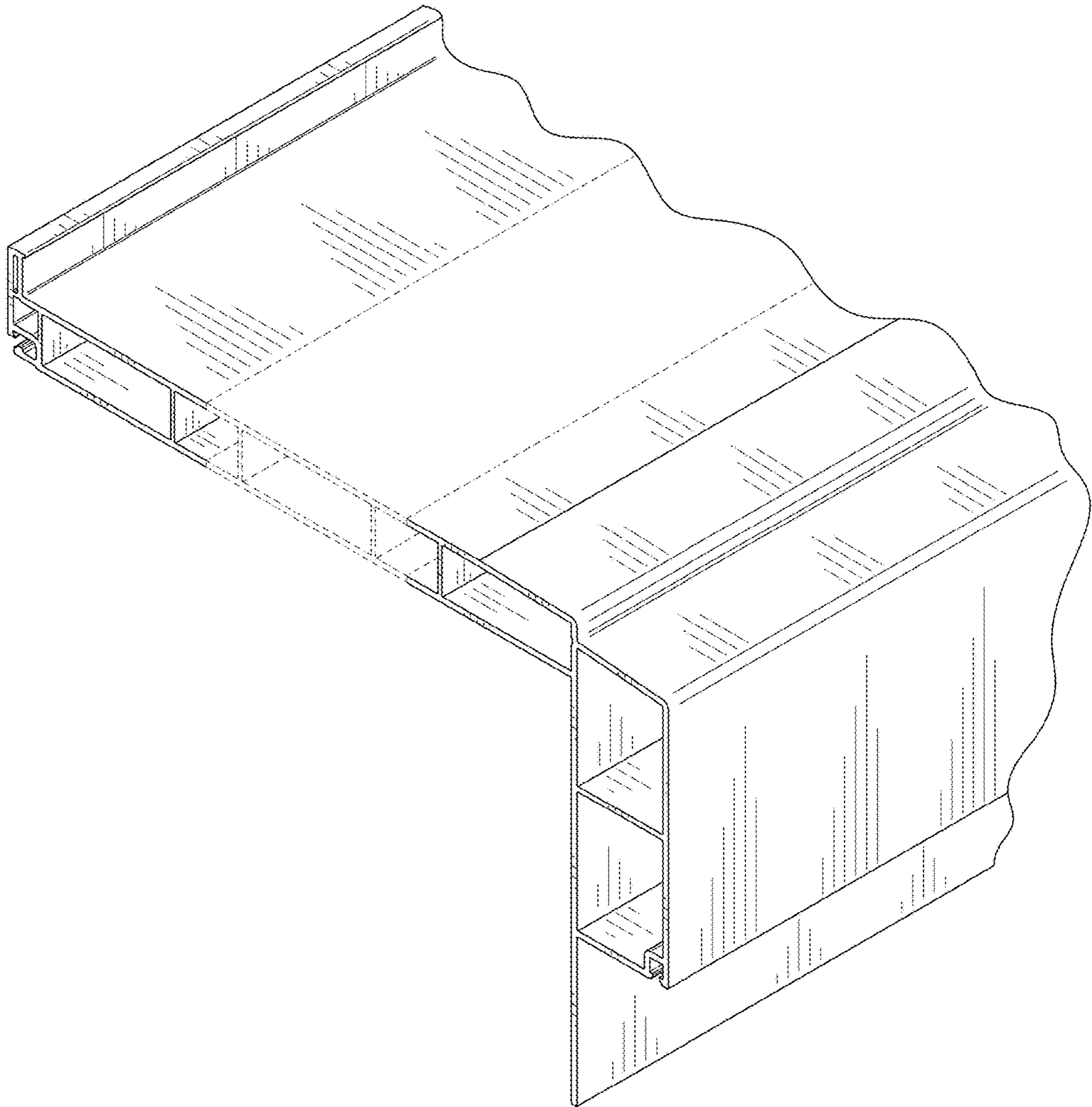


FIG. 1

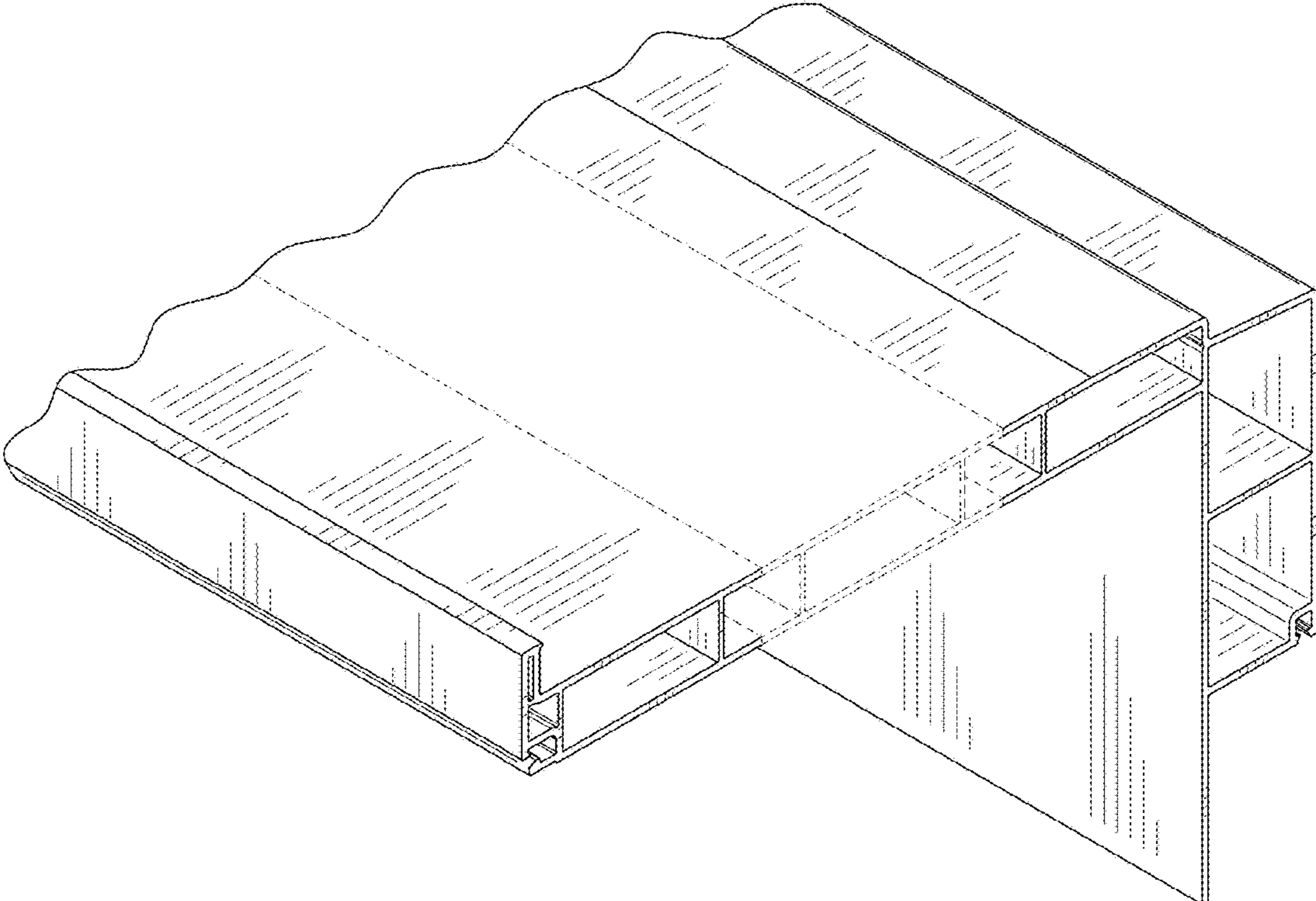


FIG. 2

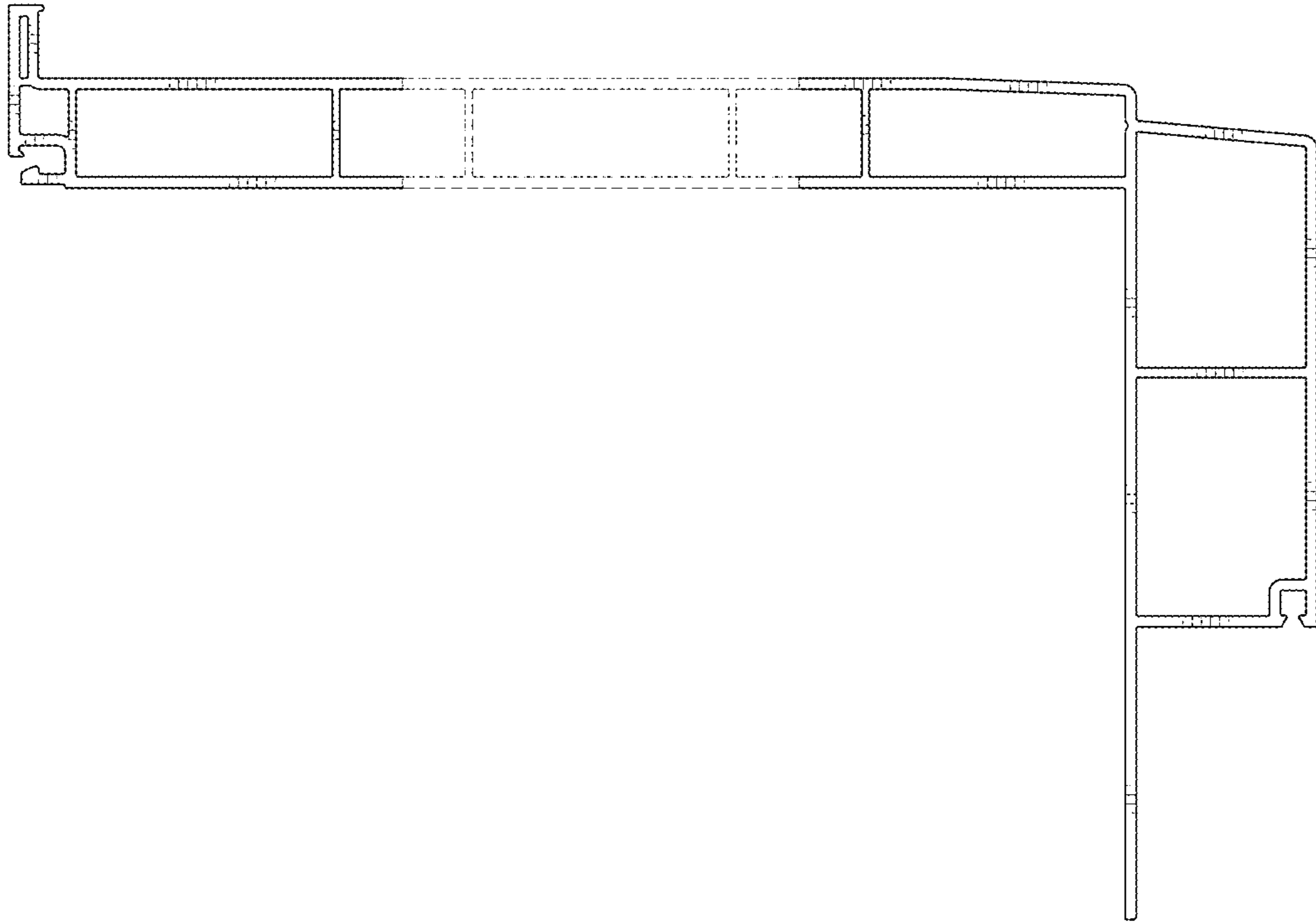


FIG. 3