



US00D791344S

(12) **United States Design Patent** (10) **Patent No.:** **US D791,344 S**
Lamberts (45) **Date of Patent:** **** Jul. 4, 2017**

(54) **BUILDING GLASS**

FOREIGN PATENT DOCUMENTS

(71) Applicant: **Glasfabrik Lamberts GmbH & Co. KG**, Wunsiedel-Holenbrunn (DE)

EM 000539523-0001 * 7/2006
EM 001119366-0002 * 4/2009
EM 000970918-0001 * 1/2011

(72) Inventor: **Christoph Lamberts**, München (DE)

(Continued)

(73) Assignee: **GLASFABRIK LAMBERTS GMBH & CO. KG**, Wunsiedel-Holenbrunn (DE)

OTHER PUBLICATIONS

(**) Term: **14 Years**

http://www.facade-lab.com/pdf/Showroom_Lamberts_Glas.pdf
Available Feb. 2013.*

(21) Appl. No.: **29/525,218**

Primary Examiner — Susan Bennett Hattan

(22) Filed: **Apr. 28, 2015**

Assistant Examiner — Leanne Was-Englehart

(51) **LOC (10) Cl.** **25-01**

(74) *Attorney, Agent, or Firm* — Global IP Counselors, LLP

(52) **U.S. Cl.**

USPC **D25/109**

(58) **Field of Classification Search**

USPC D5/53, 60; D25/102, 103, 106, 109, 110,
D25/111, 119, 120, 122, 123–125, 138,
D25/164; D26/122; 52/306, 307, 311.1;
428/38, 46

CPC F21V 33/006

See application file for complete search history.

(57) **CLAIM**

The ornamental design for a building glass, as shown and described.

DESCRIPTION

(56) **References Cited**

U.S. PATENT DOCUMENTS

2,179,862 A * 11/1939 Rolph E04C 1/42
359/595
2,179,863 A * 11/1939 Rolph E04C 1/42
237/1 R
D201,986 S * 8/1965 Wince D26/122
D207,596 S * 5/1967 Wince D26/122
D208,938 S * 10/1967 Wince D26/122
D402,047 S * 12/1998 Sadovenko D25/103
D448,495 S * 9/2001 Lamberts D25/109
7,481,549 B2 * 1/2009 Hess F21V 33/006
362/125
D637,313 S * 5/2011 Lamberts D25/103
D639,142 S * 6/2011 Antonic D8/354
D684,704 S * 6/2013 Lamberts D25/103

(Continued)

The patent or application file contains at least one drawing executed in color. Copies of this patent or patent application publication with color drawing(s) will be provided by the Office upon request and payment of the necessary fee.

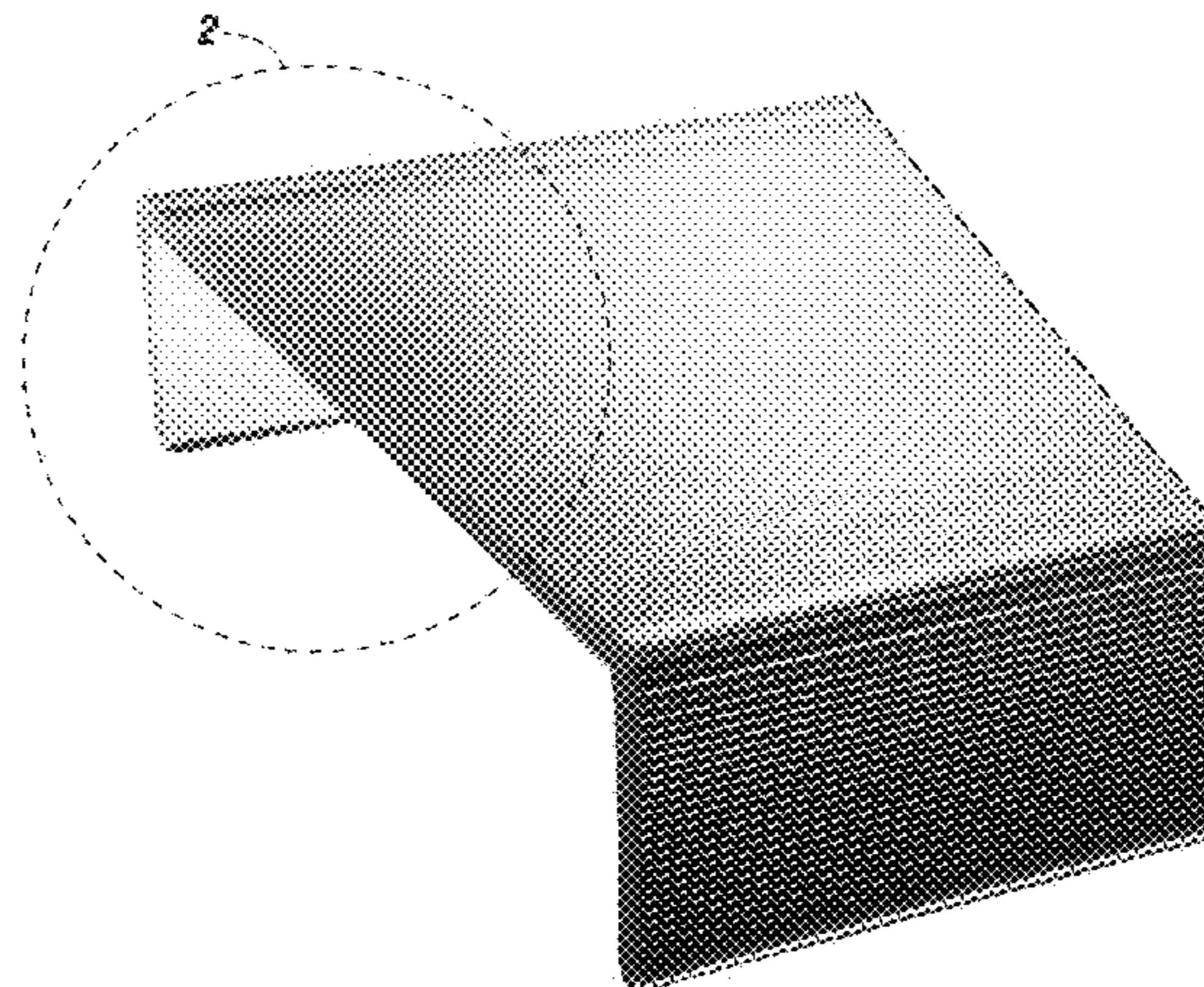
FIG. 1 is a perspective view of a building glass in accordance with my design, with the reverse view of the building glass being a mirror image thereof;

FIG. 2 is an enlarged perspective view taken from FIG. 1; and,

FIG. 3 is a front perspective view of the building glass of FIG. 1.

The dot-dashed broken lines depict the bounds of the claim that form no part of the claimed design. The evenly spaced dashed lines depict an enlarged view.

1 Claim, 3 Drawing Sheets
(3 of 3 Drawing Sheet(s) Filed in Color)



(56)

References Cited

U.S. PATENT DOCUMENTS

D729,416 S * 5/2015 Skjelbred D25/114
2008/0151536 A1* 6/2008 Hess F21V 33/006
362/224

FOREIGN PATENT DOCUMENTS

EM 001688532-0002 * 10/2012
EM 002229765-0001 * 5/2013
GB 2098462 * 3/2002
WO D049590-002 * 1/2000

* cited by examiner

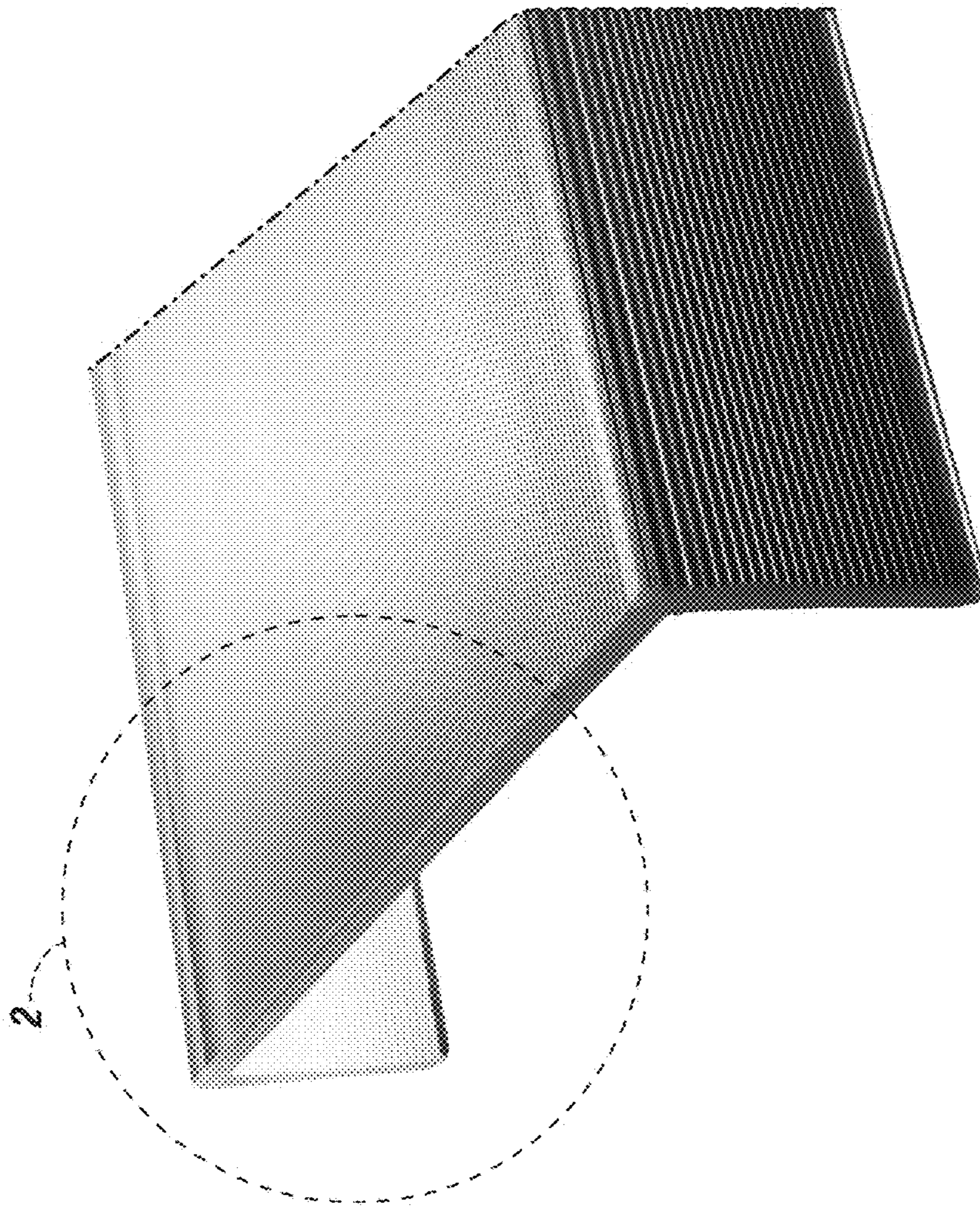
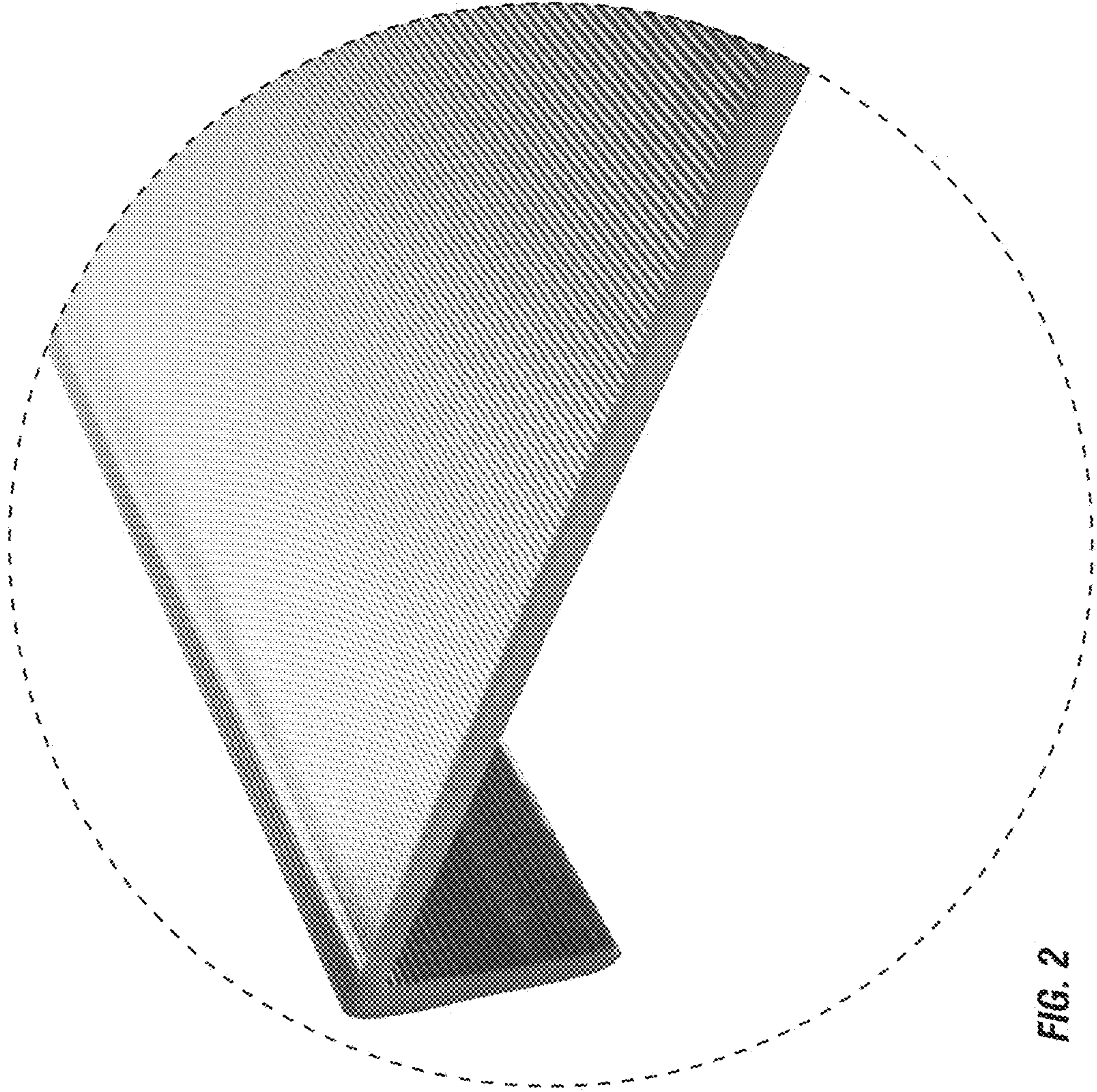


FIG. 1



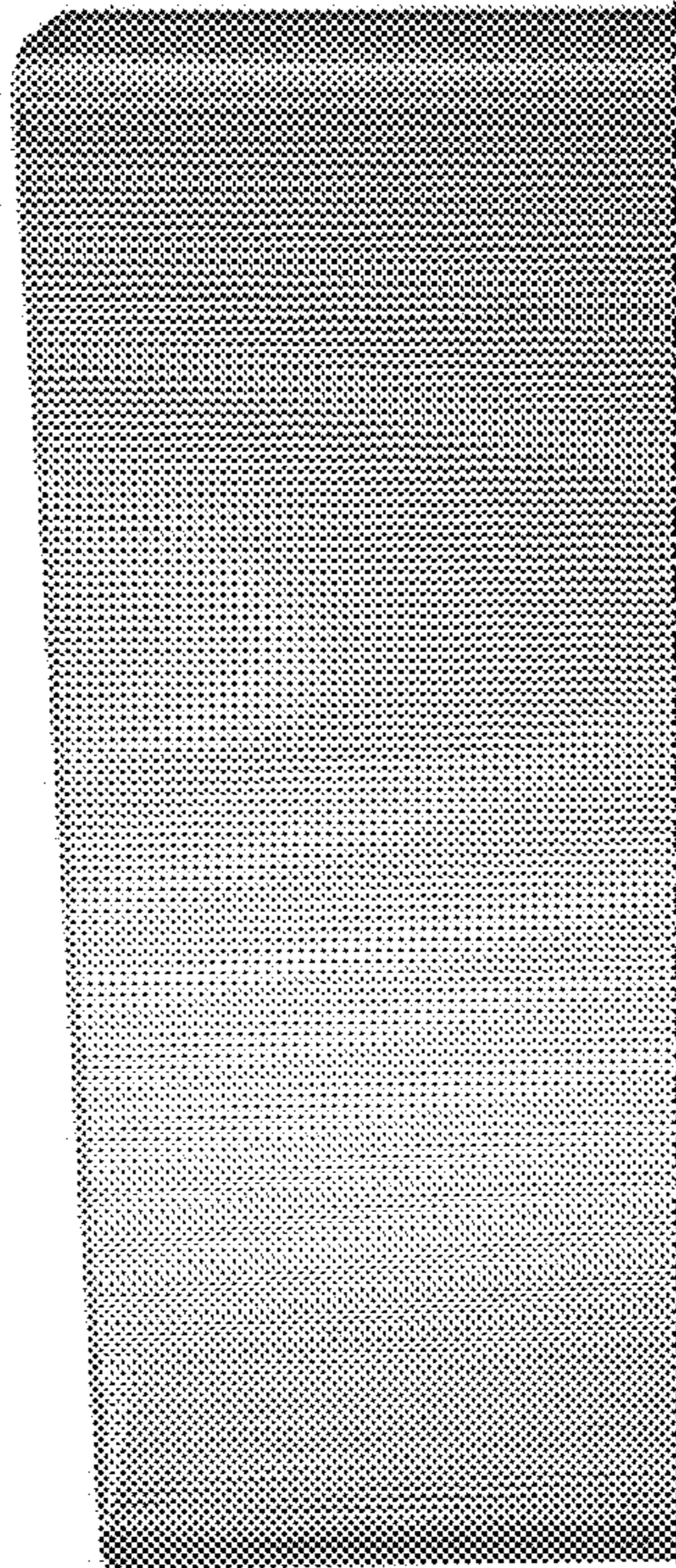


FIG. 3