



US00D791343S

(12) **United States Design Patent**
Reinhart

(10) **Patent No.:** **US D791,343 S**
(45) **Date of Patent:** **** Jul. 4, 2017**

- (54) **EXTENDED SAWHORSE**
- (71) Applicant: **Creative Plastic Concepts, LLC,**
Sycamore, OH (US)
- (72) Inventor: **Nickolas Reinhart,** Findlay, OH (US)
- (73) Assignee: **Creative Plastics Concepts, LLC,**
Sycamore, OH (US)
- (**) Term: **15 Years**
- (21) Appl. No.: **29/569,785**
- (22) Filed: **Jun. 30, 2016**
- (51) **LOC (10) Cl.** **25-04**
- (52) **U.S. Cl.**
USPC **D25/67**
- (58) **Field of Classification Search**
USPC D25/62, 67, 68, 38, 58; 182/181.1,
182/186.3, 182.1, 154, 182.4, 186.1, 155,
182/153, 185.1, 224, 186.5, 152, 179.1,
182/184, 181, 185, 186, 183.1, 186.7,
182/178.1, 66.1, 182.2, 194, 67.4, 64.1,
182/101, 102, 106, 115, 112, 120, 121,
182/228.1, 228.2, 182, 225-227, 113;
248/163.2, 201, 166, 188.8, 228.1, 188,
248/163.1, 411, 431, 161, 200, 238,
248/218.4, 219.1; 269/901; D6/311-312;
D8/349, 354, 380-382, 394, 373;
403/205, 373, 382, 402, 170, 217
CPC ... B25H 1/06; B25H 1/04; B25H 1/08; B25H
1/10; B25H 3/00; B27B 17/0075
See application file for complete search history.

D410,118 S *	5/1999	Bartlett	D25/67
D425,210 S *	5/2000	DuRapau	D25/67
6,305,498 B1 *	10/2001	Itzkovitch	B25H 1/06 182/129
6,488,119 B1 *	12/2002	DuRapau	B25H 1/06 182/153
6,712,180 B2 *	3/2004	Levy	B25H 1/16 182/153
7,021,424 B2 *	4/2006	Herman	B25H 1/06 182/224
D708,351 S *	7/2014	Ken-Dror	D25/67
D721,442 S *	1/2015	Wang	D25/67
D722,183 S	2/2015	Reinhart		

(Continued)

Primary Examiner — Cynthia Ramirez
Assistant Examiner — Gino Colan
 (74) *Attorney, Agent, or Firm* — Ward Law Office LLC;
 Jacob M. Ward

(57) **CLAIM**

The ornamental design for an extended sawhorse, as shown and described.

DESCRIPTION

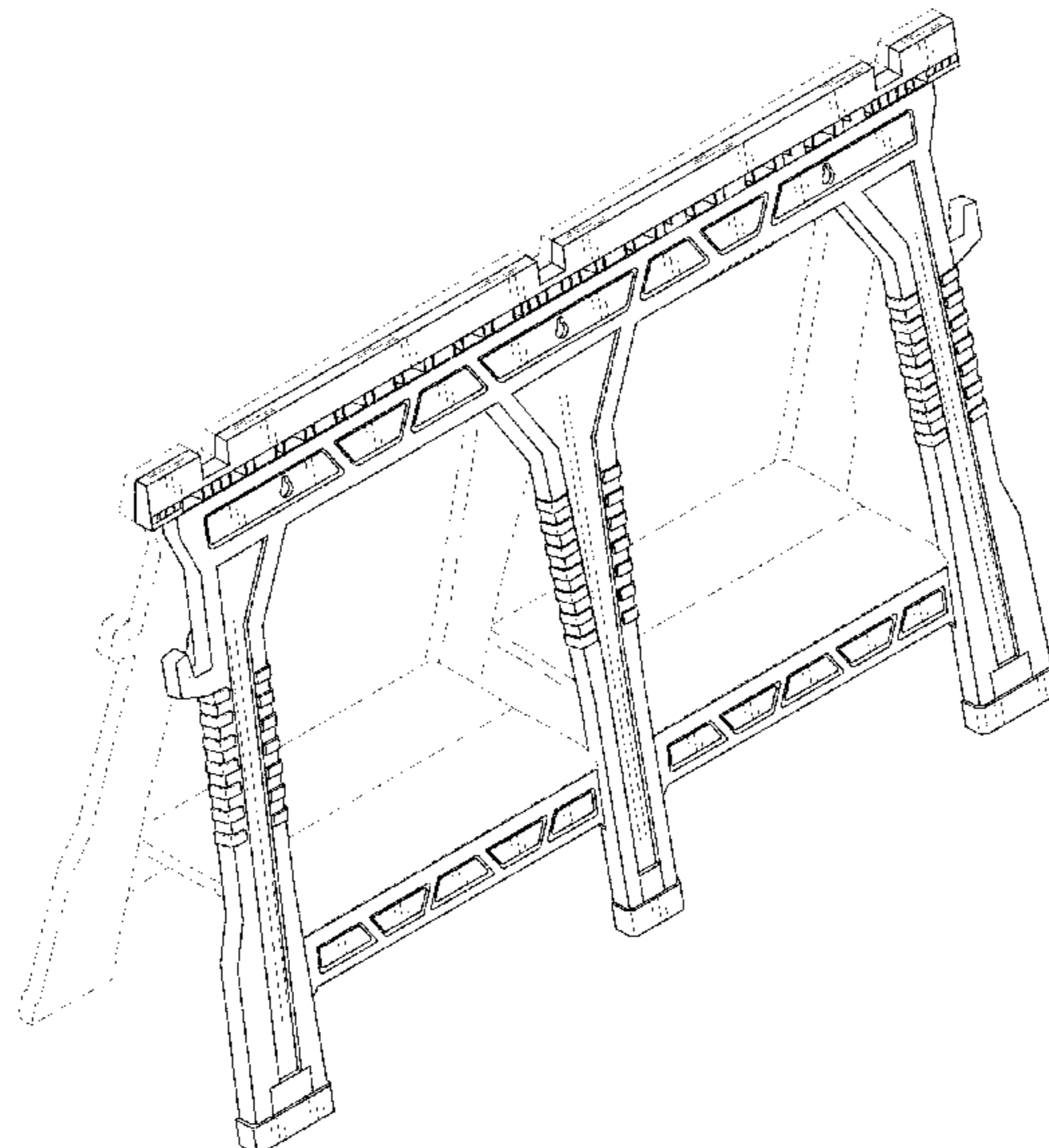
FIG. 1 is a top perspective view of an extended sawhorse showing my new design;
 FIG. 2 is a front elevational view thereof;
 FIG. 3 is a top plan view thereof;
 FIG. 4 is a bottom plan view thereof; and,
 FIG. 5 is a right side elevational view thereof.
 A rear elevational view is not shown because it is a mirror image of the front elevational view shown in FIG. 2. A left side elevational view is not shown because it is a mirror image of the right side elevational view shown in FIG. 5. The ornamental design which is claimed is shown in solid lines in the drawings.
 The broken lines shown in the figures are for the purpose of illustrating portions of the extended sawhorse and form no part of the claimed design

(56) **References Cited**

U.S. PATENT DOCUMENTS

D392,746 S *	3/1998	Dickinson	D25/67
5,794,923 A *	8/1998	Bartlett	E01F 13/022 182/153

1 Claim, 4 Drawing Sheets



(56)

References Cited

U.S. PATENT DOCUMENTS

2010/0288585 A1* 11/2010 Katz B25H 1/06
182/155

* cited by examiner

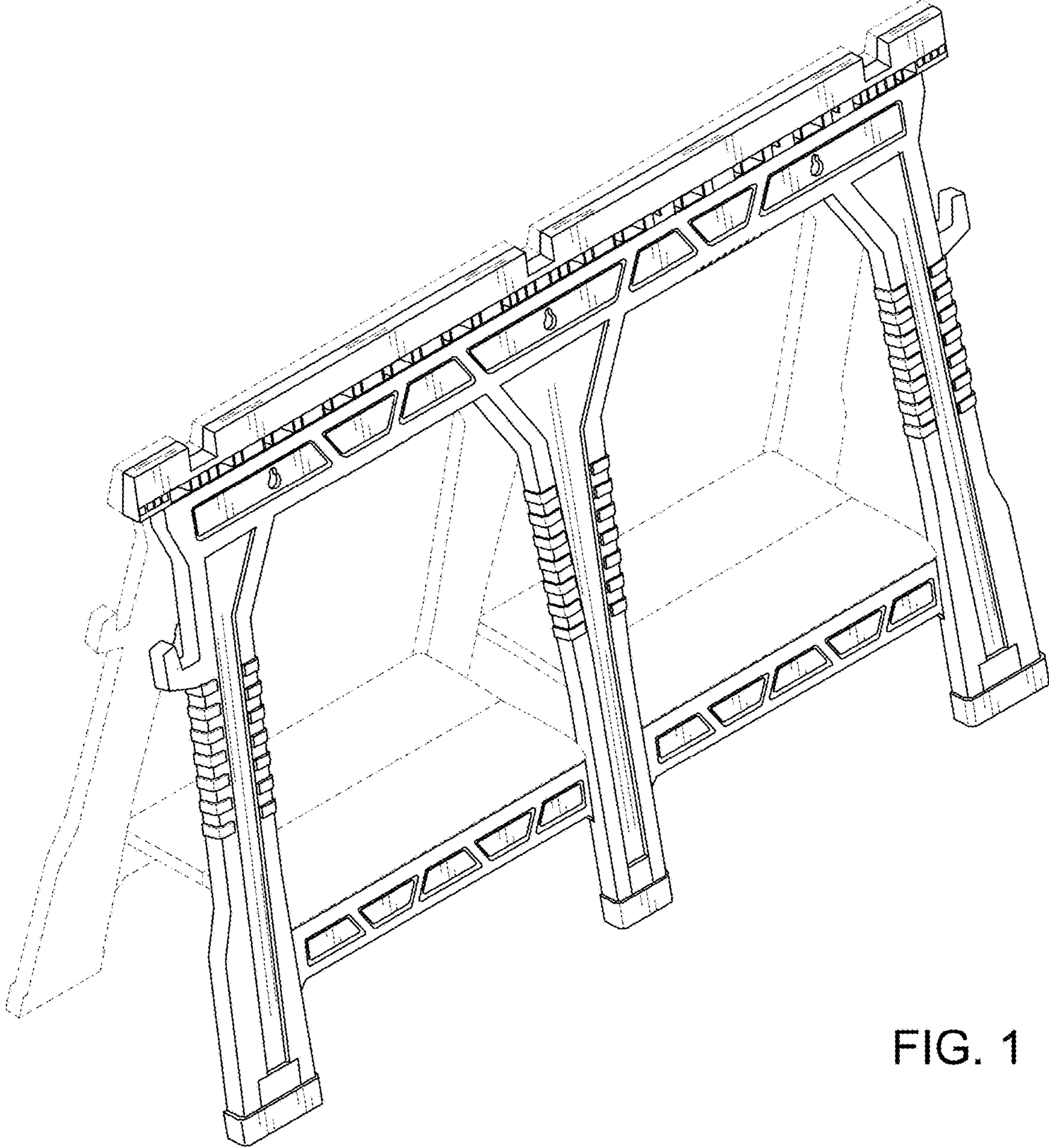


FIG. 1

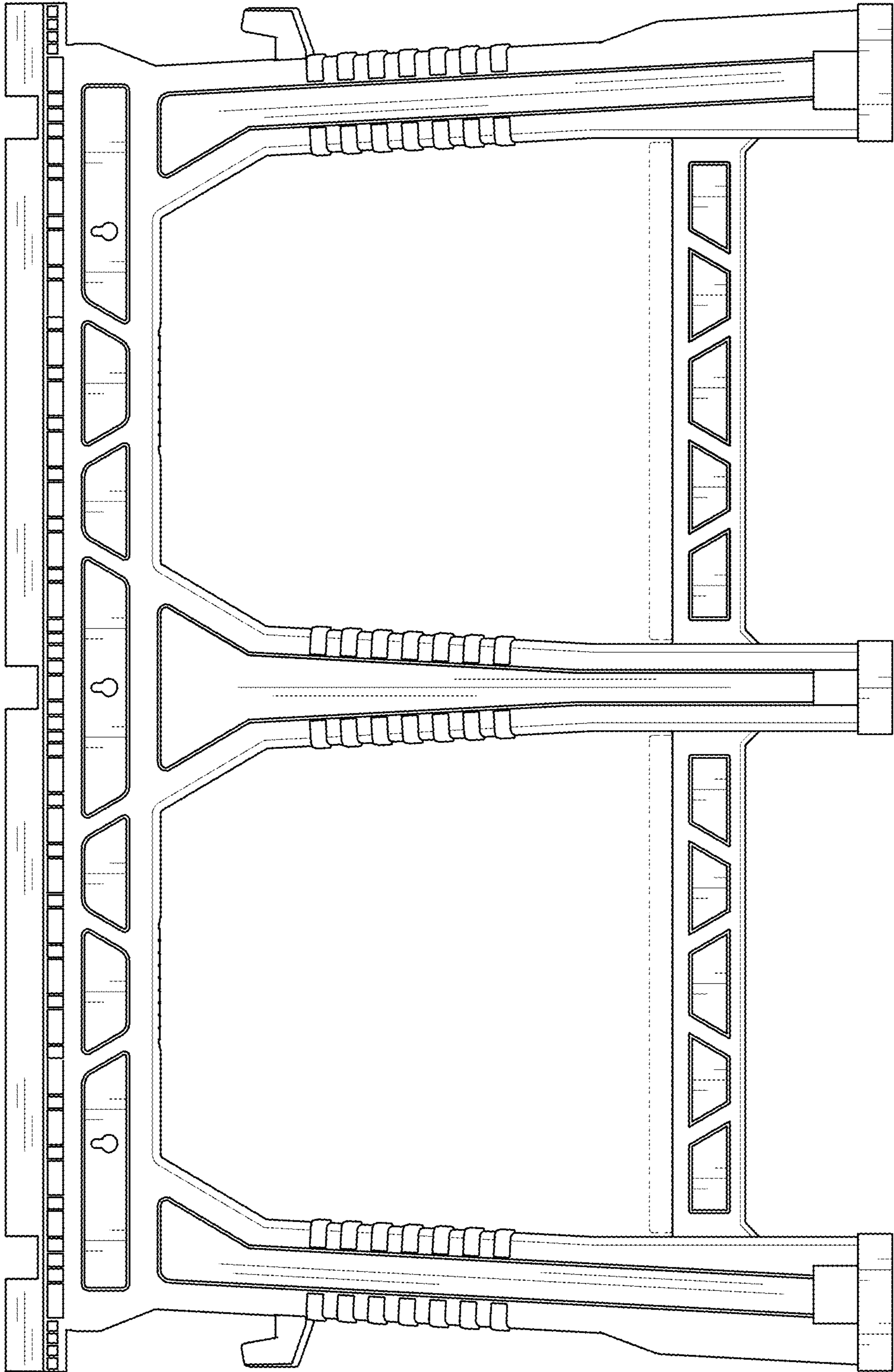


FIG. 2

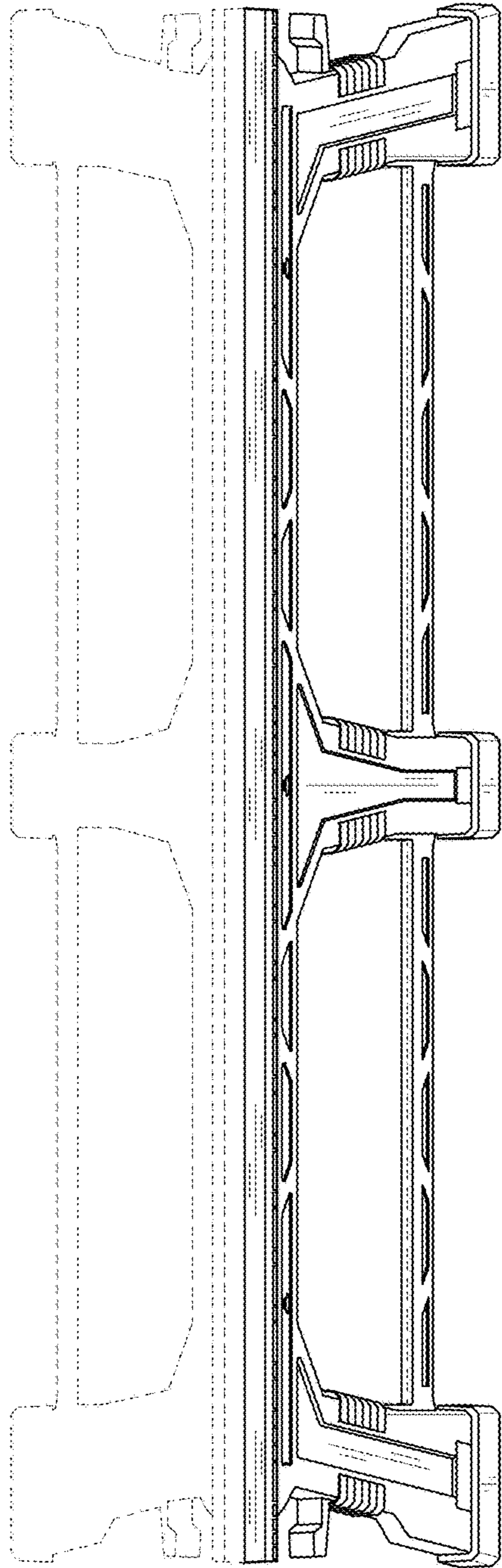


FIG. 3

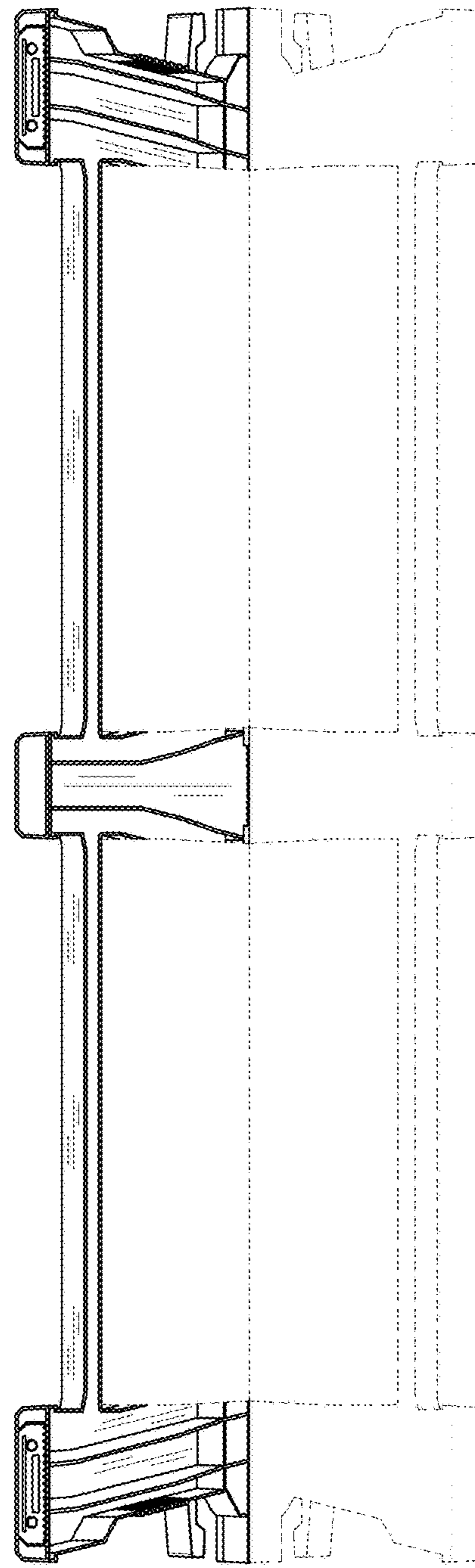


FIG. 4

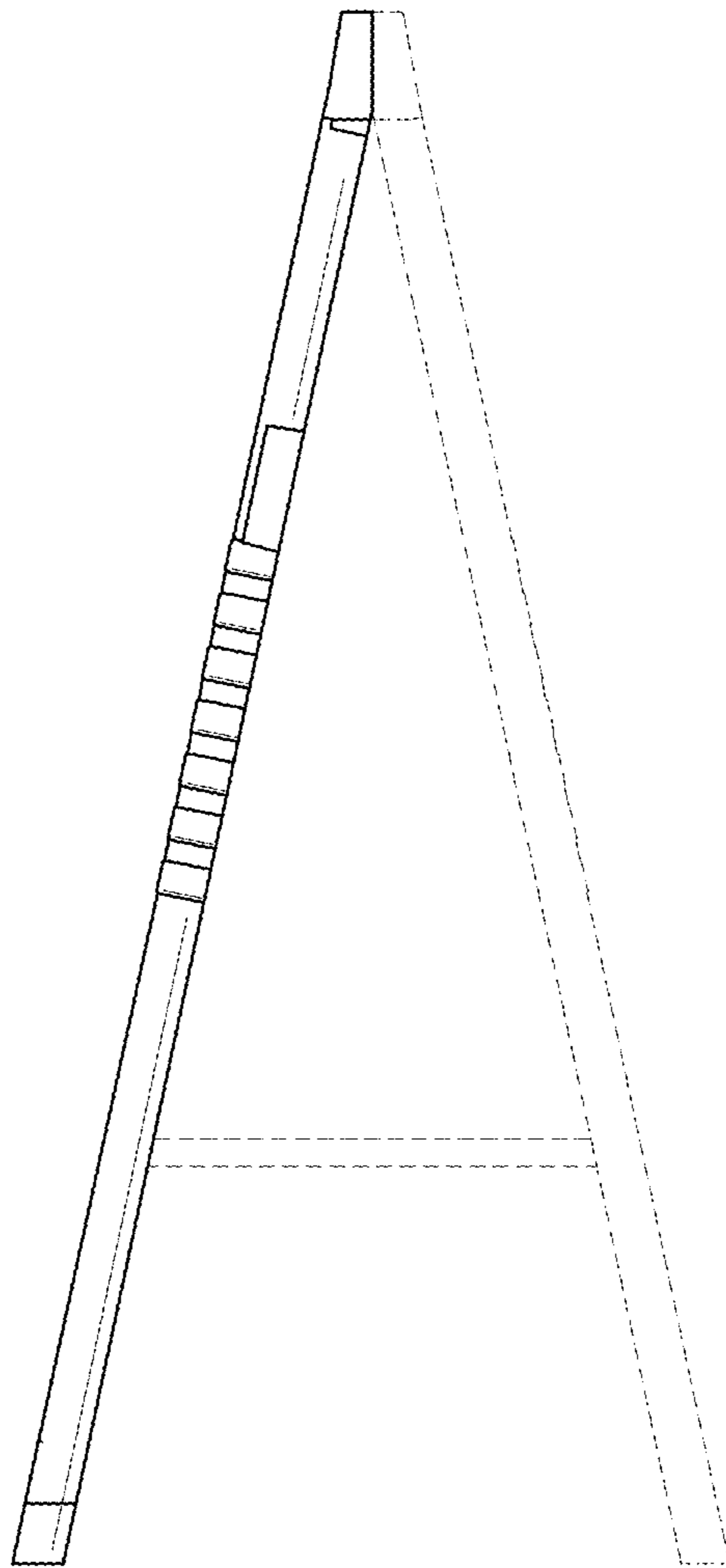


FIG. 5