

US00D791342S

(12) **United States Design Patent** (10) **Patent No.:** **US D791,342 S**  
**Teffenhart, Jr.** (45) **Date of Patent:** **\*\* Jul. 4, 2017**

(54) **BEAM JOINT** 3,143,165 A 8/1964 Lewis et al.  
3,222,841 A 12/1965 Robert et al.  
(71) Applicant: **Thomas Joseph Teffenhart, Jr.,** 3,224,154 A 12/1965 Toti et al.  
Sarasota, FL (US) 3,332,197 A 7/1967 Hinkle et al.  
3,382,639 A 5/1968 Smith et al.  
(72) Inventor: **Thomas Joseph Teffenhart, Jr.,** 3,413,775 A 12/1968 Katz et al.  
Sarasota, FL (US) 3,566,561 A 3/1971 Tozer et al.  
3,686,805 A \* 8/1972 Pofferi ..... E04F 19/06  
52/220.3

(\*\*) Term: **14 Years** 3,830,033 A 8/1974 Gahler  
3,866,364 A 2/1975 Pollard  
(21) Appl. No.: **29/501,729** 4,002,000 A 1/1977 Howard et al.  
4,057,941 A 11/1977 Schwartz  
(22) Filed: **Sep. 8, 2014** 4,774,790 A 10/1988 Hopper  
4,987,717 A 1/1991 Dameron, Jr.  
5,031,083 A 7/1991 Claesson  
**Related U.S. Application Data** 5,090,164 A 2/1992 Mische  
(60) Division of application No. 29/430,489, filed on Aug. D343,909 S 2/1994 Flynn  
27, 2012, now Pat. No. Des. 713,054, which is a 5,464,302 A 11/1995 Menchetti  
continuation of application No. 29/364,222, filed on D373,832 S \* 9/1996 Nomura ..... D25/122  
Jun. 21, 2010, now Pat. No. Des. 666,743, which is a D374,488 S 10/1996 Wang  
division of application No. 29/352,494, filed on Dec. 5,813,641 A 9/1998 Baldwin  
22, 2009, now Pat. No. Des. 620,618, which is a 5,881,508 A 3/1999 Irvine et al.  
continuation-in-part of application No. 12/015,117,  
filed on Jan. 16, 2008, now Pat. No. 7,877,962,  
application No. 29/501,729, which is a  
continuation-in-part of application No. 13/010,875,  
filed on Jan. 21, 2011, now abandoned, which is a  
continuation of application No. 12/015,117.

(51) **LOC (10) Cl.** ..... **25-02**  
(52) **U.S. Cl.**  
USPC ..... **D25/61**  
(58) **Field of Classification Search**  
USPC ..... D25/61, 119, 123, 124; 52/63, 273, 831,  
52/839, 843, 844, 845, 849  
CPC ..... E04C 3/06; E04C 3/32; E04C 2003/0417;  
E04C 2003/043; E04C 2003/0465  
See application file for complete search history.

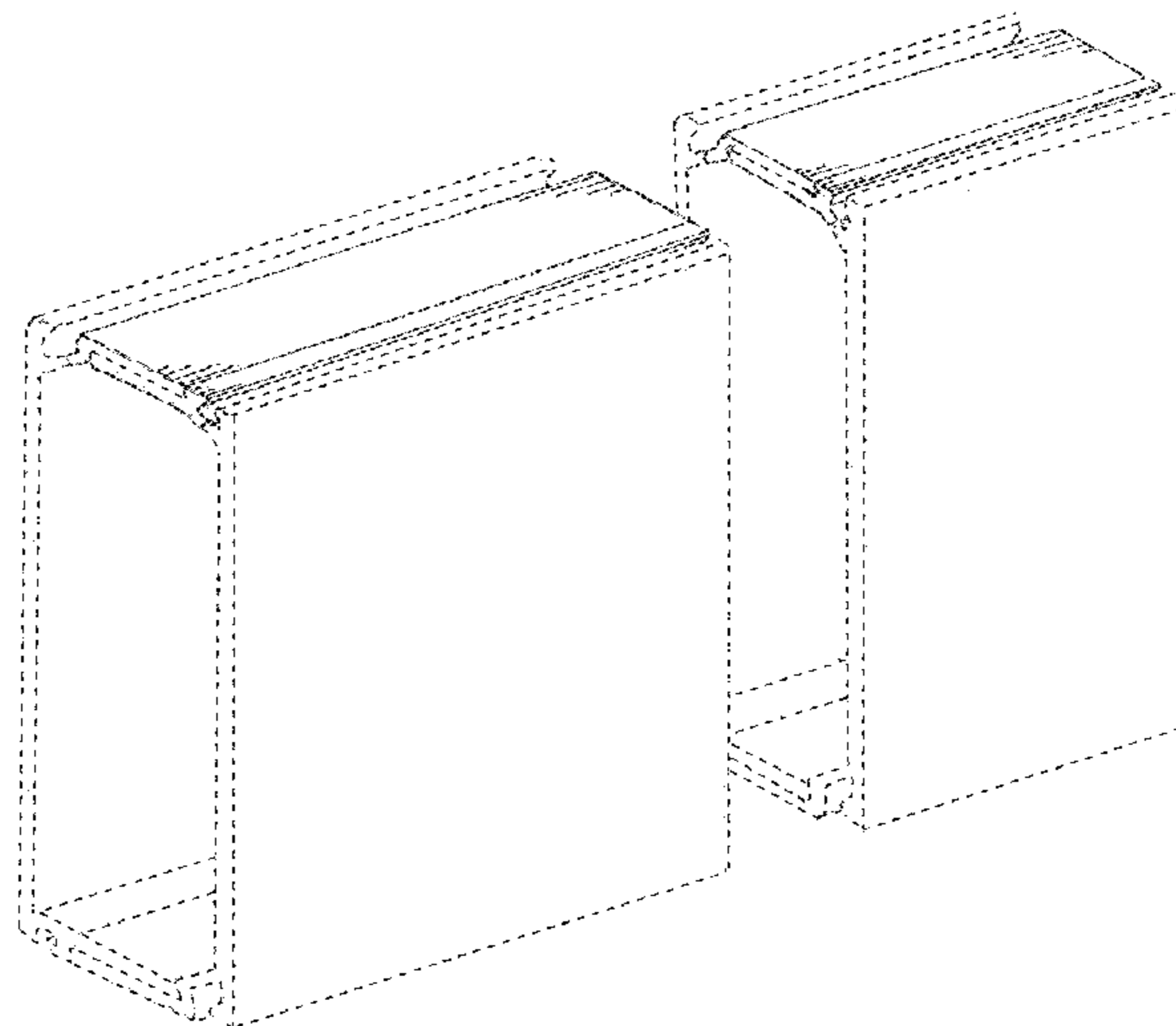
(56) **References Cited**  
U.S. PATENT DOCUMENTS  
1,997,876 A 4/1935 Sheldon et al.  
3,139,960 A 7/1964 Hammitt et al.

(Continued)  
*Primary Examiner* — Susan Bennett Hattan  
*Assistant Examiner* — Leanne Was-Englehart  
(74) *Attorney, Agent, or Firm* — Jacox, Meckstroth & Jenkins

(57) **CLAIM**  
The ornamental design for beam joint, as shown and described.

**DESCRIPTION**  
FIG. 1 is a perspective view of a beam joint; and, FIG. 2 is an end view showing the beam joint shown in FIG. 1.  
The spaced dashed broken lines depict portions of the beam joint that form no part of the claimed design.

**1 Claim, 2 Drawing Sheets**



(56)

References Cited

U.S. PATENT DOCUMENTS

D414,881 S 10/1999 Giese  
 6,092,348 A 7/2000 Dombchik et al.  
 6,357,196 B1 3/2002 McCombs  
 6,385,941 B1 5/2002 Power, Jr. et al.  
 6,405,504 B1\* 6/2002 Richardson ..... E06B 1/36  
 52/211  
 6,430,888 B1 8/2002 Dombchik et al.  
 6,601,362 B1 8/2003 Prince  
 6,647,692 B1\* 11/2003 Roder ..... E04C 3/29  
 428/36.9  
 6,668,495 B1 12/2003 Prince  
 6,755,004 B1 6/2004 Power, Jr. et al.  
 D493,235 S 7/2004 Strassle  
 6,826,885 B2\* 12/2004 Raskin ..... E04C 3/06  
 403/393  
 D531,324 S 10/2006 Takagi  
 7,478,504 B2 1/2009 Huebner et al.  
 7,568,323 B2 8/2009 Shelton et al.  
 7,743,538 B2 6/2010 Parenti et al.  
 D620,618 S\* 7/2010 Teffenhart, Jr. .... D25/123  
 D620,619 S\* 7/2010 Teffenhart, Jr. .... D25/123  
 7,870,699 B2 1/2011 Waggoner  
 7,877,962 B2\* 2/2011 Teffenhart, Jr. .... E04C 3/06  
 52/273

D636,095 S\* 4/2011 Teffenhart, Jr. .... D25/124  
 D666,743 S\* 9/2012 Teffenhart, Jr. .... D25/124  
 D670,474 S\* 11/2012 Koch ..... D34/35  
 8,443,576 B2 5/2013 Petta  
 8,756,900 B1\* 6/2014 Hudson ..... E04C 3/07  
 52/844  
 D713,054 S\* 9/2014 Teffenhart, Jr. .... D25/61  
 D731,678 S\* 6/2015 Geldart ..... D25/126  
 D733,937 S\* 7/2015 Hillstrom ..... D25/122  
 2002/0046539 A1 4/2002 Schulz  
 2002/0121068 A1 9/2002 Ng  
 2003/0145555 A1\* 8/2003 Raskin ..... E04C 3/06  
 52/844  
 2006/0179766 A1 8/2006 Waggoner  
 2007/0074480 A1 4/2007 Kleila et al.  
 2007/0266671 A1 11/2007 Chromy  
 2008/0016816 A1 1/2008 Kim  
 2008/0168738 A1 7/2008 Shelton et al.  
 2008/0250737 A1\* 10/2008 Hall ..... E04C 3/06  
 52/223.9  
 2011/0036050 A1\* 2/2011 Callahan ..... E04C 3/07  
 52/843  
 2011/0036051 A1\* 2/2011 Callahan ..... E04C 3/07  
 52/843  
 2011/0036052 A1\* 2/2011 Callahan ..... E04C 3/07  
 52/843

\* cited by examiner

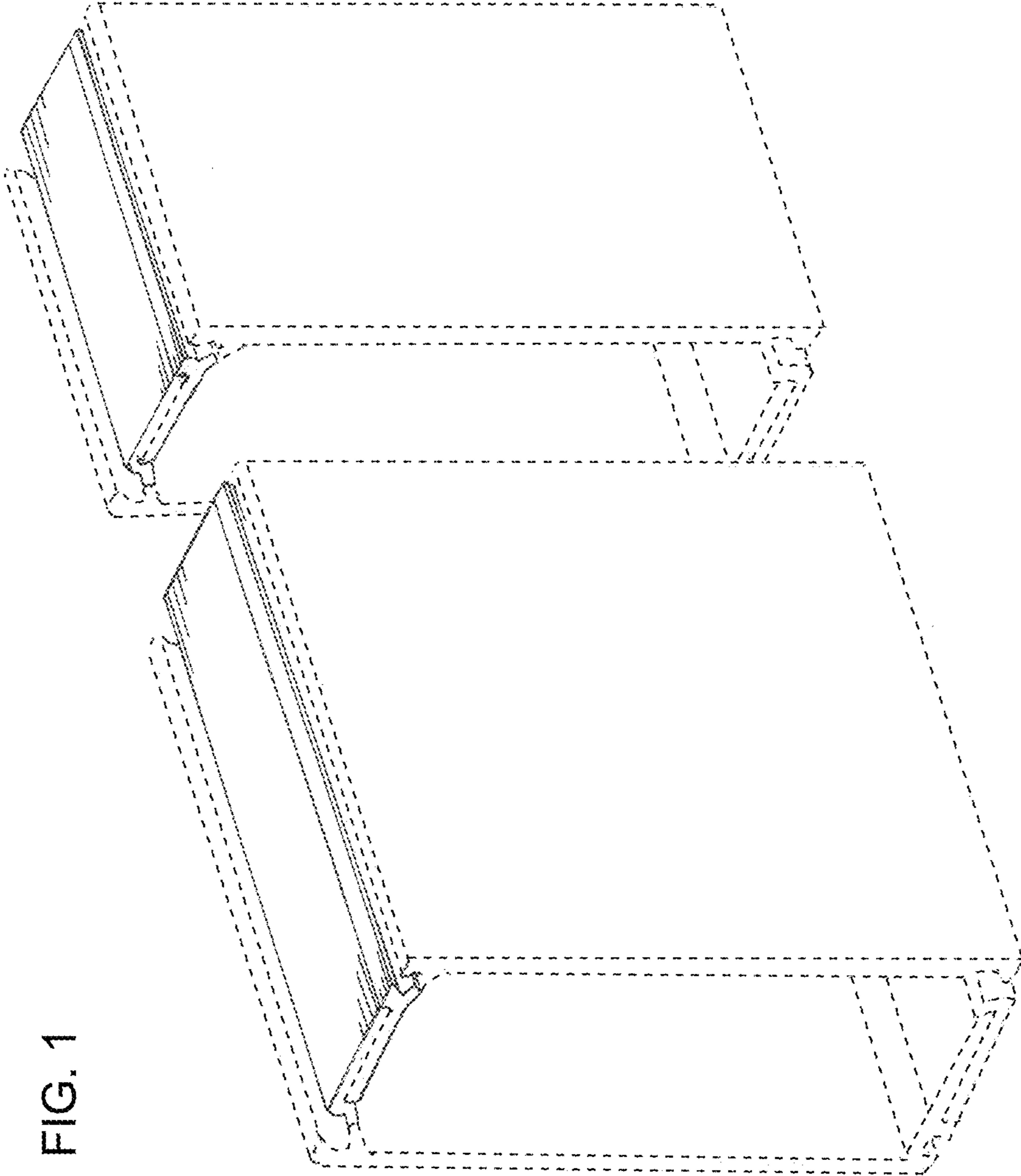


FIG. 1

FIG. 2

