



US00D791340S

(12) **United States Design Patent** (10) **Patent No.:** **US D791,340 S**  
**Schaffer** (45) **Date of Patent:** **\*\* Jul. 4, 2017**

(54) **TEMPORARY INSTRUMENT HOLDER,  
SHARPS PROTECTOR, PASSING AID AND  
SAFETY TRANSPORT APPARATUS**

(71) Applicant: **Michael H. Schaffer**, Coral Springs, FL  
(US)

(72) Inventor: **Michael H. Schaffer**, Coral Springs, FL  
(US)

(73) Assignee: **StarCap Medical, LLC**, Parkland, FL  
(US)

(\*) Notice: This patent is subject to a terminal disclaimer.

(\*\*) Term: **14 Years**

(21) Appl. No.: **29/525,812**

(22) Filed: **May 4, 2015**

**Related U.S. Application Data**

(60) Division of application No. 29/504,400, filed on Oct. 6, 2014, now Pat. No. Des. 728,819, and a continuation-in-part of application No. 13/363,515, filed on Feb. 1, 2012, now Pat. No. 8,852,158.

(51) **LOC (10) Cl.** ..... **24-01**

(52) **U.S. Cl.**  
USPC ..... **D24/232**

(58) **Field of Classification Search**

USPC ..... D24/232, 107-108, 112, 128-130;  
206/364-366; 604/192-195, 196-198,  
604/263

CPC ..... A61M 5/3202; A61M 5/3271; A61M  
5/3213; A61M 5/321; A61M 2005/3254;  
A61M 5/32; A61M 5/3216; A61M 5/008

See application file for complete search history.

(56) **References Cited**

U.S. PATENT DOCUMENTS

|           |      |         |                 |         |
|-----------|------|---------|-----------------|---------|
| 4,717,386 | A *  | 1/1988  | Simmons         | 604/192 |
| D302,295  | S *  | 7/1989  | Hanifl et al.   | D24/130 |
| 5,037,400 | A *  | 8/1991  | Curry           | 604/192 |
| D320,456  | S *  | 10/1991 | Grossman        | D24/130 |
| 5,279,581 | A *  | 1/1994  | Firth et al.    | 604/198 |
| 5,334,173 | A *  | 8/1994  | Armstrong, Jr.  | 604/263 |
| 6,279,743 | B1 * | 8/2001  | Ballard et al.  | 206/364 |
| 7,097,637 | B2 * | 8/2006  | Triplett et al. | 604/192 |

\* cited by examiner

*Primary Examiner* — Wan Laymon

(74) *Attorney, Agent, or Firm* — Nancy J. Flint, Esq.;  
Nancy J. Flint, Attorney At Law, P.A.

(57) **CLAIM**

The ornamental design for a temporary instrument holder, sharps protector, passing aid and safety transport apparatus, as shown and described.

**DESCRIPTION**

FIG. 1 is a front perspective view of a temporary instrument holder, sharps protector, passing aid and safety transport apparatus showing my new design;

FIG. 2 is a left side view thereof;

FIG. 3 is a front view thereof;

FIG. 4 is a back view thereof;

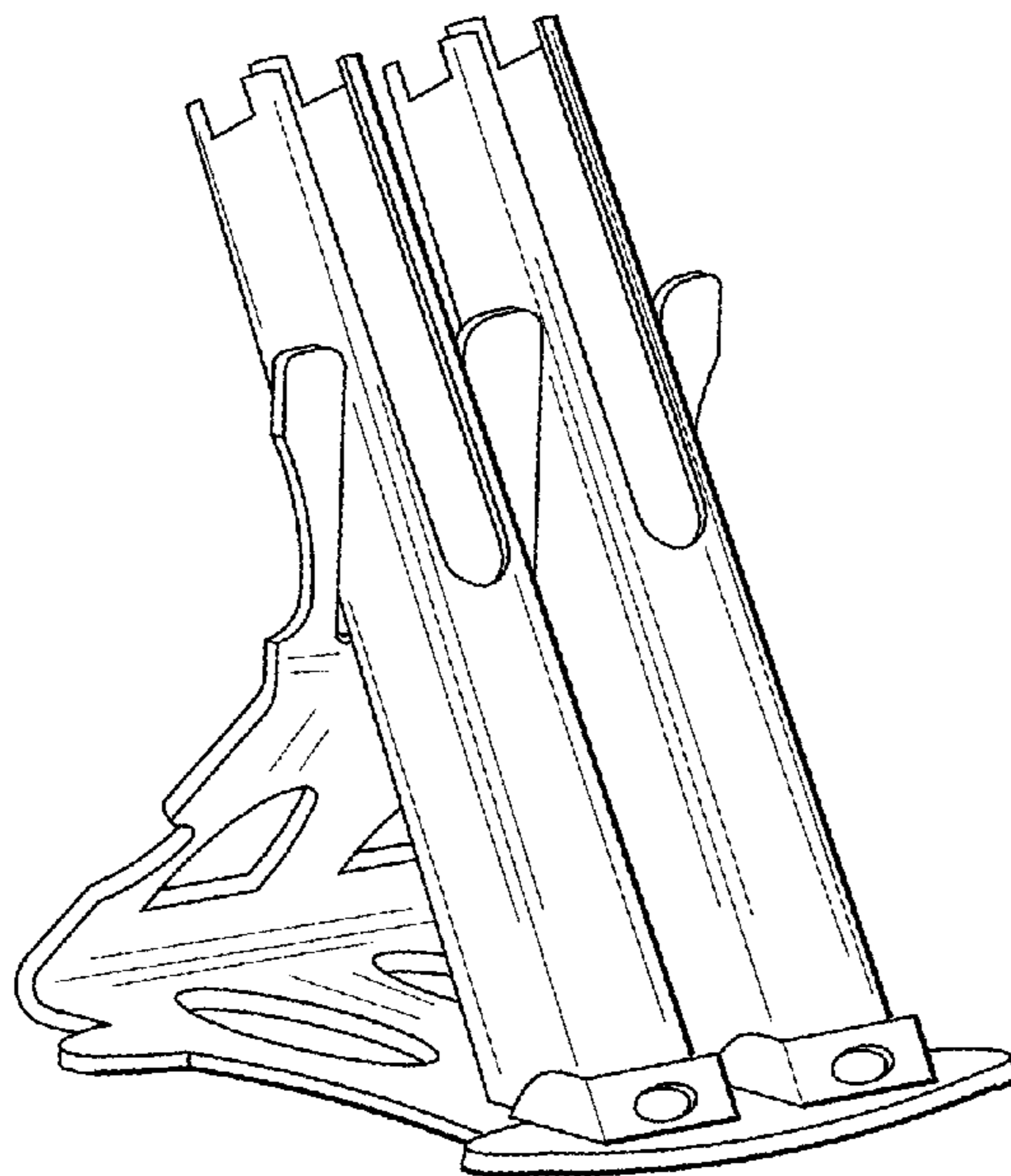
FIG. 5 is a top view thereof;

FIG. 6 is a bottom view thereof; and,

FIG. 7 is another front perspective thereof.

Any broken lines illustrative of environmental structure in the drawings are not part of the design sought to be patented.

**1 Claim, 4 Drawing Sheets**



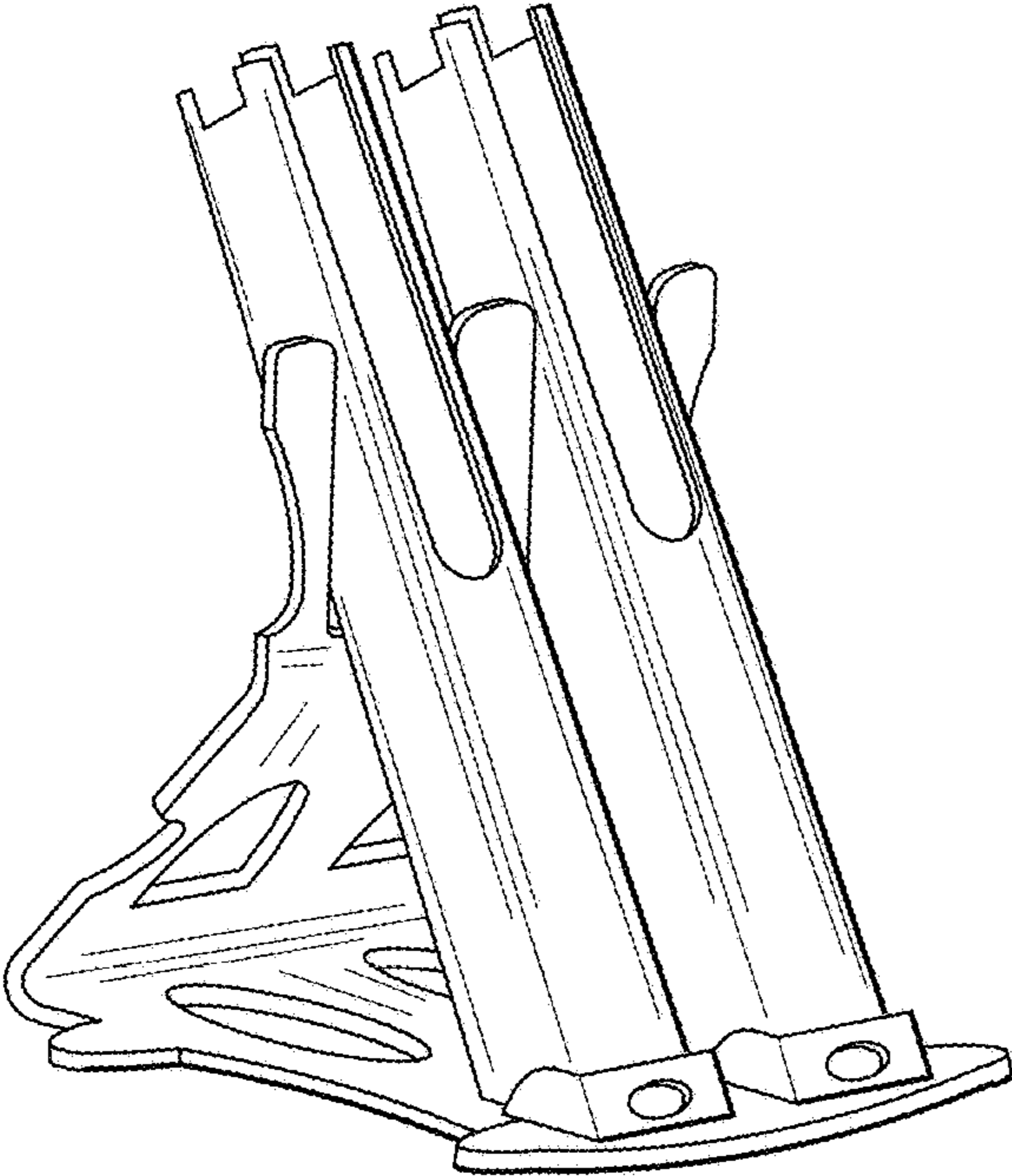


Fig. 1

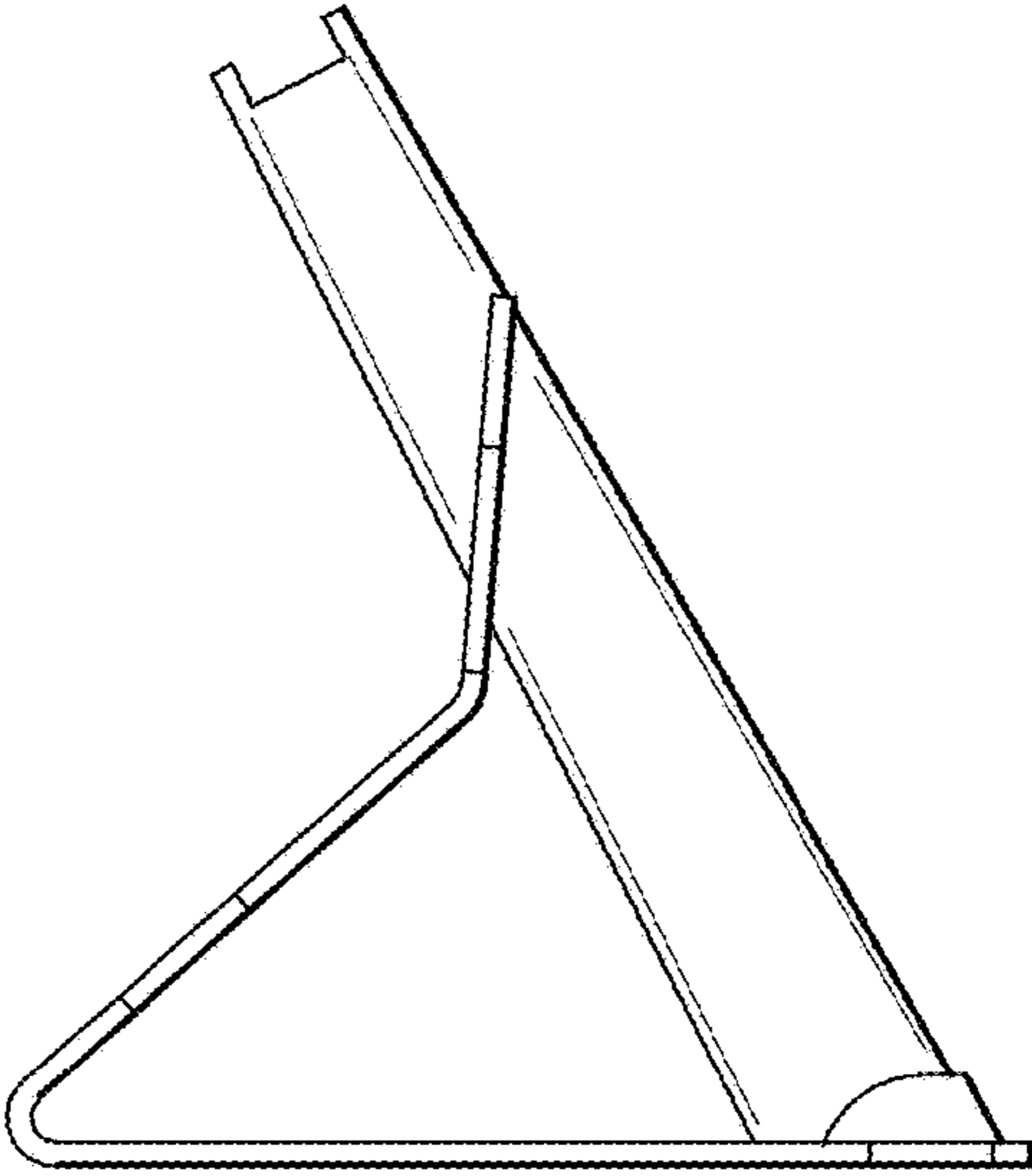


Fig. 2

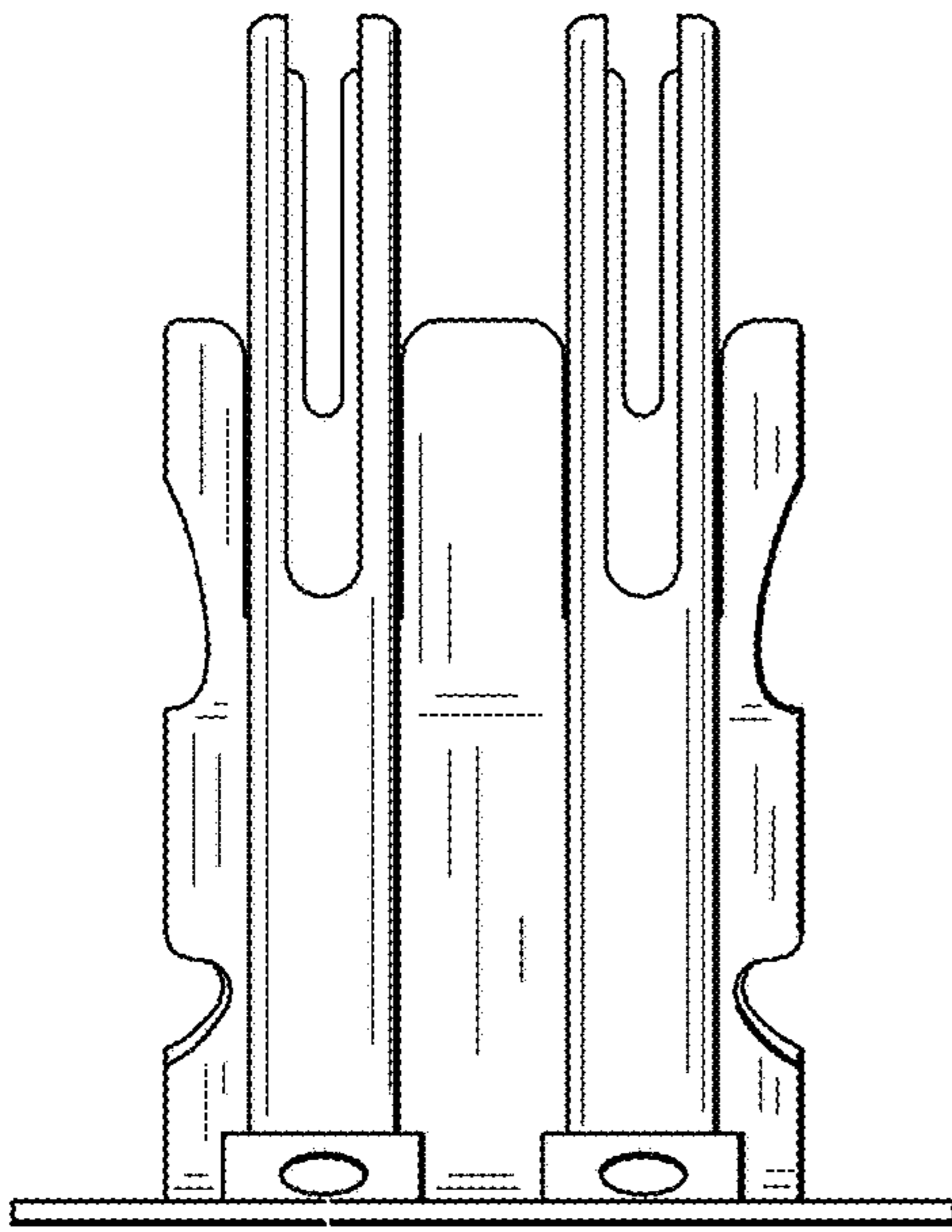


Fig. 3

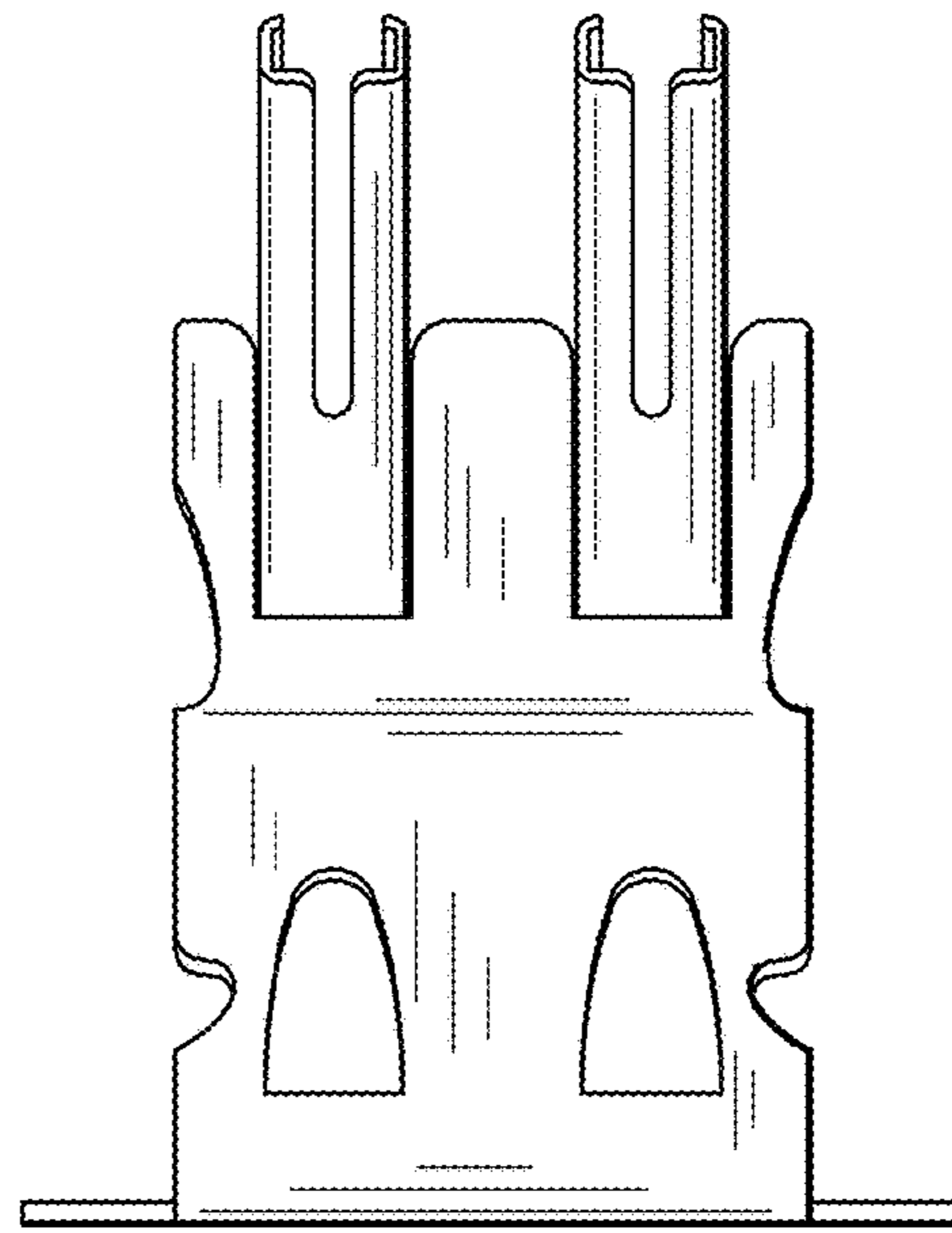


Fig. 4

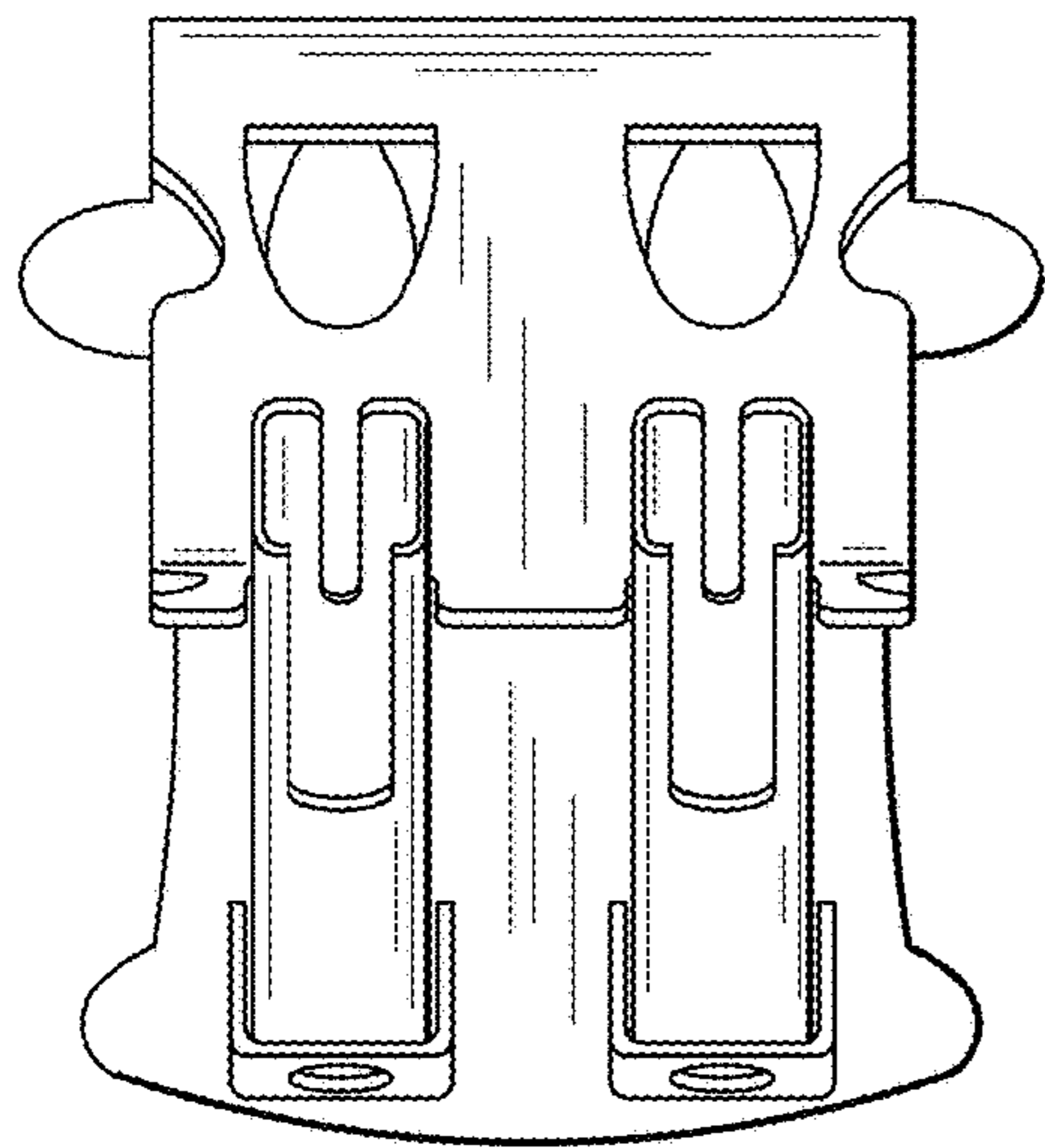


Fig. 5

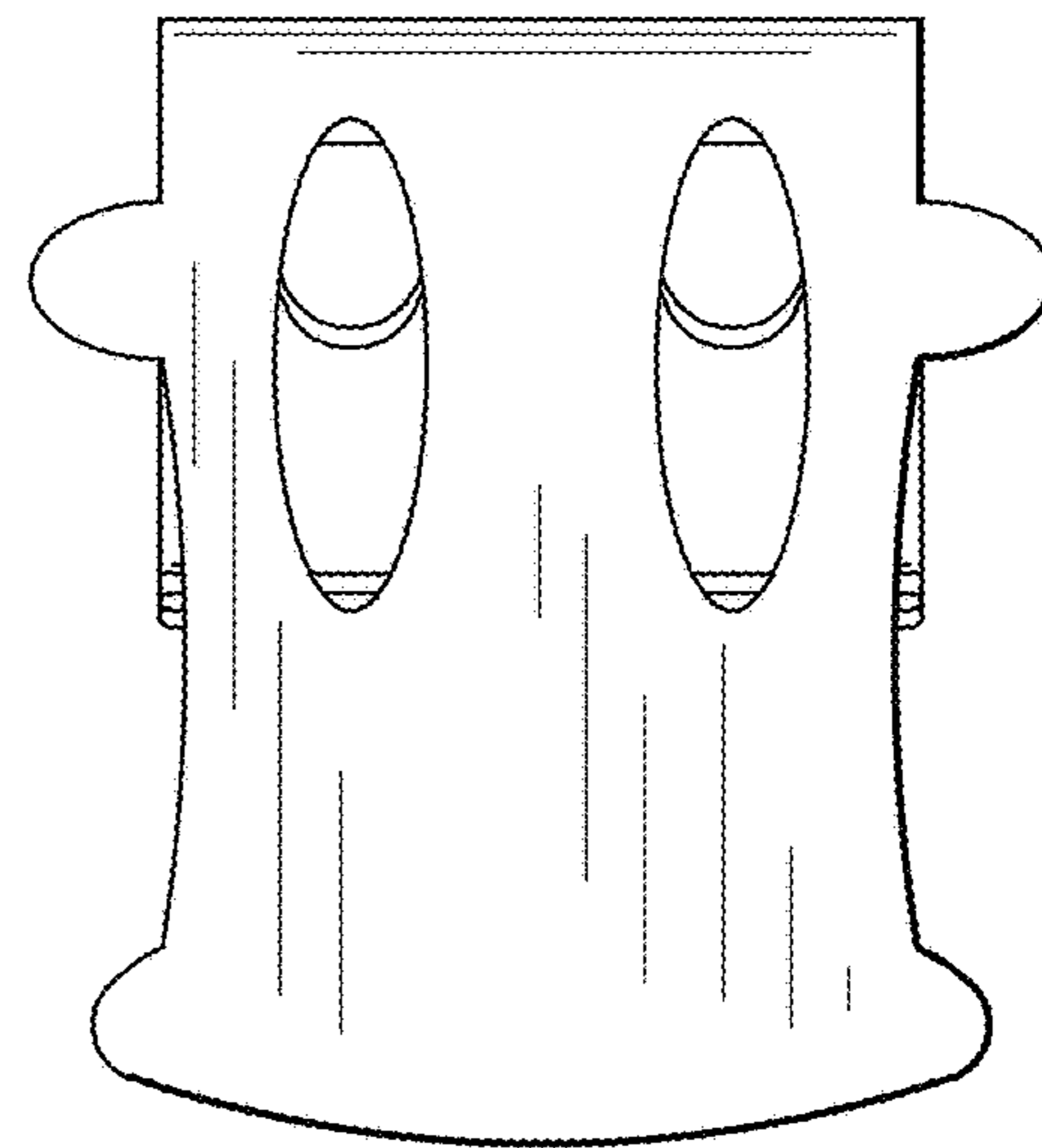


Fig. 6

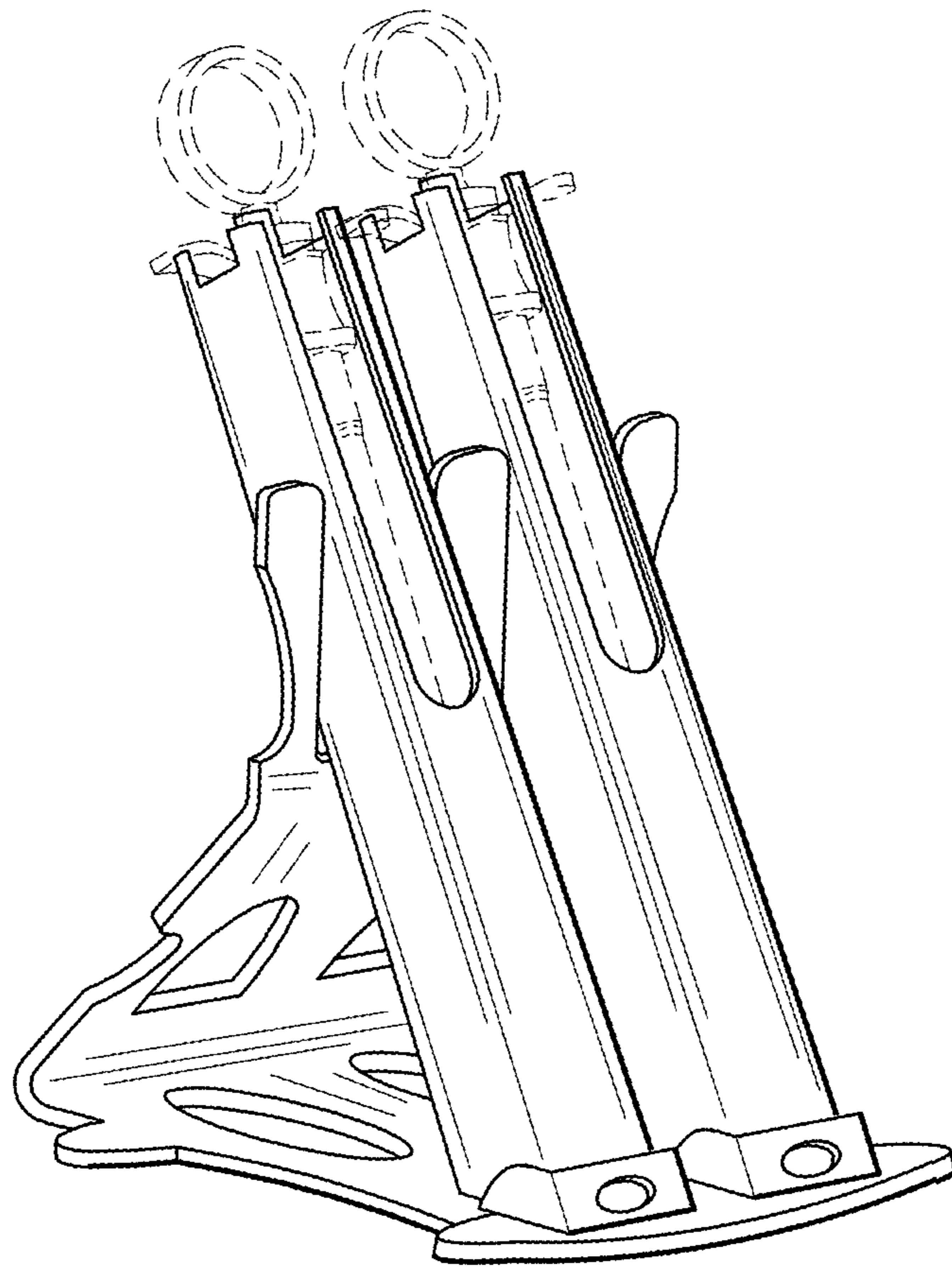


Fig. 7