



US00D791337S

(12) **United States Design Patent** (10) **Patent No.:** **US D791,337 S**  
**Taylor et al.** (45) **Date of Patent:** **\*\* Jul. 4, 2017**

- (54) **TUBE RACK TOOL** D466,219 S \* 11/2002 Wynschenk ..... D24/227
- (71) Applicant: **BioFire Defense, LLC**, Salt Lake City, UT (US) D628,305 S \* 11/2010 Gorrec ..... D24/229
- (72) Inventors: **Logan M. Taylor**, West Haven, UT (US); **Richard David Abbott**, Draper, UT (US) 8,142,740 B2 3/2012 Self et al.
- (73) Assignee: **BioFire Defense, LLC**, Salt Lake City, UT (US) 8,430,251 B2 4/2013 Fry et al.
- (\*\*) Term: **15 Years** D686,749 S \* 7/2013 Trump ..... D24/230
- (21) Appl. No.: **29/555,675** D710,024 S \* 7/2014 Guo ..... D24/230
- (22) Filed: **Feb. 24, 2016** D729,404 S \* 5/2015 Teich ..... D24/230
- (56) **References Cited** 2002/0108917 A1 \* 8/2002 Maruyama ..... B01L 9/06
- U.S. PATENT DOCUMENTS 2005/0236346 A1 \* 10/2005 Whitney ..... B01L 9/06
- 3,443,396 A 5/1969 Ziolkowski et al. 211/74
- 3,627,170 A 12/1971 Pulliam et al. 211/74
- 3,915,296 A 10/1975 Spencer
- 4,124,122 A 11/1978 Emmitt
- 4,453,639 A 6/1984 Sharma
- 5,632,388 A 5/1997 Morrison et al.

(Continued)

**OTHER PUBLICATIONS**

International Search Report and Written Opinion for PCT/US16/17620 dated Apr. 19, 2016.

(Continued)

*Primary Examiner* — Susan Bennett Hattan  
*Assistant Examiner* — Rebecca Tsehaye  
(74) *Attorney, Agent, or Firm* — Workman Nydegger

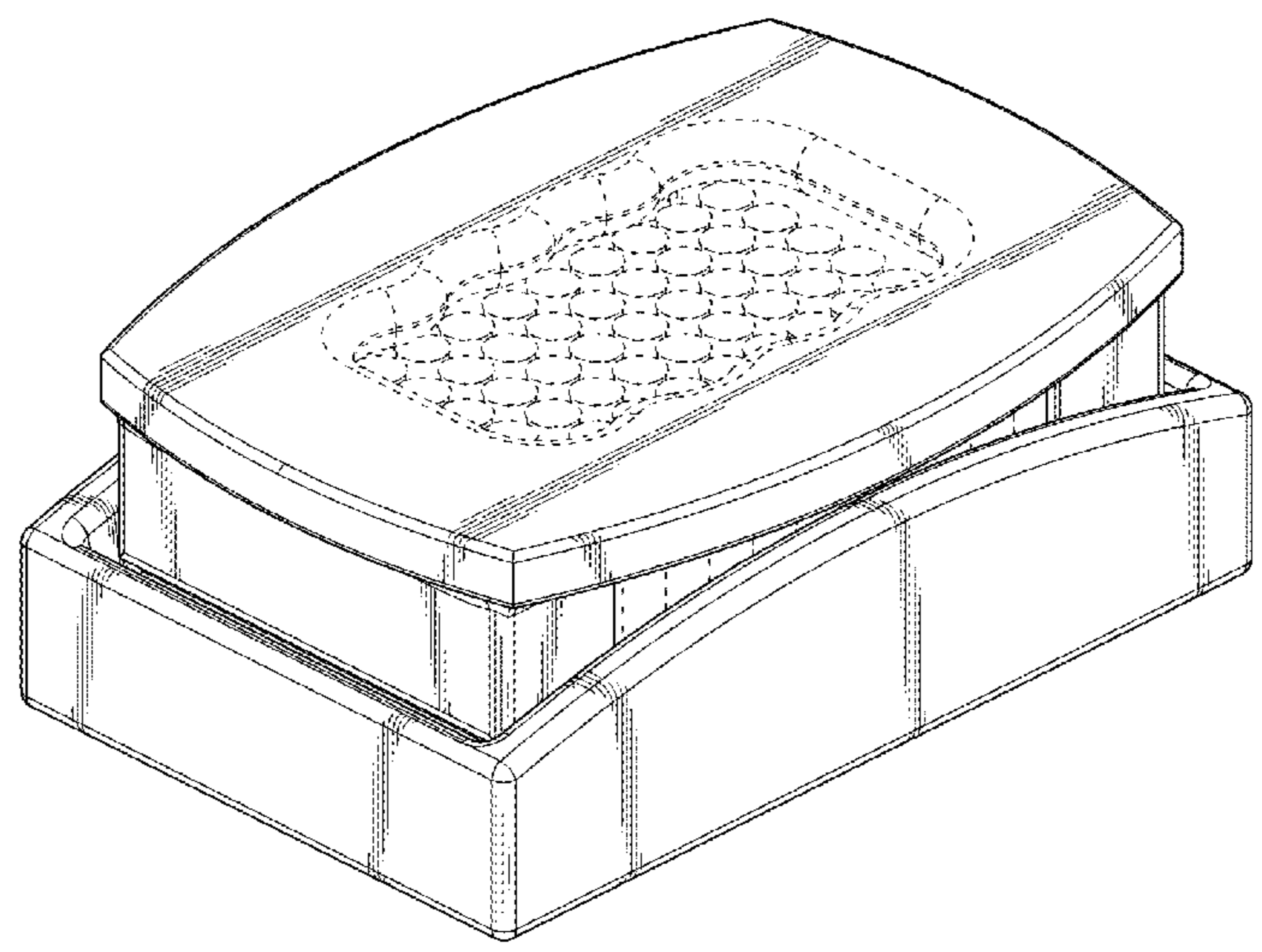
(57) **CLAIM**

The ornamental design for a tube rack tool, as shown and described.

**DESCRIPTION**

FIG. 1 is a perspective view of a tube rack tool; FIG. 2 is a perspective exploded view of the base and top portion of a tube rack tool; FIG. 3 is a front elevation exploded view thereof; FIG. 4 is a rear elevation exploded view thereof; FIG. 5 is a right side elevation exploded view thereof; FIG. 6 is a left side elevation exploded view thereof; FIG. 7 is a bottom plan exploded view thereof; and, FIG. 8 is a top plan exploded view thereof. The broken lines depicted in FIGS. 1-8 illustrate portions of the tube rack tool that form no part of the claimed design.

**1 Claim, 8 Drawing Sheets**



(56)

**References Cited**

U.S. PATENT DOCUMENTS

2007/0297950 A1\* 12/2007 Hochstrasser ..... B01L 3/50853  
422/400  
2009/0293643 A1 12/2009 Powell et al.  
2017/0001198 A1\* 1/2017 Taylor ..... B01L 9/06

OTHER PUBLICATIONS

Eppendorf Gapping Aid, Thermal Scientific, Inc. accessed as early as Jul. 19, 2016 <http://www.thermalscientific.com/general-lab-supplies/molecular-technology/molecular-capping-aid/eppendorf-capping-aid>.

Micronic Tube Selector: rapidly and securely picking of sample storage tubes! Accessed as early as Jul. 19, 2016.

U.S. Appl. No. 15/110,172, filed Apr. 4, 2017, Office Action.

\* cited by examiner

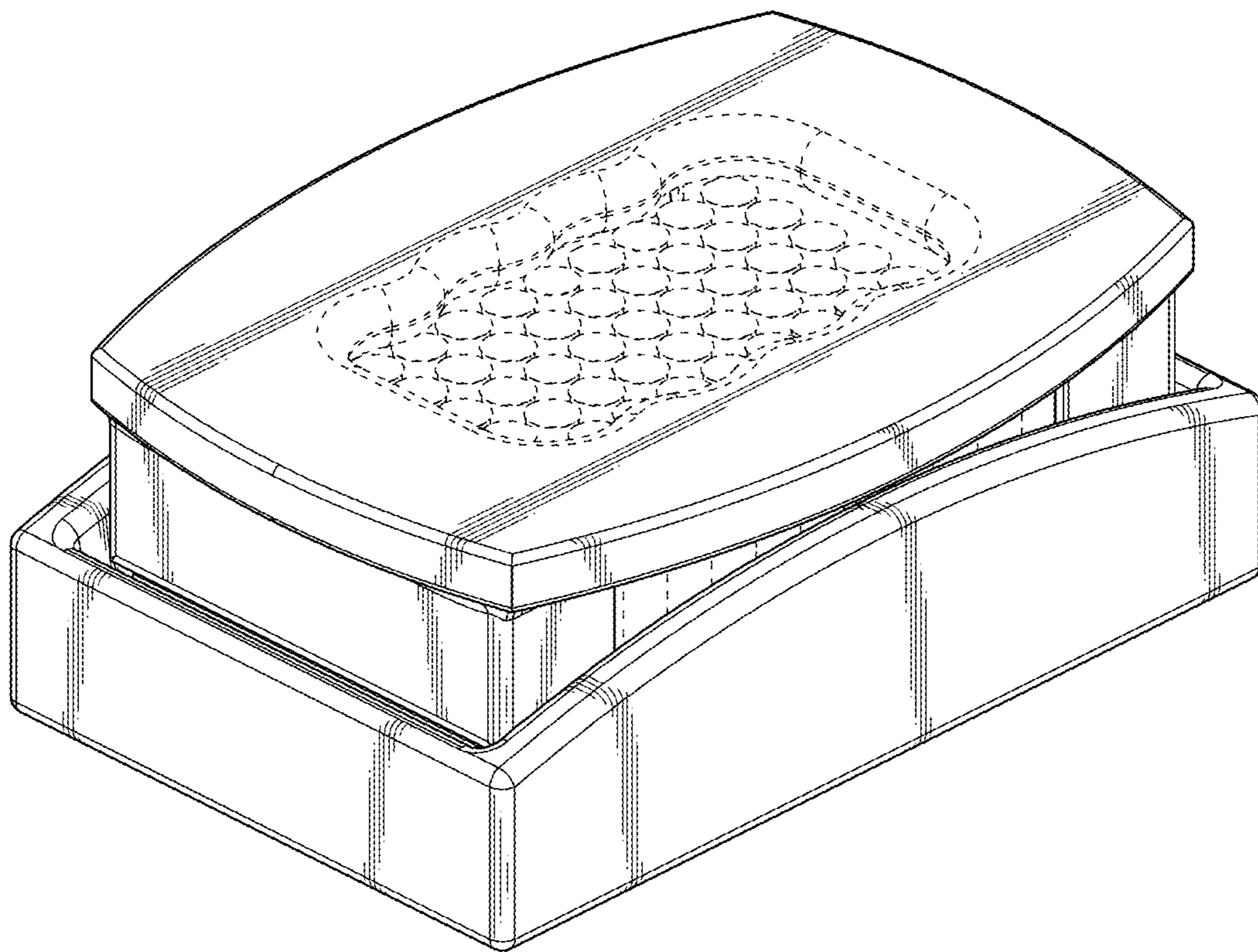


FIG. 1

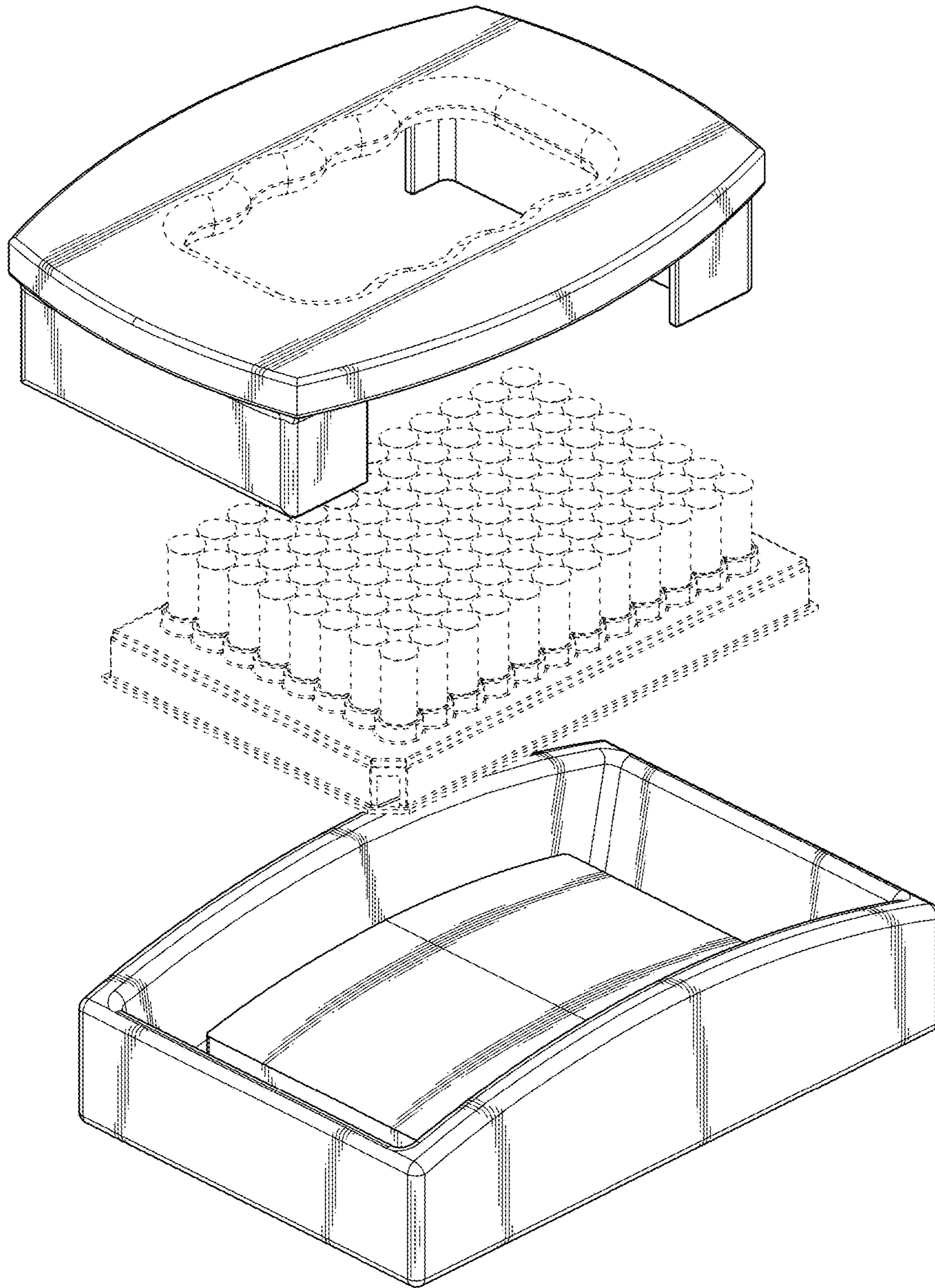


FIG. 2

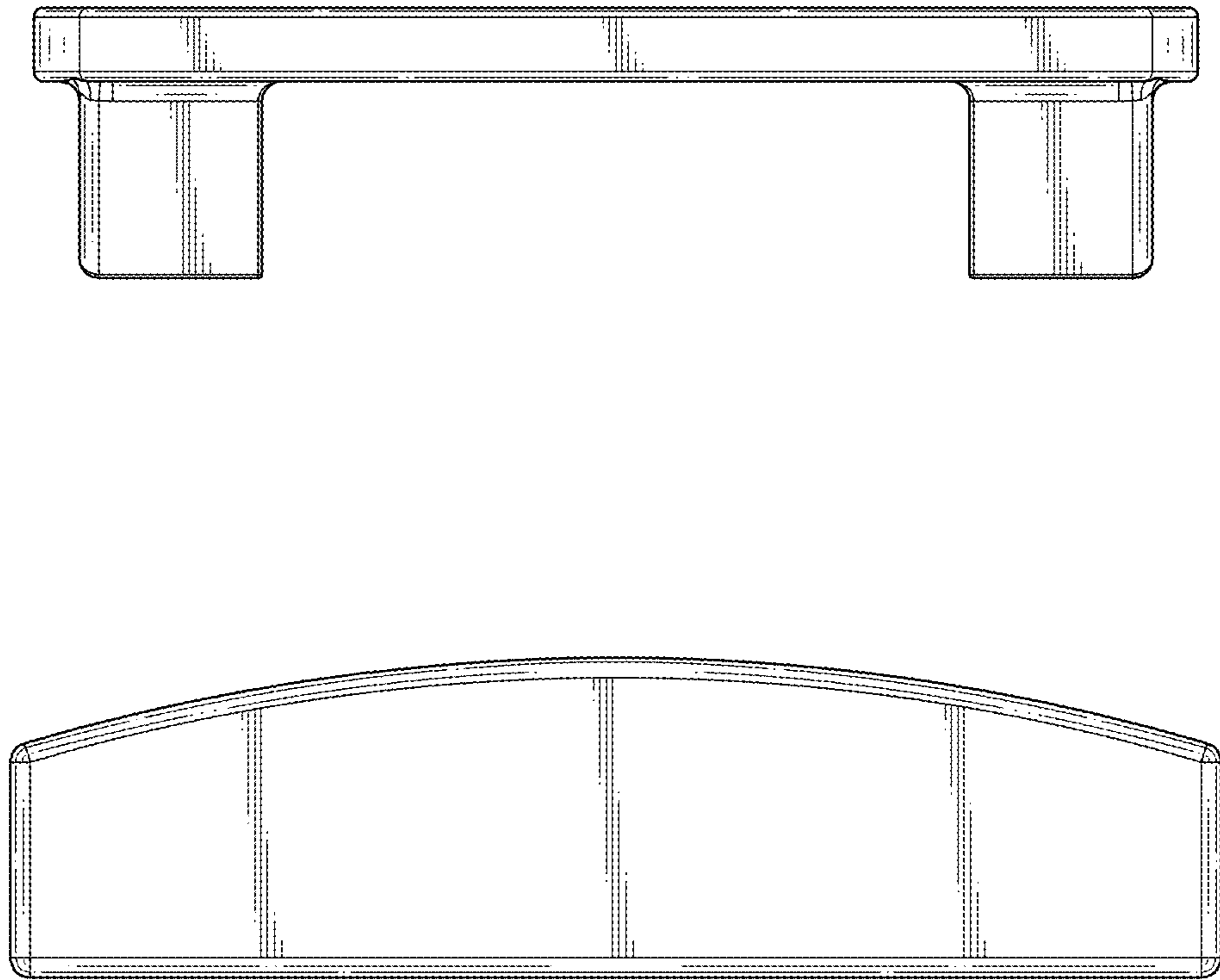


FIG. 3

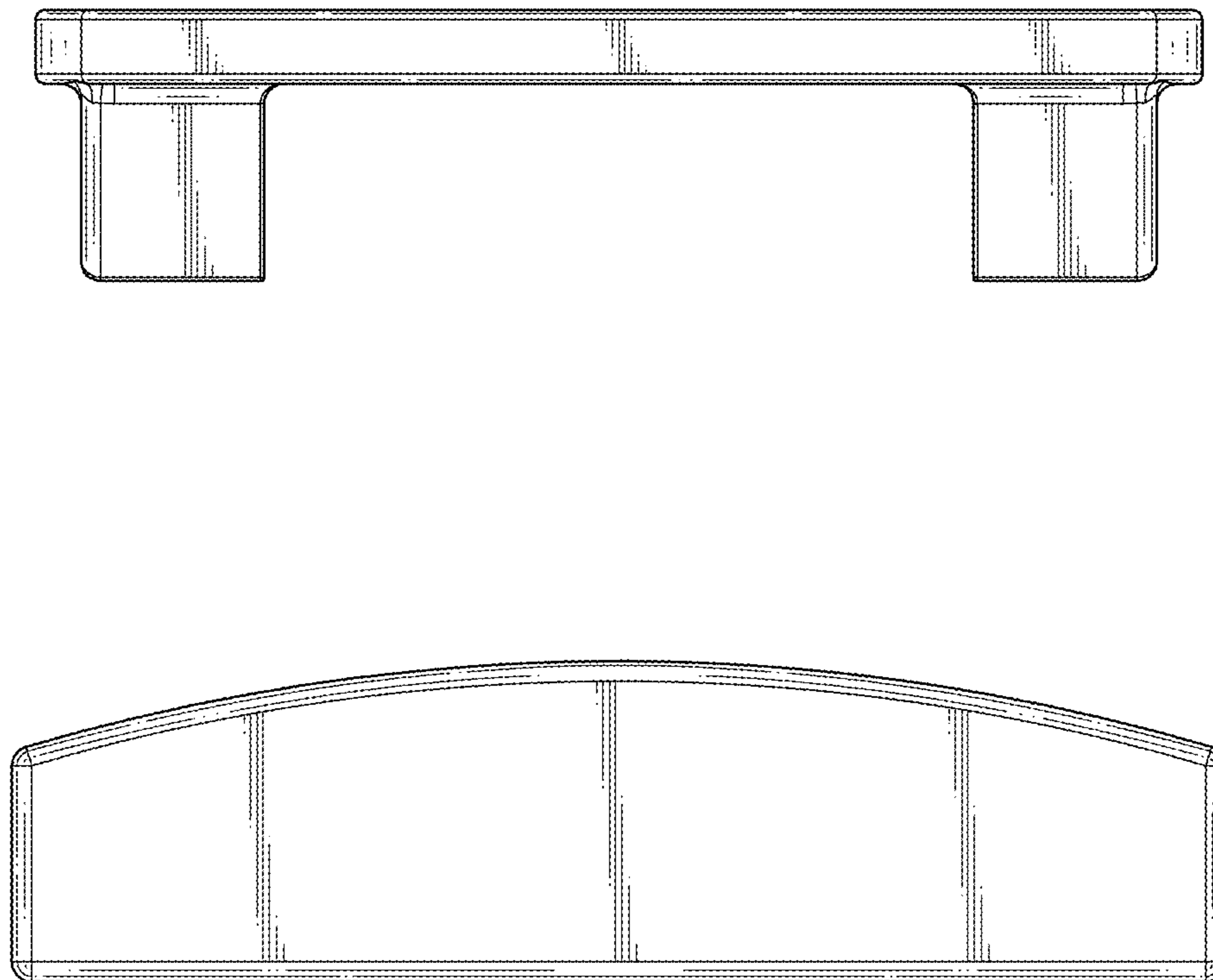


FIG. 4

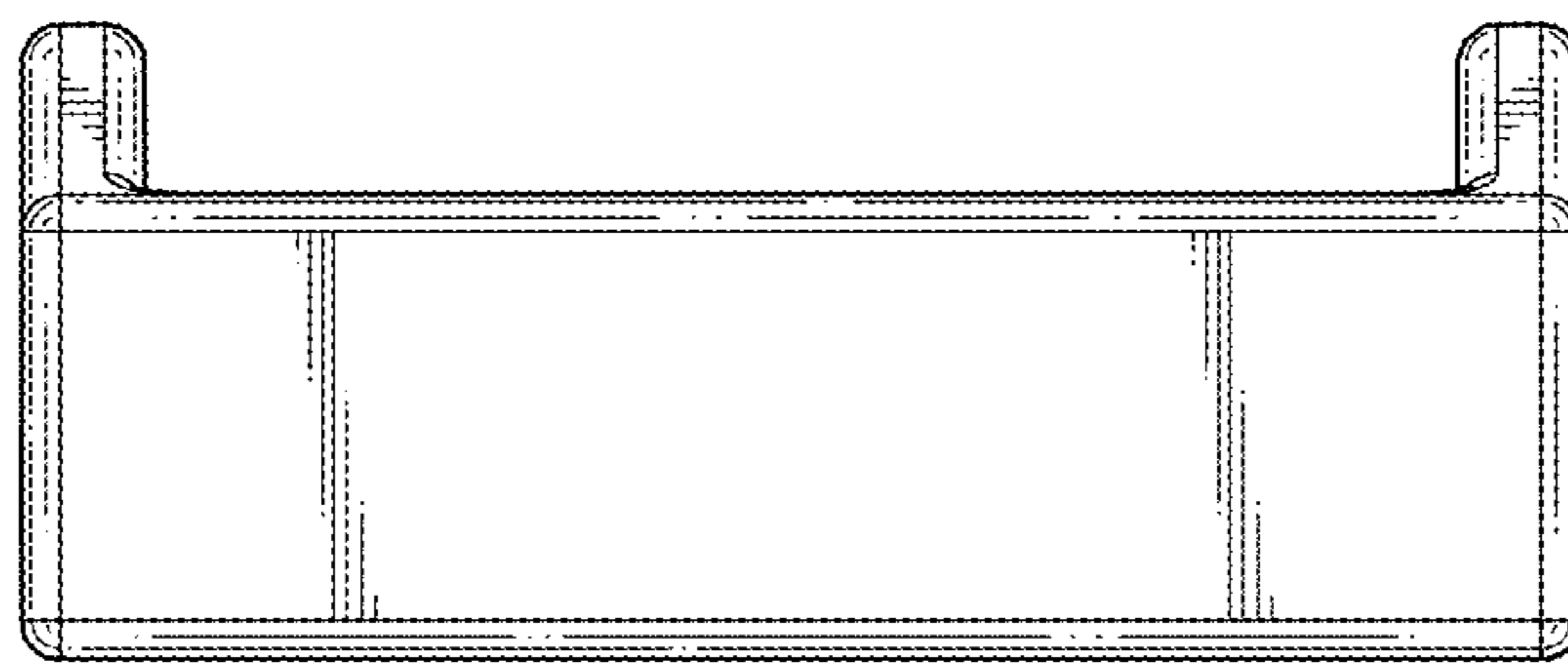
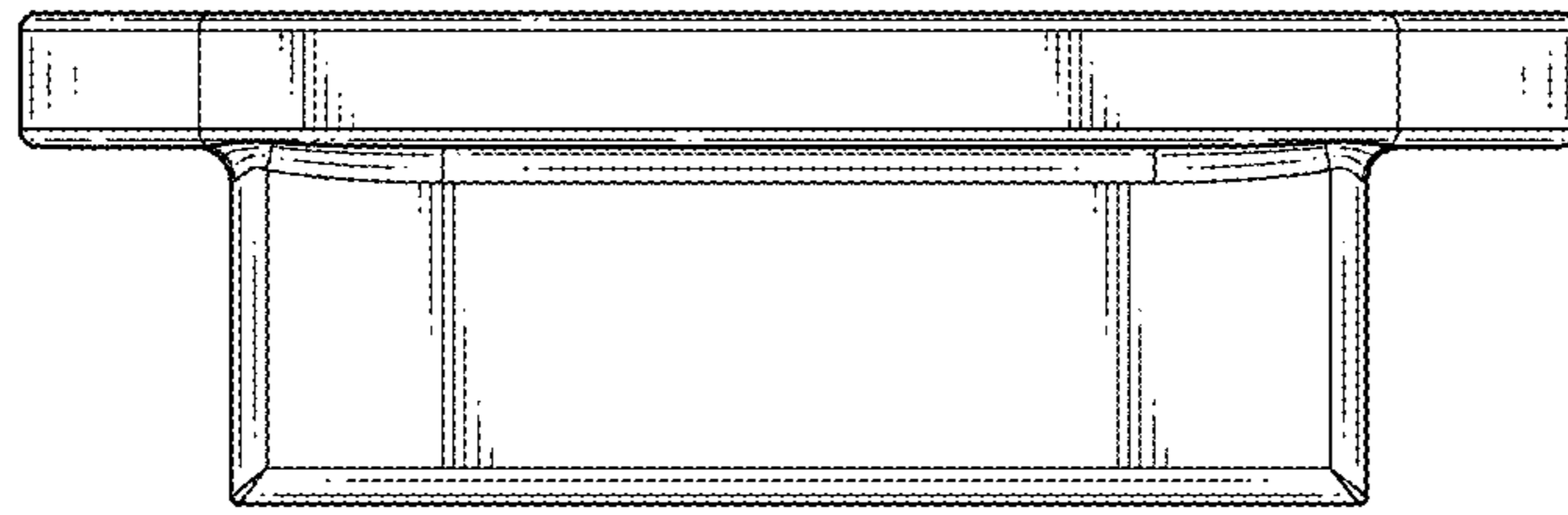


FIG. 5

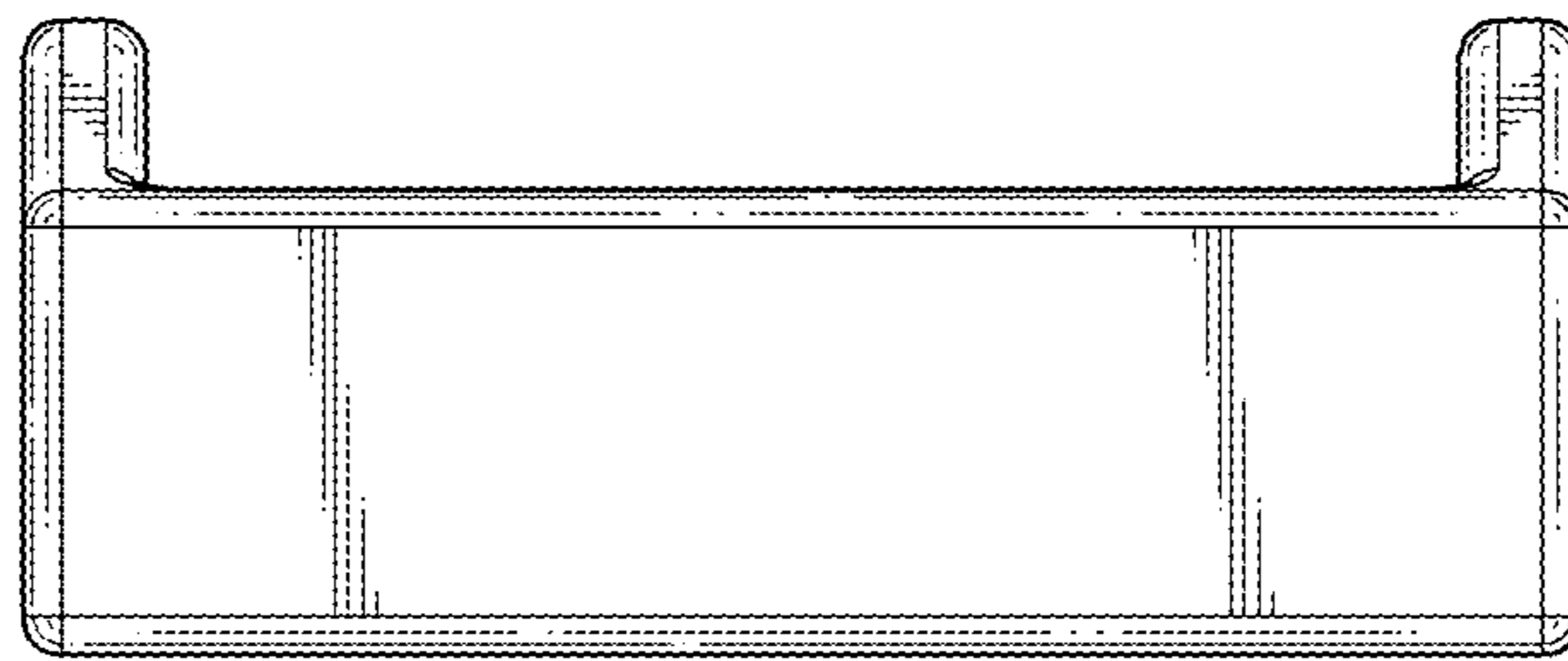
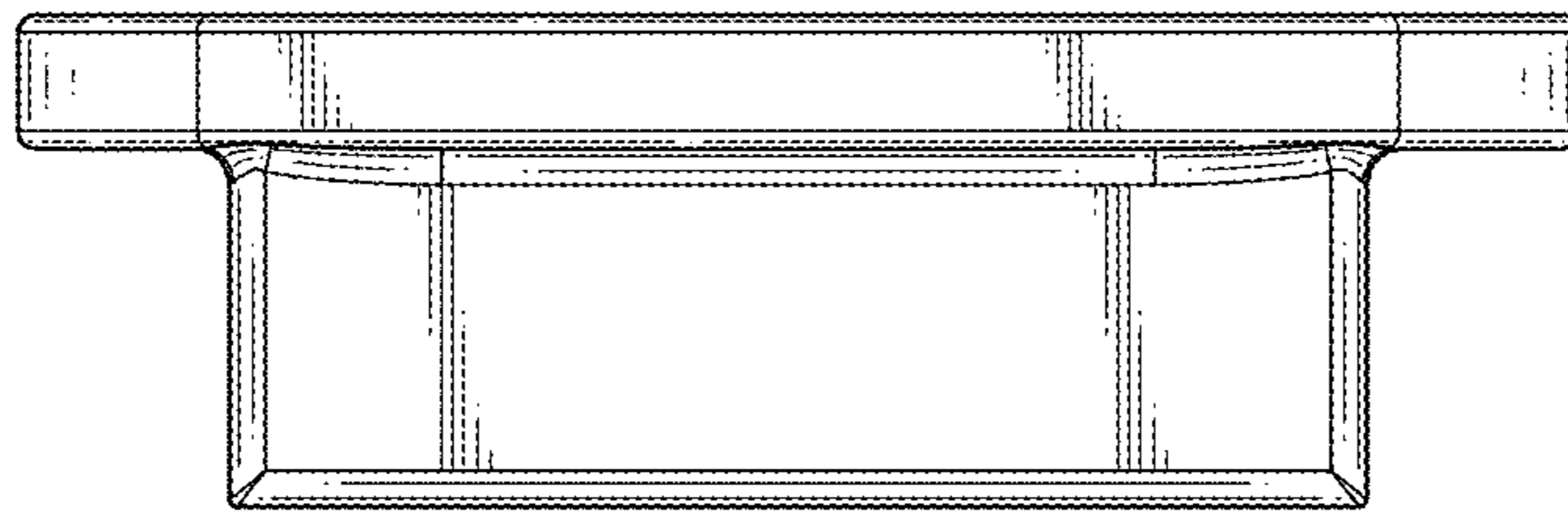


FIG. 6



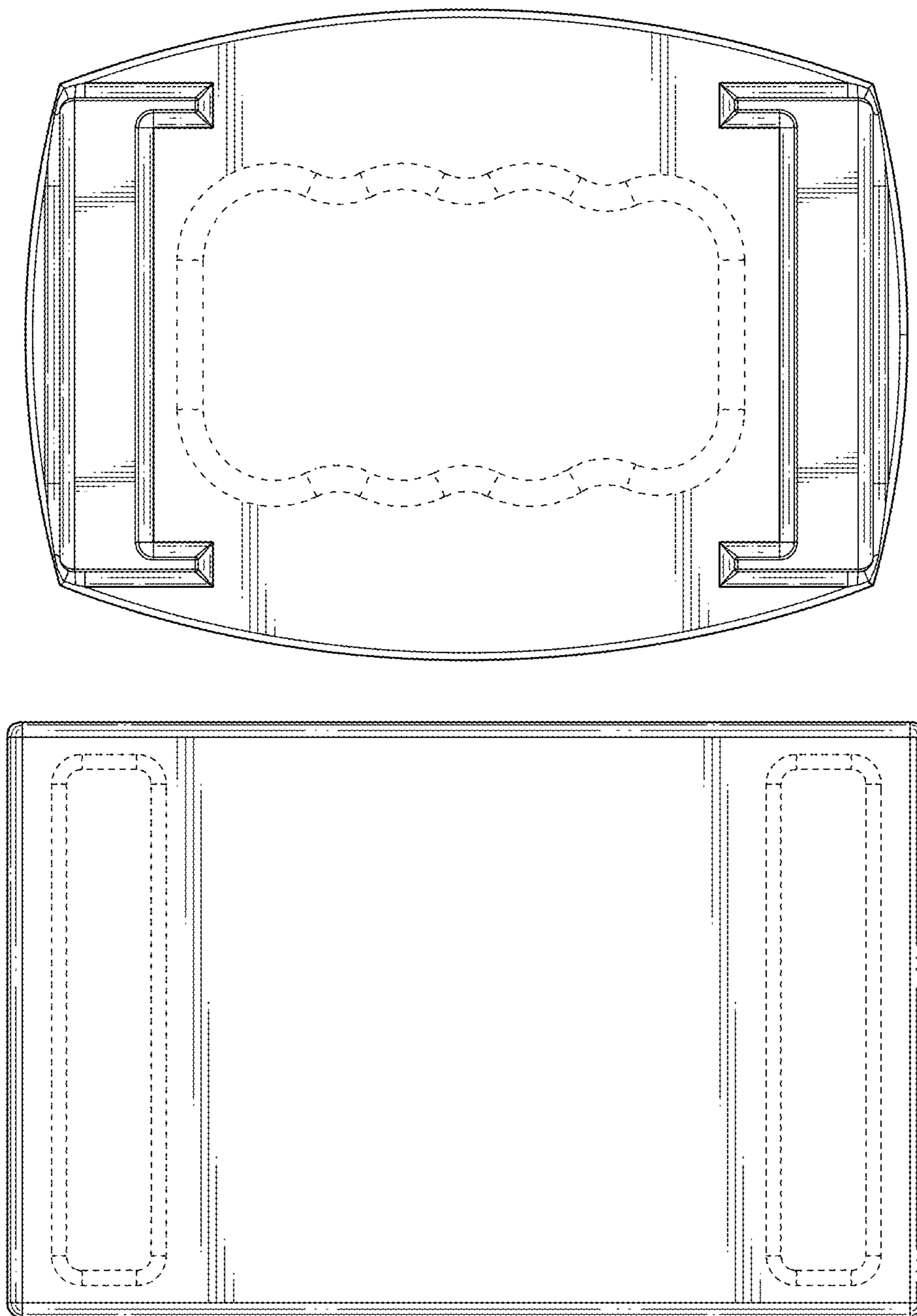


FIG. 7

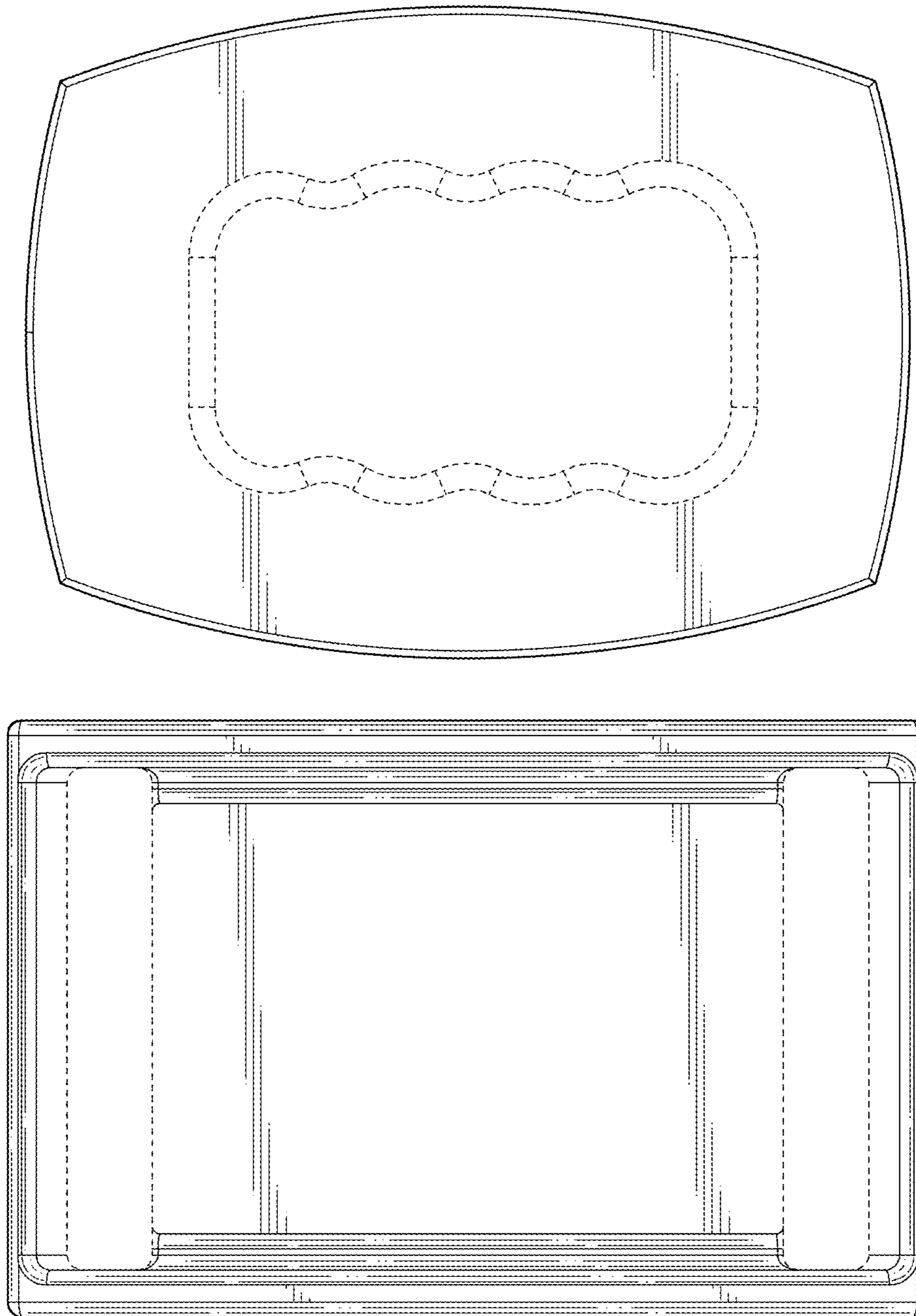


FIG. 8