



US00D791329S

(12) **United States Design Patent** (10) **Patent No.:** **US D791,329 S**  
**Verma et al.** (45) **Date of Patent:** **\*\* Jul. 4, 2017**

(54) **HUMIDIFIER RESERVOIR LID FOR POSITIVE AIRWAY PRESSURE DELIVERY CONSOLE**

(71) Applicant: **ResMed Limited**, Bella Vista, New South Wales (AU)

(72) Inventors: **Hargopal Verma**, Sydney (AU); **Andrew Roderick Bath**, Sydney (AU); **Justin John Formica**, Sydney (AU); **Matthew Rolf Harrington**, Gosford (AU); **Saad Nasr**, Sydney (AU); **Joseph Samuel Ormrod**, Sydney (AU)

(73) Assignee: **ResMed Limited**, Bella Vista (AT)

(\*\*) Term: **15 Years**

(21) Appl. No.: **29/547,349**

(22) Filed: **Dec. 3, 2015**

**Related U.S. Application Data**

(62) Division of application No. 29/534,540, filed on Jul. 29, 2015, now Pat. No. Des. 752,228, which is a division of application No. 29/482,541, filed on Feb. 19, 2014, now Pat. No. Des. 744,108.

(51) **LOC (10) Cl.** ..... **24-00**

(52) **U.S. Cl.**  
USPC ..... **D24/164**

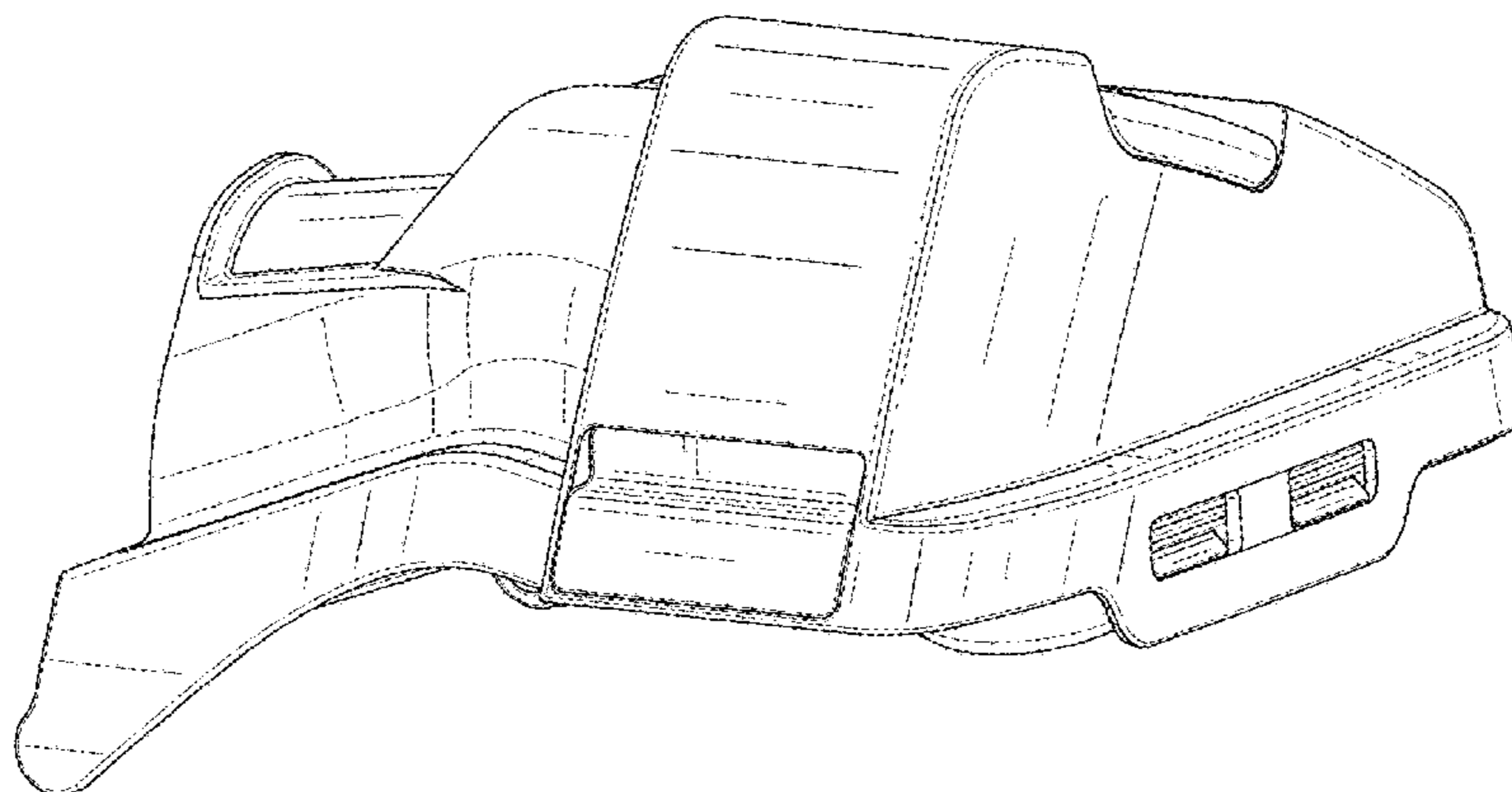
(58) **Field of Classification Search**  
USPC ..... D24/164, 110; 128/205.24, 204.21;  
D23/235, 356; 137/512, 102  
CPC ..... A61M 16/20; A62B 7/02; F04B 39/1033;  
G05D 16/10  
See application file for complete search history.

(56) **References Cited**

**U.S. PATENT DOCUMENTS**

2,073,335 A 3/1937 Karl  
2,516,864 A 8/1950 Gilmore  
2,524,522 A 10/1950 Gilmore  
2,954,802 A 10/1960 Duff

3,163,707 A 12/1964 Darling  
D217,550 S 5/1970 Campbell  
D280,765 S 9/1985 Alvino  
D302,040 S 7/1989 Lambert  
D360,027 S 7/1995 Psaros  
D378,128 S 2/1997 Rozek et al.  
D421,298 S \* 2/2000 Kenyon ..... D24/110  
D436,401 S \* 1/2001 Remes ..... D24/164  
D439,326 S 3/2001 Hecker  
D464,724 S 10/2002 Lynch et al.  
D467,335 S 12/2002 Lithgow et al.  
D473,941 S 4/2003 Cise  
D476,077 S 6/2003 Lithgow et al.  
D476,731 S 7/2003 Cise  
D486,909 S 2/2004 Cise  
6,722,904 B2 4/2004 Linhart  
D493,520 S \* 7/2004 Bertinetti ..... D24/110  
D493,884 S \* 8/2004 Virr ..... D24/110  
D497,203 S 10/2004 Lithgow et al.  
D500,847 S 1/2005 Manke et al.  
D504,945 S 5/2005 Van Brunt et al.  
D544,598 S \* 6/2007 Lithgow ..... D24/110  
7,226,302 B2 6/2007 Walter  
7,237,770 B2 7/2007 Lipscombe et al.  
D550,349 S \* 9/2007 Lithgow ..... D24/110  
D560,795 S \* 1/2008 Lithgow ..... D24/110  
D561,881 S 2/2008 Huang  
D561,890 S \* 2/2008 Lithgow ..... D24/110  
D561,891 S \* 2/2008 Lithgow ..... D24/110  
D570,473 S 6/2008 Hamaguchi et al.  
D572,355 S 7/2008 Gao  
D578,204 S \* 10/2008 Lithgow ..... D24/110  
D580,060 S \* 11/2008 Adams ..... D24/164  
D585,131 S \* 1/2009 Trevor-Wilson ..... D24/110  
D585,540 S \* 1/2009 Lithgow ..... D24/110  
D590,494 S \* 4/2009 Lithgow ..... D24/110  
D592,301 S 5/2009 Cork et al.  
D594,102 S 6/2009 Israel et al.  
D597,186 S 7/2009 Campbell et al.  
D602,585 S 10/2009 Blackwell et al.  
D604,830 S \* 11/2009 Lithgow ..... D24/110  
D606,655 S 12/2009 Wilkinson et al.  
D607,107 S 12/2009 McCombs et al.  
D609,318 S 2/2010 Lam  
D610,250 S 2/2010 Neuner  
D611,593 S \* 3/2010 Lithgow ..... D24/110  
D612,480 S \* 3/2010 Cork ..... D24/110  
D614,286 S \* 4/2010 Lithgow ..... D24/110  
D620,102 S 7/2010 Klien et al.  
D621,031 S \* 8/2010 Lithgow ..... D24/110  
D627,044 S \* 11/2010 Virr ..... D23/356  
D628,288 S 11/2010 Row et al.  
D629,891 S 12/2010 Virr et al.



D629,892 S	12/2010	Hill et al.	
D635,244 S *	3/2011	Virr .....	D24/110
D635,245 S *	3/2011	Virr .....	D24/110
D635,654 S *	4/2011	Virr .....	D23/356
D638,536 S	5/2011	Row et al.	
D638,537 S	5/2011	Virr et al.	
D638,933 S	5/2011	Hill et al.	
D643,114 S *	8/2011	Virr .....	D24/110
D644,731 S	9/2011	Fangrow, Jr.	
D650,479 S	12/2011	Row et al.	
D652,916 S	1/2012	Row et al.	
D652,917 S	1/2012	Hill et al.	
8,100,127 B2	1/2012	Worley	
D655,813 S	3/2012	Row et al.	
D658,283 S	4/2012	Burz et al.	
D659,235 S *	5/2012	Bertinetti .....	D24/110
D671,209 S	11/2012	Row et al.	
D675,730 S	2/2013	Lithgow et al.	
8,375,945 B2	2/2013	Kepler et al.	
D677,789 S	3/2013	Row et al.	
D680,636 S	4/2013	Ching	
D682,406 S	5/2013	Yeom	
D685,896 S	7/2013	Niedermann et al.	
D693,005 S	11/2013	Nawata et al.	
D695,388 S	12/2013	Lithgow	
D696,393 S	12/2013	Lu	
8,631,789 B2	1/2014	Virr et al.	
D699,356 S	2/2014	Patil	
D702,353 S	4/2014	Fujimoto et al.	
D703,311 S	4/2014	Daly	
D707,334 S	6/2014	Hernandez	
D707,338 S	6/2014	Ediger et al.	
D708,316 S	7/2014	Bertinetti	
D710,989 S	8/2014	Bertinetti	
D716,419 S	10/2014	Hernandez	
D716,452 S	10/2014	Hutchison	
D719,248 S	12/2014	Smith, Jr. et al.	
8,905,031 B2	12/2014	Barlow	
D729,936 S	5/2015	Reback	
D735,865 S	8/2015	Nishimura	
D736,371 S	8/2015	Row	
D738,488 S	9/2015	Formica et al.	
D738,489 S	9/2015	Formica et al.	
D741,477 S	10/2015	Rogers	
D742,508 S	11/2015	Row	
D743,556 S	11/2015	Bath et al.	
D744,108 S	11/2015	Verma et al.	
D759,234 S	6/2016	Bertinetti	
2006/0106345 A1	5/2006	Flaker et al.	
2007/0169776 A1	7/2007	Kepler et al.	
2007/0277828 A1	12/2007	Ho	
2009/0025724 A1	1/2009	Herron, Jr.	
2009/0123886 A1	5/2009	Vaska	
2009/0223514 A1	9/2009	Smith et al.	
2010/0116272 A1	5/2010	Row et al.	
2010/0307502 A1	12/2010	Rummery	
2011/0017212 A1	1/2011	Kenyon et al.	
2011/0023874 A1	2/2011	Bath	
2011/0100363 A1	5/2011	Barclay et al.	
2011/0155132 A1	6/2011	Virr et al.	
2011/0180068 A1	7/2011	Kenyon et al.	
2012/0227738 A1	9/2012	Virr	
2012/0285454 A1	11/2012	Nibu et al.	
2012/0304994 A1	12/2012	Kwok	
2013/0008440 A1	1/2013	Maurer et al.	
2013/0011823 A1	1/2013	Hassanein et al.	
2013/0206140 A1	8/2013	Kepler et al.	
2013/0239961 A1	9/2013	Ross et al.	
2013/0263854 A1	10/2013	Taylor et al.	
2013/0280055 A1	10/2013	Daly et al.	
2014/0130802 A1	5/2014	Virr et al.	
2014/0202460 A1	7/2014	Bath	
2014/0216459 A1	8/2014	Vos	
2014/0246025 A1	9/2014	Cragg et al.	
2015/0273167 A1	10/2015	Feldhahn	
2015/0277733 A1	10/2015	Schwaibold	
2015/0283350 A1	10/2015	Miller	
2015/0306326 A1	10/2015	Graham	

2015/0306332 A1	10/2015	Bafle
2015/0335851 A1	11/2015	Cullen et al.
2015/0359989 A1	12/2015	Potharaju et al.

FOREIGN PATENT DOCUMENTS

EM	001312953-0001	3/2012
EM	001312953-0002	3/2012
EM	001312953-0003	3/2012
EM	001312953-0004	3/2012
EM	001312953-0005	3/2012
EP	2 703 034 A2	8/2013
WO	WO 2011/056080 A1	5/2011
WO	WO 2012/160477 A1	11/2012

OTHER PUBLICATIONS

Office Action mailed Jan. 20, 2016 in U.S. Appl. No. 29/515,282 (7 pages).  
 U.S. Appl. No. 29/456,458, filed May 2013, Formica et al.  
 U.S. Appl. No. 29/456,477, filed May 2013, Formica et al.  
 U.S. Appl. No. 29/480,971, filed Jan. 2014, Desvoyes et al.  
 U.S. Appl. No. 29/482,519, filed Feb. 2014, Bath et al.  
 U.S. Appl. No. 29/502,152, filed Sep. 2014, Bertinetti et al.  
 U.S. Appl. No. 29/485,313, filed Mar. 2014, Formica et al.  
 U.S. Appl. No. 29/492,344, filed May 2014, Bertinetti et al.  
 U.S. Appl. No. 29/534,540, filed Jul. 2015, Verma et al.  
 U.S. Appl. No. 61/838,971, filed Jun. 2013, Huby et al.  
 U.S. Appl. No. 61/987,245, filed May 2014, Foote et al.  
 Office Action mailed Nov. 7, 2014 in U.S. Appl. No. 29/482,519 (5 pages).  
 ResMed S9™ Series, No Other Sleep Therapy System Delivers, 2010 (12 pages).  
 Philips Respironics, System One Sleep Therapy System, May 2012 (2 pages).  
 Fisher & Paykel Healthcare, Icon Brochure, 2010 (2 pages).  
 Fisher & Paykel Healthcare, Icon User Manual, Jan. 2010 (214 pages).  
 Office Action mailed Dec. 4, 2014 in U.S. Appl. No. 29/456,477 (9 pages).  
 Office Action mailed Dec. 3, 2014 in U.S. Appl. No. 29/456,458 (7 pages).  
 U.S. Appl. No. 29/482,541, filed Feb. 2014, Verma et al.  
 U.S. Office Action dated Jul. 5, 2016 issued in U.S. Appl. No. 29/502,152 (15 pages).

\* cited by examiner

*Primary Examiner* — Rhea Shields  
 (74) *Attorney, Agent, or Firm* — Nixon & Vanderhye P.C.

(57) **CLAIM**

The ornamental design for a humidifier reservoir lid for positive airway pressure delivery console, as shown and described.

**DESCRIPTION**

FIG. 1 is a perspective view, from the front, right corner, of a humidifier reservoir lid for positive airway pressure delivery console showing an embodiment according to our new ornamental design;  
 FIG. 2 is right side view thereof;  
 FIG. 3 is a left side view thereof;  
 FIG. 4 is a top view thereof;  
 FIG. 5 is a bottom view thereof;  
 FIG. 6 is a front view thereof;  
 FIG. 7 is a rear view thereof;  
 FIG. 8 is another perspective view thereof;

FIG. **9** is a perspective view, from the front, right corner, of a humidifier reservoir lid for positive airway pressure delivery console showing an embodiment according to our new ornamental design;

FIG. **10** is right side view thereof;

FIG. **11** is a left side view thereof;

FIG. **12** is a top view thereof;

FIG. **13** is a bottom view thereof;

FIG. **14** is a front view thereof;

FIG. **15** is a rear view thereof; and,

FIG. **16** is another perspective view thereof.

In the drawings, the broken lines are for the purpose of illustrating environment only and form no part of the claimed design.

One or more views (e.g., the bottom view) may be omitted and therefore does not form a part of the claimed design.

**1 Claim, 8 Drawing Sheets**

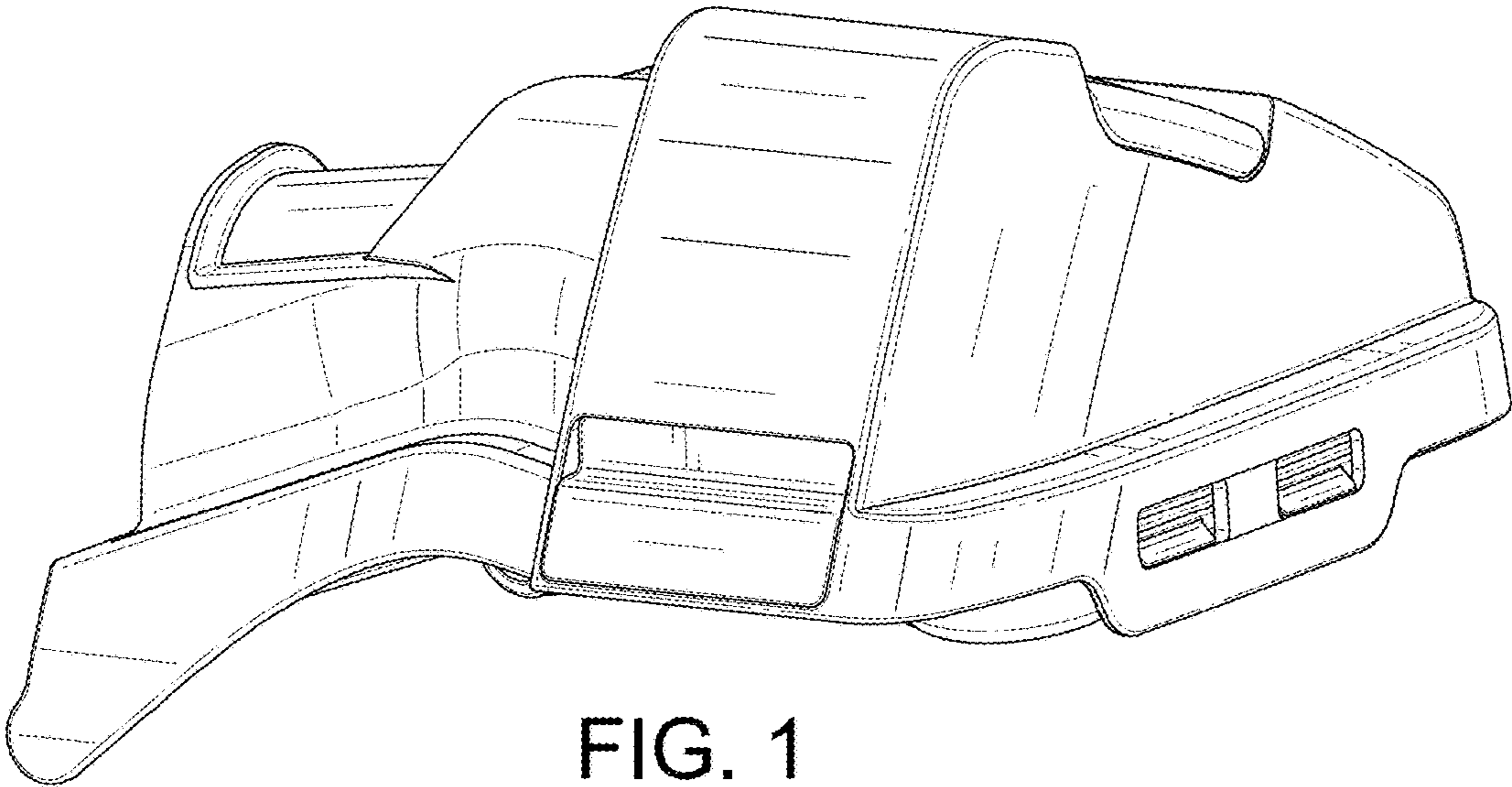


FIG. 1

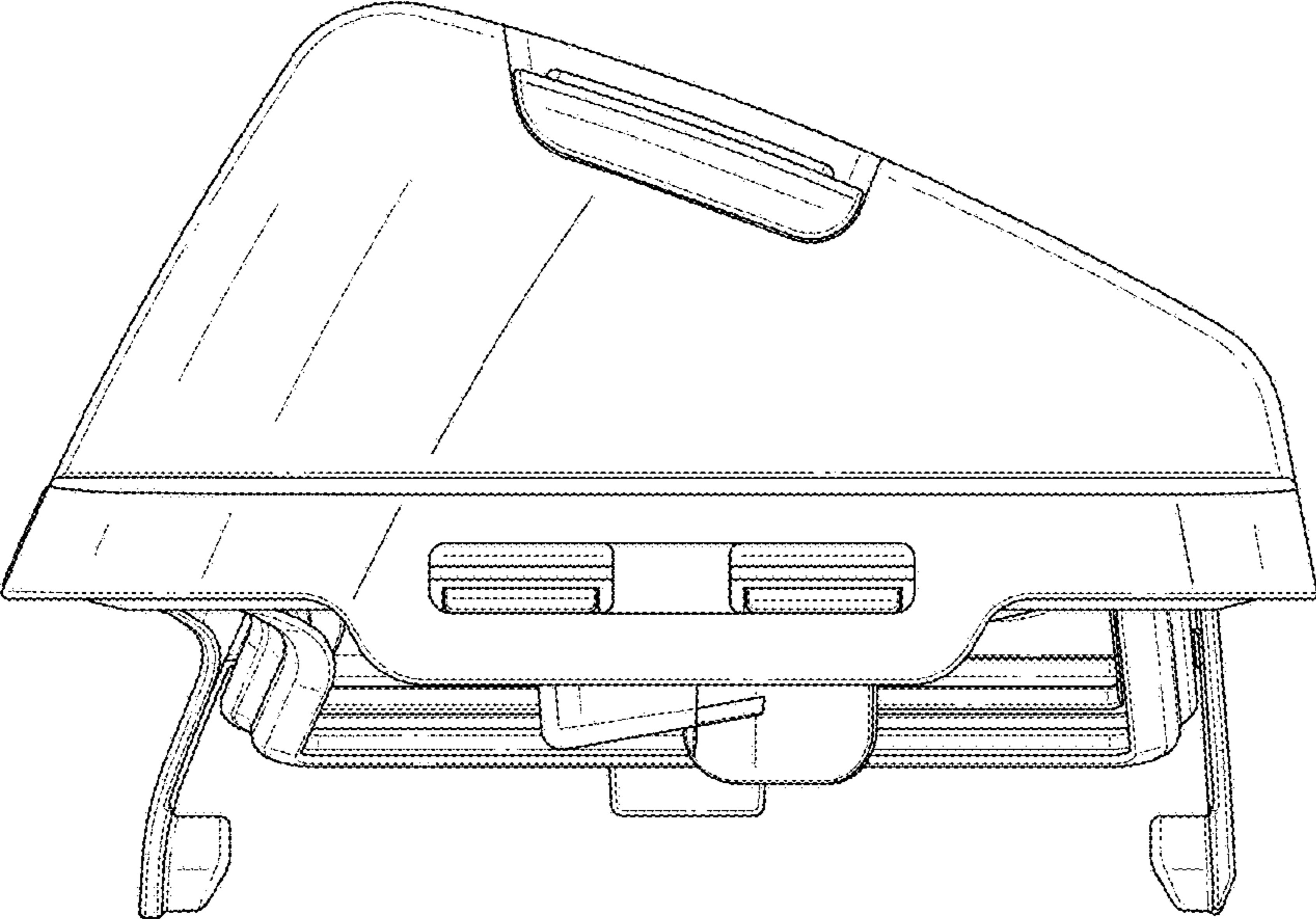


FIG. 2

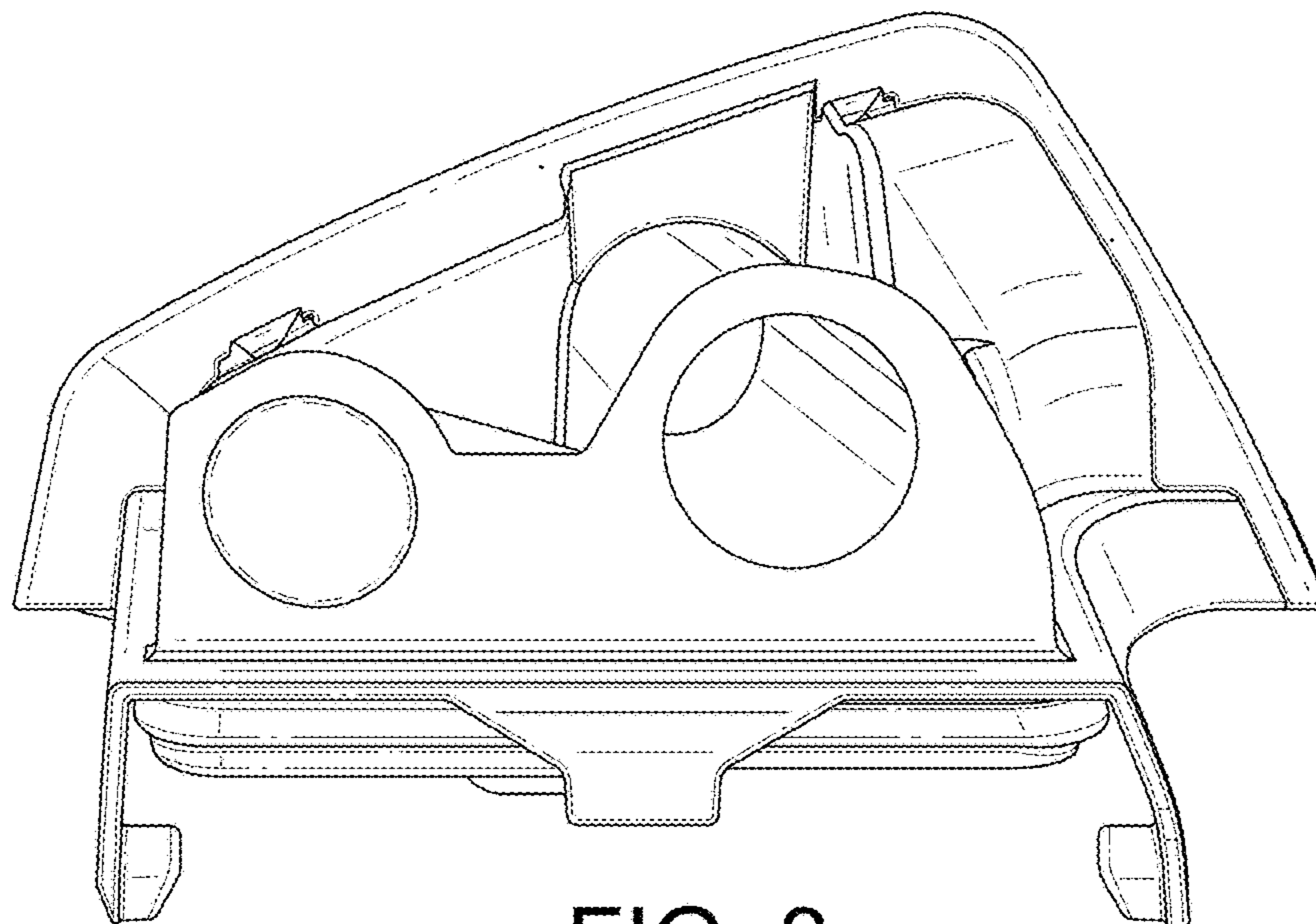


FIG. 3

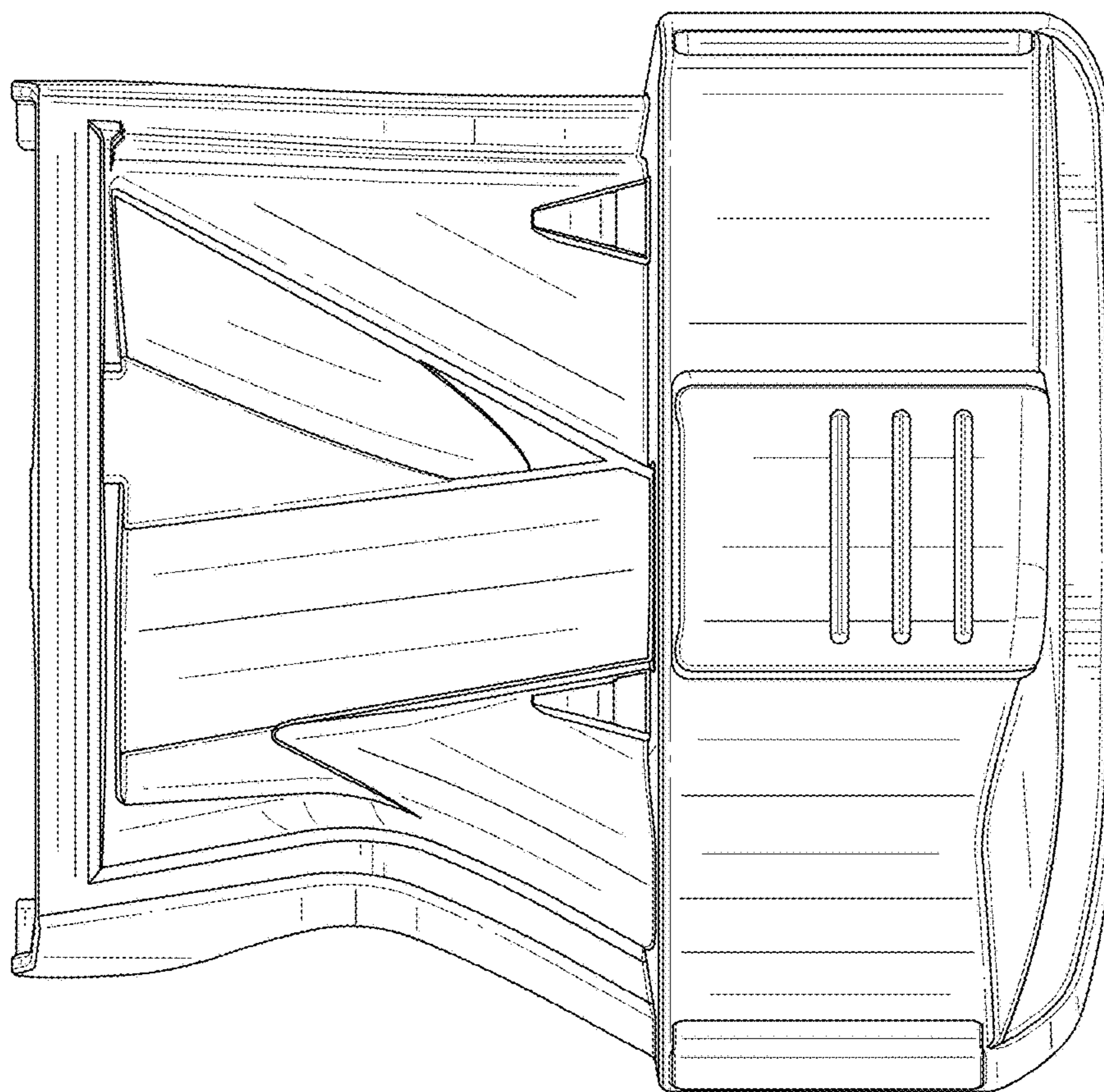


FIG. 4

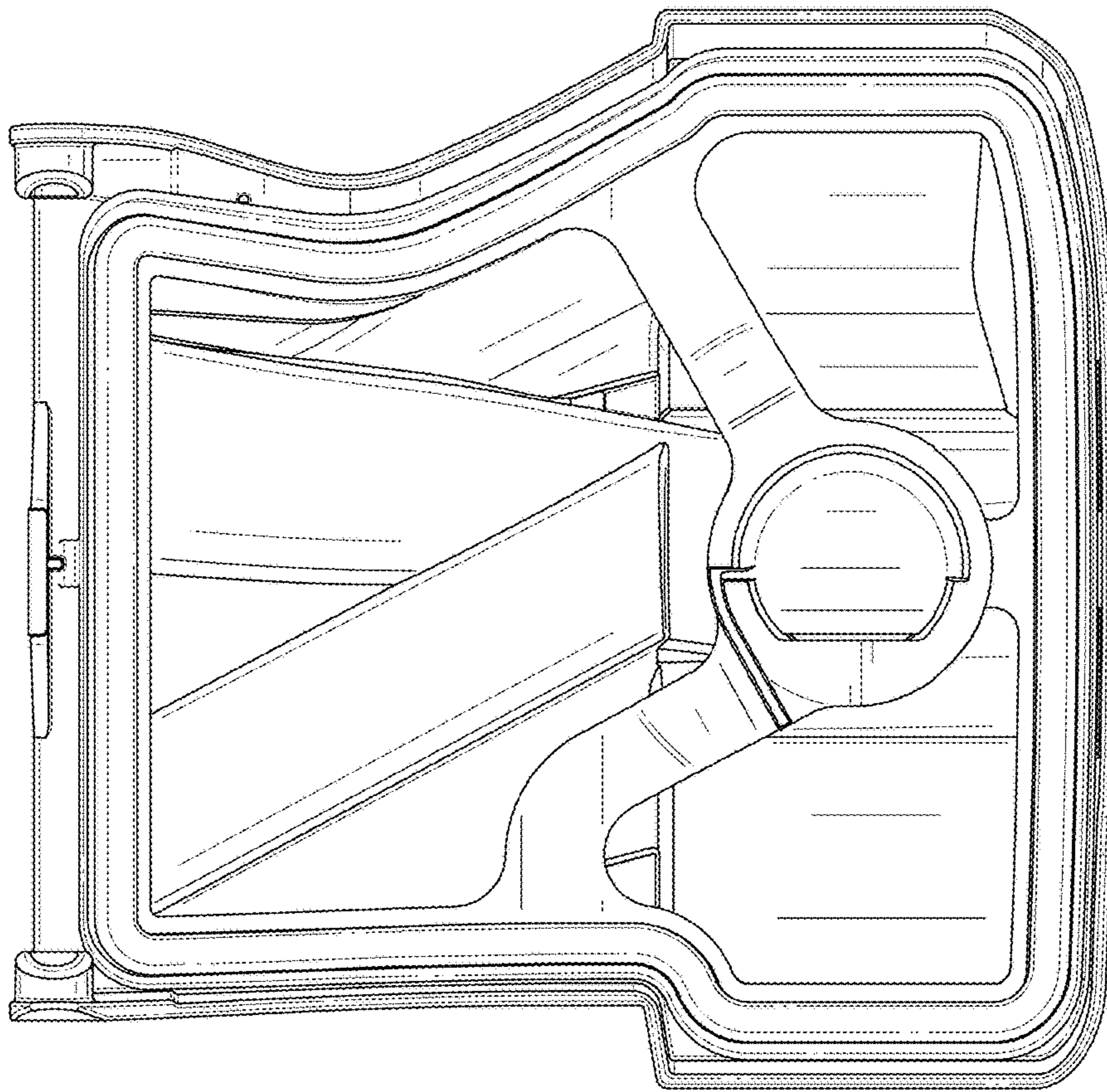


FIG. 5

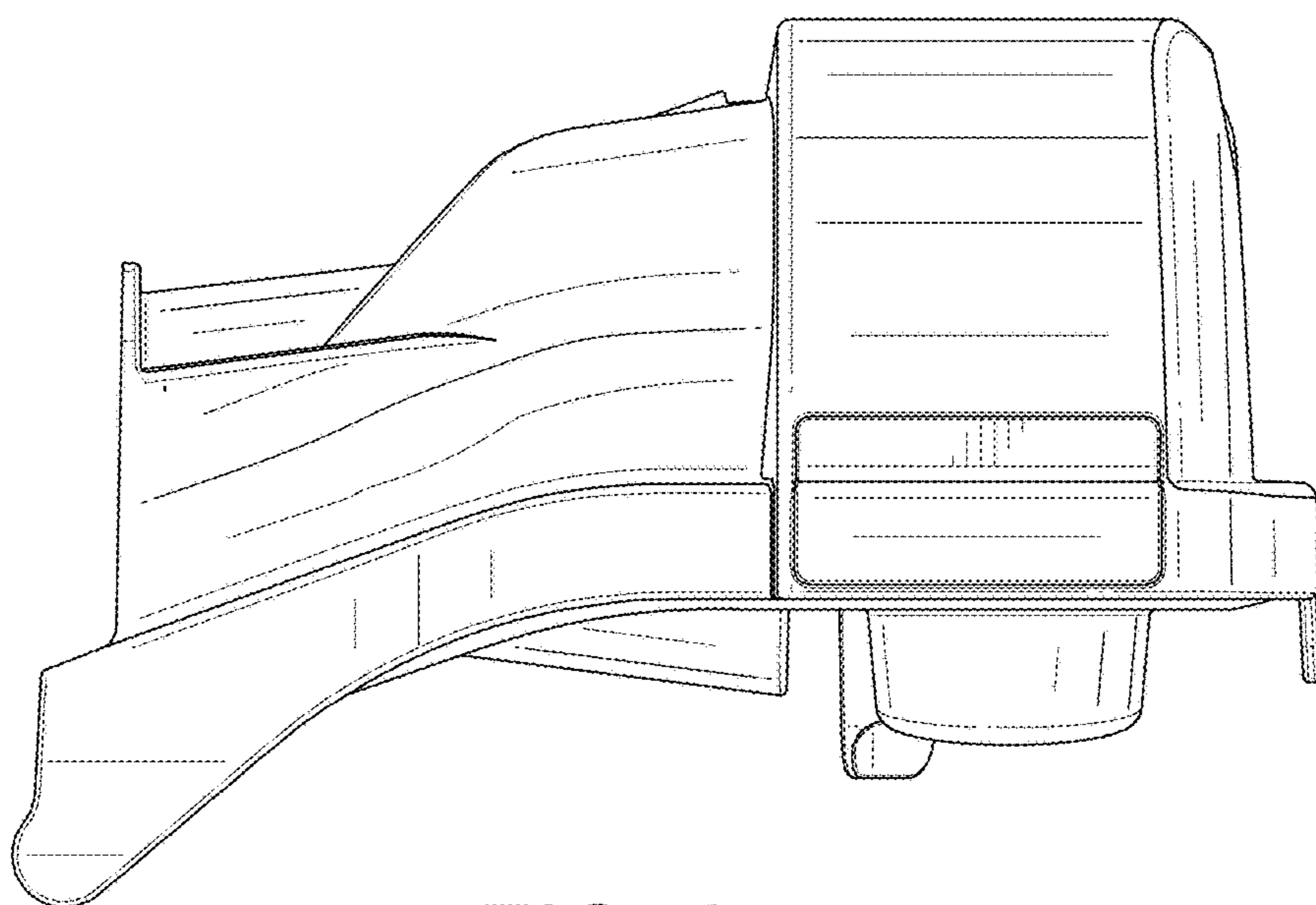


FIG. 6

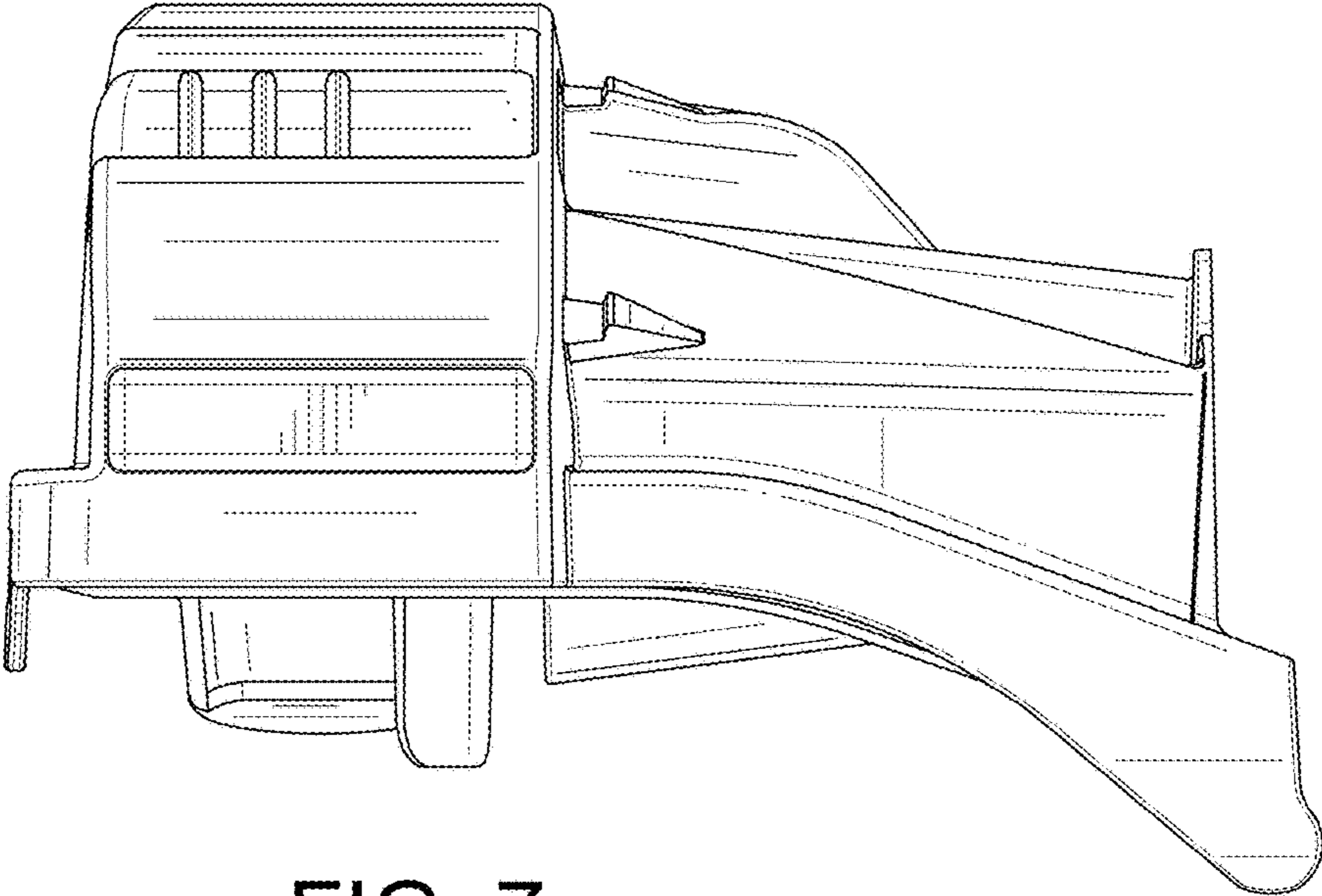


FIG. 7

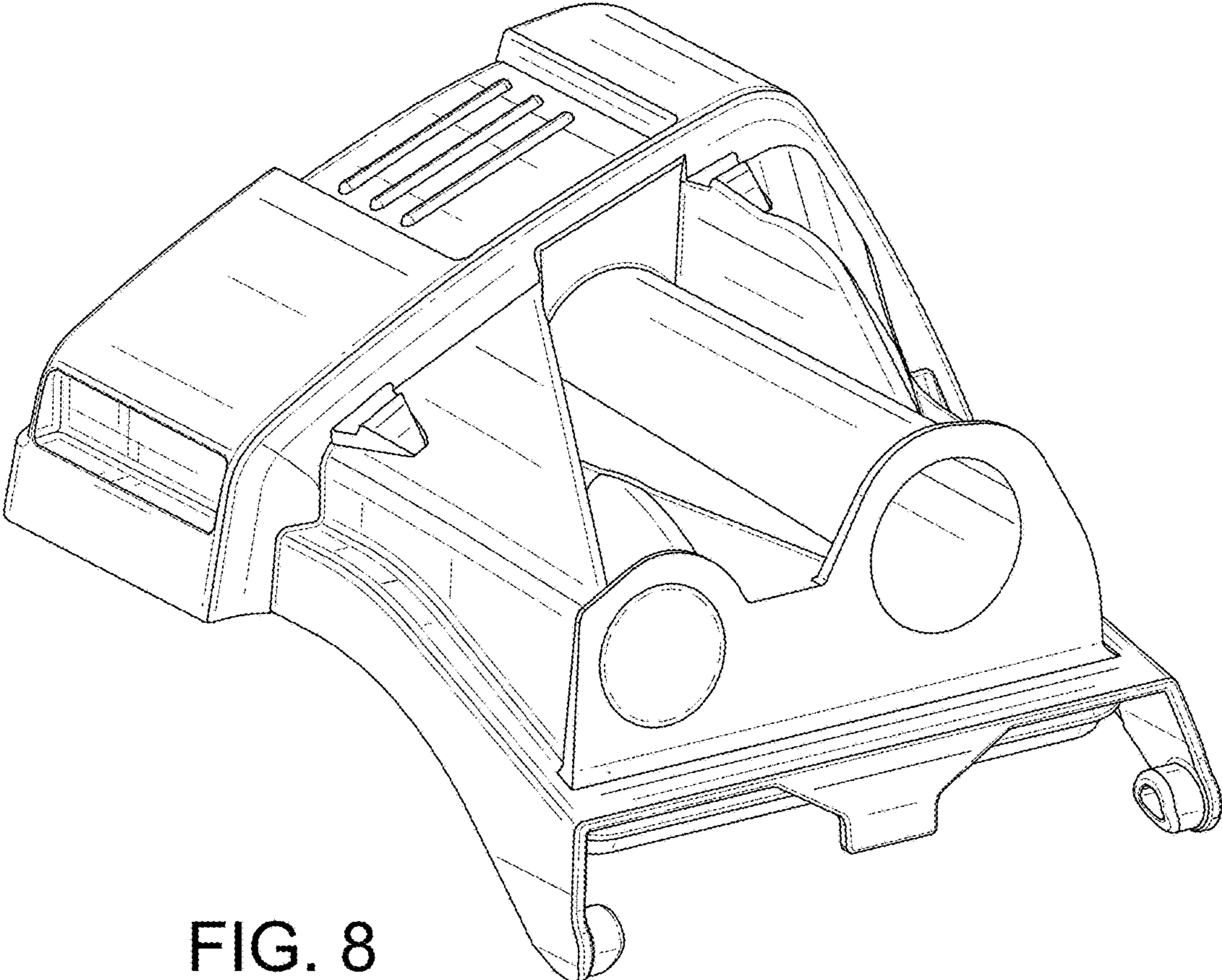


FIG. 8

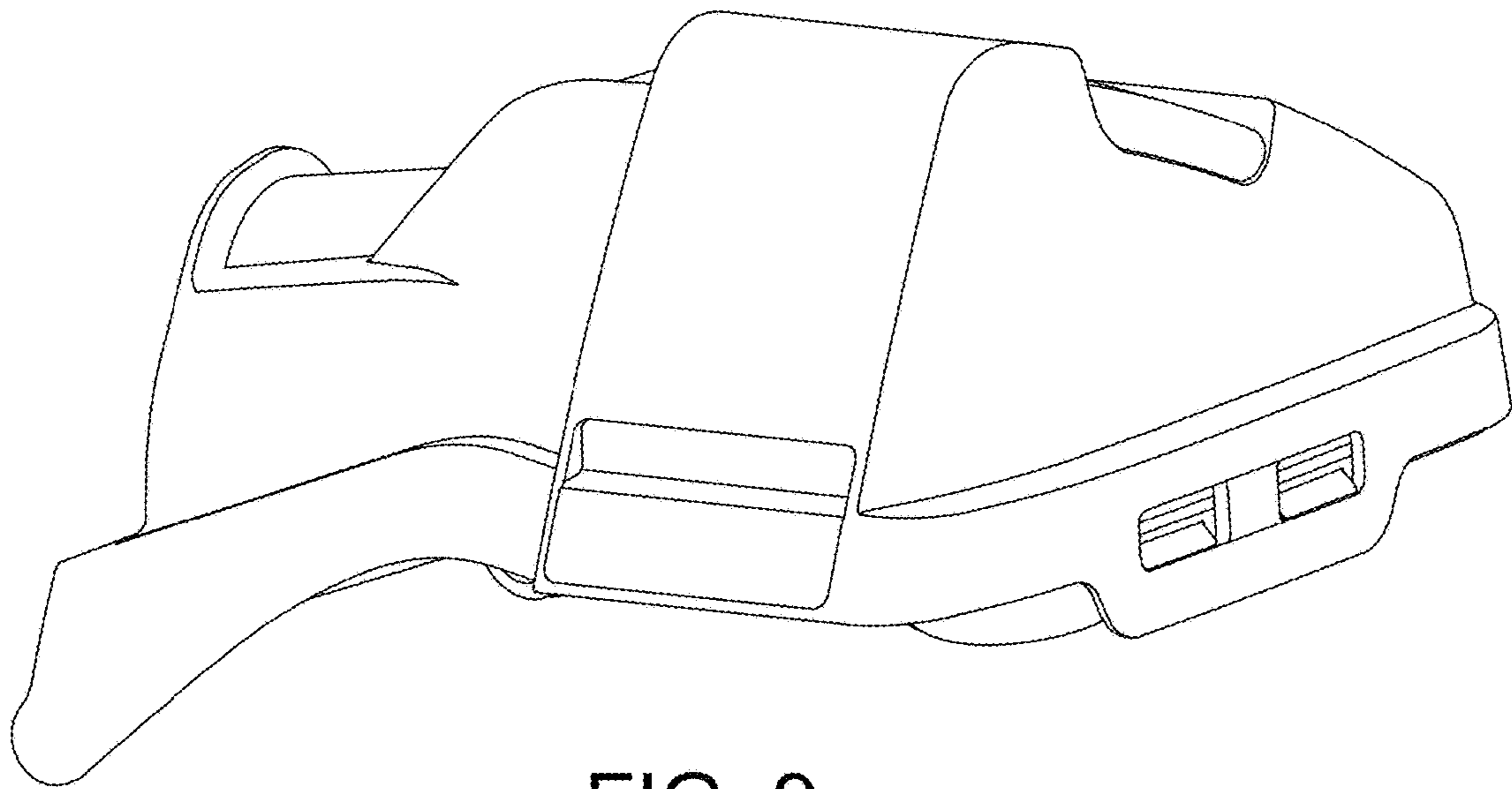


FIG. 9

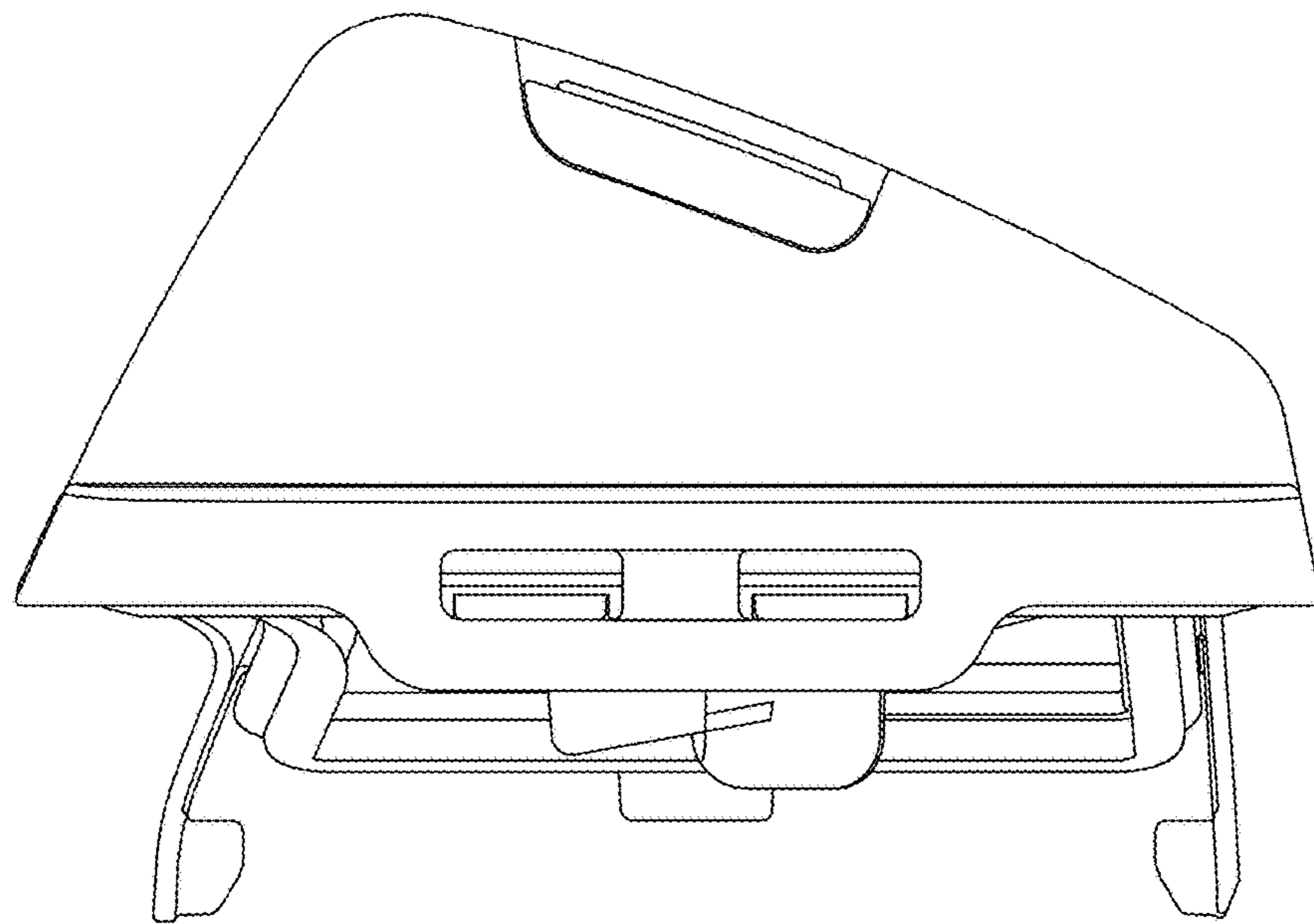


FIG. 10



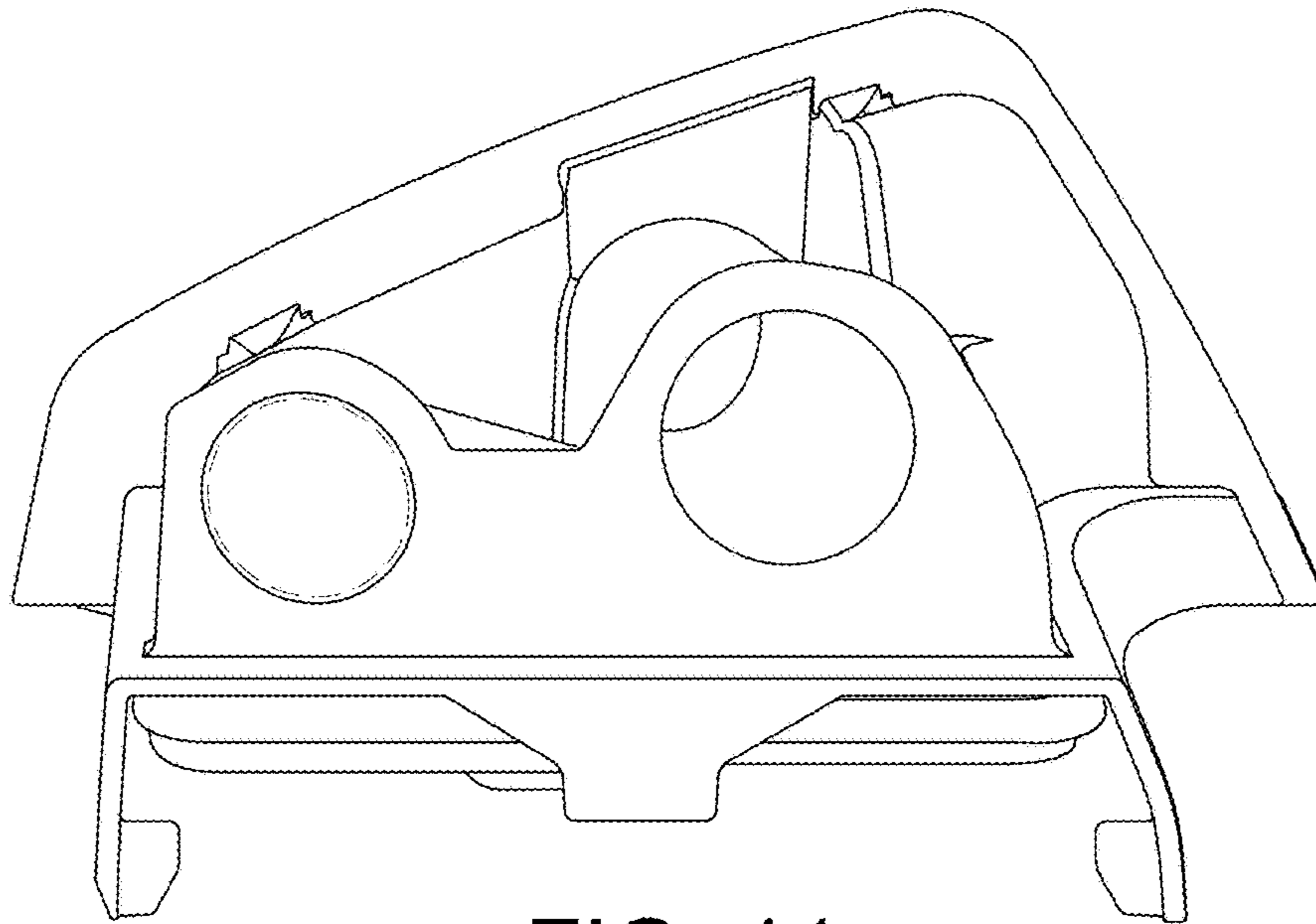


FIG. 11

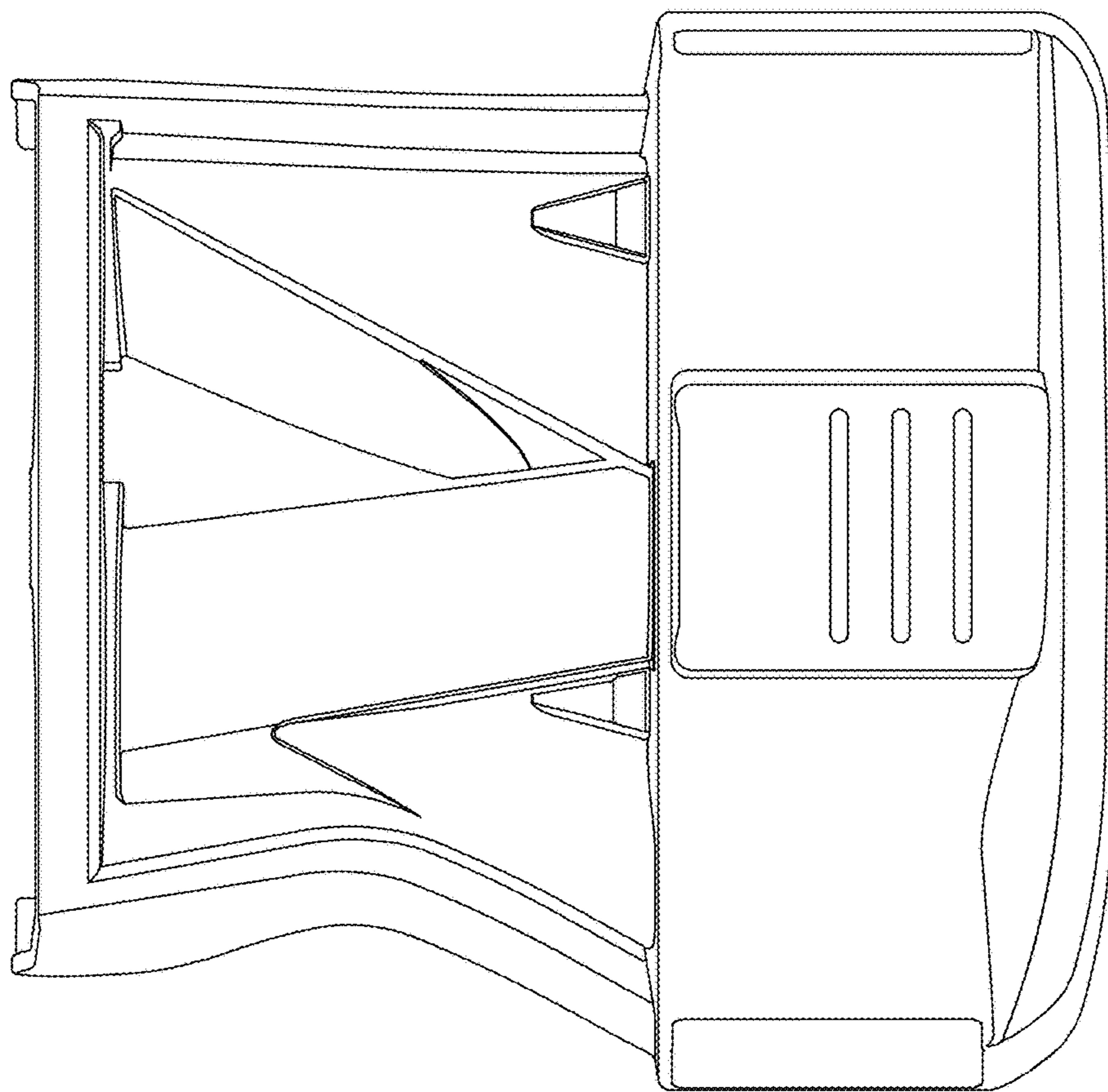


FIG. 12

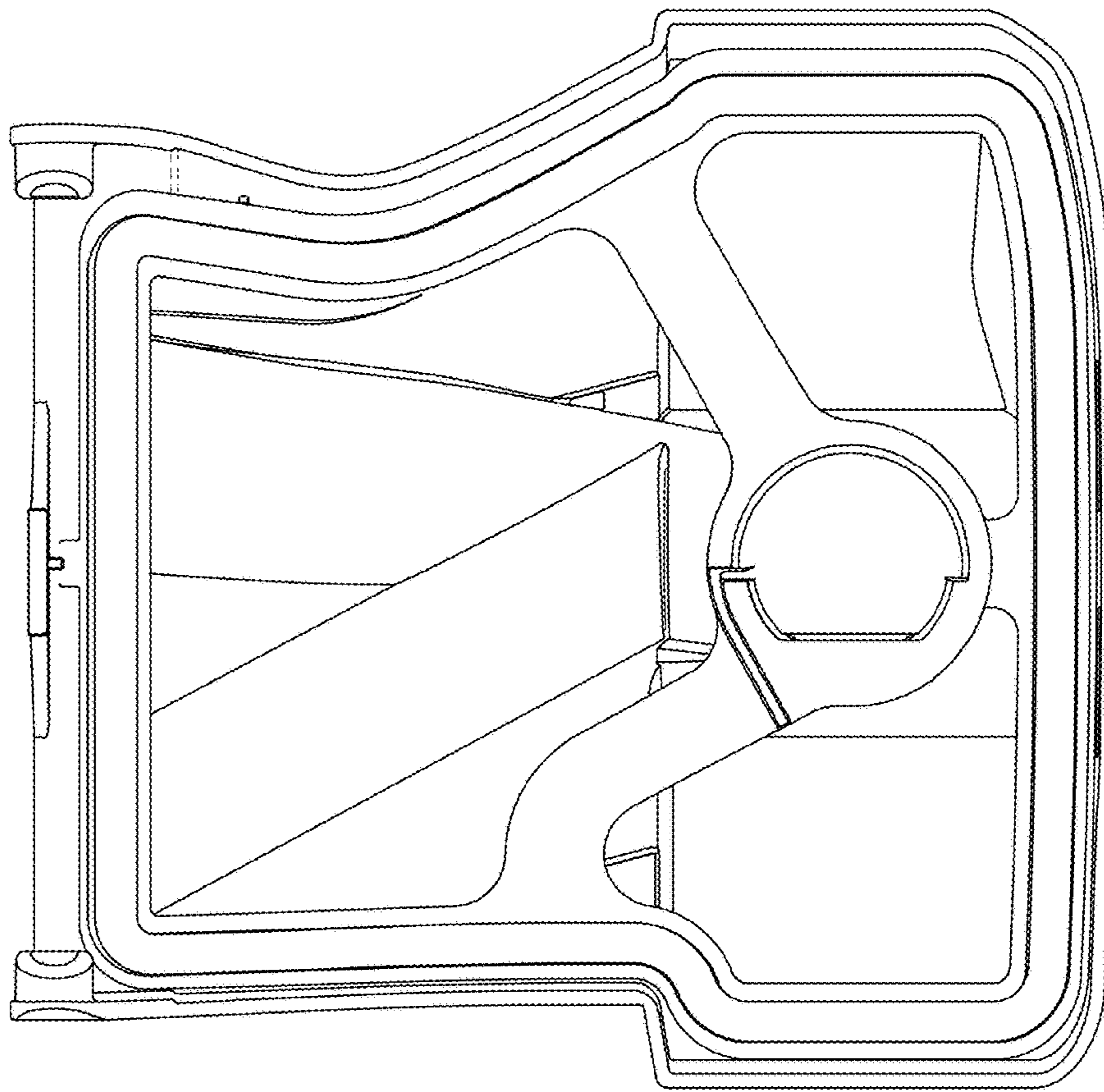


FIG. 13

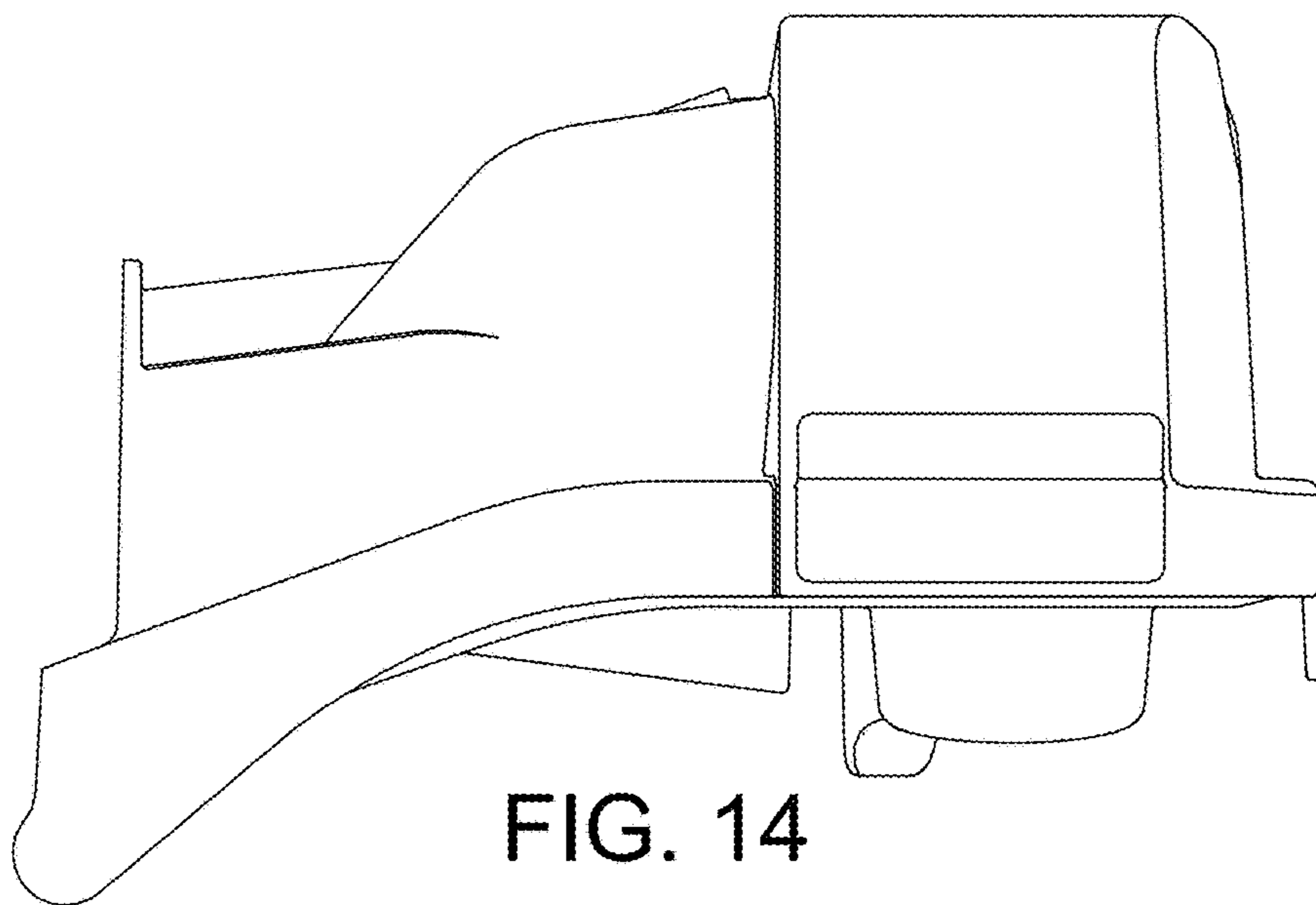


FIG. 14

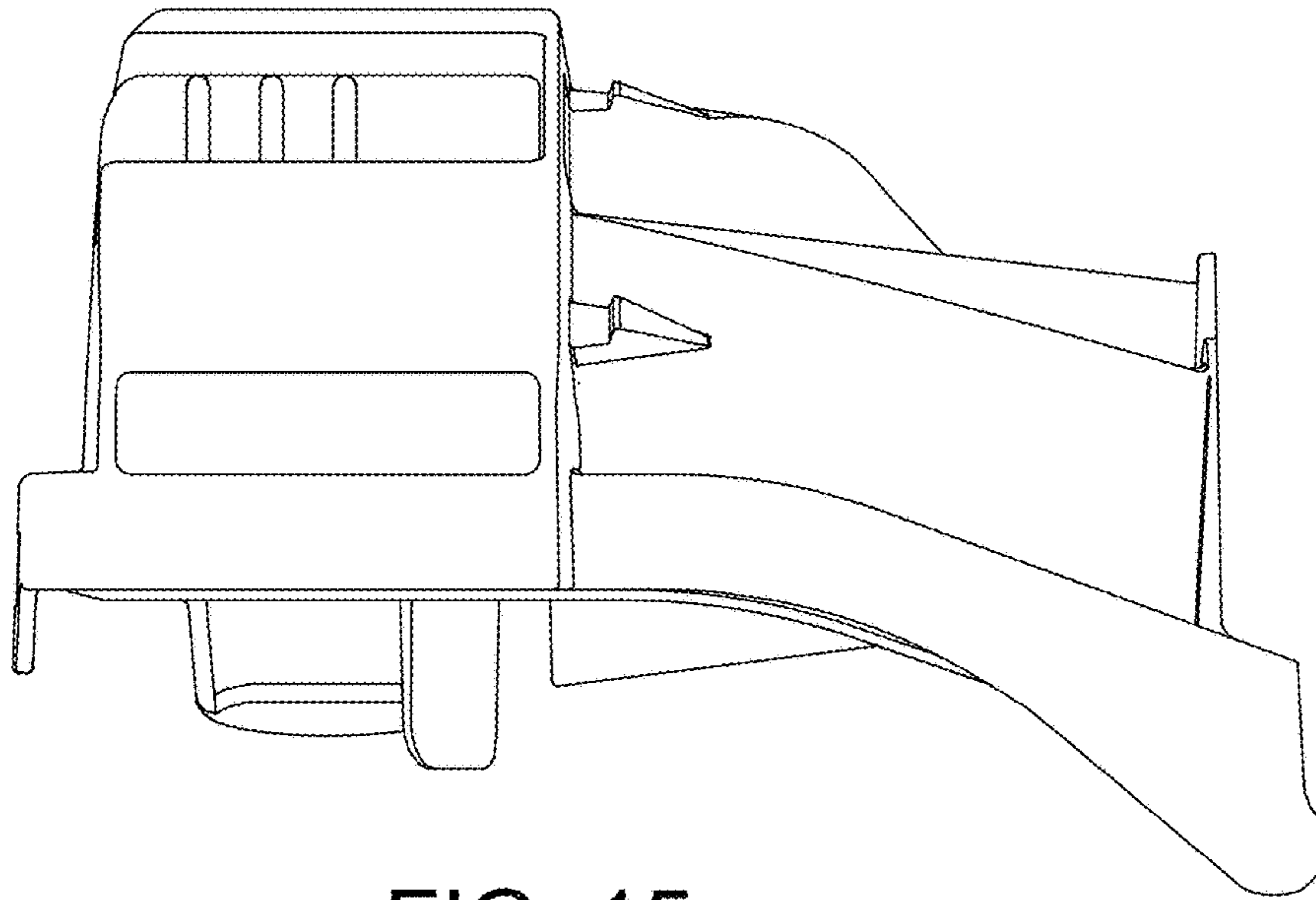


FIG. 15

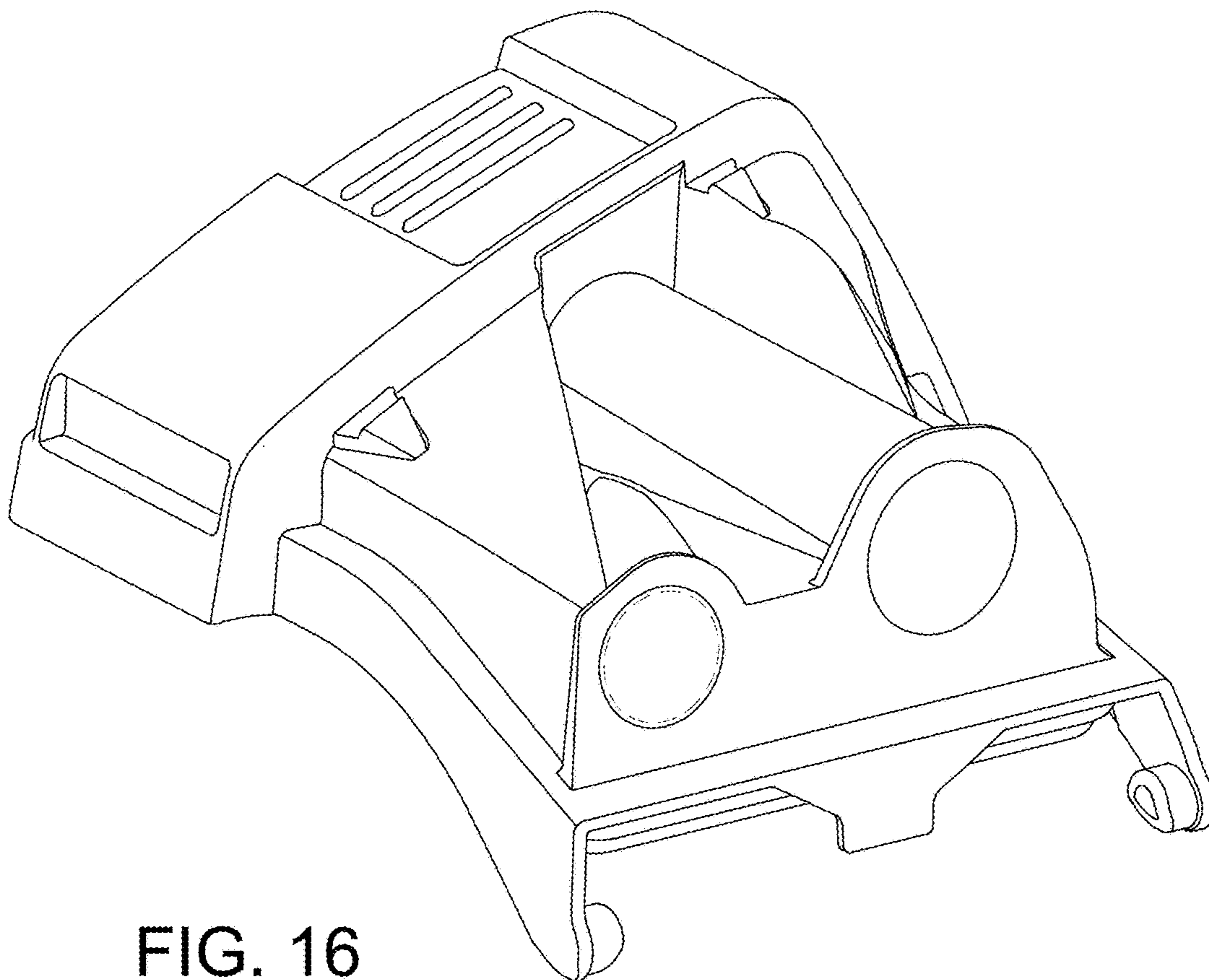


FIG. 16