



US00D791328S

(12) **United States Design Patent** (10) **Patent No.:** **US D791,328 S**  
**Rapoport et al.** (45) **Date of Patent:** **\*\* Jul. 4, 2017**

(54) **C-SHAPED NEONATE INCUBATOR**

(56) **References Cited**

(71) Applicant: **ASPECT IMAGING LTD.**, Shoham (IL)

U.S. PATENT DOCUMENTS

(72) Inventors: **Uri Rapoport**, Moshav Ben Shemen (IL); **Thomas Rangi Sutton**, Milan (IT); **James William Luther**, Milan (IT); **Andrea Besana**, Seveso (IT); **Barbara Tornaghi**, Monza (IT)

D182,394 S *	4/1958	Adolphson	.....	D24/163
D240,768 S *	7/1976	Beld et al.	.....	D24/163
6,711,937 B2 *	3/2004	Richards et al.	.....	600/22
D497,429 S *	10/2004	Tetrault et al.	.....	D24/163
D601,704 S *	10/2009	Chilton et al.	.....	D24/163
D604,416 S *	11/2009	Chilton et al.	.....	D24/163
D609,342 S *	2/2010	Chen	.....	D24/158
D667,118 S *	9/2012	Wodecki	.....	D24/159
D706,932 S *	6/2014	Matsubara et al.	.....	D24/163
2010/0222638 A1 *	9/2010	Chilton, III	.....	600/22
2010/0286471 A1 *	11/2010	Matsubara et al.	.....	600/22

(73) Assignee: **ASPECT IMAGING LTD.**, Shoham (IL)

(\* ) Notice: This patent is subject to a terminal disclaimer.

\* cited by examiner

(\*\*) Term: **14 Years**

*Primary Examiner* — Anhdao Doan

(21) Appl. No.: **29/478,618**

(22) Filed: **Jan. 7, 2014**

(57) **CLAIM**

The ornamental design for a C-shaped neonate incubator, as shown and described.

(30) **Foreign Application Priority Data**

**DESCRIPTION**

Dec. 22, 2013 (IL) ..... 54903

(51) **LOC (10) Cl.** ..... **24-01**

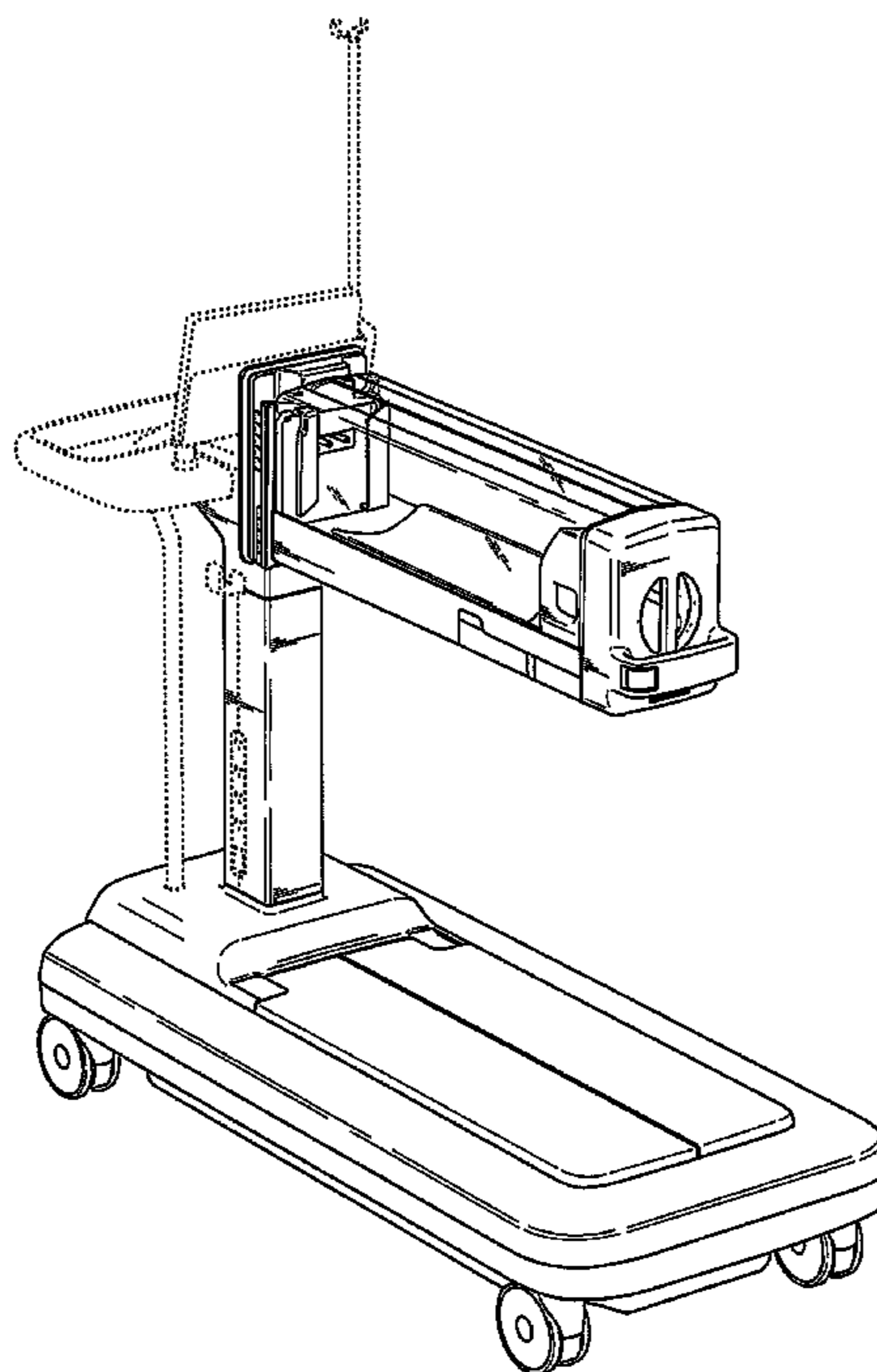
(52) **U.S. Cl.**  
USPC ..... **D24/163**

(58) **Field of Classification Search**  
USPC ..... D24/163, 164, 185, 202, 209, 231;  
600/21, 22; 119/311; 128/202.12,  
128/205.26; D30/108, 117, 199; D10/50  
CPC .... A61G 11/00; A61G 11/002; A61G 11/005;  
A61G 11/009

FIG. 1 is a front view of a C-shaped neonate incubator illustrating our new design;  
FIG. 2 is a rear view thereof;  
FIG. 3 is a left view thereof;  
FIG. 4 is a right side view thereof;  
FIG. 5 is a top view thereof;  
FIG. 6 is a bottom view thereof; and,  
FIG. 7 is a front perspective view thereof.  
The portions of the device shown by broken lines form no part of the claimed design.

See application file for complete search history.

**1 Claim, 7 Drawing Sheets**



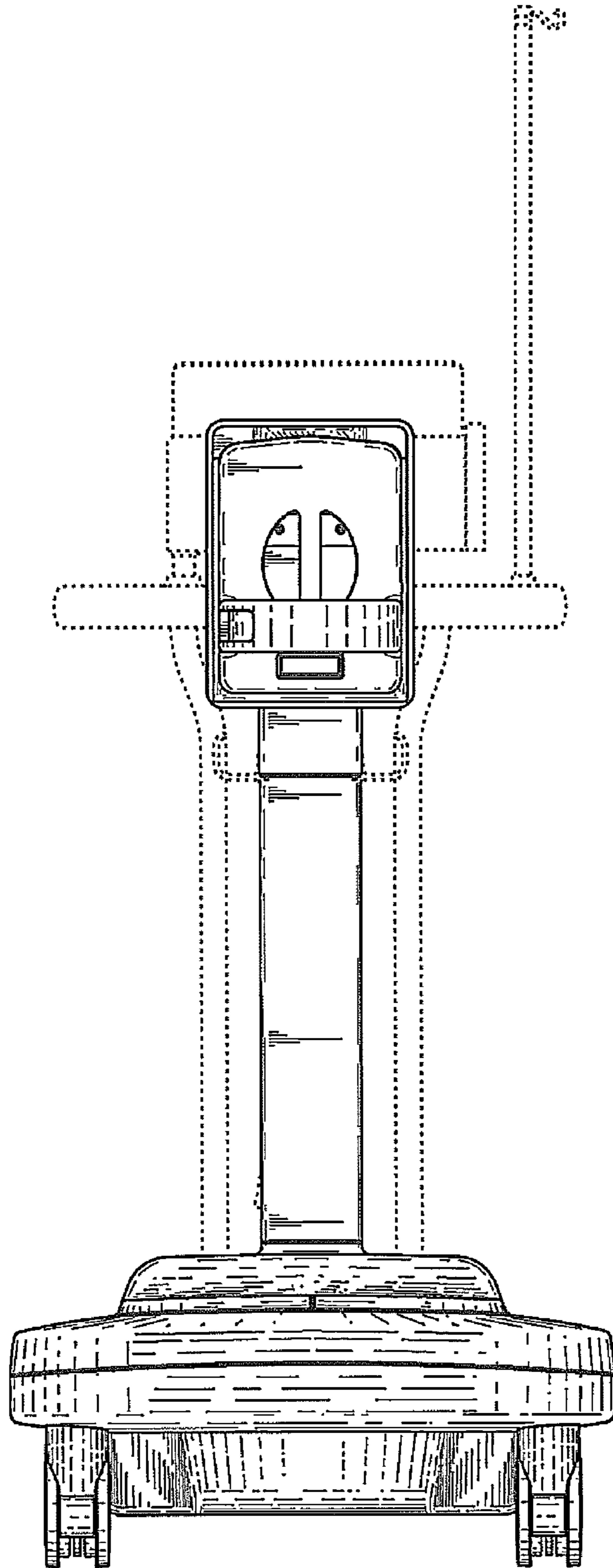


Fig. 1

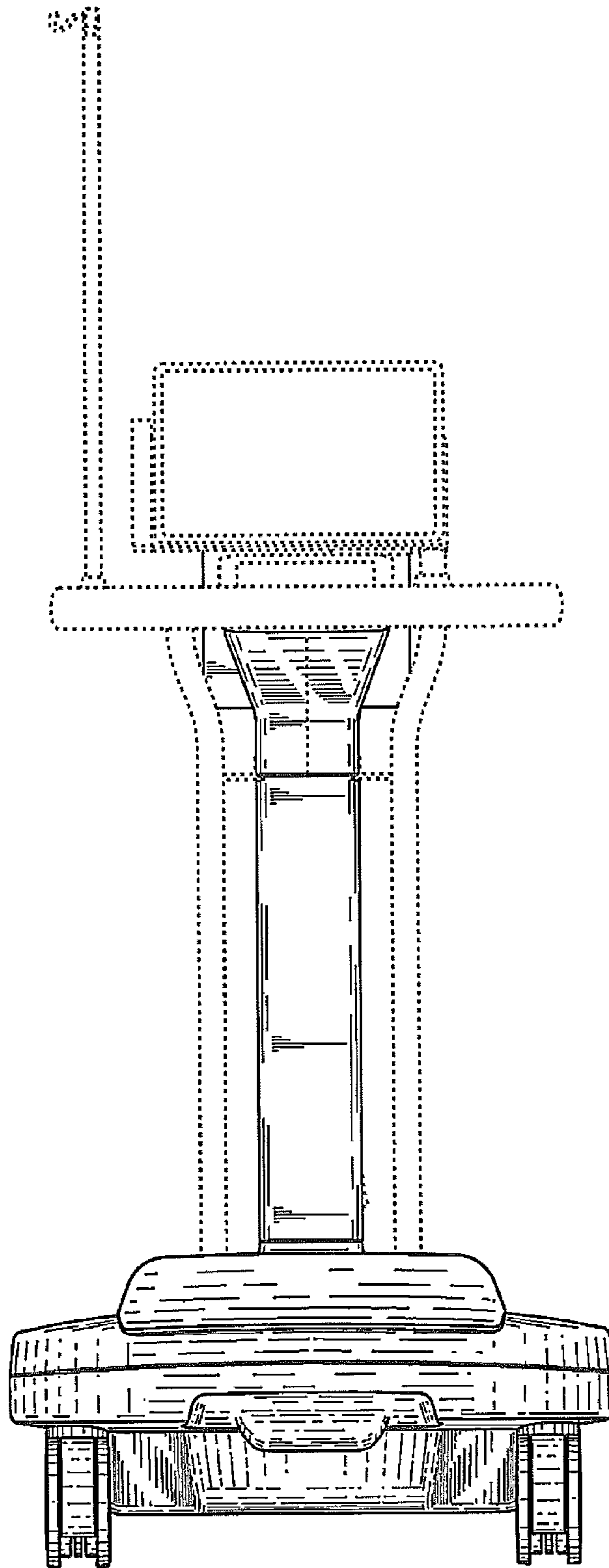


Fig. 2

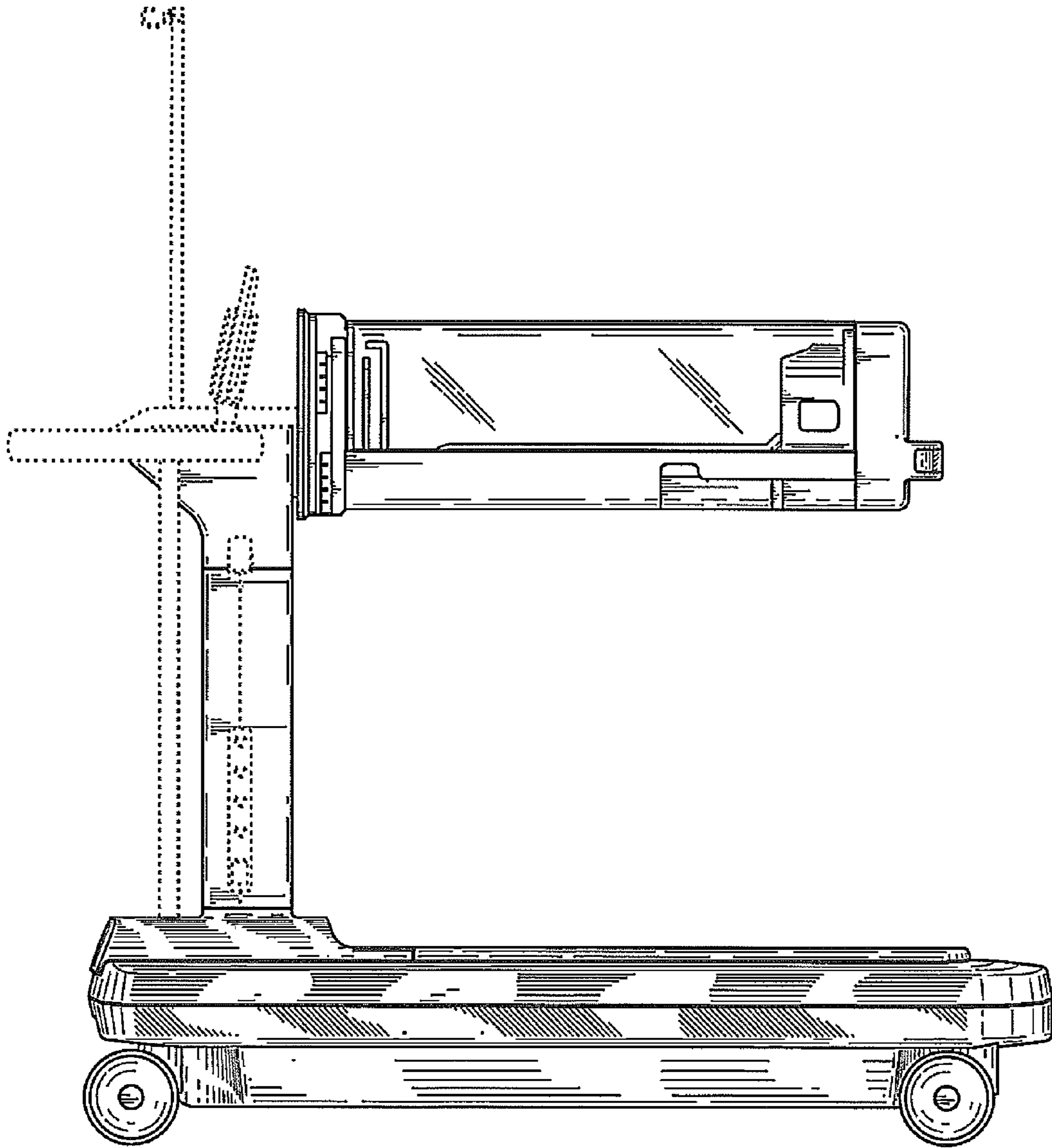


Fig.3

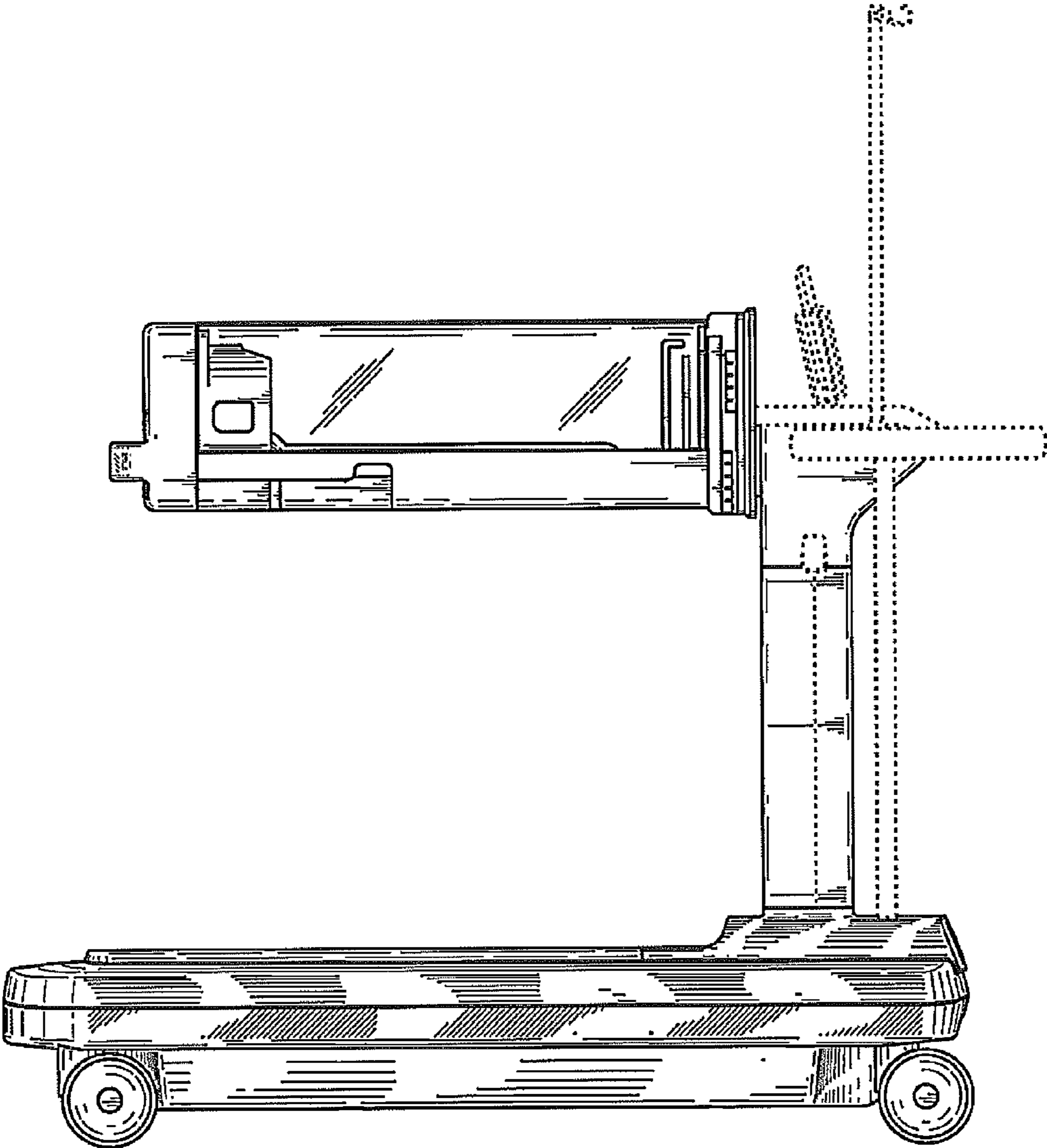


Fig. 4

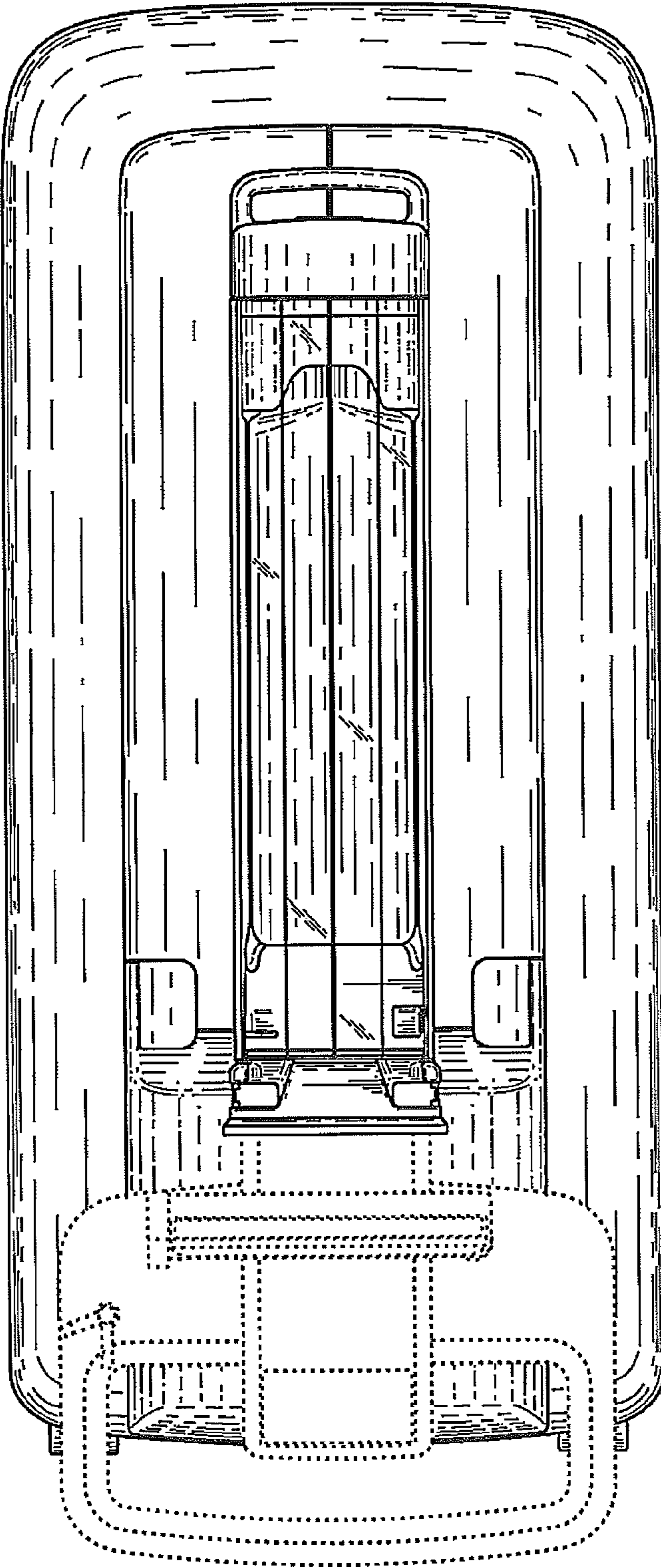


Fig. 5

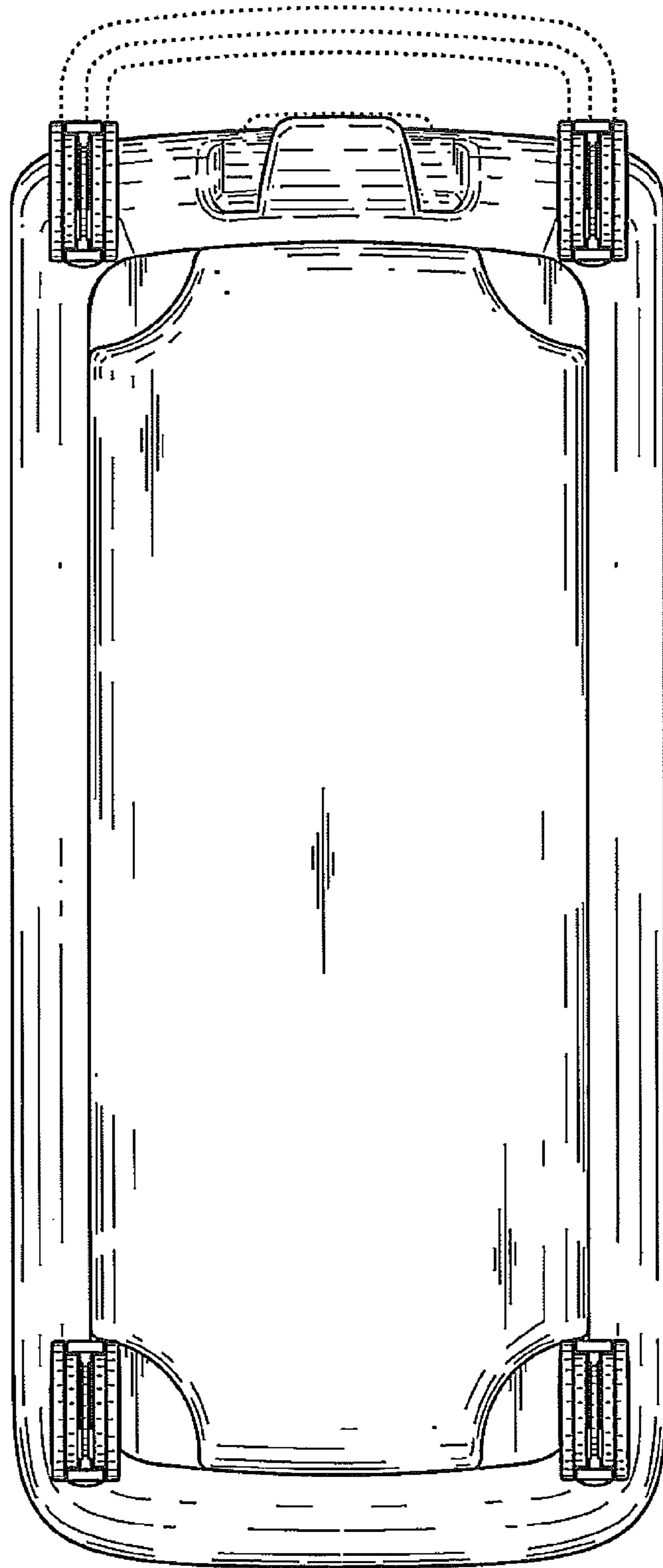


Fig. 6

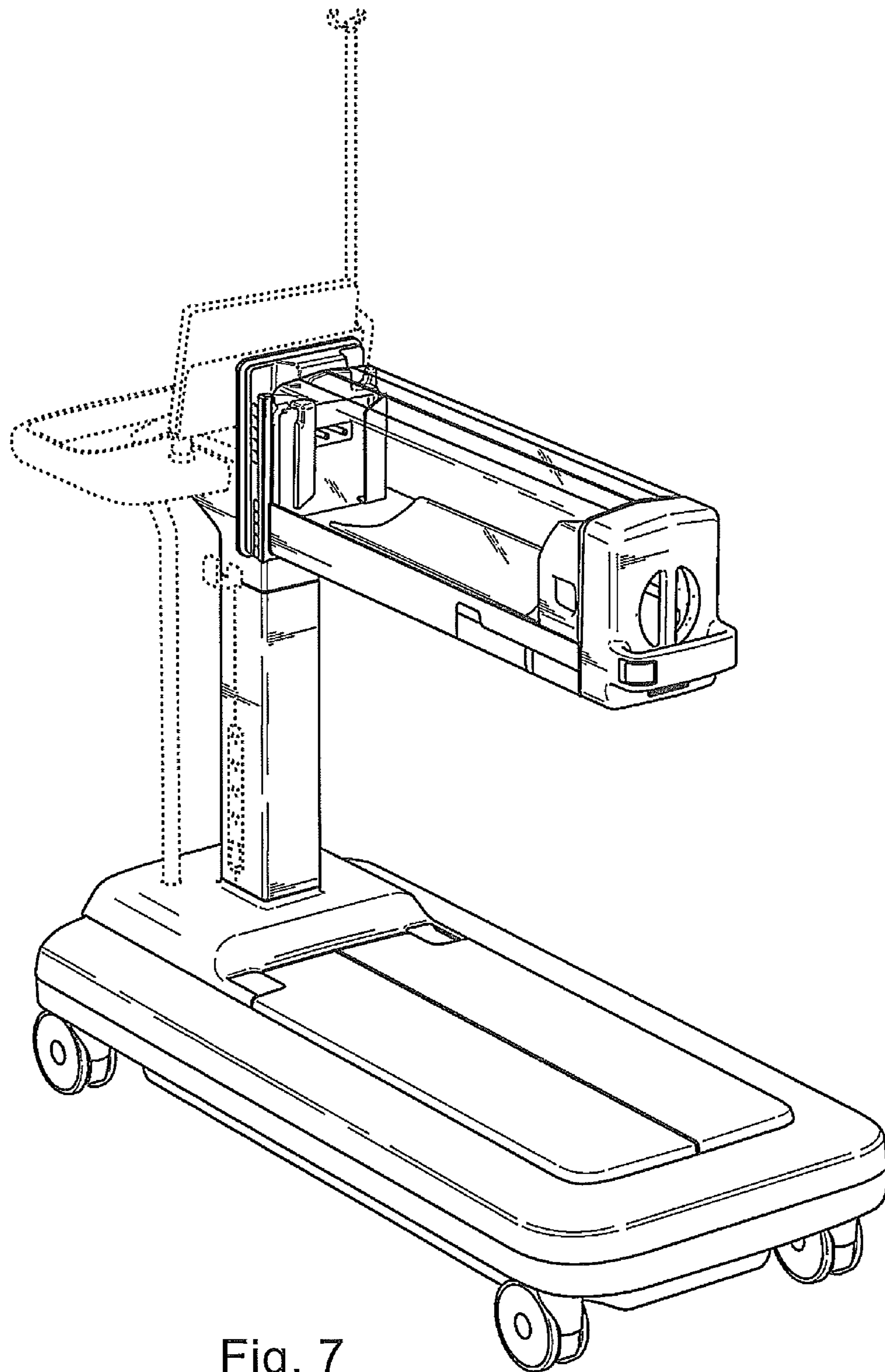


Fig. 7