



US00D791326S

(12) **United States Design Patent** (10) **Patent No.:** **US D791,326 S**  
**Olson et al.** (45) **Date of Patent:** **\*\* Jul. 4, 2017**

(54) **IMPLANTABLE FIDUCIAL MARKER**  
(71) Applicants: **Timothy J. Olson**, St. Paul, MN (US);  
**Kristina M. Wittchow**, Burnsville, MN  
(US); **Dean A. Klein**, North Oaks, MN  
(US)

(72) Inventors: **Timothy J. Olson**, St. Paul, MN (US);  
**Kristina M. Wittchow**, Burnsville, MN  
(US); **Dean A. Klein**, North Oaks, MN  
(US)

(73) Assignee: **Carbon Medical Technologies, Inc.**,  
St. Paul, MN (US)

(\*\*) Term: **15 Years**

(21) Appl. No.: **29/554,343**

(22) Filed: **Feb. 10, 2016**

(51) **LOC (10) Cl.** ..... **24-01**

(52) **U.S. Cl.**  
USPC ..... **D24/158**

(58) **Field of Classification Search**  
USPC ..... D24/158-161, 186, 231, 140, 155-157,  
D24/680-682; 378/162-165; 600/414,  
600/420, 426  
CPC ..... A61N 2005/1051; A61B 90/39  
See application file for complete search history.

(56) **References Cited**

U.S. PATENT DOCUMENTS

6,725,083 B1 \* 4/2004 Burbank ..... A61K 49/006  
600/414  
D528,211 S \* 9/2006 Solar ..... D24/158

2008/0033286 A1\* 2/2008 Whitmore ..... A61B 90/39  
600/426  
2008/0234572 A1\* 9/2008 Jones ..... A61B 90/39  
600/426  
2014/0243655 A1\* 8/2014 Goodwin ..... A61B 5/055  
600/414

\* cited by examiner

*Primary Examiner* — Anhdao Doan

(74) *Attorney, Agent, or Firm* — Moore & Hansen,  
PLLC; Robert C. Freed

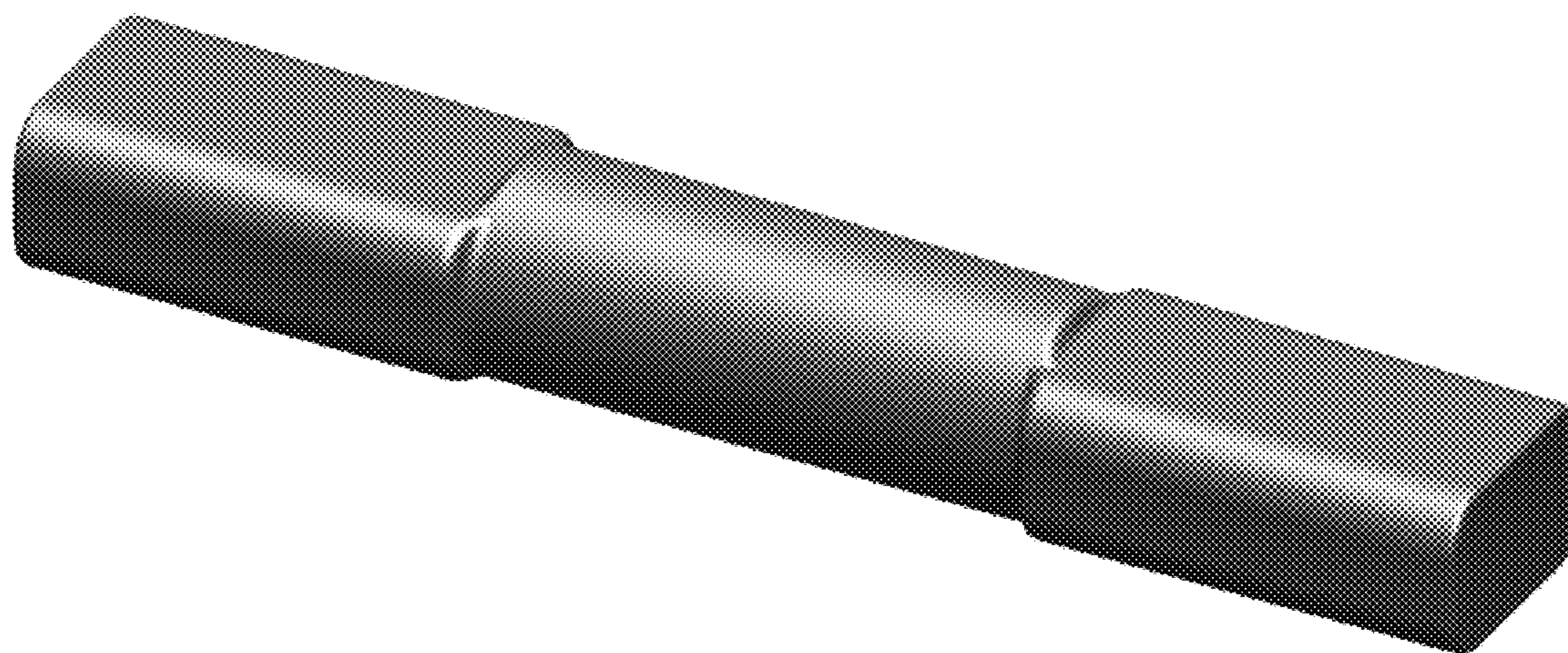
(57) **CLAIM**

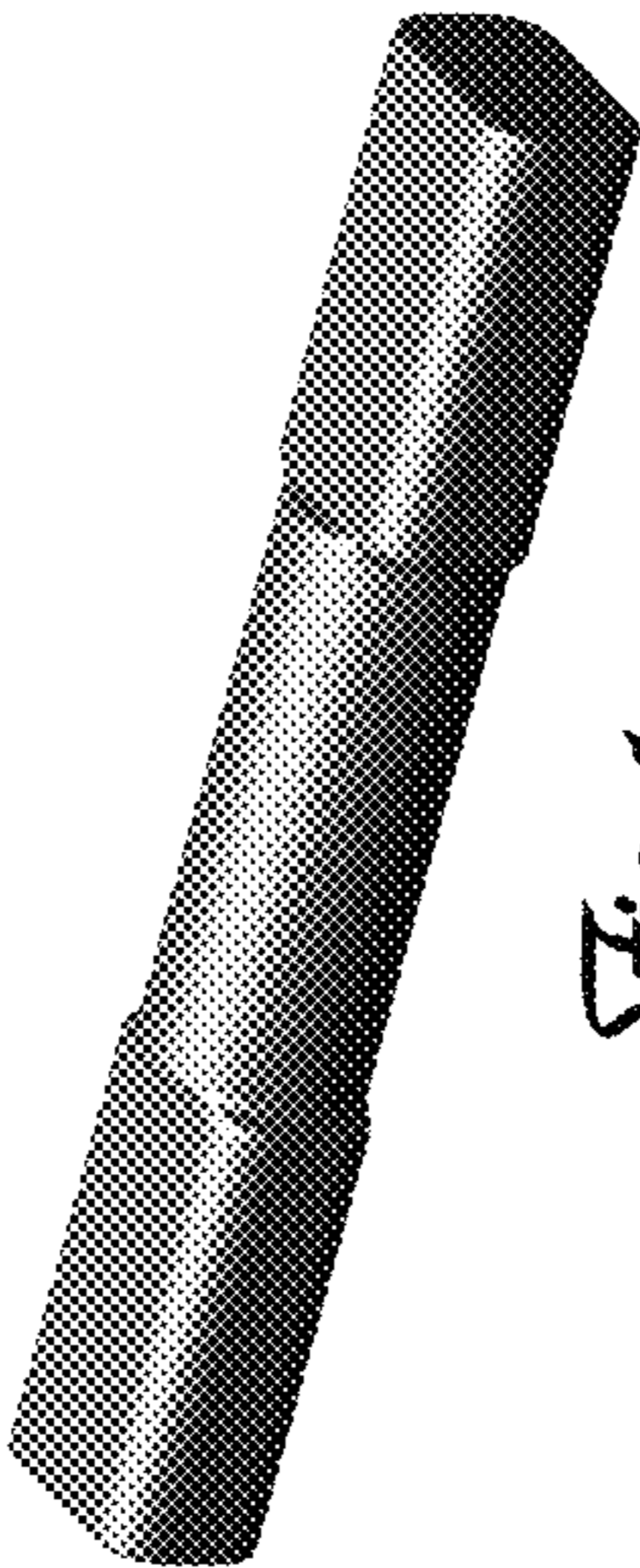
The ornamental design for an implantable fiducial marker, as shown and described.

**DESCRIPTION**

FIG. 1 is a perspective view of an implantable fiducial marker showing our new design;  
FIG. 2 is a front elevational view thereof, which is identical to the rear elevational view thereof;  
FIG. 3 is a top plan view thereof, which is identical to the bottom plan view thereof; and,  
FIG. 4 is a left side elevational view thereof, which is identical to the right side elevational view thereof.

**1 Claim, 1 Drawing Sheet**

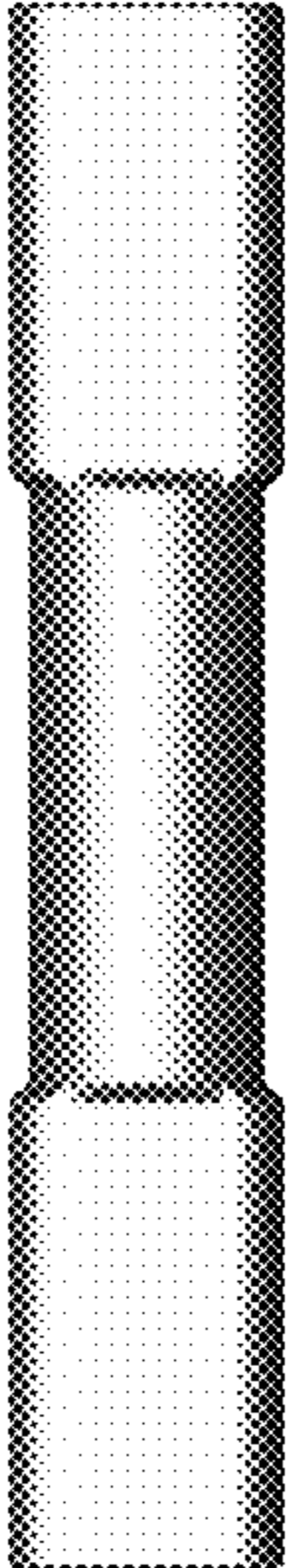




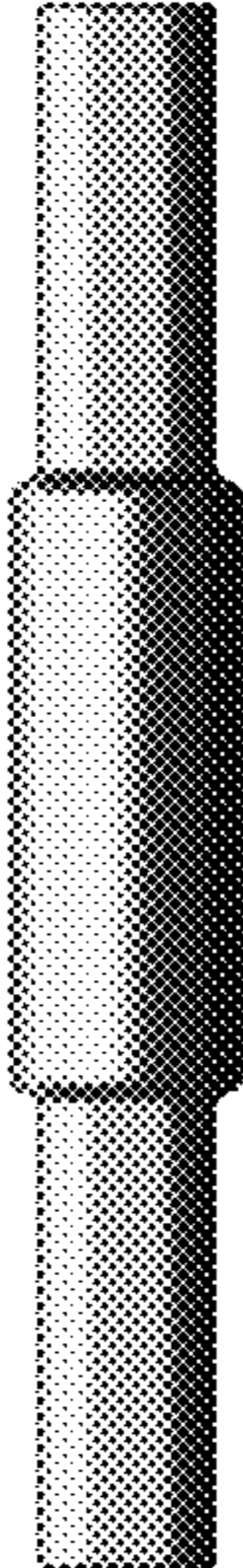
*Fig. 1*



*Fig. 2*



*Fig. 3*



*Fig. 4*