



US00D791324S

(12) **United States Design Patent**
Kim

(10) **Patent No.:** **US D791,324 S**

(45) **Date of Patent:** **** Jul. 4, 2017**

(54) **X-RAY APPARATUS**

(71) Applicant: **Samsung Electronics Co., Ltd.**,
Suwon-si (KR)

(72) Inventor: **Euisik Kim**, Seoul (KR)

(73) Assignee: **Samsung Electronics Co., Ltd.**,
Suwon-si (KR)

(**) Term: **15 Years**

(21) Appl. No.: **29/551,245**

(22) Filed: **Jan. 12, 2016**

(30) **Foreign Application Priority Data**

Sep. 8, 2015 (KR) 30-2015-0045554

(51) **LOC (10) Cl.** **24-01**

(52) **U.S. Cl.**
USPC **D24/158**

(58) **Field of Classification Search**
USPC D24/158-161, 186, 107, 185; D6/708,
D6/712

CPC .. A61B 5/05; A61B 5/055; A61B 6/03; A61B
6/035; A61B 6/4405; A61B 6/4411; A61B
6/4435; A61B 6/4441; A61B 6/4447

See application file for complete search history.

(56) **References Cited**

U.S. PATENT DOCUMENTS

D657,875 S * 4/2012 Yanase D24/158
D671,217 S * 11/2012 Moon D24/158
D690,011 S * 9/2013 Yanase D24/158
D690,012 S * 9/2013 Yanase D24/158

D710,013 S * 7/2014 Li D24/158
D713,037 S * 9/2014 Sul D24/158
D715,941 S * 10/2014 Li D24/158
D767,139 S * 9/2016 Liu D24/158
2010/0329426 A1* 12/2010 Oda A61B 6/4405
378/98.2
2013/0136240 A1* 5/2013 Causape
Rodriguez A61B 6/4405
378/198
2014/0233703 A1* 8/2014 Omura A61B 6/4405
378/98
2016/0120489 A1* 5/2016 Yang A61B 6/4405
378/62
2016/0199013 A1* 7/2016 Moreno Vallejo ... A61B 6/4405
378/194

* cited by examiner

Primary Examiner — Anhdao Doan

(74) *Attorney, Agent, or Firm* — NSIP Law

(57) **CLAIM**

I claim the ornamental design for an x-ray apparatus, as shown and described.

DESCRIPTION

FIG. 1 is a front perspective view of an x-ray apparatus showing my new design;

FIG. 2 is a front view thereof;

FIG. 3 is a rear view thereof;

FIG. 4 is a left-side view thereof;

FIG. 5 is a right-side view thereof;

FIG. 6 is a top view thereof; and,

FIG. 7 is a bottom view thereof.

The broken lines in the figures depict portions of the x-ray apparatus which form no part of the claimed design.

1 Claim, 7 Drawing Sheets

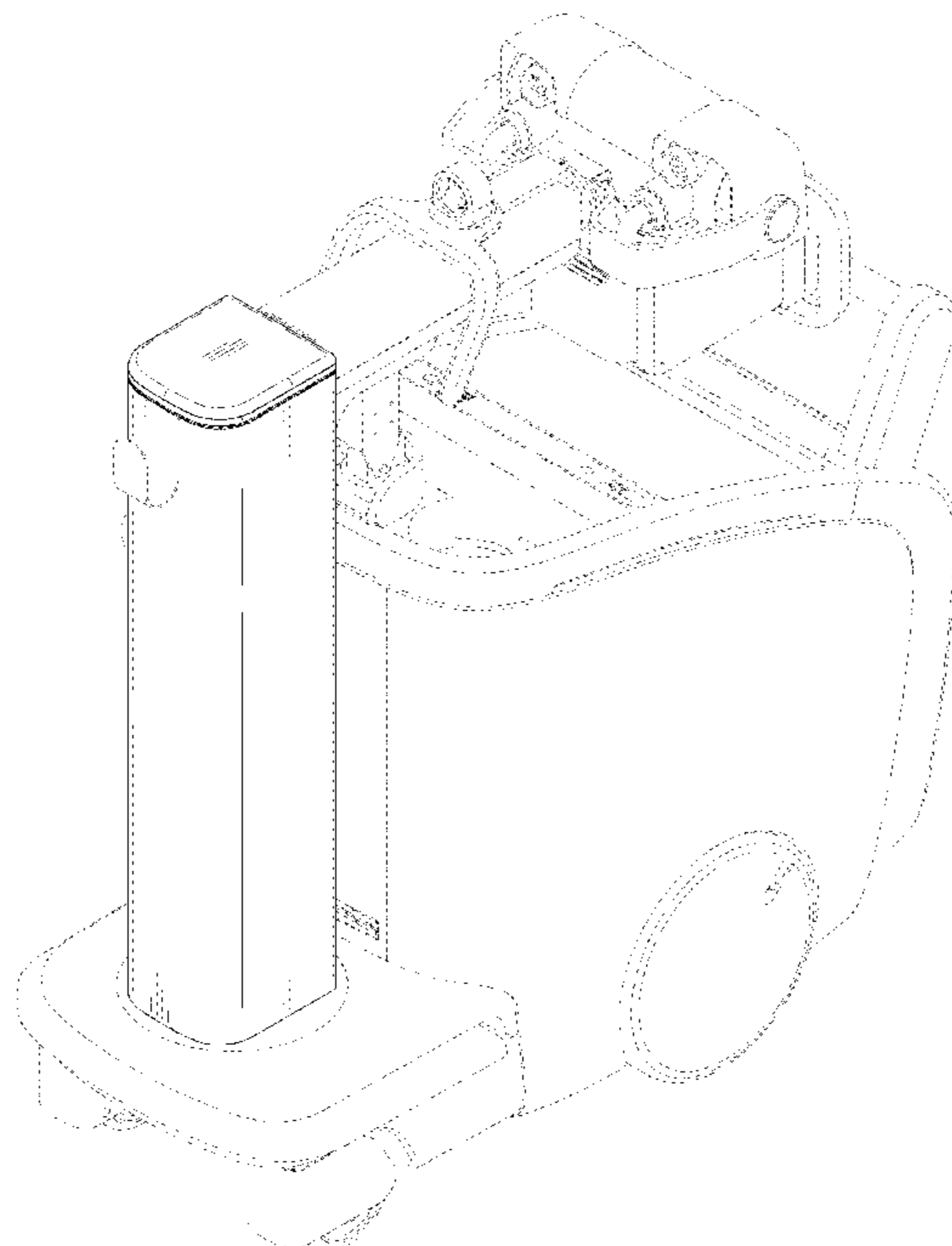


FIG. 1

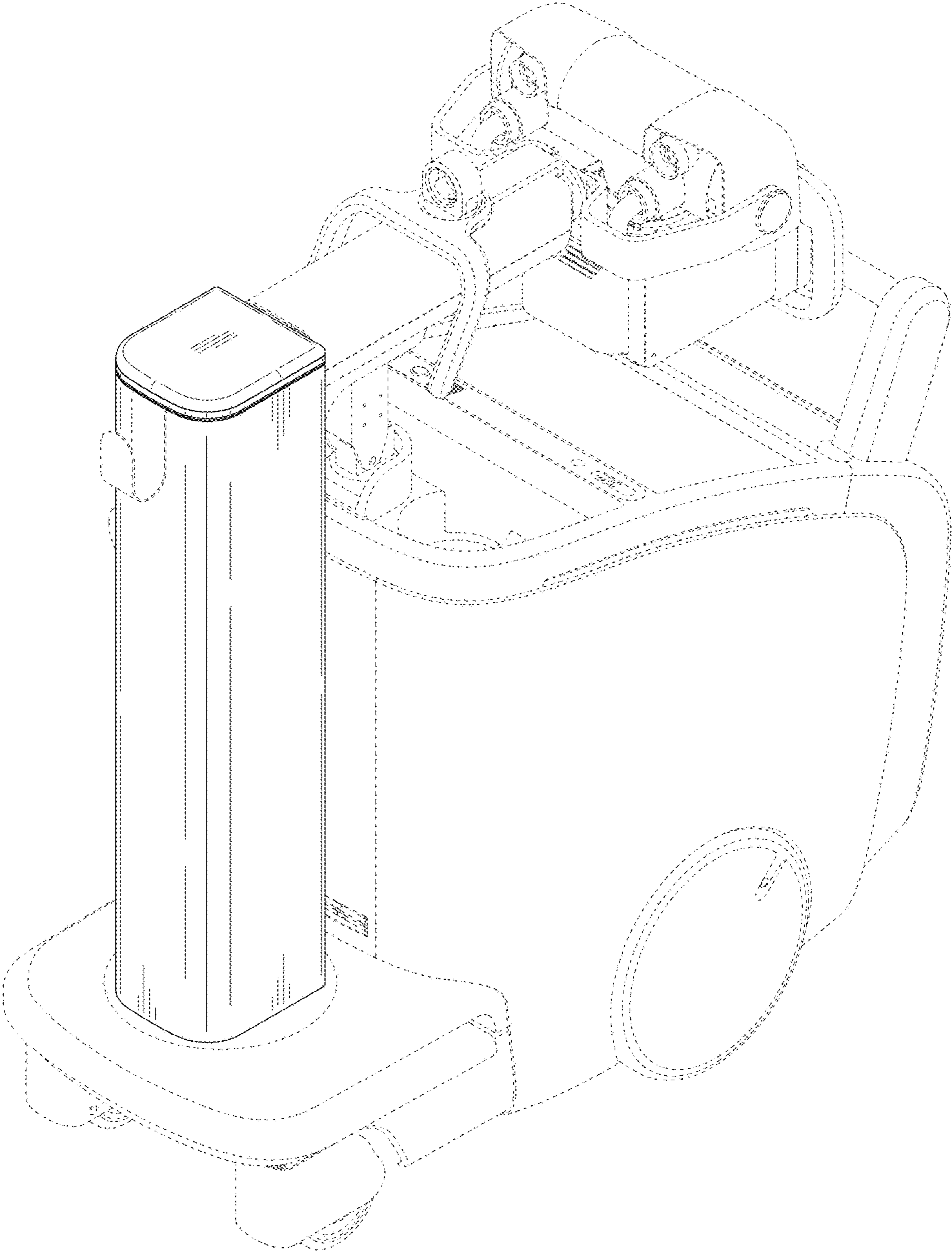


FIG. 2

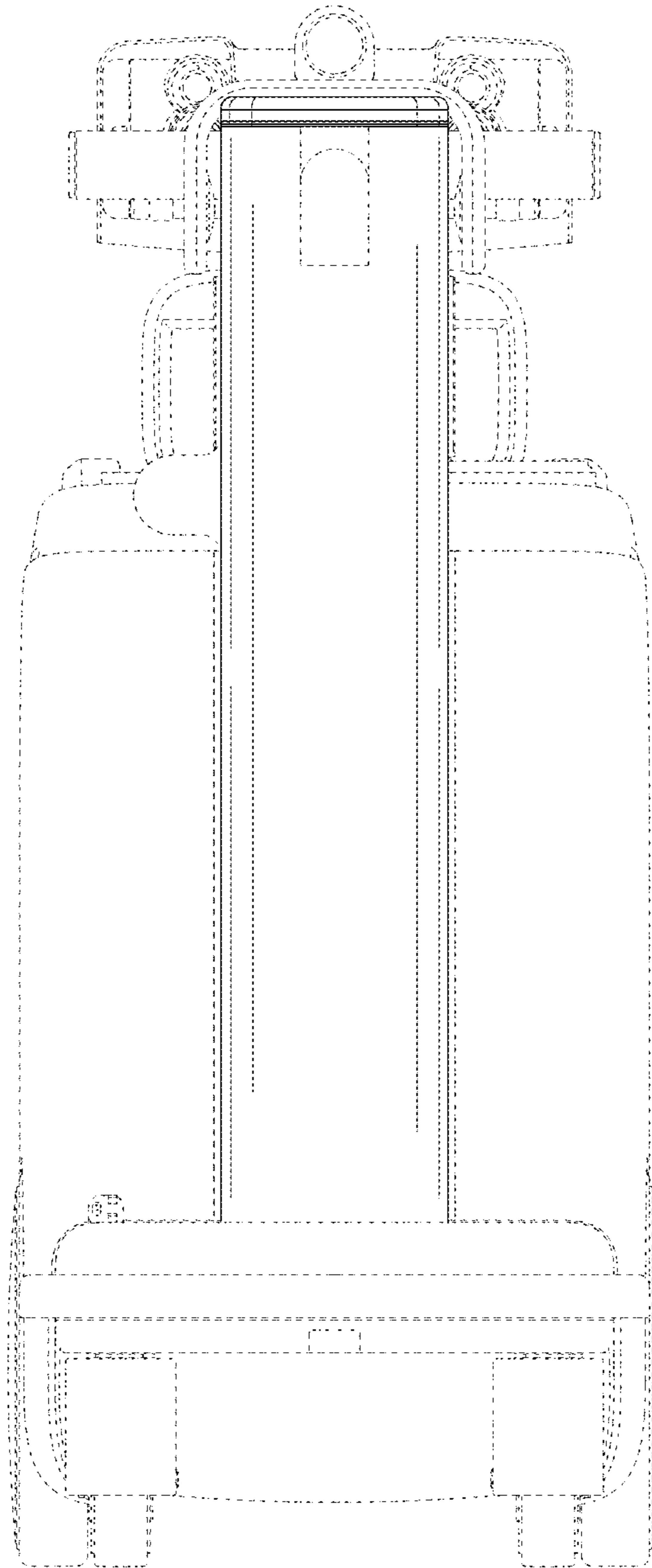


FIG. 3

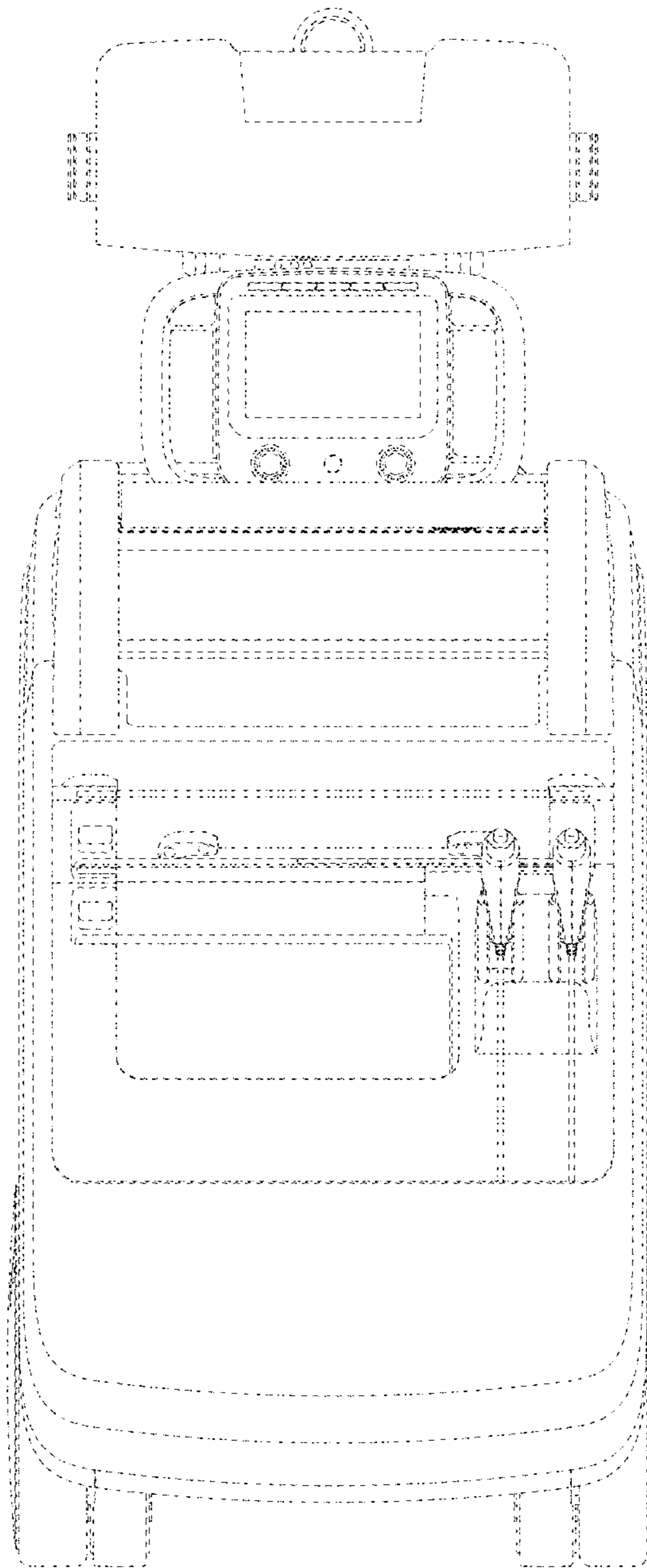


FIG. 4

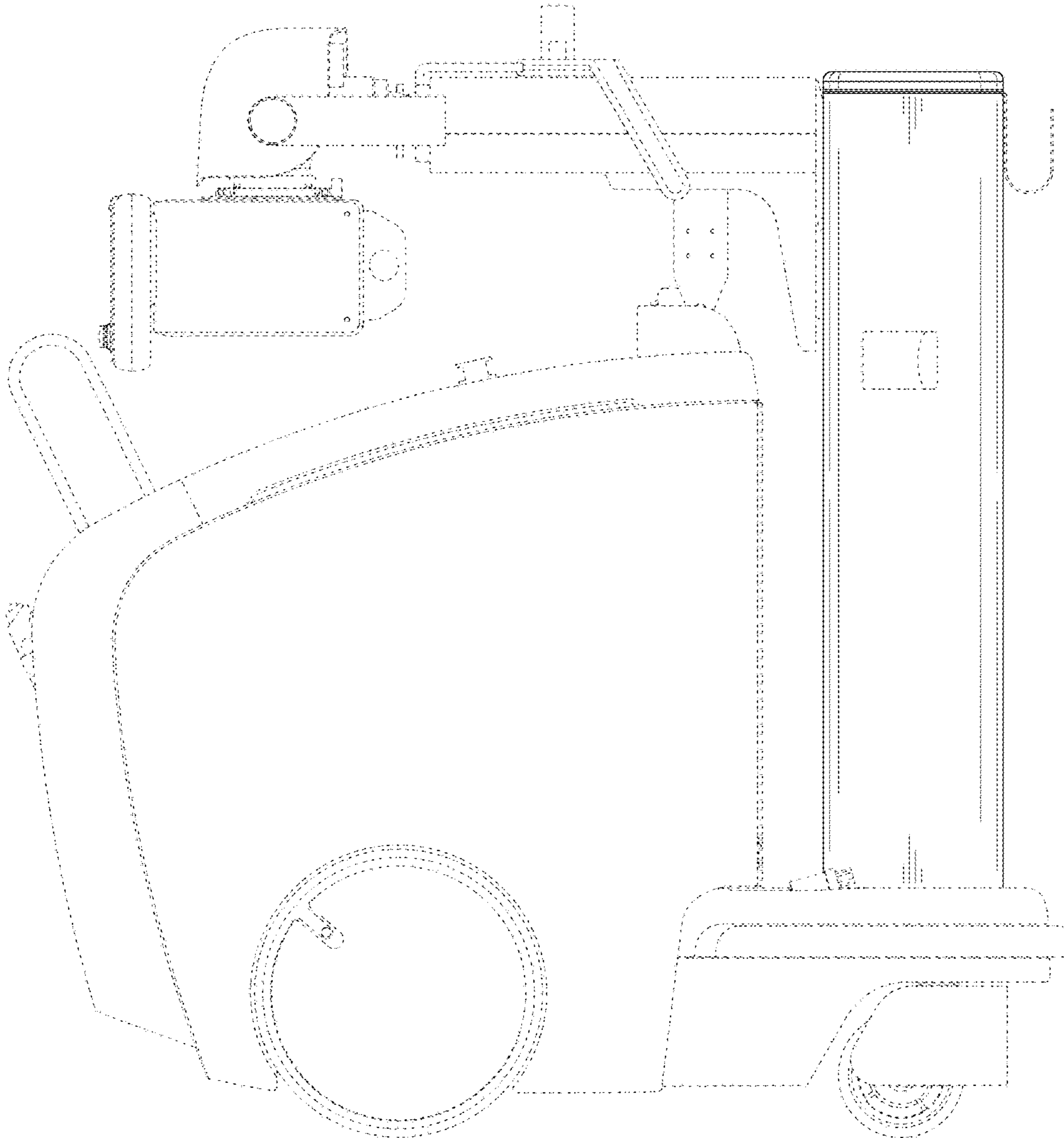


FIG. 5

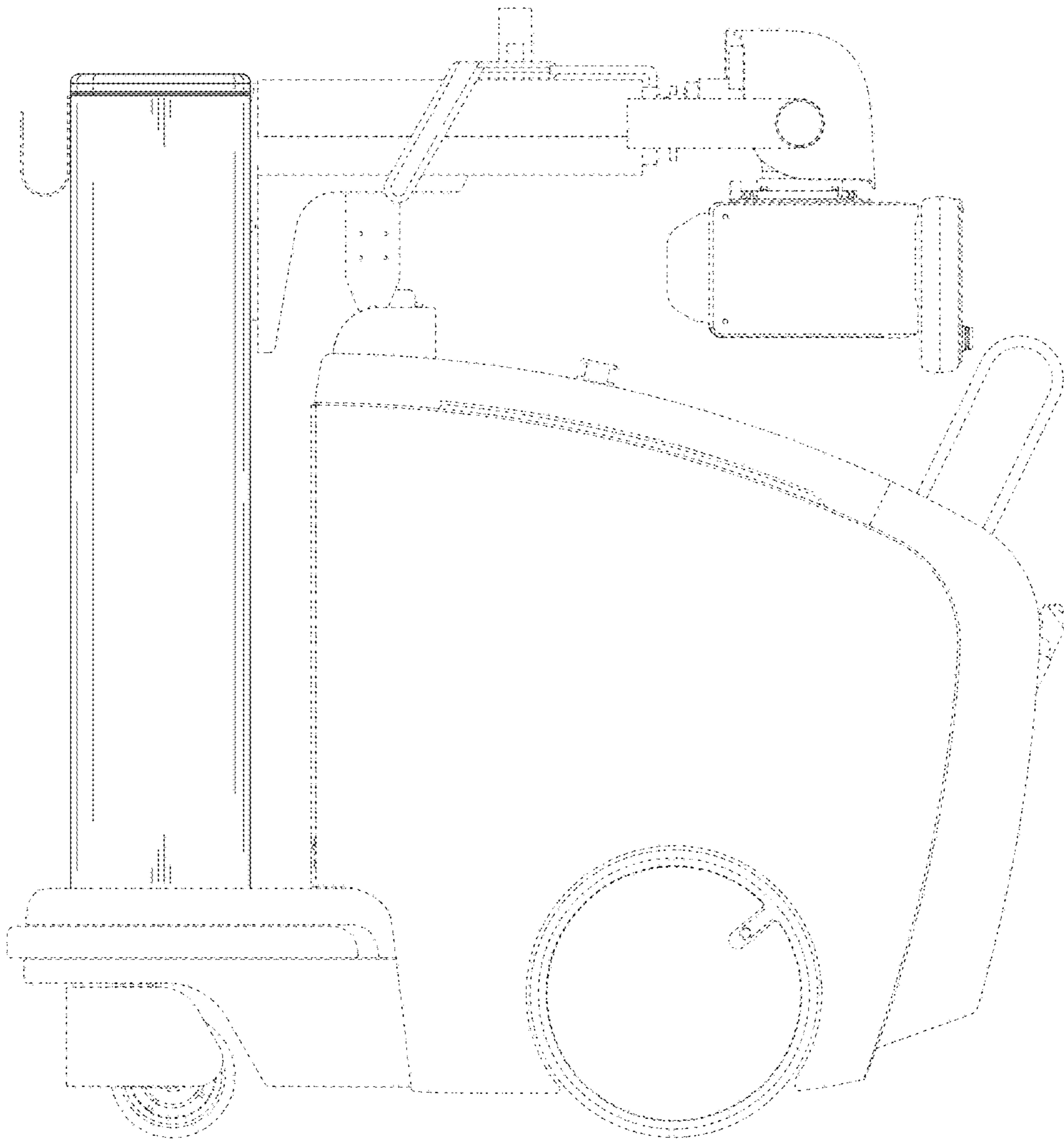


FIG. 6

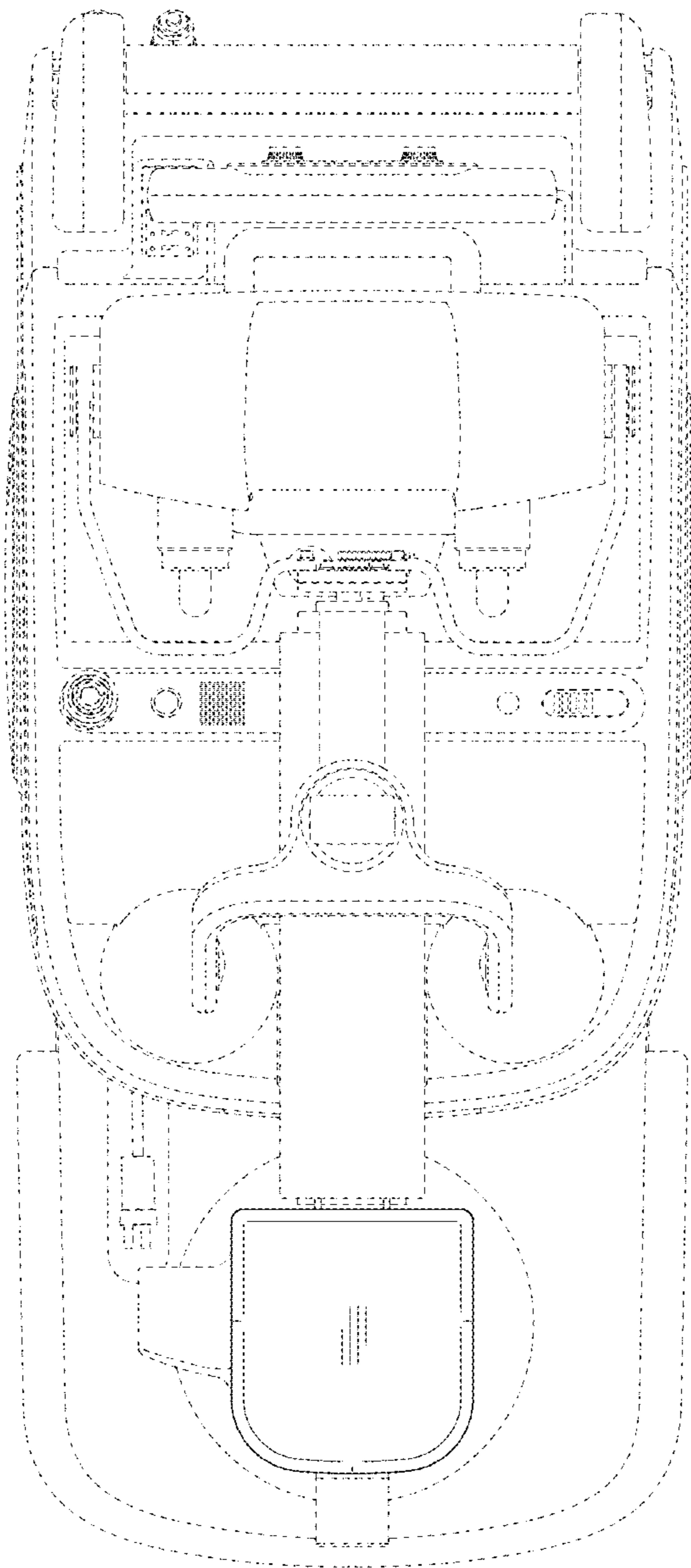


FIG. 7

